

**ARMY TM 11-6625-3241-40  
MARINE CORPS TM 09045B-40/2**

---

**TECHNICAL MANUAL**

**GENERAL SUPPORT  
MAINTENANCE MANUAL  
FOR**

**OSCILLOSCOPE OS-291/G  
(TEKTRONIX MODEL 2430A)  
(NSN 6625-01-258-0022)**

Distribution is authorized to Department of Defense and DOD contractors only for official use or for administration or operational purposes. This determination was made on 27 August, 1988. Other requests for this document will be referred to Commander, US Army Communications-Electronics Command and Fort Monmouth, ATTN: AMSEL-LC-LM-LT, Fort Monmouth, NJ 07703-5000.

**DESTRUCTION NOTICE** – Destroy by any method that will prevent disclosure of contents or reconstruction of the document.

---

**HEADQUARTERS, DEPARTMENT OF THE ARMY**

**1 MARCH 1991**



(This manual includes copyright material reproduced by permission of TEKTRONIX, Inc.)

Technical Manual  
No. 11-6625-3241-40  
Technical Manual  
No. 09045B-40/2

DEPARTMENT OF THE ARMY  
AND HEADQUARTERS, MARINE CORPS  
Washington, DC, 1 March 1991

**GENERAL SUPPORT MAINTENANCE MANUAL**

**FOR**

**OSCILLOSCOPE OS-291/G**

**(TEKTRONIX MODEL 2430A)**

**(NSN 6625-01-258-0022)**

**REPORTING ERRORS AND RECOMMENDING IMPROVEMENTS**

You can help improve this manual. If you find any mistakes or if you know of a way to improve the procedures, please let us know. Mail your letter, DA Form 2028 (Recommended Changes to Publications and Blank Forms), or DA Form 2028-2 located in the back of this manual direct to: Commander, U.S. Army Communication-Electronics Command, ATTN: AMSEL-LC-LM-LT, Fort Monmouth, New Jersey 07703-5000. Marine Corps units, submit NAVMC 10772 (Recommended Changes to Technical Publications) to: Commanding General, Marine Corps Logistics Base (Code 850) Albany, Georgia 31704-5000. In either case, a reply will be furnished to you.

This manual is an authentication of the manufacturer's commercial literature which, through usage, has been found to cover the data required to operate and maintain this equipment. Since the manual was not prepared in accordance with military specifications, the format has not been structured to consider levels of maintenance.





## TABLE OF CONTENTS

		Page
SECTION 0	INTRODUCTION .....	0-1
	Scope .....	0-1
	Consolidated Index of Army Publications and Blank Forms .....	0-1
	Maintenance Forms, Records, and Reports .....	0-1
	Reporting Equipment improvement Recommendations (EIR) .....	0-1
	Administrative Storage .....	0-1
	Destruction of Army Electronics Materiel to Prevent Enemy Use .....	0-1
SECTION 1	SPECIFICATION .....	1-1
	Introduction .....	1-1
	Vertical System .....	1-1
	Horizontal System .....	1-1
	Trigger System .....	1-1
	Cursor Measurements .....	1-2
	Waveform Acquisition .....	1-2
	Storage and I/O .....	1-3
	Extended Features .....	1-3
	Performance Conditions .....	1-3
	Recommended Adjustments Schedule .....	1-3
SECTION 2	PREPARATION FOR USE .....	2-1
	Safety .....	2-1
	Line Voltage Selection .....	2-1
	Line Fuse .....	2-2
	Power Cord .....	2-2
	Instrument Cooling .....	2-2
	Start-up .....	2-2
	Power-down .....	2-3
	Repackaging For Shipment .....	2-3
SECTION 3	THEORY OF OPERATION .....	3-1
	Section Organization .....	3-1
	integrated Circuit Descriptions .....	3-1
	Simplified Block Diagram Description .....	3-2
	Detailed Block Diagram Description .....	3-8
	introduction .....	3-8
	input Signal Conditioning and Analog Sampling .....	3-8
	Acquisition Process and Control .....	3-9

**TABLE OF CONTENTS-CONT**

	Page	
SECTION 3	THEORY OF OPERATION-CONT	
	Detailed Block Diagram Description-CONT	
	Data Clocking to Acquisition Memory . . . . .	3-10
	Analog Data Conditioning and A/D Conversion . . . . .	3-11
	Acquisition Processing and Display . . . . .	3-12
	Detailed Circuit Description . . . . .	3-14
	System Processor . . . . .	3-14
	Waveform Processor System., . . . . .	3-21
	Front Panel Processor . . . . .	3-26
	Front Panel . . . . .	3-28
	System DAC And Acquisition Control Registers . . . . .	3-29
	System DAC (Cont) and Auxiliary Front Panel . . . . .	3-31
	System Clocks . . . . .	3-32
	Time Base Controller and Acquisition Memory . . . . .	3-36
	Attenuators and Preamps . . . . .	3-40
	Peak Detectors and CCD/Clock Drivers . . . . .	3-42
	Triggers and Phase Clocks . . . . .	3-47
	Jitter Correction Ramps . . . . .	3-52
	Trigger Holdoff, Jitter Counters, and Calibrator . . . . .	3-53
	CCD Output . . . . .	3-56
	A/D Converter and Acquisition Latches . . . . .	3-57
	Display and Attributes Memory . . . . .	3-59
	Display Control . . . . .	3-61
	Display Output . . . . .	3-67
	High-Voltage Supply and CRT . . . . .	3-70
	System I/O . . . . .	3-74
	Low-Voltage Power Supply . . . . .	3-77
	Low-Voltage Regulators . . . . .	3-82
SECTION 4	PERFORMANCE CHECK AND FUNCTIONAL VERIFICATION PROCEDURE .	4-1
	Introduction . . . . .	4-1
	Preparation . . . . .	4-1
	Initial Setup . . . . .	4-3
	Vertical System . . . . .	4-5
	Triggering Systems . . . . .	4-14
	Horizontal System . . . . .	4-21
	Additional Verifications and Checks . . . . .	4-24

## TABLE OF CONTENTS—CONT

		Page
SECTION 5	ADJUSTMENT PROCEDURE .....	5-1
	Introduction .....	5-1
	Calibration Sequence and Partial Procedures .....	5-1
	Warm-up Time Requirements .....	5-1
	Preservation of Instrument Calibration .....	5-2
	Internal Adjustments .....	5-3
	Self Calibration .....	5-10
SECTION 6	MAINTENANCE .....	6-1
	Instrument Calibration .....	6-1
	National Bureau of Standards Traceability .....	6-2
	Voiding Calibration .....	6-2
	Static-sensitive Components.....	6-3
	Preventive Maintenance .....	6-4
	Introduction .....	6-4
	General Care .....	6-4
	inspection and Cleaning .....	6-4
	Lubrication .....	6-6
	Semiconductor Checks .....	6-6
	Periodic Readjustment .....	6-6
	Troubleshooting .....	6-7
	Introduction .....	6-7
	Troubleshooting Aids .....	6-7
	Troubleshooting Equipment .....	6-8
	Troubleshooting Techniques.....	6-8
	Corrective Maintenance .....	6-11
	Introduction .....	6-11
	Maintenance Precautions .....	6-11
	Selectable Components .....	6-11
	Maintenance Aids .....	6-11
	Interconnections .....	6-11
	Transistors and integrated Circuits .....	6-13
	Soldering Techniques .....	6-13
	Removal and Replacement Procedure .....	6-14

## TABLE OF CONTENTS-CONT

SECTION 6	MAINTENANCE-CONT	
	Internal Diagnostics and Calibration Routines .....	6-23
	Introduction .....	6-23
	Overview .....	6-23
	Calibration Routines .....	6-23
	Diagnostic Routines .....	6-25
	Diagnostics Operation via the GPIB Interface .....	6-31
	Diagnostic Procedures .....	6-32
	Front Panel Settings for Init Panel .....	6-97
APPENDIX A	REFERENCES .....	A-1
APPENDIX B	EXPENDABLE SUPPLIES AND MATERIALS LIST .....	B-1
INDEX .....		Index-1

## LIST OF ILLUSTRATIONS

Number	Title	Page
1-1	Oscilloscope OS-291/G . . . . .	1-0
2-1	LINE VOLTAGE SELECTOR, line fuse, and power cord receptacle . . . . .	2-1
3-1	Oscilloscope OS-291/G simplified block diagram . . . . .	3-3
3-2	Simplified Memory Map of the OS-291/G . . . . .	3-17
3-3	System Clock waveforms . . . . .	3-34
3-4	Simplified Peak Detector block diagram . . . . .	3-43
3-5	Simplified CCD architecture . . . . .	3-46
3-6	Trigger Logic Array Control Data Byte . . . . .	3-49
3-7	Jitter correction waveforms . . . . .	3-53
3-8	Readout State Machine flow chart . . . . .	3-66
3-9	Vertical Vector Generator . . . . .	3-68
3-10	DC Restorer . . . . .	3-72
3-11	GPIB data flow diagram . . . . .	3-75
3-12	GPIB three-wire handshake state diagram . . . . .	3-76
3-13	PWM Regulator and Inverter. . . . .	3-79
3-14	PWM switching waveforms . . . . .	3-80
5-1	Adjustment locations for Displays 4 through 6 . . . . .	5-4
5-2	Display 5–Vertical and Horizontal Gain, Offset, and Vector Compensation adjustments pattern . . . . .	5-5
5-3	Integrator Time adjustment pattern . . . . .	5-6
6-1	Multipin connector . . . . .	6-8
6-2	Circuit Board Location. . . . .	6-15
6-3	Installation sequence for installing the CRT frame screws. . . . .	6-21
6-4	Trigger LED binary coding for diagnostic tests. . . . .	6-26
6-5	Main EXT DIAG menu . . . . .	6-27
6-6	Initial Troubleshooting Chart.... . . . .	6-33
6-7	Mux Test waveforms . . . . .	6-38
6-8	Typical Register test waveforms. . . . .	6-51
6-9	Front Panel Microprocessor diagnostics test. . . . .	6-74
6-10	System Processor data bit D7 in the Bus isolate mode. . . . .	6-95
FO-1	Block Diagram . . . . .	FP-1
FO-2	Circuit Board Interconnection Diagram . . . . .	FP-5
FO-3	Chassis Parts, Test Equipment, and Setups for Test Waveforms and Voltage Measurements . . . . .	FP-9

**LIST OF ILLUSTRATIONS-CONT**

Number	Title	Page
FO-4	A12 Processor Board Component Locator . . . . .	FP-11
FO-5	System Processor Schematic . . . . .	FP-15
FO-6	Waveform Processor Schematic . . . . .	FP-19
FO-7	A13 Side Board Component Locator . . . . .	FP-23
FO-8	Front Panel Processor Schematic . . . . .	FP-25
FO-9	A14 Front Panel Board and A18 Scale Illumination Board Component Locator . . . . .	FP-29
FO-10	Front Panel Schematic . . . . .	FP-31
FO-11	A10 Main Board Component Locator . . . . .	FP-35
FO-12	Acquisition Control Registers and System DAC Schematic . . . . .	FP-41
FO-13	Auxiliary Front Panel and System DAC Schematic . . . . .	FP-45
FO-14	All Time Base/Display Board Component Locator . . . . .	FP-49
FO-15	System Clocks Schematic . . . . .	FP-53
FO-16	Time Base Controller and Acquisition Memory Schematic . . . . .	FP-57
FO-17	Attenuators and Preamps Schematic . . . . .	FP-61
FO-18	Peak Detectors and CCD/Clock Drivers Schematic . . . . .	FP-65
FO-19	Triggers and Phase Clocks Schematic . . . . .	FP-69
FO-20	Jitter Correction Ramps Schematic . . . . .	FP-73
FO-21	Trigger Holdoff, Jitter Counters and Calibrator Schematic . . . . .	FP-77
FO-22	CCD Output Schematic . . . . .	FP-81
FO-23	A/D Converter and Acquisition Latches Schematic . . . . .	FP-85
FO-24	Display and Attributes Memory Schematic . . . . .	FP-89
FO-25	Display Control Schematic . . . . .	FP-93
FO-26	Display Output Schematic . . . . .	FP-97
FO-27	A17 High Voltage Board Component Locator . . . . .	FP-103
FO-28	High Voltage Supply and CRT Schematic . . . . .	FP-105
FO-29	System I/O Schematic . . . . .	FP-109
FO-30	A16 Low Voltage Power Supply Board Component Locator . . . . .	FP-113
FO-31	Low Voltage Power Supply Schematic . . . . .	FP-115
FO-32	Low Voltage Regulators Schematic . . . . .	FP-121
FO-33	Power Supply Troubleshooting . . . . .	FP-125
FO-34	Display Troubleshooting . . . . .	FP-127
FO-35	System Clock Troubleshooting . . . . .	FP-129

## LIST OF TABLES

Number	Title	Page
1-1	Electrical, Environmental, and Mechanical Characteristics . . . . .	1-4
3-1	Host Memory-Mapped I/O . . . . .	3-19
3-2	Processor Control Register Functions . . . . .	3-20
3-3	Processor Miscellaneous Output Register (PMISCOUT) Functions . . . . .	3-20
3-4	Waveform Processor Address Decoding . . . . .	3-24
3-5	Trigger Logic ArrayAddresses (6080h-6087h) . . . . .	3-48
3-6	REF4/5 Frequency for Each SEC/DIV Setting . . . . .	3-50
3-7	Phase Clock Array Control Lines (CC3 through CCO) . . . . .	3-51
3-8	Holdoff Delay Range for Current Source vs Charging Capacitor Combinations . . . . .	3-54
3-9	Side Board Address Decoding.. . . . .	3-56
4-1	Cross Reference for Test Equipment . . . . .	4-2
4-2	Accuracy Limits CH 1 and CH 2 CURSOR VOLTS Readout and A and B TRIGGER Readouts . . . . .	4-8
4-3	Minimum Display Level for CH 1 or CH 2 Triggering (in divisions) . . . . .	4-15
4-4	Minimum Signal Level for EXT1 or EXT 2 Triggering (in millivolts) . . . . .	4-17
6-1	Relative Susceptibility to Static-Discharge Damage . . . . .	6-3
6-2	External Inspection Checklist. . . . .	6-4
6-3	Internal Inspection Checklist.. . . . .	6-5
6-4	Power Supply Voltage and Ripple Limits . . . . .	6-10
6-5	Maintenance Aids . . . . .	6-12
6-6	OS-291/G Troubleshooting Procedures . . . . .	6-34
6-7	INIT PANEL State . . . . .	6-97





# Section 0 INTRODUCTION

## SCOPE

This manual contains instructions for the General Support Maintenance of the Oscilloscope OS-291/G. Throughout this manual, the oscilloscope is referred to as the instrument, the Tektronix 2430A, or the OS-291/G.

## CONSOLIDATED INDEX OF ARMY PUBLICATIONS AND BLANK FORMS

Refer to the latest issue of DA PAM 25-30 to determine whether there are new additions, changes, or additional publications pertaining to this equipment.

## MAINTENANCE FORMS, RECORDS, AND REPORTS

*a. Report of Maintenance and Unsatisfactory Equipment.* Department of the Army forms and procedures used for equipment maintenance will be those prescribed by DA PAM 738-750 as contained in Maintenance Management Update. Marine Corps maintains forms and procedures as prescribed by TM4700-15/1.

*b. Report of Item and Packaging Deficiencies.* Fill out and forward SF 364 (Report of Discrepancy (ROD)) as prescribed in AR 735-11-2/DLAR 4140.55/SECNAVINST 4355.18/AFR 400-54/MCO 4430.3J.

*c. Transportation Discrepancy Report (TDR) (SF 361).* Fill out and forward Transportation Discrepancy Report (TDR) (SF 361) as prescribed in AR 55-37/NAVSUPINST 4610.33C/AFR 75-18/MCO P4610.19D DLAR 4500.15.

## REPORTING EQUIPMENT IMPROVEMENT RECOMMENDATIONS (EIR)

*a. Army.* If your OS-291/G needs improvement, let us know. Send us an EIR. You, the user, are the only one who can tell us what you don't like about your equipment. Let us know why you don't like the design or performance. Put it on an SF 368 (Product Quality Deficiency Report). Mail it to us at: Commander, US Army Communications Electronics Command and Fort Monmouth, ATTN: AM-SEL-PA-MA-D, Fort Monmouth, New Jersey 07703-5000. We'll send you a reply.

*b. Marine Corps Users.* QDR shall be reported on SF 368 in accordance with MCO P4855.10, Product Quality Deficiency Report Manual. Submit to Commanding General, Marine Corps Logistics Base (Code 856), Albany, Georgia 31704-5000.

## ADMINISTRATIVE STORAGE

Administrative storage of equipment issued to and used by Army activities will have preventive maintenance performed in accordance with PMCS charts before storing. When removing the equipment from administrative storage the PMCS should be performed to ensure operational readiness.

## DESTRUCTION OF ARMY ELECTRONICS MATERIEL TO PREVENT ENEMY USE

Destruction of Army electronics materiel to prevent enemy use shall be in accordance with TM 750-244-2.

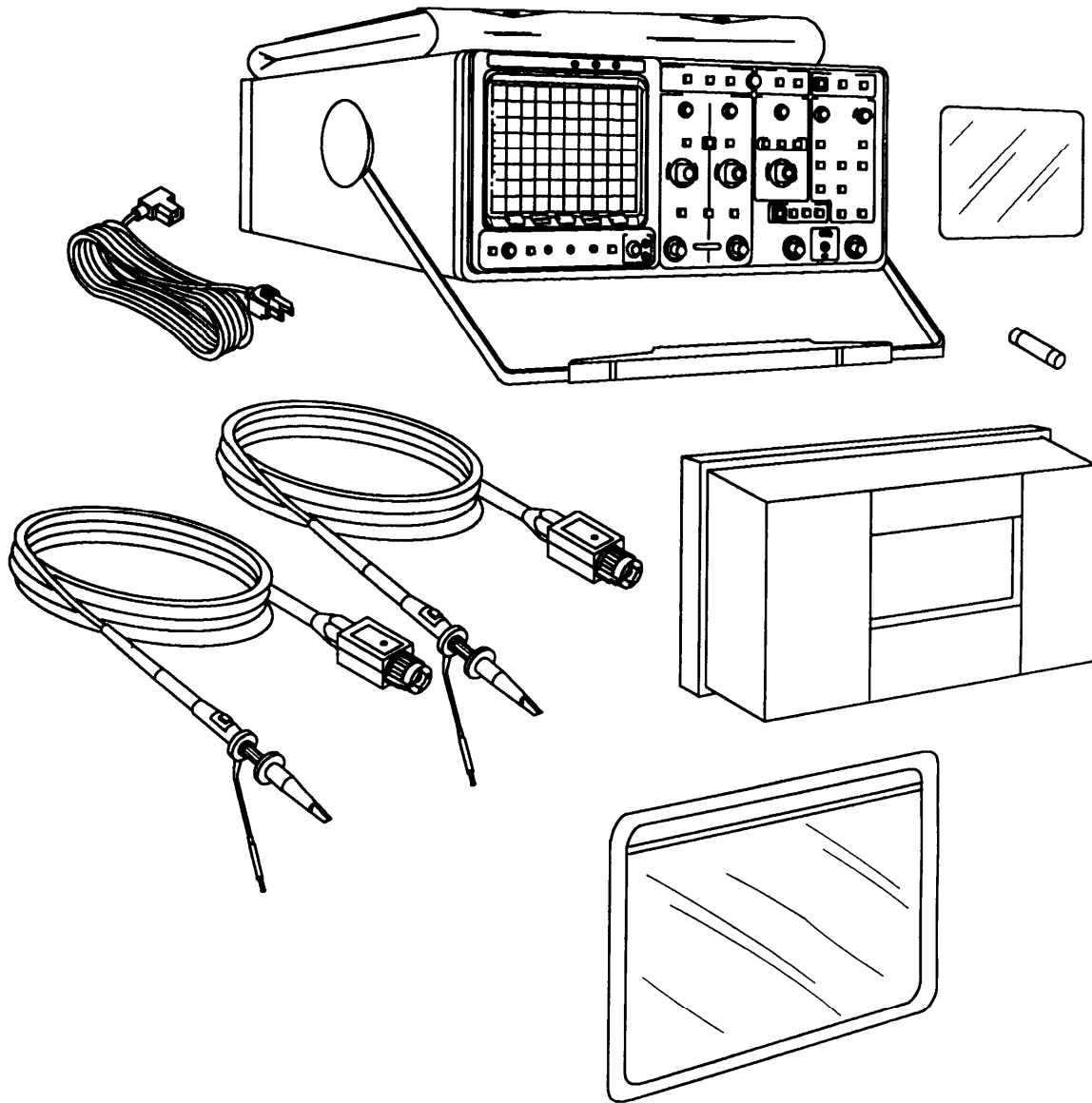


Figure 1-1. Oscilloscope OS-291/G.

# Section 1

# SPECIFICATION

## INTRODUCTION

The Tektronix 2430A Digital Oscilloscope is a portable, dual-channel instrument with a maximum digitizing rate of 100 Megasamples per second. The scope is capable of simultaneous acquisition of Channel 1 and Channel 2 input signals. It has a real-time useful storage bandwidth of 40 MHz for single-event acquisitions, with an equivalent-time bandwidth of 150 MHz when repetitive acquisitions are acquired. Since both channels are acquired simultaneously, the XY display is available to full bandwidth.

The instrument is microprocessor controlled and menu driven, displaying at the top of the screen alphanumeric CRT readouts of the vertical and horizontal scale factors, trigger levels, trigger sources and cursor measurements. Menus, displayed at the bottom of the CRT display, are used by the operator to select the operating mode.

A user makes decisions as to what operation and mode setup the instrument must have to make the measurement wanted and then selects the proper functions using a combination of front-panel buttons and the displayed menu.

Five menu buttons mounted on the CRT bezel are used to make selections from the entry choices displayed. The top line of the menu display usually contains the menu title, and the bottom line labels the buttons with the control functions they select. The selection is made (indicated by an underscoring of the menu label in the display) when the bezel button below the selected function is pressed. The menus, system operating modes, and auxiliary functions are described in chapter 2 of the Operators and Unit Maintenance manual.

## VERTICAL SYSTEM

The two vertical channels have calibrated deflection factors from 2 mV to 5 V per division in a 1-2-5 sequence of 14 steps. Use of coded probes having attenuation factors of 1X, 10X, 100X, and 1000X extends the minimum sensitivity to 5,000 V per division (with the 1000X probe) and the maximum sensitivity to 200  $\mu$ V per division (using a 1X probe in SAVE or AVERAGE expanded mode).

VOLTS/DIV readouts are automatically switched to display a correct scale factor when properly coded probes are attached. Each channel can be separately inverted. ADD and MULT are display functions provided by the processor system.

In SAVE mode, the waveforms maybe both horizontally and vertically repositioned, expanded horizontally and vertically, added to each other, or multiplied together for either XY or YT displays.

## HORIZONTAL SYSTEM

Horizontal display modes of A, A INTEN, and B Delayed are available. The time base has 28 calibrated SEC/DIV settings in a 1-2-5 sequence from 5 ns per division to 5 s per division. An External Clock mode is provided that accepts clocking signals from 1 MHz to 100 MHz.

The B Trace and the intensified zone on the A INTEN Trace may be delayed by time with respect to the A trigger, and a DELAY by EVENTS function permits the A display to be delayed by a selected number of B Trigger events. In the case of DELAY by EVENTS, the B Trigger SOURCE, COUPLING, SLOPE, and LEVEL controls define the nature of the signal needed to produce events Triggering. The number of events required to satisfy the delay may be set from 1 to 65,536, with a resolution of one event. The DELTA DELAY feature produces two independently settable delayed B Traces in DELAY by TIME.

## TRIGGER SYSTEM

The trigger system of the scope provides many features for selecting and processing a signal used in triggering the acquisition system. The conventional features of SOURCE selection, Trigger LEVEL control, Trigger SLOPE, Trigger MODE, and CPLG (coupling) include enhancements not normally found in a conventional oscilloscope.

The choices of VERT, CH1 or CH2, EXT1 or EXT2, LINE, and A\*B or WORD (16-bit data word recognition) are available as SOURCE selections for triggering A Horizontal Mode acquisitions. These sources for trigger signals provide a wide range of applications involving specialized triggering requirements. Except for A\*B (A AND B) and LINE (power-source frequency), the same Trigger SOURCE selections are available for triggering B

acquisitions. The selected trigger signal is conditioned by the choice of input CPLG (coupling). These coupling selections are AC, DC, HF REJECT, LF REJECT, and NOISE REJECT. LEVEL control provides a settable amplitude (with CRT readout) at which triggering will occur, and SLOPE control determines on which slope of the triggering signal (plus or minus) the acquisition is triggered.

Trigger MODE choices are AUTO LEVEL, AUTO/ROLL, NORM (normal), and SINGLE SEQ (single sequence), for the A and A INTENSIFIED Modes, and Triggerable After Delay and Runs After Delay, for the B Mode. AUTO LEVEL provides for automatic leveling on the applied trigger signal. AUTO MODE produces an auto trigger in the event a trigger signal is either not received or not within the limits needed to produce a triggering event. When triggering conditions are met, a normal triggered display results. At SEC/DIV settings of 100 ms per division and longer, the AUTO MODE switches to ROLL. In ROLL MODE, the display is continually updated and trigger signals are disregarded.

NORM (normal) trigger MODE requires that all triggering requirements are met before an acquisition will take place. SINGLE SEQ (single sequence) MODE is a variation of the conventional single-shot displays found on many previous oscilloscopes. In SINGLE SEQ, a single complete acquisition is done on all called-up VERTICAL MODES. Since an acquisition depends on the acquisition mode in effect, many of the scope operating features are altered in SINGLE SEQ.

The user has a choice of trigger points within the acquired waveform record by selecting the amount of pretrigger data displayed. The trigger location in the record is selectable from a choice of five pretrigger lengths beginning at one-eighth of the record length and increasing to seven-eighths of the record length. A record trigger position is independently selectable for both A and B acquisitions. Additional trigger positions in the record are selectable via the GPIB interface commands.

## CURSOR MEASUREMENTS

Time and Voltage cursors are provided for making parametric measurements on the displayed waveforms. Time may be measured either between the cursor positions (DELTA TIME) or between a selected cursor and the trigger point of an acquired waveform (ABSOLUTE). Time cursor readouts are scaled in seconds, degrees, or percentage values. The I/TIME cursors may be scaled in hertz (Hz), degrees, or percentage.

Voltage cursor measurements on a waveform display can be selected to read either the voltage difference

between the cursor positions or the absolute voltage position of a selected cursor with respect to ground. The volts measurement readouts may be scaled in units of volts, decibels (dB), or percent. The Voltage cursors and Time cursors may also be coupled to track together (V@T and SLOPE) and assigned to a particular waveform for ease in making peak-to-peak and slope waveform measurements. The units for V@T may be volts, percent, or dB; SLOPE may have units of slope (VOLTS/SEC), percent (VOLTS/VOLT), or dB.

## WAVEFORM ACQUISITION

Waveforms may be acquired in different modes, depending on the measurement requirements. The acquisition modes of NORMAL, ENVELOPE, and AVG (averaging) provide the user with a wide range of measurement adaptability. NORMAL mode provides a continuous acquisition producing a "live" waveform display similar to that seen with an analog oscilloscope. AVG (averaging) mode is especially useful for improving the signal-to-noise ratio of the displayed waveform. Small amplitude signals masked by noise become easily visible for making measurements and analysis by averaging from 2 to 256 acquisitions for removing uncorrelated noise.

Equivalent-time sampling, used for NORMAL and AVG acquisition of recurring periodic signals, extends the useful storage bandwidth to 150 MHz when the REPETITIVE mode is on. Randomly acquired data points taken from aperiodic signal are used to fill the complete record of the signal waveform display. Depending on the SEC/DIV setting, as few as 10 samples (at 5 ns/DIV) or as many as 409 (at 200 ns/DIV) samples may be obtained on each trigger event. The user sees the waveform display build up as dots until the entire 1024 data point record is filled.

ENVELOPE mode saves the maximum and minimum data-point values over a selected number of acquisitions from 1 to 256 plus CONT (continuous). The display presents a visual image of the amount of change (envelope) that occurs to a waveshape during the accumulated acquisitions. Frequency, phase, amplitude, and position changes are easily identified when acquiring in ENVELOPE mode. The glitch-catching capability of ENVELOPE mode can capture single-event pulses as narrow as 2 ns at the slowest SEC/DIV setting of 5 seconds per division.

Horizontally, the record length of acquired waveforms is 1024 data points (512 max/min pairs in ENVELOPE mode), of which 500 make up a one-screen display (50 data points per division for 10 divisions). The entire record may be viewed by using the Horizontal POSITION control to position any portion of the record within the viewing area.

## STORAGE AND I/O

Acquired waveforms may be saved in any of four REF (reference) waveform nonvolatile memories. Any or all of the saved reference waveforms may be displayed for comparison with the waveforms being currently acquired. The source and destination of waveforms to be saved may be user designated. Assignment can be made to save either channel 1 or channel 2 (or the results of an addition or multiplication of the two channels) to any REF memory or to move a stored reference from one REF memory to another. Reference waveforms may also be written into a REF memory location via the GPIB interface.

The scope is fully controllable and capable of sending and receiving waveforms via the standard equipped GPIB interface. This feature makes the instrument ideal for making automated measurements in a production or research and development environment that calls for repetitive data taking. Self-calibration and self-diagnostic features built into the scope to aid in fault detection and servicing are also accessible via commands sent from the GPIB controller.

Another standard feature is the DEVICES setting for GPIB Interface control. This feature allows the user to output waveforms (and other on-screen information) to either a HP® Graphics Printer or Plotter from the scope front-panel, providing a way to obtain hard-copies of acquired waveforms without putting the scope into a system controller environment.

## EXTENDED FEATURES

There are several other features incorporated into this instrument designed to make it more usable, namely, the HELP, AUTOsetup, MEASURE, and AutoStep Sequencer features.

**HELP:** The HELP function can be used to display operational information about any front-panel control. When HELP mode is in effect, manipulating almost any front-panel control causes the scope to display information about that control. When HELP is first invoked, an introduction to HELP is displayed on screen.

**AUTOsetup:** The AUTOsetup function is used to automatically setup the scope for a viewable display based on the input signal. The user can specify the waveform characteristic the display is optimized for (front-edge, period, etc.) from a menu displayed upon executing AUTOsetup.

**MEASURE:** MEASURE automatically extracts parameters from signal input to the scope. In the SNAPSHOT mode, 20 different waveform parameters are extracted and displayed for a single acquisition. In the continuous extraction mode, up to four parameters are extracted continuously as the instrument continues to acquire.

**AutoStep Sequencer (PRGM):** With AutoStep, the user can save single front-panel setups or sequences of setups and associated flow control and Input/Output actions for later recall. If MEASURE and/or OUTPUT are saved as part of these setups they can be used for automatic parameter extraction and data printout. 100 to 800 front-panel setups (depending on complexity) can be stored in one or more sequences.

The descriptions of these four features are found in Chapter 2 of the Operators and Unit Maintenance manual for this instrument.

For part numbers and further information about standard accessories and a list of the optional accessories, refer to the Unit, Direct Support, and General Support Repair Parts and Special Tools List for Oscilloscope OS-291/G.

## PERFORMANCE CONDITIONS

Electrical, environmental, and mechanical characteristics are listed in Table 1-1.

Electrical characteristics apply when the scope has been calibrated at an ambient temperature between  $+20\pm^{\circ}\text{C}$  and  $+30^{\circ}\text{C}$ , has had a warmup period of at least 20 minutes and is operating at an ambient temperature between  $-15^{\circ}\text{C}$  and  $+55^{\circ}\text{C}$  (unless otherwise noted).

The scope meets the environmental requirements of MIL-T-28800C for Type III, Class 3, Style D equipment, with the humidity and temperature requirements defined in paragraphs 3.9.2.2, 3.9.2.3, and 3.9.2.4.

## RECOMMENDED ADJUSTMENTS SCHEDULE

For optimum performance to specification, the internal SELF CAL should be done:

- a. If the operating temperature is changed by more than  $50^{\circ}\text{C}$  since the last SELF CAL was performed.
- b. Immediately before making measurements requiring the highest degree of accuracy.

**Table 1-1  
Electrical, Environmental, and Mechanical Characteristics**

Characteristics	Performance Requirements
<b>WEIGHT AND DIMENSIONS</b>	
Weight	28.1 lbs (12.8 kg). <sup>1</sup>
Length	18.86 in (479 mm). <sup>1</sup>
Width	13.0 in (330 mm). <sup>1</sup>
Height	6.3 in (160 mm). <sup>1</sup>
<b>POWER REQUIREMENT</b>	
115 VAC operation	90 to 132 VAC. <sup>1</sup>
230 VAC operation	180 to 250 VAC. <sup>1</sup>
Frequency	48 to 440 Hz. <sup>1</sup>
Power	1300 VA maximum. <sup>1</sup>
Fuse	5 amp, 250 V. <sup>1</sup>
<b>ENVIRONMENTAL</b>	
Operating temperature range	15° to 131°F (-15° to +55°C). <sup>1</sup>
Storage temperature range	-80° to 185°F (-62° to + 85°C). <sup>1</sup>
Relative humidity 30° to 55°C	95% maximum. <sup>1</sup>
Operating altitude	0 to 15,000 ft (4,500 meters). <sup>1</sup>
Storage altitude	0 to 50,000 ft (15,000 meters). <sup>1</sup>
Vibration	4g. <sup>1</sup>
Shock	150g. <sup>1</sup>


<sup>1</sup> Performance Requirement not checked in the manual.

**Table 1-1**  
**Electrical, Environmental, and Mechanical Characteristics (cont)**

Characteristics	Performance Requirements
<b>TRIGGER</b>	
Minimum Amplitude and Frequency for AUTO LEVEL Trigger and for Triggering on Auto Setup	≥ 5 mV at ≥ 50 Hz.
Minimum P-P Signal Amplitude for Stable Triggering from CH 1, CH 2, or ADD	
A Trigger	
DC Coupled	0.35 division from DC to 50 MHz, increasing to 1.0 division at 150 MHz; 1.5 divisions at 150 MHz in ADD mode.
NOISE REJ Coupled	1.2 divisions or less from DC to 50 MHz, increasing to 3 division at 150 MHz; 4.5 divisions at 150 MHz in ADD mode.
AC Coupled	0.35 division from 60 Hz to 50 MHz; increasing to 1.0 division at 150 MHz, 1.5 divisions at 150 MHz in ADD mode. Attenuates signals below 60 Hz.
HF REJ Coupled	0.50 division from DC to 30 kHz. Attenuates signals above 30 kHz.
LF REJ Coupled	0.50 division from 80 kHz to 50 MHz; increasing to 1.0 division at 150 MHz; 1.5 divisions at 150 MHz in ADD mode. Attenuates signals below 80 kHz.
B Trigger	Multiply all A Trigger specifications by two.
A*B Selected	Multiply all A Trigger specifications by two.
Minimum P-P Signal Amplitude for Stable Triggering from EXT TRIG 1 or EXT TRIG 2 Source	
A Trigger	
EXT Gain = 1	
DC Coupled	17.5 mV from DC to 50 MHz, increasing to 50 mV at 150 MHz.
NOISE REJ Coupled	60 mV or less from DC to 50 MHz; increasing to 150 mV at 150 MHz.
AC Coupled	17.5 mV from 60 Hz to 50 MHz; increasing to 50 mV at 150 MHz, Attenuates signals below 60 Hz.
HF REJ Coupled	25 mV from DC to 30 kHz.
LF REJ Coupled	25 mV from 80 kHz to 50 MHz; increasing to 50 mV at 150 MHz.
EXT Gain = ÷ 5	Amplitudes are five times those specified for Ext Gain = 1.
B Trigger	Multiply all A Trigger amplitude specifications by two.
A*B Selected	Multiply all A Trigger amplitude specifications by two.

<sup>1</sup> Performance Requirement not checked in the manual.

**Table 1-1  
Electrical, Environmental and Mechanical Characteristics (cont)**

Characteristics	Performance Requirements
<b>TRIGGER (cont)</b>	
Maximum P-P Signal Rejected by NOiSE REJ Coupling Signals within the Vertical Bandwidth CH 1 or CH 2 Source	0.4 division or greater for VOLTS/DIV settings of 10 mV and higher. Maximum noise rejected is reduced at 2 mV per division and 5 mV per division.
EXT TRIG 1 or EXT TRIG 2 Source	20 mV or greater when Ext Trig Gain = 1.100 mV or greater when Ext Trig Gain = ÷ 5.
EXT TRIG 1 and EXT TRIG 2 inputs	
Resistance	1 Megohm ± 1% <sup>1</sup>
Capacitance	15 pF ± 3 pF. <sup>1</sup>
Maximum input Voltage 	400 V (DC + peak AC); 800 V p-p AC at 10 kHz or less. <sup>1</sup>
LEVEL Control Range	
CH 1 or CH 2 Source	± 18 divisions times the VOLTS/DIV setting. <sup>1</sup>
EXT GAIN = 1	± 0.9 V. <sup>1</sup>
EXT GAIN = ÷5	± 4.5 V. <sup>1</sup>
LEVEL Readout Accuracy (for triggering signals with transition times greater than 20 ns)	
CH 1 or CH 2 Source	
DC Coupled + 15°C to + 35°C	Within ± [3% of setting + 3% of p-p signal + (0.2 division x VOLTS/DIV setting) + 0.5 mV + (0.5 mV x probe attenuation factor)].
-15°C to + 55°C	Add (1.5 mV x probe attenuation) to + 15°C to (excluding + 15°C to + 35°C) + 35°C specification. <sup>1</sup>
NOISE REJ Coupled	Add ± (0.6 division x VOLTS/DiV setting) to DC Coupled specifications.
EXT TRIG 1 or EXT TRIG 2 Source	
EXT GAIN = 1	
DC Coupled	Within ± [3% of setting + 4% of p-p signal + 10 mV + (0.5 mV x probe attenuation factor)].
NOISE REJ Coupled	Add ± 30 mV to DC Coupled specifications.

<sup>1</sup> Performance Requirement not checked in the manual.



**Table 1-1**  
**Electrical, Environmental, and Mechanical Characteristics (cont)**

Characteristics	Performance Requirements		
<b>TRIGGER (cont)</b>			
EXT TRIG 1 or EXTTRIG 2 Source (cont)			
EXT GAIN = ÷ 5			
DC Coupled	Within ± [3% of setting + 4% of p-p signal + 50 mV + (0.5 mV x probe attenuation factor)].		
NOISE REJ Coupled	Add ± 150 mV to DC Coupled specifications.		
Variable A Trigger Holdoff	<b>A SEC/DIV</b> <sup>1</sup>	<b>Min. Holdoff</b> <sup>1</sup>	<b>Max. Holdoff</b> <sup>1</sup>
	5 ns 10 ns 20 ns 50 ns 100 ns 200 ns	2-4 µs	9-15 µs
	500 ns	5-10 µs	
	1 µs 2 µs 5 µs	10-20 µs 20-40 µs 50-100 µs	100- 150 µs
	10 µs 20 µs 50 µs	0.1-0.2 ms 0.2 -0.4 ms 0.5-1.0 ms	1 - 1.5 ms
	100 µs 200 µs 500 µs	1-2 ms 2-4 ms 5-10 ms	10-15 ms
	1 ms 2 ms 5 ms	10-20 ms 20-40 ms 50-100 ms	90-150 ms
	10 ms 20 ms 50 ms	0.1-0.2 s 0.2-0.4 s 0.5-1.0 s	0.9 - 1.5 s
	100 ms 200 ms	1-2 s 2-4 s	
	500 ms 1 s 2 s 5 s	5-10 s	9 -15 s
SLOPE Selection	Conforms to trigger-source waveform and AC-power-source waveform.		
Trigger Position Jitter (p-p)			
SEC/DIV 0.5 ps per Division or Greater			
A and B Triggered Sweeps	0.04 times the SEC/DIV setting. <sup>1</sup>		
B RUNS AFTER Delay	0.08 times the SEC/DIV setting. <sup>1</sup>		
SEC/DIV 0.2 µs per Division or Less	(0.04 x SEC/DIV setting) + 200 ps. <sup>1</sup>		



<sup>1</sup> Performance Requirement **not checked in the manual.**

**Table 1-1  
Electrical, Environmental, and Mechanical Characteristics (cont)**

Characteristics	Performance Requirements
<b>Acquisition SYSTEM - CH 1 AND CH 2 (cont)</b>	
Resolution	8 bits <sup>1</sup>
Record Length	1024 samples <sup>1</sup>
Sample Rate	10 samples per second to 100 megasamples per second (5 s per division to 500 ns per division).
Sensitivity	
Range	80 $\mu$ V per DL to 0.2 V per DL in a 1-2-5 sequence of 11 steps (2 mV per division to 5 V per division).
Accuracy	
Normal and Average Modes	Within $\pm$ (2% + 1 DL) at any VOLTS/DIV setting for a signal 1 kHz or less contained within $\pm$ 75 DL ( $\pm$ 3 divisions) of center when an Autocal has been performed within $\pm$ 15°C of the operating temperature. Measured on a four- or five-division signal with VOLTS or V@T cursors; UNITS set to delta volts
Envelope Mode	Add 1% to Normal Mode specifications.
Variable Range	Continuously variable between VOLTS/DIV settings. Extends sensitivity to 0.5 V per DL or greater, 12.5 V per division or greater.
Bandwidth	
Normal and Average Mode; Repeat off; SEC/DIV at 0.5 $\mu$ s or Faster	DC to 40 MHz. <sup>1</sup>
Normal and Average Modes with Repeat On or Continuous Envelope Mode; SEC/DIV at 0.2 $\mu$ s or Faster (-3 dB Bandwidth)	DC to 150 MHz.
AC Coupled Lower -3 dB Point	
1X Probe	10 Hz or less.
10X Probe	1 Hz or less.
Step Response, Repeat and Average On:	
Average Set to 16	
Rise Time	2.3 ns or less. <sup>1</sup>

<sup>1</sup> Performance Requirement not checked in the manual.

**Table 1-1  
Electrical, Environmental, and Mechanical Characteristics (cont)**

Characteristics	Performance Requirements
<b>ACQUISITION SYSTEM - CH1 AND CH2 (cont)</b>	
<b>Envelope Mode Pulse Response</b>	
Minimum Single Pulse Width for 50% or Greater Amplitude Capture at 85% or Greater Confidence	2 ns. <sup>1</sup>
Minimum Single Pulse Width for Guaranteed 50% or Greater Amplitude Capture	4 ns. <sup>1</sup>
Minimum Single Pulse Width for Guaranteed 80% or Greater Amplitude Capture	8 ns. <sup>1</sup>
Channel Isolation	100:1 or greater attenuation of the deselected channel at 100 MHz; 50:1 or greater attenuation at 150 MHz for a 10-division input signal from 5 mV/div to 500 mV/div; 50:1 or greater attenuation @ 100 MHz for 2 mV/div with equal VOLTS/DIV settings on both channels.
Acquired CH 2 Signal Delay with Respect to CH 1 Signal at Full Bandwidth	±250 ps. <sup>1</sup>
Input R and C (1 Megohm)	
Resistance	1 Megohm ±0.5%. <sup>1</sup>
Capacitance	15 pF ± 2 pF. <sup>1</sup>
Input R (50 ohms)	
Resistance	50 ohms ±1%. <sup>1</sup>
VSWR (DC to 150 MHz)	1.3:1 or better. <sup>1</sup>
Maximum Input Voltage 	<b>NOTE</b>  <i>Changing Front Panel settings before the scope has recovered from a 50 Overload condition may cause the scope to "lock up." If the scope locks up, remove the cause of the overload and press the POWER switch off and then on.</i>  5 V rms: 0.5 Ω- sec for any one-second interval for instantaneous voltages from 5 V to 50 V.
Maximum Input Voltage 	
Input Coupling Set to DC, AC, or GND	400 V (DC + peak AC); 800 V p-p AC at 10 kHz or less. <sup>1</sup>
Common-Mode Rejection Ratio (CMRR); ADD Mode with either Channel Inverted	At least 10:1 at 50 MHz for common-mode signals of 10 divisions or less with VARIABLE VOLTS/DIV adjusted for best CMRR at 50 kHz.
<b>POSITION</b>	
Range	± (9.3 to 10.4) div., at 50 mV per division with INVERT off, when Self Cal has been done with ± 5°C of the operating temperature.
Gain Match Between NORMAL and SAVE	±3 DLs for positions within 55 divisions from center.

<sup>1</sup> Performance Requirement not checked in the manual.

**Table 1-1  
Electrical, Environmental, and Mechanical Characteristics (cont)**

Characteristics	Performance Requirements
<b>ACQUISITION SYSTEM - CH 1 AND CH 2 (cont)</b>	
Low-Frequency Linearity Normal or Average Mode	3 DLs or less compression or expansion of a two-division, center-screen signal when positioned anywhere within the acquisition window.
20 MHz Bandwidth Limiter -3 dB Bandwidth	13 MHz to 24 MHz.
50 MHz Bandwidth Limiter -3 dB Bandwidth	40 MHz to 55 MHz.
Rise Time	6.3 ns to 8.7 ns. <sup>1</sup>
<b>TIME BASE</b>	
Sample Rate Accuracy Average Over 100 or More Samples	±0.0015% <sup>1</sup>
External Clock Repetition Rate	
Minimum	1 MHz. <sup>1</sup>
Maximum	100 MHz. <sup>1</sup>
Events Count	1 to 65,536. <sup>1</sup>
Events Maximum Repetition Rate	100 MHz. <sup>1</sup>
Signal Levels Required for EXT Clock or EVENTS CH 1 or CH 2 SOURCE	
DC Coupled	0.7 division from DC to 20 MHz; increasing to 2.0 divisions at 100 MHz; 3.0 divisions at 100 MHz in ADD mode. <sup>1</sup>
NOISE REJ Coupled	2.4 divisions or less from DC to 20 MHz; increasing to 6.0 divisions at 100 MHz; 9.0 divisions at 100 MHz in ADD mode. <sup>1</sup>
AC Coupled	0.7 division from 60 Hz to 20 MHz; increasing to 2.0 divisions at 100 MHz; 3.0 divisions at 100 MHz in ADD mode. Attenuates signals below 60 Hz. <sup>1</sup>
HF REJ Coupled	1.0 division from DC to 30 kHz. Attenuates signals above 30 kHz. <sup>1</sup>
LF REJ Coupled	1.0 division from 80 kHz to 20 MHz; increasing to 2.0 divisions at 100 MHz; 3.0 divisions at 100 MHz in ADD mode. Attenuates signals below 80 kHz. <sup>1</sup>

<sup>1</sup> Performance Requirement not checked in the manual.

**Table 1-1**  
**Electrical, Environmental, and Mechanical Characteristics (cont)**

Characteristics	Performance Requirements
<b>TIME BASE (cont)</b>	
Signal Levels Required for EXT Clock or EVENTS (cont)	
EXT TRIG 1 or EXT TRIG 2 Source	
Ext Gain = 1	
DC Coupled	35 mV from DC to 20 MHz; increasing to 100 mV at 100 MHz. <sup>1</sup>
NOISE REJ Coupled	120 mV or less from DC to 20 MHz; increasing to 300 mV at 100 MHz. <sup>1</sup>
AC Coupled	35 mV from 60 Hz to 20 MHz; increasing to 100 mV at 100 MHz. Attenuates signals below 60 Hz. <sup>1</sup>
HF REJ Coupled	50 mV from DC to 30 kHz. <sup>1</sup> Attenuates signals above 30 kHz.
LF REJ Coupled	50 mV from 80 kHz to 20 MHz; increasing to 100 mV at 100 MHz. <sup>1</sup> Attenuates signals below 80 kHz.
Ext Gain = ÷ 5	Amplitudes are five times those specified for Ext Gain= 1. <sup>1</sup>
Delay Time Range	
B RUNS AFTER DELAY	(0.04 X B SEC/DIV) to (65,536 x 0.04 X B SEC/DIV) or 1.3107 ms, whichever is greater.
B TRIGGERABLE AFTER DELAY	
SEC/DIV 500 ns and faster	20 ns to 1.3107 ms.
SEC/DIV 1 µs and slower	(0.04 X B SEC/DIV) to (65536 X 0.04 X B SEC/DIV).
Delay Time Resolution	
B RUNS AFTER DELAY	(0.04 x B SEC/DIV).
B TRIGGERABLE AFTER DELAY	
SEC/DIV 500 ns and faster	20 ns.
SEC/DIV 1 µs and slower	(0.04 x B SEC/DIV).
Delay Time Accuracy	Same as the sample rate accuracy.
<b>NONVOLATILE MEMORY</b>	
Front-Panel Setting, Waveform Data, Sequencer, and Calibration Data Retention Time	Greater than 3 years.
Proprietary Data Removal From Memory	Executing a TEKSECURE Erase Memory deletes all saved waveforms, settings, and sequences stored in memory. To further ensure that no proprietary data remains stored, all RAM, except those locations storing calibration constants, status/results, and the clock, are cleared. The scope is left with the default front-panel setup that you get by doing an INIT front panel.

<sup>1</sup>Performance Requirement not checked in the manual.

**Table 1-1  
Electrical, Environmental, and Mechanical Characteristics (cont)**

Characteristics	Performance Requirements			
<b>SIGNAL OUTPUTS</b>				
CALIBRATOR	CALIBRATOR output amplitudes at 5 MHz are at least 50% of output amplitudes at 1 ms SEC/DIV setting. <sup>1</sup>			
Voltage (with A SEC/DIV switch set to 1 ms)				
1 Megohm Load	0.4 V ± 1% <sup>1</sup>			
50 ohm Load	0.2V ± 1.5%. <sup>1</sup>			
Current (short circuit load with A SEC/DIV switch set to 1 ms)	8 mA ± 1.5%. <sup>1</sup>			
Repetition Period:	A SEC/DIV Setting <sup>1</sup>	Calibrator Frequency <sup>1</sup>	Calibrator Period <sup>1</sup>	Div/ Cycle <sup>1</sup>
	5 ns 10 ns 20 ns 50 ns 100 ns 200 ns	5 MHz	200 ns	40 20 10 4 2 1
	500 ns 1 µs	500 kHz	2 µs	4 2
	5 µs 10 µs 20 ks	50 kHz	20 µs	4 2 1
	50 µs 100 µs 200 µs	5 kHz	200 µs	4 2 1
	500 µs 1 ms 2 ms	500 Hz	2 ms	4 2 1
	5 ms 10 ms 20 ms 50 ms 100 ms 200 ms 500 ms 1 s 2 s 5 s	50 Hz	20 ms	4 2 1 0.4 0.2 0.1 0.04 0.02 0.01 0.004

<sup>1</sup> Performance Requirement not checked in the manual.

**Table 1-1**  
**Electrical, Environmental, and Mechanical Characteristics (cont)**

Characteristics	Performance Requirements
<b>SIGNAL OUTPUTS (cont)</b>	
CALIBRATION (cent)	
Accuracy	$\pm 0.0015\%$ <sup>1</sup>
Symmetry	Duration of high portion of output cycle is 50% of output period $\pm$ (lesser of 500 ns or 25% of period). <sup>1</sup>
CH 2 SIGNAL OUTPUT	
Output Voltage	20 mV per division $\pm 10\%$ into 1 Megohm 10 mV per division $\pm 10\%$ into 50 ohms.
Offset	$\pm 10$ mv into 50 ohms when DC balance has been performed within $\pm 5^\circ\text{C}$ of the operating temperature.
-3 dB Bandwidth	DC to greater than 50 MHz.
A TRIGGER, RECORD TRIGGER, and WORD RECOGNIZE Output	
Logic Polarity	Negative true. Trigger occurrence indicated by a HI to LO transition.
Output Voltage HI	
Load of 400 VA or Less	2.5 V to 3.5 V. <sup>1</sup>
50 ohm Load to Ground	0.45 V or greater. <sup>1</sup>
Output Voltage LO	
Load of 4 mA or Less	0.5 V or less. <sup>1</sup>
50 ohm Load to Ground	0.15 V or less. <sup>1</sup>
SEQUENCE OUT, STEP COMPLETE Outputs	
Logic Polarity	Negative true. HI to LO transition indicates the event occurred.
Output Voltage HI	
Load of 400 $\mu\text{A}$ or less	2.5 V to 3.5 V. <sup>1</sup>
50 ohm Load to Ground	0.45 V or greater. <sup>1</sup>
Output Voltage LO	
Load of 4 mA or less	0.5 V or less <sup>T1</sup>
50 ohm Load to Ground	0.15 V or less. <sup>1</sup>
SEQUENCE IN Input	
Logic Polarity	Negative true. HI to LO transition restarts a paused sequence.
High-Level Input Current	20 $\mu\text{A}$ maximum at $V_{in} = 2.7$ V. <sup>1</sup>
Low-Level Input Current	-0.4 mA maximum at $V_{in} = 0.4$ V. <sup>1</sup>
High-Level Input Voltage	2.0 V minimum. <sup>1</sup>
Low-Level Input Voltage	0.8 V maximum. <sup>1</sup>
Absolute Maximum Ratings	
$V_{in}$ max	+7.0 V. <sup>1</sup>
$V_{in}$ min	-0.5 V. <sup>1</sup>

<sup>1</sup> Performance Requirement not checked in the manual.

**Table 1-1  
Electrical, Environmental, and Mechanical Characteristics (cont)**

Characteristics	Performance Requirements
DISPLAY	
Graticule	80 mm times 100 mm (8 x 10 divisions). <sup>1</sup>
Phosphor	P31. <sup>1</sup>
Nominal Accelerating Potential	16 kV. <sup>1</sup>
Waveform and Cursor Display, Vertical Resolution	
Electrical	One part in 1024 (10 bit). Calibrated for 100 points per divisional
Gain Accuracy	Graticule indication of voltage cursor difference is within 1% of CRT cursor readout value, measured over center 6 divisions.
Centering; Vectors OFF	Within ± 0.1 division.
Offset with Vectors ON	Less than 0.05 division.
Linearity	Less than 0.1 division difference between graticule indication and CRT cursor readout when active volts cursor is positioned anywhere on screen and inactive cursor is at center screen. <sup>1</sup>
Vector Response	
NORMAL Mode	
Step Aberration	+ 4%, -4%, 4% p-p.
Fill	Edges of filled regions match reference lines within ±0.1 division.
ENVELOPE Mode	
Fill	Less than 1% change in p-p amplitude of a 6-division, filled ENVELOPE waveform when switching vectors ON and OFF.
Waveform and Cursor Display, Horizontal Resolution	
Electrical	One part in 1024 (10 bit). Calibrated for 100 points per division. <sup>1</sup>
Gain Accuracy	Graticule indication at time cursor difference is within 1% of CRT cursor readout value, measured over center 6 divisions.
Centering; Vectors OFF	Within ±0.1 division.
Offset with Vectors ON	Less than 0.05 division.
Linearity	Less than 0.1 division difference between graticule indication and CRT cursor readout when active time cursor is positioned anywhere along center horizontal graticule line and inactive cursor is at center screen. <sup>1</sup>

<sup>1</sup> Performance Requirement not checked in the manual.



# Section 2 PREPARATION FOR USE

## SAFETY

This section tells how to prepare for and to proceed with the initial start-up of the Tektronix OS-291 Digital Oscilloscope.

Refer to the Safety information at the front of this manual. Before connecting the oscilloscope to a power source, read both this section and the Safety information at the front of this manual.



*This instrument may be damaged if operated with the LINE VOLTAGE SELECTOR switch set for the wrong applied AC input-source voltage or if the wrong line fuse is installed.*

## LINE VOLTAGE SELECTION

The scope operates from either a 115 V or 230 V nominal AC power-input source having a line frequency ranging from 48 Hz to 440 Hz. Before connecting the power cord to a power-input source, verify that the LINE VOLTAGE SELECTOR switch, located on the rear panel (see Fig. 2-1), is set for the correct nominal AC input-source voltage. To convert the instrument for operation from one line-voltage range to the other, move the LINE VOLTAGE SELECTOR switch to the correct nominal AC source-voltage setting. The detachable power cord may have to be changed to match the particular power-source outlet.

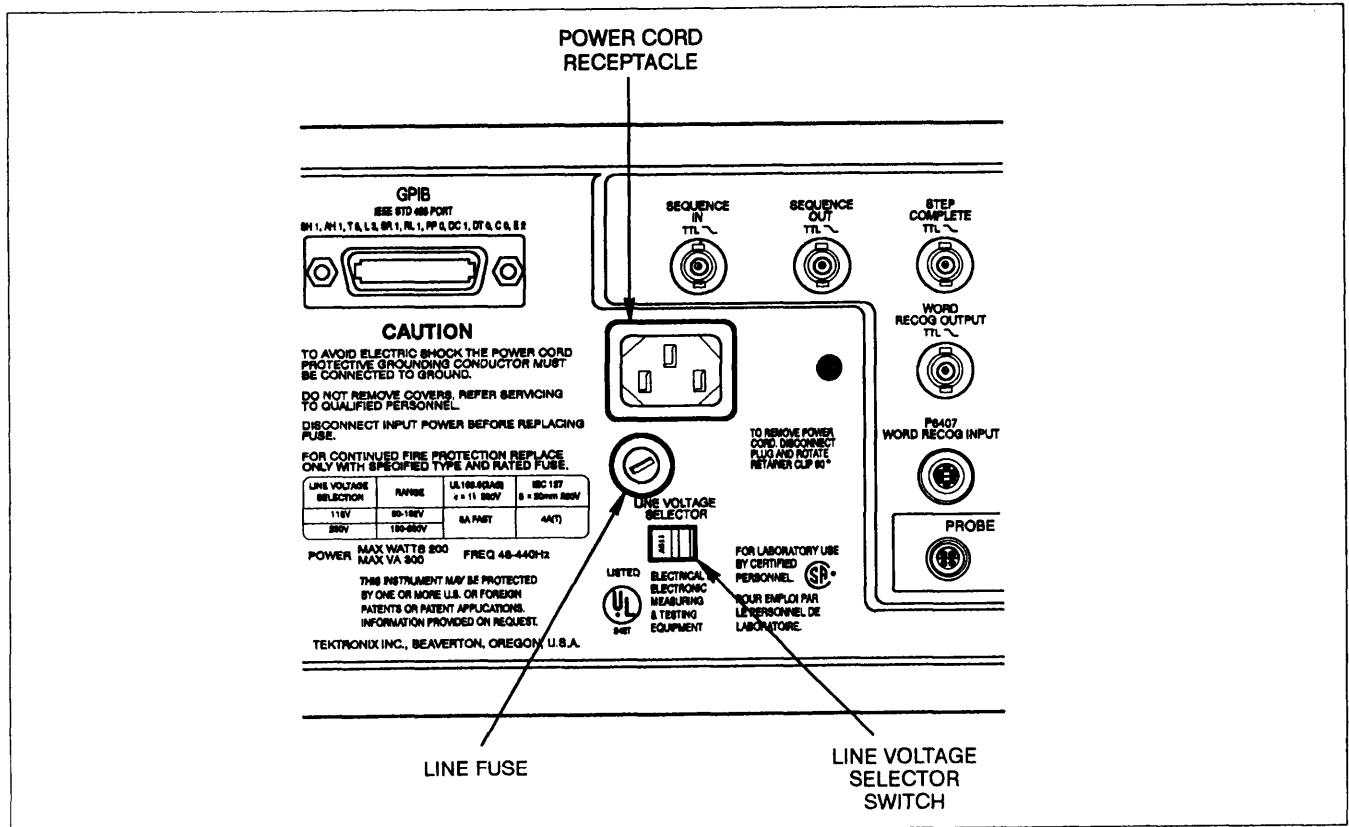


Figure 2-1. LINE VOLTAGE SELECTOR, line fuse, and power cord receptacle.

## LINE FUSE

To verify the proper value of the instrument's power-input fuse, perform the following procedure:

- a. Press in the fuse-holder cap and release it with a slight counterclockwise rotation.
- b. Pull the cap (with the attached fuse inside) out of the fuse holder.
- c. Verify proper fuse value.
- d. Install the proper fuse and reinstall the fuse-holder cap.

## POWER CORD

This instrument has a detachable three-wire power cord with a three-contact plug for connection to both the power source and protective ground. The power cord is secured to the rear panel by a cord-set securing clamp. The protective ground contact on the plug connects (through the power cord protective grounding conductor) to the accessible metal parts of the instrument. For protection against electrical shock, insert this plug into a power-source outlet that has a properly grounded protective-ground contact.

## INSTRUMENT COOLING

To prevent instrument damage from overheated components, adequate internal airflow must be maintained. Before turning on the power, first verify that air-intake holes on the bottom and side of the cabinet and the fan exhaust holes are free of any obstruction to airflow. The scope has a thermal cutout that will activate if overheating occurs. The scope shuts down immediately with no attempt to save waveforms or front-panel conditions if a cutout happens. Power will be disabled to the scope until the thermal cutout cools down, at which time the power-on sequence is redone. The resulting loss of the last front-panel and waveform data will cause the power-on self test to fail and is indicated to the user by a failed CKSUM-NVRAM test (number 6000 in the main EXTENDED DIAGNOSTICS menu). The cause of the overheating must be corrected before attempting prolonged operation of the scope. Pressing the MENU OFF/EXTENDED FUNCTIONS button exits the EXTENDED DIAGNOSTICS mode to the normal operating mode.

## START-UP

This instrument automatically performs power-up tests each time the instrument is turned on. These tests provide the highest possible confidence level that the instrument is fully functional. If no faults are encountered, the instrument will enter the Scope mode in either the ACQUIRE or SAVE Storage mode, depending on the mode in effect when it was powered off.

If tests are failed, the scope displays the Extended Diagnostics menu. If the failure is in the range of 1000-5300 and the message "HARDWARE PROBLEM - SEE SERVICE MANUAL" is displayed with the menu, see "Diagnostics" in Section 6 for more information. If the failure is in 1000-5300 range, but "RUN SELF CAL WHEN WARMED UP" is displayed, the SELF CAL procedure should be executed from the EXTENDED FUNCTIONS menu (wait for the NOT WARMED UP message to disappear from the SELF CAL menu). If failures persist after the SELF CAL is run (the "HARDWARE PROBLEM - SEE SERVICE MANUAL" message will be displayed), see "Diagnostics" in Section 6 for more information.

Failure of a test in the range of 7000 to 9300 may not indicate a fatal scope fault. Several conditions can occur that will cause a non-fatal failure of the tests. The scope will display "RUN SELF CAL WHEN WARMED UP" to indicate a SELF CAL should be performed. If SELF CAL does not clear the failure ("HARDWARE PROBLEM - SEE SERVICE MANUAL" is displayed), the scope may still be usable for your immediate measurement purposes. For example, if the problem area is in CH 2, CH 1 may still be used with full confidence of making accurate measurements. Press the MENU OFF/EXTENDED FUNCTIONS button to exit EXTENDED DIAGNOSTICS and enter Scope mode.

### NOTE

*The SELF CAL procedure is detailed in Section 5 of this manual. Refer to Section 6 of this manual for information on the power-up tests and the procedures to follow in the event of a failed power-up test.*

A fatal fault in the operating system will cause the scope to abort. No displays are possible, and the user is notified of an abort situation only by the flashing of the Trigger LED indicators (if that is possible). Cycling the power off then back on may clear the problem, but a failure of this magnitude usually requires the scope to be referred to a qualified service person for checkout and repairs. Persistent or recurring failures of the power-on or self-diagnostic test should be brought to the attention of a qualified service person at the first opportunity.

## POWER-DOWN

### NOTE

*POWER INTERRUPTION TO THE INSTRUMENT WHEN THE SELF-CALIBRATION ROUTINE IS EXECUTING INVALIDATES THE INSTRUMENT CALIBRATION CONSTANTS. Upon such an interruption, the instrument sets an internal flag denoting that SELF CAL was running at shutdown. When power is reestablished, the scope will display 'RUN SELF CAL WHEN WARMED UP.' When the "NOT WARMED UP" message disappears from the SELF CAL menu, the user MUST perform a SELF CAL to escape the EXT DIAG menu (the ↑ menu button MUST be used to access the SELF CAL menu—see Section 6 for more information). If failures persist after the SELF CAL is performed, refer the instrument to qualified service personnel.*

For a normal power-off from the scope mode, an orderly power-down sequence retains the SAVE and SAVEREF waveforms, the current front-panel control settings, and any stored front-panel settings. If a power-off or transient power fluctuation occurs during SELF CAL, or EXTENDED CALIBRATION, or the instrument shuts down at any time due to overheating, the normal power-down sequence is not executed. The result is loss of stored calibration constants or last front-panel control settings (or both) and a failure of the next power-on self-test (6000-6400 range). If Front Panel, sequencer, or stored waveform information was lost, the error will clear itself on the next power-down/power-up cycle. If calibration constants were lost the instrument will display information indicating if calibration is needed.

If power is momentarily interrupted, starting the power-off sequence, but is reestablished before the sequence completes, the scope will redo the power-on procedure. If the scope is in the middle of a waveform acquisition when power interruption occurs, the waveform data will not be saved, and the invalid waveform data display will be seen when power-on has completed. Press ACQUIRE to restart the acquisition and obtain valid waveform data.

## REPACKAGING FOR SHIPMENT

It is recommended that the original carton and packing material be saved in the event it is necessary for the instrument to be reshipped using a commercial transport carrier. If the original materials are unfit or not available, then repackage the instrument using the following procedure.

- a. Use a corrugated cardboard shipping carton having a test strength of at least 275 pounds and with an inside dimension at least six inches greater than the instrument dimensions.
- b. Completely wrap the instrument with polyethylene sheeting or equivalent to protect the outside finish and prevent entry of harmful substances into the instrument.
- c. Cushion instrument on all sides using three inches of padding material or urethane foam, tightly packed between the carton and the instrument.
- d. Seal the shipping carton with an industrial stapler or strapping tape.



# Section 3

## THEORY OF OPERATION

### SECTION ORGANIZATION

This section of the manual is divided into three subsections, with each subsection increasing in detail. The first subsection is the "Simplified Block Diagram Description" which contains a general summary of instrument operation by foldout. A simplified block diagram accompanies the text. Subsection two is the "Detailed Block Diagram Description" which discusses the circuit functions in greater detail and provides a more in-depth look at the acquisition system. A detailed block diagram is located in the foldout pages at the rear of this manual. Generally, both block diagram descriptions follow the signal-flow path as much as possible and not the schematic foldout number order as is done in the "Detailed Circuit Description."

Subsection three is the "Detailed Circuit Description" which discusses the circuitry shown in the schematic diagram foldouts, also located at the rear of this manual. The foldout number associated with each description is identified in the text and is shown on the block diagrams. For best understanding of the circuit being described,

refer to the appropriate foldout and the block diagrams. The order of discussion in the circuit descriptions follows the foldout number order.

### INTEGRATED CIRCUIT DESCRIPTIONS

Digital logic circuits perform most of the functions within the instrument. Functions and operation of the logic circuits are shown using logic symbols and terms. Most logic functions are described using the positive-logic convention. Positive logic is a notation system in which the more positive of the two logic levels is the HI (or 1) state; the more negative level is the LO (or 0) state. Voltages that constitute a HI or a LO state vary between specific devices. Refer to the device manufacturer's data book for specific electrical characteristics or logical operation of common parts.

The functioning of linear integrated circuit devices in this section is discussed using waveforms or other techniques such as voltage measurements and simplified diagrams, where required, to illustrate their operation.

# SIMPLIFIED BLOCK DIAGRAM DESCRIPTION

This discussion is of the block diagram shown in Figure 3-1.

## Attenuators and Preamplifiers (fig. FO-17)

**ATTENUATORS.** The Attenuators are settable to 1X, 10X, or 100X attenuation, to reduce the input signal level to within the dynamic range of the Preamplifiers. Input coupling for the signal to the Attenuators may be either AC or DC with 1 MW termination or DC with 500 termination. Attenuator and coupling switching are controlled by the System Processor using register-activated magnetic-latch switches.

**PREAMPLIFIERS.** The Preamplifiers provide switchable gain setting and buffering of the attenuated input signal. Single-ended input signals are converted to double-ended (differential) output signals. Variable Vertical Mode gain, vertical position, and DC Balance are controlled by input signals to the Preamplifiers. The System Processor-controlled gain in combination with the switchable attenuator settings allow the complete range of available VOLTS/DIV switch settings from 2 mV to 5 V to be obtained. Trigger pickoffs provide a sample of the input signal to the trigger system for use as a triggering signal source.

## Peak Detectors and CCD/Clock Drivers (fig. FO-18)

**PEAK DETECTORS.** Additional buffering of the signal to the CCDS is provided by the Peak Detectors for all acquisition modes. The bandwidth of the input amplifiers of the Peak Detectors is switchable for FULL, 50 MHz, and 20 MHz bandwidths. In Envelope acquisition mode, dual min-max Peak Detectors detect and hold the minimum and maximum peak signal amplitudes that occur between sampling clocks. Those min and max signal values are then applied to the CCDs for sampling. Control data from the System Processor controls the bandwidth selection, and peak detector clock signals multiplex the signal samples from the Peak Detectors to the CCDS. A calibration signal input is provided to the Peak Detectors for use in automatic calibration and diagnostic testing of the acquisition system.

Common-mode adjust circuitry on the output of the Peak Detectors is used to control the overall gain of the Peak Detector/CCD acquisition subsystem. Using digital signals to the DAC system, analog voltages are generated that set the gain of the Common-mode adjust amplifiers. These amplifiers monitor the DC common-mode level of

the Peak Detector outputs and match it to the control gain level set by the System Processor. That DC level sets the CCD signal gain.

**CCD/CLOCK DRIVERS.** The CCDs are fast analog shift registers that can hold more than enough samples to fill the complete waveform record of 1024 samples per channel. The extra samples are used to account for the uncertainty of the trigger point location in the 32 samples stored in the input register. Once a trigger occurs, the samples not needed to fill the waveform records are basically discarded. For fast signals, waveform samples are stored very rapidly and then shifted out at a rate that can be handled by the A/D Converter. When the sample rate is slow enough to allow direct conversion of the input samples, a Short Pipeline mode is used to shift samples directly through the CCD registers. The Clock Driver portion of the devices produces the phase clocks that shift the analog data through the CCD registers. Other clocks used to sample the signal and transfer the samples into and out of the CCD arrays are generated in the CCD Phase Clock and System Clock circuits (fig. FO-19 and FO-15, respectively).

## CCD Output (fig. FO-22)

The differential signals from both sides and both channels of the CCD arrays are combined and multiplexed onto a single data line to the A/D Converter. The output clocking is referenced to the sample and phase clocks to maintain the correct data timing relationships of the samples. Waveform data samples are therefore stored in the correct Acquisition Memory locations after being digitized.

## A/D Converter and Acquisition Latches (fig. FO-23)

**A/D CONVERTER.** The combined samples of analog signals are converted to eight-bit data bytes by the A/D Converter. In Envelope Mode, the data bytes are applied to two magnitude comparators, along with the previous maximum and minimum data bytes to determine if it is greater in magnitude than the last maximum or minimum. If a new data byte is greater, the new data byte is latched into the Acquisition Latches; otherwise, latching does not occur. Clocking to direct the signals into the Acquisition Latches comes from the System Clock circuit and is referenced to the Output Clocks to maintain the correct data input to the magnitude comparators for making the Envelope min-max comparisons.

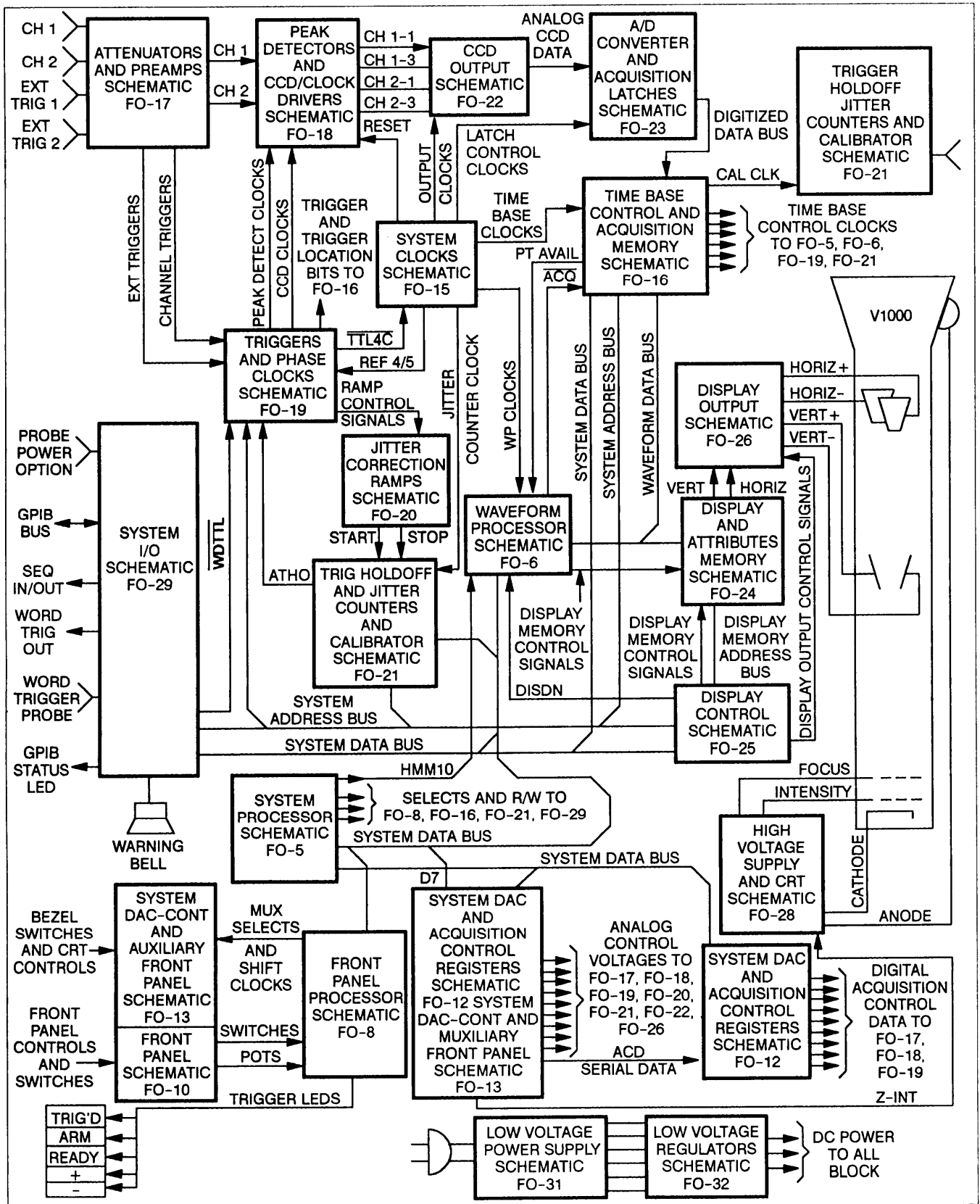


Figure 3-1. Oscilloscope OS-291/G simplified block diagram.

**ACQUISITION LATCHES.** For Normal and Average acquisitions, the data bytes are passed directly through the Acquisition Latches to the Acquisition Memory where they are stored temporarily before transfer to Waveform Processor Data Bus and the Waveform Processor Save Memory. The Envelope acquisition waveform bytes in the Acquisition Latches are the maximum and minimum data point values that occurred in the sampling interval. When the SEC/DIV setting reaches the maximum sampling rate, only one min-max pair is present during a sampling interval; and, in mat case, the Envelope data byte comparisons are done by a firmware routine as the data is transferred from the Save Memory to the Display Memory.

### **Time Base Controller and Acquisition Memory (fig. FO-16)**

**ACQUISITION MEMORY.** Digitized waveform data bytes are transferred from the Acquisition Latches to the Acquisition Memory under control of the Time Base Controller. The data is temporarily stored here before moving to the Waveform Processor Save Memory under control of the Waveform Processor.

**TIME BASE CONTROLLER.** The Time Base Controller, under direction of the System Processor, monitors and controls the acquisition functions. When the pretrigger samples are obtained, the digitization process is started. Samples are counted to store the correct number in the Acquisition Memory, and the trigger point is properly located in the waveform record. Among the various tasks done by the Time Base Controller, Clock signals generated by the Time Base Controller provide the acquisition rate, the calibrator frequency, and enable the Trigger circuitry to accept a trigger after the pretrigger data is acquired.

### **Waveform Processor (fig. FO-6)**

The Waveform Processor performs the high-speed data-handling operations required to produce and update the CRT displays. Waveform data is transferred from the Acquisition Memory to a "Save" Memory in the Waveform Processor work space. Waveforms may be digitally added, multiplied, or averaged, as part of the display processing that the Waveform Processor does before transferring the data to the Display Memory. The Save Memory is kept alive during periods of power-off. This holds the Save waveforms, the reference waveforms and/or front-panel setups for up to three years. The Waveform Processor memory space and all devices on the Waveform Processor address bus are addressable by the System Processor via the Bus Connect circuitry for 1/0 operations.

The Bus Connect circuitry includes logic gating that arbitrates when the Waveform Processor memory space (RAM) and addressable devices are under control of the System Processor. The System Processor may gain

control by a BUSREQUEST to which the Waveform Processor issues a BUSGRANT signal; or if the Waveform Processor is held reset, the System Processor issues a BUSTAKE signal. The BUSTAKE is used when the System Processor writes a waveform display task list into the Waveform Processor Command RAM space. When the reset is then removed from the Waveform Processor, it does all the waveform data processing tasks given to it to do by the System Processor without further need of System Processor action.

### **Display and Attributes Memory (fig. FO-24)**

The 512 data points to be displayed out of the 1024 data-point record are transferred to the Display Memory from the Waveform Processor Save Memory after any required processing such as adding, subtracting, multiplying, or interpolating is done. Subsequent refreshes of the display are then continually made from data stored in the Display Memory, and that memory is only updated as necessary to display different waveforms or portions of the waveform record (a new horizontal position or new waveform called up for display). The Attributes Memory holds all the VOLTS/DIV and SEC/DIV scale factors for each of the waveforms displayed. Readouts of that data are also displayed on the CRT.

### **Display Control (fig. FO-25)**

The Display Control System controls the display of the waveforms and readouts. Data bytes stored in the Display Memory are read out and D-to-A converted into vertical and horizontal current signals used to generate the waveform dots and readout characters. State-machine circuitry under control of the System Processor performs all the display tasks assigned including control of the Z-Axis. The System Processor and the Waveform Processor are therefore free to carry on with other functions until it becomes necessary to make a display change (such as a menu or display mode change or a waveform data update). Display state-machine clocks are generated from the Time Base Controller 5 MHz clock signal.

### **Display Output (fig. FO-26)**

Horizontal and vertical signal current from the Display Controller are converted into the deflection voltage signals used to drive the CRT deflection plates by the Display Output circuitry. Vector generation circuitry provides a choice of either connected waveform dots (vectors on) or a dots-only waveform display. Display switching circuitry connects the correct deflection signals to the vertical and horizontal output amplifier for YT (vertical signal versus time), XY (horizontal signal versus vertical signal), or readout data. Dynamic offset correction of the vertical and horizontal output amplifiers is provided that minimizes trace shift due to intensity changes.



## System Processor (fig. FO-5)

The System Processor, under program direction, controls all the functions of the scope and coordinates the functions of the two other microprocessors (the Front Panel Processor and the Waveform Processor). The System Processor has a 16-bit address bus and a separate 8-bit data bus. No multiplexing of the data bus is required. Addresses are decoded to access the memory-mapped devices on the data bus, and control signals generated by the System Processor control communication between the Processor and the bus devices. An extensive interrupt circuit enables devices on the bus to request servicing when necessary to get new instructions or take other action. A power-up reset circuit permits an orderly power-on and power-off sequence of the System Processor.

Permanent programming used to control the Operating System resides in the System ROM. The System ROM contains one 16 K by 8-bit memory device and four 64 K by 8-bit memory devices for a total of 272 K of memory. A page-switching scheme is used to permit the System Processor to access all the available memory addresses of ROM.

System RAM consists of a single 32 K by 8-bit memory device. Data needing short-term storage (data used for performing various control functions) as well as data needing long-term storage (calibration constants, the front-panel setup at power down, etc.) are stored in this nonvolatile RAM. The data in this memory is maintained during power off.

### NOTE

*Although all the data in this memory device is backed up and is, therefore, nonvolatile, that part of the System RAM reserved for data that NEEDS to be backed up is referred to as NVRAM throughout this section. Parts of System RAM that do NOT NEED backing up are referred to as volatile RAM or just RAM.*

## Front Panel Processor (fig. FO-8)

The Front Panel Processor is a special-purpose device used to respond to switch and control changes. When a control changes, the Front Panel Processor informs the System Processor so that the operating state may be altered to match the requested change. Potentiometer controls are digitized to provide the necessary change data to the System Processor. The System Processor notes the control that changed, the amount and direction of change (if a pot), and sends out the necessary commands to make the change. New settings are updated in the nonvolatile RAM so that they will be available in the event of a power-off. On a power-on, the Front Panel

Processor receives instructions as to how the switches are to be interpreted and then begins scanning the front panel, watching for a control to change. The System Processor is then free to carry on with other functions.

## Front Panel (fig. FO-10) and Auxiliary Front Panel (fig. FO-13)

All the buttons and knobs of the Front Panel and Auxiliary Front Panel are "soft" controls and do not directly activate a circuit function. This fact allows the switch functions and menu labels to be changed (especially the bezel buttons of the Auxiliary Front Panel which are used to make menu selections) as necessary. Buttons may be defined by the System Processor to be push-push on-off, momentary contact, continuous, or toggle switches. Control changes are monitored by the Front Panel Processor. Potentiometer controls are digitized; and when a change occurs, the amount and direction of change is sent to the System Processor to make the appropriate operational changes. Push buttons that are pressed are interpreted as to what type of switch action occurred (from the switch-type definition list) and that information is sent to the System Processor to make the appropriate operational changes.

All the buttons and knobs located to the right of the CRT (facing the scope) are monitored via circuitry of the Front Panel. The Auxiliary Front Panel contains the circuitry required to monitor the bezel buttons (menu selection buttons), the push buttons, and the INTENSITY knob (all located directly beneath the CRT). Probe coding for the vertical-channel and external-trigger BNC connectors and the 50  $\Omega$  overload circuits for CH 1 and CH 2 are also monitored via the Auxiliary Front Panel circuitry.

## System DAC (fig. FO-12 and FO-13)

The System DAC is used in normal operation to set the various analog control voltages throughout the instrument. Such things as preamplifier gain, vertical position and centering, trigger levels, holdoff time, common-mode adjust, scale illumination, intensity of the various CRT displays, and CCD position offsets are all controlled by the System Processor via the System DAC. Digital values representing the analog voltage levels required for the various controls are written to the digital-to-analog converter (DAC) input registers where they are converted to analog voltage levels at the inputs to the Sample-and-Hold circuits. The Sample-and-Hold circuits maintain a fixed output voltage to the controlled circuit between updates by the System Processor.

For calibration and diagnostic purposes, the System DAC is used to send known voltage levels to various circuits. Those levels may then be adjusted to remove offsets and set gain levels to achieve analog calibration or to test the gains and offsets for diagnostic purposes.

### Acquisition Control Registers (fig. FO-12)

The Acquisition Control Registers are the digital control interface between the System Processor and the switchable acquisition circuitry. Switching data is written to the Registers to control the setup of the Peak Detectors, the A/B Trigger Generator, the Trigger Logic Array, and the Phase Clock Array. Additional decoding circuitry produces clocking signals used to load controlling data into the Attenuator Register, the CH 1 and CH 2 Preamplifiers, and the A/B Trigger Generator.

### Triggers and Phase Clocks (fig. FO-19)

**TRIGGERS.** The Trigger circuits detect when a trigger meeting the setup conditions occurs. Triggering signals are selectable by the A/B Trigger Generator from a choice of the following sources: CH 1, CH 2, EXT 1, EXT 2, and LINE. The Trigger Logic Array makes possible the further choices of WORD Trigger (WDTTL), or A and B Trigger. Upon receiving a valid trigger, the acquisition in progress is allowed to complete. Conditions for triggering, such as Level, Slope, Coupling, and Mode, are determined by the A/B Trigger Generator. Other triggering conditions such as delay by time, delay by events, and A and B Trigger are decided by the Trigger Logic Array which produces the output gates signaling a trigger event. The System Processor sets up the operating modes for the A/B Trigger Generator and the Trigger Logic Array via the Acquisition Control Registers (fig. FO-12). Control signals to the Jitter Correction Ramps (RAMP and  $\overline{\text{RAMP}}$ ) are generated by the Trigger Logic Array to start measuring the time between the sample clock and the trigger event. That time difference is used to correctly place the samples when repetitive sampling is used.

**CCD PHASE CLOCKS.** The CCD Clocks (used to move data into and out of the CCDs), the Peak Detector Clocks, the ramp-switching signals to the Jitter Correction Ramp circuits, and the trigger location bits (needed to place the trigger position with respect to the waveform data) are all generated by the Phase Clock Array. A master clock signal of either 200 MHz or 250 MHz is generated by the Phase-Locked Loop circuit and voltage-controlled oscillator. The master clock frequency needed is determined by the sampling rate at a particular SEC/DIV switch setting. Frequency dividers in the Phase Clock Array reduce the master clock frequency to the lower rates of the output clocks as determined by the System Processor via the Acquisition Control Registers (fig. FO-12).

### Jitter Correction Ramps (fig. FO-20)

The Jitter Correction Ramps work in conjunction with the Jitter Counters to detect and measure the time difference between a trigger event (that occurs randomly) and the sample clock. That time difference is used to correctly place sampled data points into the waveform record when those samples are acquired on different

triggers (repetitive sampling). Two ramp generators are used, so two time measurements are made. The System Processor will determine which measurement is the one actually used. The RAMP and  $\overline{\text{RAMP}}$  signals from the Trigger circuits control the start and stop of the ramp signals while the SLRMP1 and SLRMP2 signals control switching between the fast-charging current source and slow-discharging current source. Since the SLRMP signals are related to the sample clock, the amount of charge stored from the fast-charging current source before switching to the slow ramp occurs is a measure of the time difference between the trigger and the sample clock. The Jitter Counters start counting when the SLRMP signal switches to the slow ramp, and they are stopped when a comparator circuit determines that the ramp level has discharged to a fixed reference level.

### Trigger Holdoff and Jitter Counters (fig. FO-21)

**TRIGGER HOLDOFF.** The A Trigger Holdoff circuit prevents the A/B Trigger Generator (fig. FO-19) from recognizing a new trigger event for a certain amount of delay time after an acquisition has been completed. The delay allows all of the data handling of the acquired samples to be completed before starting a new waveform acquisition. Minimum holdoff time is dictated by the SEC/DIV switch setting. A front-panel HOLDOFF control permits the user to increase the holdoff time as an aid in improving triggering stability on certain signals.

**JITTER COUNTERS.** The Jitter Counters (one for RAMP1 and one for RAMP2) start counting the 8 MHz clock when a START signal is received from the Jitter Counter Ramps switching circuit. That start occurs at the beginning of the slow ramp discharge. When the level of the slow ramp decreases to the fixed reference level, a STOP signal generated by a comparator in the Jitter Counter Ramps circuit halts the count. The 8-bit count bytes held in the Jitter Counters are then read by the System Processor via address-selected bus buffers as two measures of the time difference between the trigger point and the sample clock. Since the timing between the two ramps is not identical (but both times are referenced), one measurement may have been made with better slope characteristics than the other (over a more linear portion of the discharge curve). The count producing the least ambiguity is used by the System Processor to correctly position the waveform samples in the memory when repetitive sampling is done.

### Calibrator (fig. FO-21)

The Calibrator circuitry shapes the CALCLK signal from the Time Base Controller to produce a signal with a faster rise and fall time and very precise amplitude. Frequency of the Calibrator signals changes (within limits) as the SEC/DIV switch changes. Signal amplitude is 400 mV (starting from zero), and the effective output impedance is 50  $\Omega$ .

## System Clocks (fig. FO-15)

The System Clocks circuitry produces the fixed-frequency clock signals used throughout the scope. A 40 MHz crystal-controlled oscillator circuit produces the master clock signal that is divided down to provide the various system clocks that are needed. Some of the special clocks generated are the CCD Data Clocks, used primarily to switch the analog signal samples from the CCDs to the input of the A/D Converter and switch the converted data bytes to the Acquisition Latches. The reference frequency (either 4 MHz or 5 MHz) to the Phase Clock Array in the CCD Clock circuitry (fig. FO-19) is also selected by the System Clocks circuitry. A Secondary Clock Generator state-machine circuit produces three clocking signals to the Waveform Processor to control the activity of that device.

## High Voltage Supply and CRT (fig. FO-28)

The High Voltage Supply and CRT circuitry provides the auxiliary voltages needed by the CRT to produce a display. Focus, intensity, trace rotation, astigmatism, geometry, Y-Axis alignment, heater, and cathode-to-anode accelerating voltage are all provided by the various circuits included. These circuits are: the High Voltage Oscillator, the High Voltage Regulator, the +61 V Supply, the Cathode Supply, the Anode Multiplier, the DC Restorer, the Focus and Z-Axis Amplifiers, the Auto Focus Buffer, and the various CRT adjustment potentiometers.

## System I/O (fig. FO-29)

The System I/O circuits provide the interfaces between the scope and external devices that may be connected. Included in the interfaces is a standard general-purpose interface bus (GPIB) that permits two-way communication between the System Processor and a GPIB controller or other IEEE 488-1980 compatible GPIB devices. The GPIB interface permits waveforms, front-panel setups, and other commands or messages to be both sent and received by the scope,

### NOTE

*The optional Word Recognize Probe is not issued with the OS-291/G.*

A second interface is the Word Trigger circuitry used to control the word recognition patterns of the optional Word Recognize probe. All firmware and hardware (including connectors) required for use of the Word Recognize probe is supplied as standard equipment. A trigger produced by the probe ( $\overline{VDTTL}$ ) may be internally selected to trigger the scope, and it may be supplied to an external device via the WORD TRIG OUT connector on the rear panel.

Three BNC connectors comprise a third interface which is used to help control the AutoStep Sequencer. SEQUENCE IN is an input that accepts TTL-compatible signals for starting a sequence and stepping a paused sequence. SEQUENCE OUT is an output that issues a TTL-compatible signal upon the completion of a sequence. STEP COMPLETE is an output that issues a TTL-compatible signal to indicate when a step in sequence is complete. For all three inputs/outputs, the negative edge of the TTL signal triggers/signals the event.

An audible alarm bell is provided to give the user warning of events that may require attention. GPIB errors are typical events that produce the warning bell so that a user may take notice of the error event. Another instance that causes the warning bell is an attempted call-up of an invalid operating condition from either the front panel or the GPIB. Typically, warning and error messages are also displayed on the CRT to aid the user in determining the nature of the problem.

## Low Voltage Power Supply (fig. FO-31)

The majority of the low voltages required to power the scope are produced by a high-efficiency, switching power supply. Input AC power of either 115 V or 230 V within the frequency range of 48 Hz to 400 Hz is rectified and used to drive a switching circuit at a frequency of about 50 kHz. A smaller power transformer is possible with the higher frequency switching, and much more efficient power transfer is possible. Regulation of the power to the switching transformer is controlled by a pulse-width modulator (PWM) using feedback from one of the rectifier transformer outputs. The PWM controls the on-time of the switching transistors that deliver energy to the transformer primary winding. If the feedback voltage is too low, more energy is supplied by turning on the switching transistors longer. Automatic overvoltage and overcurrent sensing circuits shut down the switching if either type of overload occurs. The AC input has an interference filter, primary line fusing, and a thermal cutout that shuts down the power supply in the event of overheating.

## Low Voltage Regulators (fig. FO-32)

The Low Voltage Regulators remove AC noise and ripple from the rectified output voltages from the power transformer. Each regulator automatically current limits the output and prevents the current from exceeding the normal power limits. This limiting prevents further possible damage to the power supply or other scope circuitry. Each of the power supply regulators controls its output voltage level by comparing the output to a known voltage reference level. To maintain stable and well-regulated output voltages, highly stable reference voltages are developed for making the comparisons.

# DETAILED BLOCK DIAGRAM DESCRIPTION

## INTRODUCTION

This description of the Detailed Block Diagram (found in the "FO" section of this manual) provides an overview of the operation of many of the circuits and their functions. The emphasis is on the acquisition system, and a "signal flow" approach is used as much as possible. No attempt is made in this discussion to specifically cover all the circuitry shown on the block diagram, though most is covered in general as it relates to those areas described in detail. The components discussed for each schematic diagram are generally outlined in functional blocks on their corresponding schematic diagram. These "function blocks" also appear on the "Detailed Block Diagram" within outlined areas that correspond to the schematic diagrams. Refer to both the Detailed Block Diagram and the Schematic Diagrams as needed while reading the following description.

## INPUT SIGNAL CONDITIONING AND ANALOG SAMPLING

Signals applied to the CH 1 and CH 2 input connectors are coupled to their respective attenuators. The CH 1 and CH 2 attenuators (fig. FO-17) are settable for 1X, 10X, and 100X attenuation, with input-coupling mode choices of AC, DC, and GND. Input termination resistance of either 1 M $\Omega$  or 50  $\Omega$  is selectable with the DC input coupling choice. The attenuation factor, input coupling mode, and input termination settings for each input are controlled by the System Processor (fig. FO-5) through the Attenuator Control Register (fig. FO-17), based on the Front Panel control settings chosen by the user.

The attenuated CH 1 and CH 2 signals are buffered by their respective Preamps (fig. FO-17) before they are passed on to the Peak Detectors. Preamplifier gain is controlled by the System Processor using a serial control-data line via the Miscellaneous Register (fig. FO-5) and the DAC MUX (digital-to-analog converter multiplexer) Select circuit. Serial data is clocked into the internal register of the Preamps via the Control Register Clock Decoder (fig. FO-12). As with the attenuator settings, the gain-setting data output by the System Processor depends on the user-selected Front Panel control settings. The range of attenuation settings coupled with the gain-control settings of the Preamps allows the complete range of available VOLTS/DIV switch settings (from 2 mV to 5 V) to be obtained.

In addition to signal gain and input signal buffering, the Preamps convert the single-ended input signal to a double-ended differential output signal that improves the

common-mode rejection ratio. Input ports used to control the DC Balance, the Variable VOLTS/DIV gain, and the Vertical Position are provided in the Preamp stages. Analog control voltages to these inputs are developed by the System DAC and routed to the Preamps via the DAC MUX/O Sample-and-Hold circuit (fig. FO-12). Trigger pickoff circuits in each Preamp provide a sample of the vertical signal that may be selected by the Trigger circuitry as the trigger signal source.

The differential output signals from the Preamps are applied to their corresponding Peak Detector. Input amplifiers within the CH 1 and CH 2 Peak Detectors (fig. FO-18) buffer the applied signals and provide a constant input resistance of about 75  $\Omega$  to those signals. The buffered signals are then either amplified further or "peak detected" and amplified, depending on the acquisition mode setting.

The System Processor controls the operating mode of the Peak Detectors via control data writes to the Acquisition Control Registers (fig. FO-12). Some of the resulting digital outputs drive control inputs on the Peak Detectors, while others control the enabling and disabling of the Peak Detector clock signals from the CCD (charge-coupled device) Phase Clock Generator (fig. FO-19). The effect of this combined action depends on the acquisition mode selected. For NORMAL and AVG (average) acquisition modes, the peak-detect function of the Peak Detectors is disabled and the input signals are only amplified for application to the CCDS. For ENVELOPE mode, however, the peak-detect portion of the internal circuitry is enabled and the maximum and minimum signal amplitude levels that occur during a sampling interval are detected. Those maximum and minimum values are then amplified and passed on to the CCDS.

Other inputs to the Peak Detectors control the input amplifier Bandwidth Limit setting (FULL, 50 MHz, or 20 MHz) and provide for the application of the calibration signal used for instrument calibration and self diagnostics. Calibration voltage levels applied to the Peak Detectors are generated by the System Processor via the System DAC (fig. FO-12), DAC MUX 3, and the Cal Ampl circuit (fig. FO-13). The System Processor selects between either the normal signal inputs or the calibration signal inputs using data written to the Acquisition Control Registers. The bandwidth of the input amplifiers of the Peak Detectors is also controlled via the Acquisition Control Registers, based on the user-selected Bandwidth Limit setting.

The signal-sampling process of CCDs (fig. FO-18) requires that two differential-signal pairs be available from each Peak Detector. Each CCD will use one or both

output pairs as input signals, depending on the analog sampling mode. Briefly, the FISO (fast-in, slow-out) sampling mode requires 1056 samples to be shifted into each CCD. Half of the samples for a channel (528) are shifted into one side of one CCD, and the other half are shifted into the second side of the same CCD. The first pair of differential outputs are shifted into a pair of internal registers in one half of the CCD on the same phase of the sample clock. The second pair of differential output signals are identical to the first pair. This second pair is shifted into the two internal registers of the second half of the CCD on the opposite phase of the same sample clock used to shift in the first pair of output signals. This method of sampling produces a maximum sampling rate of 100 megasamples per second using a 50 MHz clock frequency. A second sampling method, called the "Short-Pipeline" mode, uses only half of each CCD and samples only one of the output signal pairs from the Peak Detectors. FISO and Short-Pipeline analog sampling modes are both discussed later in this description and in the "Time Base Controller and Acquisition Memory" portion of the Detailed Circuit Description.

Each differential output signal pair from the Peak Detectors is monitored by a separate Common-Mode Adjust circuit. These Common-Mode Adjust circuits (fig. FO-18) compare the common-mode voltage against the common-mode adjust voltage output by the System DAC. The common-mode adjust voltage is set by the System Processor to control the overall gain of the CCDs based on calibration constants stored in the System Processor nonvolatile RAM (fig. FO-5) as the result of a self calibration.

The common-mode adjusted signal pairs (two per Peak Detector) are applied to their corresponding sides of the CCDs. There, they are analog sampled. The process consists of converting the analog voltages into individual charged "packets" having a charge directly related to the voltage amplitude of the signal sample.

At SEC/DIV settings of 50  $\mu$ s and faster, the signals are sampled at a faster rate than the maximum conversion rate of the A/D Converter. This mode is the "fast-in, slow-out" (FISO) sampling mode. When enough samples have been stored in the parallel register array of the CCDs to fill a waveform record after a trigger event, sampling stops (fast-in). The stored analog samples are then clocked out of the CCD arrays at a rate that the A/D Converter can handle (hence, slow-out). For SEC/DIV settings slower than 50  $\mu$ s, the Short-Pipeline sampling mode is used. In Short-Pipeline, the acquisition rates are slower than the maximum digitizing rate of the A/D Converter. Samples are taken at a constant rate in Short-Pipeline mode, but to account for the slower acquisition rates needed for each successively slower SEC/DIV setting (from 100  $\mu$ s to 5 s), samples that are not needed are ignored. Short-Pipeline mode is so named

because the samples do not fill all of the parallel registers within the CCDs, but take a "short" serial path through the CCDs (see the "Detailed Circuit Description" for more information).

Analog samples are continually clocked into the CCDs by the output clocks of the CCD Phase Clock Array until a valid trigger is recognized by the Acquisition System. The Time Base Controller (fig. FO-16) provides the reference frequency to the CCD Phase Clock Array via the Reference Frequency Selector and the Phase-Locked Loop circuit (fig. FO-19). Dividers in the CCD Phase Clock Array synthesize the clocking frequencies needed for saving the acquisition at the different SEC/DIV settings. The Time Base Controller also controls the acquisition mode (FISO, Short-Pipeline, or ROLL) and the storing of acquired samples into the Acquisition Memory.

At this point in the sampling process the Time Base Controller is waiting for a triggering gate from the Trigger System to complete the acquisition (see "Acquisition Process and Control"). Extra pretrigger samples acquired while waiting for a trigger will either be flushed out of the output wells of the CCDs (FISO mode) or converted and stored in the circular Acquisition Memory (fig. FO-16), but not moved to the Save Memory (Short-Pipeline mode). The exception to this is ROLL mode; a trigger event is not required for ROLL acquisitions. Digitized data is moved through the Acquisition System to continually update the display with each waveform data point acquired.

## ACQUISITION PROCESS AND CONTROL

To do a waveform acquisition, the System Processor addresses the internal instruction registers within the Time Base Controller and then writes the setup data into the registers. The setup data defines the acquisition mode (FISO, Short-Pipeline, or ROLL), the time base clocking rate (for the SEC/DIV setting), the trigger position, and other instructions for how an acquisition is to be made.

Once the setup data is in the Time Base Controller instruction registers, the System Processor generates a strobe that starts the acquisition and turns control of the Acquisition System over to the Time Base Controller. The Time Base Controller then begins monitoring the CCD Phase Clocks to determine when an adequate number of analog samples are in the CCDs to fill the pretrigger requirements. When those samples have been obtained, the Time Base Controller enables the Trigger Logic Array (fig. FO-19) to accept a trigger and begins looking for a triggering gate from the Trigger Logic Array (via the CCD Phase Clock Array). This waiting period is the continuous analog sampling state for the CCDs referred to at the end

of the “Input Signal Conditioning and Analog Sampling” discussion.

With the Trigger System enabled, the A/B Trigger Generator (fig. FO-19) monitors the selected source for a signal that meets the analog triggering criteria. Source selection and triggering criteria are controlled by serial data writes from the System Processor (via the Data MUX Select circuit) based on the Front Panel settings selected by the user. When the analog triggering conditions are met, the A/B Trigger Generator gates the Trigger Logic Array. Once enabled, the Trigger Logic Array monitors other triggering criteria (Trigger Mode, Delay Time setting, Hold Off timing, etc.) to determine the actual “Record” trigger point in the waveform data record. The System Processor writes data control bits defining the Trigger Logic Array operating mode to the internal registers of the Trigger Logic Array via the Acquisition Control Registers.

When the Trigger Logic Array determines that the additional triggering conditions are also met, the Time Base Controller is gated (via the CCD Phase Clock Array), and the post-trigger samples are taken (if required) to finish the acquisition. How the acquisition is completed after the trigger point is determined, depends on the analog sampling mode in effect.

### FISO Mode

For FISO mode, the CH 1 and CH 2 CCDs must each hold 1024 samples (plus some extra samples used in locating the correct trigger point). After the trigger event, the Time Base Controller counts a sampling clock from the CCD Phase Clock Generator to determine when enough post-trigger samples have been shifted into the CCDs to finish the acquisition. When the record is filled, the analog sampling process is stopped by disabling the sampling clocks output by the CCD Phase Clock Generator. Converting the stored analog information into digital data and saving it into the Acquisition Memory is then started. Both the “conversion” and “save” aspects of the acquisition process are discussed in “Analog Data Conditioning and A/D Conversion” and “Acquisition Processing and Display.”

### Short-Pipeline Mode

For Short-Pipeline acquisitions, each CCD can contain only 37 samples before the “pipe” is full. This means that samples must be continuously shifted through the digitizing process and into Acquisition memory as the samples are being taken. Since the pretrigger and post-trigger distribution of the data in the acquisition record is not defined until a trigger occurs, converted data is continually stored in the Acquisition Memory. If the Acquisition Memory space should become filled before a trigger occurs, newly acquired data will simply displace the old

in a circular manner (oldest data replaced first). After a trigger, the Time Base Controller counts another sampling clock to determine when enough samples have been moved into the Acquisition Memory to satisfy the post-trigger requirements and then turns the Acquisition Memory space over to the Waveform Processor. The Waveform Processor transfers the samples into the Save Memory for eventual display.

## DATA CLOCKING TO ACQUISITION MEMORY

### FISO Mode

In FISO mode, the Time Base Controller signals the CCD Phase Clock Array (U470, fig. FO-19) to begin clocking waveform samples out of the CCDs. The Time Base Controller monitors the Trigger Location signals from the CCD Phase Clock Array to determine precisely where in the acquisition the trigger occurred. When the samples not needed to fill the 1024-point waveform record have been clocked out so that only the samples properly positioned around the trigger point remain in the CCD, the Time Base Controller enables the save acquisition clocking to begin moving the digitized samples from the A/D Converter into the Acquisition Memory, thus saving the waveform record. (See “Detailed Circuit Description” for more trigger point location information.)

To do a waveform save, the Time Base Controller is selected to control writing into the Acquisition Memory via the Memory Mode Control circuit (fig. FO-16). The SAVEACQ clock circuitry is then enabled to pass a 2 MHz clock signal (D<sub>2</sub>4XPC) from the CCD Data Clock circuit (fig. FO-15) to do the memory writes at the FISO rate.

The memory write clock also increments the Acquisition Memory Address Counter to provide the address for writing the next data point into the Acquisition Memory. The address is latched into the Record-End Latch during each memory write so that the beginning of the acquisition record can be determined when the Acquisition Memory is accessed later.

As the samples are being moved into the Acquisition Memory, the Time Base Controller monitors clocks from the CCD Data Clock circuit to determine when the 1024 digitized samples (per each channel) are saved. The Time Base Controller then stops writing to the Acquisition Memory by disabling the write clock and switches control of the memory to the Waveform Processor (again, via the Memory Mode Control circuit). The Time Base Controller then strobes the Waveform Processor (fig. FO-6) to signal that the acquisition is complete and the waveform data is available for processing and display.

### Short-Pipeline Mode

For Short-Pipeline mode, the Time Base Controller generates an enabling clock that controls the 2 MHz write

clock to the Acquisition Memory. The correct enabling rate of the  $\overline{\text{SAVEACQ}}$  write clock for the selected SEC/DIV setting is synthesized within the Time Base Controller, using a CCD Data Clock input to obtain the base frequency. This enabling clock turns on the controlling gate circuit to pass only two  $\overline{\text{SAVEACQ}}$  clocks (via the Mode Control Circuit) to write to the Acquisition Memory, saving one digitized data point per channel (two in Envelope Mode—one max and one min per channel). Then the synthesized clock from the Time Base Controller disables the  $\overline{\text{SAVEACQ}}$  clock for a certain number of clock cycles. Specifically, the number of ungated clock cycles equals the SEC/DIV setting divided by 50  $\mu\text{s}$ , i.e., four clock cycles at a SEC/DIV setting of 200  $\mu\text{s}$ . Therefore, the samples saved in the Acquisition Memory in Short-Pipeline mode produce a constant 50 samples per horizontal division when displayed, regardless of the SEC/DIV setting.

The remainder of the Short-Pipeline save operation is similar to a FISO save. The Acquisition Memory Address Counter is incremented by the clock that writes data to the memory as in FISO, but at the synthesized rate rather than at the 2 MHz FISO rate. As in FISO, the Trigger Location information is used to determine the trigger point location. Enough samples are saved into memory after the trigger point is found to fill the post-trigger requirements before turning control over to the Waveform Processor.

## ANALOG DATA CONDITIONING AND A/D CONVERSION

Both pairs of the differential output signals from the CH 1 and CH 2 CCDs are applied to the inputs of the corresponding pairs of Single-Ending Amplifiers (fig. FO-22). Each amplifier converts the differential signal clocked to its inputs to a single-ended output signal. That signal is used to drive the input of a corresponding Sample-and-Hold circuit (also shown on fig. FO-22).

The CCD Data Clocks and the CCD Output Sample Clocks (fig. FO-15) control the timing between when the signals are coupled to their corresponding Sample-and-Hold circuits and when the Sample-and-Hold circuit outputs are coupled to the single analog input of the A/D Converter (fig. FO-23). Briefly for FISO mode, the timing is as follows:

1. A CCD Output Sample clock gates the outputs of both CH 1 Single-Ended Amplifiers to the input of their associated Sample-and-Hold circuit. There, the input levels are sampled, and the gating is then disabled to hold the sampled level on the Hold capacitors. One of the CH 1 Sample-and-Hold output circuits is then gated on to pass the sample level to the A/D Converter for digitization.
2. While the output level of the first CH 1 Sample-and-Hold is gated to the A/D Converter, a CCD Output Sample clock gates the outputs of the CH 2 Single-Ended Amplifiers to their corresponding CH 2 Sample-and-Hold circuits. Both the first CH 1 Sample-and-Hold outputs and the inputs to the CH 2 Sample-and-Hold circuit are then ungated, and the first CH 2 Sample-and-Hold output circuit is gated onto pass its held signal level to the A/D Converter.
3. The first CH 2 output is then ungated, and the second CH 1 Sample-and-Hold output and the second CH 2 Sample-and-Hold output are gated on in succession to couple their held levels to the A/D Converter. This multiplexing process continues until 512 samples from both sides of the two CCDs have been converted.

### NOTE

*The samples are clocked through each side of the CCD at a 500 kHz rate, resulting in an output sampling rate of 1 MHz per channel. Also note that the 4-to-1 gating of the two channels and their respective outputs results in a 2 MHz time-multiplexed (4-to-1) signal to the A/D Converter,*

For Short-Pipeline sampling mode, the gating for the inputs to the Sample-and-Hold circuits is the same as in FISO mode. However, since only one side of each CCD is used per channel, only one pair of differential outputs (per CCD) and the corresponding Single-Ended Amplifier and Sample-and-Hold circuits transfers valid waveform samples to the A/D Converter. The Short-Pipeline mode save-acquisition clocking ensures that only the valid converted data is saved (see "Short-Pipeline Mode" in "Acquisition Process and Control"). Observe, however, that the signal to the A/D Converter is still a 2 MHz time-multiplexed signal, but with invalid data half of the time. Since the invalid data is, in effect, discarded by the Short-Pipeline Mode save-acquisition clocking, the A/D Converter continues to operate at a constant 2 MHz conversion rate as in FISO mode.

The time-multiplexed signal is applied to the input of the A/D Converter circuit for digitization. The System Clocks circuit (fig. FO-15) provides a 2 MHz clock to the converter, for a 2 MHz data-conversion rate of the input signal. The resulting digital output byte is applied in four 8-bit bytes to the Acquisition Latches (fig. FO-23).

For Normal and Average Acquisition Modes, data is clocked into the Acquisition Latches by the same 2 MHz clock used by the A/D Converter. Enabling of the outputs of the Acquisition Latches is controlled by the CCD Data clocks in a sequence that ensures that the data clocked out from the enabled latch corresponds to the CCD side and Sample-and-Hold circuit that provided it. The 8-bit

sample bytes are then saved in Acquisition memory in the same order they were obtained. This “structured” method for saving acquisitions keeps the data in the correct time sequence for display.

For Envelope Mode, the Time Base Controller disables continuous gating of the 2 MHz clock to the Acquisition Latches. This action turns over the gating of that clock to the Envelope Min-Max Comparators (fig. FO-23). With the 2 MHz clock ungated, the CCD Data Clocks will continue to control the enabling of the outputs of the acquisition latches as described, but the new data bytes are not continually clocked into the latches. The result is that only the data bytes clocked in by the Envelope Min-Max Comparators are sequentially clocked to the Envelope Data bus in the following order: CH 1 max, CH 2 max, CH 1 rein, CH 2 min. This is the same order in which the analog samples are clocked into the A/D Converter.

The output of the A/D Converter is fed to the Envelope Min-Max Comparators (fig. FO-23). The outputs of the Acquisition Latches are also fed back to those comparators. Due to the previously described timing action of the CCD Data Clocks, the newly digitized minimum or maximum value from the Peak Detectors (see “Input Signal Conditioning and Analog Sampling”) is compared to the last value latched into the Acquisition Latch that corresponds to the new point. If the newly acquired point is outside the previous minor max value, the appropriate Envelope Min-Max Comparator gates the 2 MHz clock, and the new data byte is latched into the corresponding acquisition latch.

## ACQUISITION PROCESSING AND DISPLAY

### Data Transfer to SAVE Memory

Once the 1024 digitized signal bytes per channel are in Acquisition Memory, the Time Base Controller ungates the **SAVEACQ** clock and switches the Memory Mode Control circuit to the Waveform Processor. It also signals the Waveform Processor, via the Display Status Buffer (fig. FO-6), that the acquisition is complete. The Waveform Processor can then access the Acquisition Memory.

When the Waveform Processor reads the acquisition done (ACQDN) signal from the Time Base Controller, it writes an address (via the Address Latch) which is decoded by the Register Address Decoding circuit (fig. FO-6). The decoded address signals the Record-End Latch (fig. FO-16) to enable its contents (the last addressed memory location for the stored acquisition) to the Waveform Processor data bus to be read to determine the location of the last record byte stored. The Waveform Processor then uses that location to determine the location of any byte in Acquisition Memory.

The Waveform Processor outputs (via its Address Latch) addresses to the Address Counter for Acquisition Memory. The Address Counter is held in its load mode by the Waveform Processor (via the Memory Mode Control circuit), passing the address through to Acquisition Memory. The Waveform Processor enables the Acquisition Memory and provides the clocks (via the Memory Mode Control circuit) to move stored data out to the Waveform Data bus via the Data Bus buffer. This data is written either into the Waveform Save Memory or into an internal register of the Waveform Processor for processing, depending on the display requirements.

Most transfers from Acquisition Memory are straight out of Acquisition Memory, through the Waveform Data Buffer, and into a corresponding memory location in Waveform Save Memory. However, the Waveform Processor sometimes disables the Waveform Data Buffer and reads the data directly into its own internal register via the Data Bus Buffer. The Waveform Processor then processes it according to tasks assigned by the System Processor, using routines stored in its own ROM. For instance, in Envelope mode the Waveform Processor will read (into a second internal register) the corresponding byte stored in Waveform Save Memory from the previous acquisition. If the new byte, stored in the first internal register, is determined to be a new max or min value, the Waveform Processor uses it to replace the previous value in Waveform Save Memory.

It should be noted that the Waveform Save Memory is a paged RAM memory. The Waveform Processor uses a paged address scheme to load waveform data into one of six possible sections, depending on the source (CH 1 or CH 2) or the destination (REF1, REF2, etc) of the waveform. Observe also that the Waveform Save Memory RAMs are nonvolatile, allowing for preservation of the waveform data stored in each of the six sections. See the “Detailed Circuit Description” for more information concerning the structuring of the Waveform Save Memory.

### Data Transfer to Display Memory

Once an acquisition is stored in the Waveform Save Memory, it must be moved to the proper locations in Display Memory, from where it is converted back to an analog signal for display. The Waveform Processor updates each section of Display Memory at the proper time, based on internal routines stored in Waveform Processor ROM and timing supplied by the Secondary Clocks via the Waveform Processor Clock and BusGrant Decoding circuit. The Waveform Processor also writes attribute changes (such as changes in horizontal position) to the Display Memory (when assigned the task by the System Processor).

The Waveform Processor addresses (in parallel) both the Waveform Save Memory and the Display RAMs via the Address Multiplexer (fig. FO-25). The System Processor gates the address through to the Display Memory (the



Vertical, Horizontal, and Attribute RAMs on fig. FO-24) via the Display Control Register (fig. FO-25). The Waveform Processor then clocks the data out of its memory into the appropriate Display RAM.

### Data Transfer to Display DACS

When the System Processor initiates the display of the data stored in Display Memory, it writes (via its data bus) the starting address of that data to the Display Counter (fig. FO-25). It also outputs an address that latches, via the Register Select Circuit, the starting address into the Display Counter. Simultaneously, data from the System Processor initiates, via the Display Control Register (fig. FO-25), a strobe to the Display State Machine. The Display State Machine then signals the Address Multiplexer, gating the address(es) output by the Display Counter through to Display Memory (fig. FO-24), and begins to gate a clock from the Display Clocks circuit to the Display Counter. The Display Counter increments for each (display) clock cycle, accessing successive addresses in Display Memory as the System Processor clocks the data out of Display Memory.

The System Processor uses data writes to the Mode-Control Register (fig. FO-25) to select which portion of the Display Memory (Vertical, Horizontal, or Attribute) or which register (Volts Cursors or Time Cursors) is selected for output to the Vertical or Horizontal DACs. The System Processor also uses the Mode-Control Register to select, via the Horizontal Data Buffers, whether the waveform data in the Horizontal RAM is applied to the Horizontal or Vertical DAC, allowing either YT or XY displays.

It should be noted that the incrementing addresses supplied via the address latch are also applied to the Ramp Buffer. Since each incremental address corresponds directly to the data byte it addresses, and since the output of the Ramp Buffer (fig. FO-24) will be converted to a staircase waveform by the Horizontal DAC, the addresses can provide the horizontal deflection (or "ramp") necessary for YT displays.

### Data Display

Data, waveform or other, is converted to two complementary output currents by each Display DAC. These

currents are analog in nature, but reflect the  $\pm 256$ -bit resolution of the DACs. Therefore, the current outputs are a series of discrete analog levels (or steps, if the current is varying), each level corresponding to the 8-bit byte applied to the DAC.

The differential current outputs from the Horizontal and Vertical DACs are converted to single-ended voltages at the input to the Display Output circuitry. Those voltages then drive either the corresponding Horizontal and Vertical Vector Generators (fig. FO-26) for vector displays or the Horizontal and Vertical Output Amplifiers directly for dot displays.

The Vector Generators consist of a High-Current Difference Amplifier, a Sample-and-Hold circuit, and an Integrator to produce the vectors that connect the sample points in the display. Signals for vectored displays are continuously sampled and held, and integrated. The input voltage integrated is the difference between the voltage level of the sample presently being held and the integrated level of the sample immediately preceding it. This action allows a smooth transition between the individual steps for a continuous display.

A Display Mode Switcher selects between the Vector Generator signals, a dots-only signal or an envelope display signal. With Envelope mode selected, the signal is passed through an RC integrator that produces vectors between the min-max data points of the Envelope Mode display.

The System Processor, based on Front Panel settings, selects the display mode for the Vertical and Horizontal Vector Generators. The selected input, either Vector, Dot, Envelope, or Readout inputs, from each Vector Generator is coupled through to its corresponding Vertical or Horizontal Output circuit (fig. FO-26). There they are amplified and converted from single-ended to double-ended, to drive the Vertical or Horizontal plates of the CRT (fig. FO-28). Both Vertical and Horizontal Output circuits have voltage offset and gain adjustments and are compensated for "spot wobble" (variations in beam placement on the CRT screen with variations in beam intensity) by the Intensity circuit (fig. FO-13) via the Spot-Wobble Correction circuit.

# DETAILED CIRCUIT DESCRIPTION

## SYSTEM PROCESSOR

The System Processor (fig. FO-5) is the control center of all operations in the scope. It consists of an 8-bit microprocessor, an 8-bit data bus, a 16-bit address bus, a prioritizing interrupt system, hardware address decoding, nonvolatile RAM space, and 272 K of bank-switched ROM.

The System Processor circuitry also coordinates the functions of the two other microprocessors in the scope, the Waveform Processor and the Front Panel Processor.

### System Processor

System Processor U640 executes instructions stored in the System ROM in order to initiate and control the various functions of this scope. Internally, the microprocessor has 16-bit data paths; externally it has an 8-bit data bus for communication and a separate 16-bit address bus. No address/data bus demultiplexing is necessary. The Processor is driven by an external 8 MHz clock that is divided by four internally for a 2 MHz cycle rate. The number of cycles per instruction varies from a minimum of 2 to a maximum of 20, with the average being about 4 cycles per instruction. The Processor executes, on the average, 1/2 million instructions per second.

System Processor U640 generates three signals used to control the communication activities of external circuitry. Of these signals, E and Q are for timing purposes. The rising edge of Q signals that the address on the bus is valid; data to the Processor is latched on the falling edge of E. The third signal generated is the R/W signal. It is valid the same time the address is valid, and its state (LO or HI) determines whether an addressed device is written to or read from.

The E signal (U640 pin 34) and the Q signal (U640 pin 35) are ORed together by U840D to generate the HVMA (Host Valid Memory Address) signal. When HVMA at U840D pin 11 is HI, the address on the bus is valid. Once the external circuitry receives a valid address signal, it proceeds with the specified memory access. The signals used to enable and time these accesses are  $\overline{RD}$  (read) and  $\overline{WR}$  (write).

The  $\overline{RD}$  signal is derived from U844A, which NANDs the HVMA signal with the Processor  $R/\overline{W}$  signal. Inverting buffer U572C provides added driving power to the  $R/\overline{W}$  signal, and inverting buffer U866D reinverts it back to its original polarity before it is applied to NAND-gate U844A. The output of U844A is the  $\overline{RD}$  signal, whose falling edge indicates the start of a read cycle. The rising edge of  $\overline{RD}$  is

coincident with the latching of the data read into Processor U640.

The  $\overline{WR}$  signal is derived from an inverted version of the Processor  $R/\overline{W}$  signal (via U572C) with a buffered Processor Q signal (via U880D) NANDed by U844B. The output of this NAND-gate is a signal with a falling edge that indicates the start of a write cycle to the addressed device and arising edge that latches data from the Processor into the addressed device. The Q signal is used here instead of HVMA (as was used to generate  $\overline{RD}$ ) to produce a data hold time of more than 100 ns as needed by the oscilloscope Time Base Controller circuitry.

### Data Bus Buffer

Data Bus Buffer U650 provides buffering of the data bus lines. It is bidirectional to enable two-way communication between the System Processor and the data bus. In normal operation, jumper J126 will connect the chip-enable pin to ground, and the buffer is enabled to transfer data. The direction of the transfer is controlled by the  $R/\overline{W}$  signal from the System Processor via inverting buffer U572C.

Moving test jumper J126 to its KERNEL position disables buffer U650 and forces it to its tri-state (high-impedance output) mode. The pull-up and pull-down resistors on the data bus lines, R742, R746, and R744, place an instruction byte on the Processor data bus that causes the Processor to repeatedly increment the addresses placed on its address bus lines through their entire range. This procedure is a troubleshooting aid that exercises a good portion of the address-decoding and chip-select circuitry.

### Address Buffers

Address Buffers U632 and U730 provide buffering of the System Processor address lines to the various addressable devices. The buffer chips are permanently enabled and provide both current buffering and electrical isolation for the address lines. Test point TP840 is provided as a source of an oscilloscope trigger signal when checking the incrementing address lines in the forced KERNEL troubleshooting mode described in the "Data Bus Buffer" description.

### System ROM

The System ROM (read-only memory) stores the commands and data used by System Processor U640 to execute its control functions. The System ROM is made up of one 16 K by 8-bit memory device, U670, that contains the System Processor operating system, and four page-switched, 64 K by 8-bit memory devices, U680,

U682, U690, and U692, used for storage of all the additional operating routines. This gives a total of 272 K of ROM space. Each ROM is individually enabled by the ROM Select circuitry, and the addressed data will only appear on the system data bus when the  $\overline{RD}$  (read) signal goes LO. Since Processor U640 has the capability to address only 64 K locations and has to address other things besides ROM, the System ROM is split into 17 pages. Address decoders U890A, U890B, and part of PC Register U860 select the page of ROM to be read from to allow the System Processor to access the entire 272 K ROM space.

Immediately after the power-up reset ends, Processor U640 automatically tries to fetch the reset vector (the location of the first program instruction) from locations FFFE(hex) and FFFF(hex) in its address space. Anytime the System Processor tries to access memory, the HVMA (host valid memory address) signal from U840D will be HI during the time the address is guaranteed to be valid. Addresses FFFE and FFFF have bits AE and AF (the two MSBs of the address bus) set HI; therefore, with the HVMA signal HI, NAND-gate U870D outputs a LO that enables U890A, and a  $\overline{ROM1}$  select output is obtained from U890A for both addresses. The  $\overline{ROM1}$  applied to the chip-enable input of ROM U670, along with the LO  $\overline{RD}$  applied to its output enable, outputs the two 8-bit data bytes from location FFFE and location FFFF onto the system data bus via bus transceiver U660. The address contained in these bytes directs the Processor to the start of its program, and the program is started.

When the Processor needs information from one of the other System ROMs, it writes four bits of select data into register U860. Of these bits, PAGE-BIT0 and PAGE-BIT1, applied to 1-of-4 Decoder U890B, select which ROM chip of ROM0 is enabled. PAGE-BIT2 and PAGE-BIT3 are the most significant bits of the ROM addresses and determine which page of the enabled ROM is addressed.

### Power-Up Reset

The Power-Up Reset circuit holds the System Processor U640 reset for 100 ms after instrument power up to make sure that all instrument power supplies are operating properly. This delay ensures that the System Processor begins the operating program with all electrical components in valid (defined) states after the instrument is turned on.

The Power-Up Reset circuit consists of Texas instruments TL7705® Reset Controller IC U942 and some RC timing components. When the instrument is first powered up, the Reset Controller's  $\overline{RESET}$  output is LO, holding the System Processor reset at pin 37. The Reset Controller then monitors the power supply voltage at its SENSE input at pin 7. When the supply voltage at this input reaches operating tolerance, the Reset controller allows an internal current source to begin charging C938 at pin

3. After at least 100 ms (time is determined by the 10  $\mu$ F capacitor C938 and the 200 KW resistor R936), the voltage on C938 triggers an internal comparator in the Reset Controller and the Reset Controller removes the reset at pin 37 of the System Processor by switching  $\overline{RESET}$  HI.

The Power-Up Reset continues to monitor the power supply voltage at its SENSE input. This voltage is divided by an internal voltage divider and continuously compared against an internal voltage reference. If the power supply drops below operating limits for some reason, the Reset Controller drives  $\overline{RESET}$  LO to reset the System Processor, and at the same time, it discharges C938. The normal power-up sequence previously described can then occur when/if the power supply comes back within limits.

In a normal power-down sequence, the System Processor is notified in advance that power is going down via the non-maskable interrupt PWRUP Processor from the Power Up circuit (fig. FO-32). The power supply remains up for a minimum of 10 ms after PWRUP is issued, and the System Processor uses the time to calculate and save calibration constants, front-panel settings, and other information needed when repowered up. Once these "housekeeping chores" are completed, the System Processor sets the PWRDOWN bit HI at pin 15 of U760, which pulls the RESI N (reset in) input of the Reset Controller LO through inverter U254E. This forces the Reset Controller to reset the System Processor as previously discussed.

### NOTE

*If, for some reason, the System Processor does not set PWRDOWN to trigger the reset, the Reset Controller does so when the power supply monitored at the SENSE input falls below operating limits (see previous discussion).*

### Interrupt Logic

The interrupt Logic circuit provides a means by which other sub-systems may interrupt the normal program execution being done by the Processor to request service. Three levels of interrupts are available in Processor U640. The  $\overline{NMI}$  (nonmaskable interrupt) that occurs at power-down has priority over the other two interrupt levels. If either of the other interrupts is present at the same time as the  $\overline{NMI}$ , the Processor gives preference to the  $\overline{NMI}$  and immediately branches to the power-down routine. The power-down routine performs the operations necessary for an orderly shut-down of the scope. A cyclical-redundancy checksum of the data stored in Nonvolatile RAM is calculated and stored back into that RAM. On power-up, that checksum is used to verify the validity of the parameters and settings stored in the Nonvolatile RAM. To prevent a possible 500 overload of

the Channel 1 or Channel 2 input circuitry during times that the instrument is off, part of the power-down routine is to make certain that input coupling is set to a high-impedance state.

The next interrupt in priority after the  $\overline{\text{NMI}}$  is the  $\overline{\text{FIRQ}}$  (fast-interrupt request). It is produced by flip-flop U894A in response to a 2 ms clock signal from the Time Base circuit (fig. FO-16). The 2 ms clock sets the  $\overline{\text{FIRQ}}$  line LO every 2 ms to signal Processor U640 that it is time to do the time-critical tasks like updating the DAC System. When the fast-interrupt request has been serviced, the Processor clears the  $\overline{\text{FIRQ}}$  latched into U894A by outputting address 6012h. This address is decoded by 1-of-8 Decoder U884 to generate a  $\overline{\text{CLRFIRQ}}$  (clear fast-interrupt request) signal that resets flip-flop U894A. Servicing of a fast-interrupt request differs from other interrupt requests in that the contents of only two Processor registers are pushed to an internal stack (instead of all the Processor registers), allowing the Processor to respond faster.

The lowest priority is given to the combined signal forming the  $\overline{\text{IRQ}}$  (interrupt request). This interrupt allows various sub-systems to get attention from the System Processor. NOR-gate U850B outputs a LO when any of the five conditions occur. Inputs to NOR-gate U850B are from: the GPIB (General Purpose Interface Bus), the Display circuitry, the Front Panel, the Waveform Processor, and the Trigger System. Of these, the latter three interrupts may be masked off (disabled) by the Processor by writing LO mask bits into register U760 which are then applied to AND-gates U880A, U880B, and U880C. A LO input to one input of an AND-gate holds the associated output pin LO and prevents an interrupt signal from being gated through to NOR-gate U850B. The Waveform Processor may mask the Display System interrupt (DISDN) from the System Processor by placing a LO on pin 5 (MDISDN) of AND-gate U580B from register U550 (fig. FO-6). The Waveform Processor thereby can gain first access to the Display System if it needs to do display updates before the System Processor sees that the Display System is finished with its last task. When the Waveform Processor is done, it writes the MDISDN interrupt HI to let the System Processor know that it is finished with the Display System and the Display System is ready to be restarted.

When an  $\overline{\text{IRQ}}$  interrupt is detected, the Processor executes a read of location 6010h which is the address of Interrupt Register U654 (an octal buffer). That address is decoded by 1-of-8 Decoder U884 to set  $\overline{\text{INTREG}}$  LO and enable U654. The enabled buffer passes the status of the various interrupt lines at its inputs to the data bus for the Processor to read. From the status bits read, the Processor determines which circuit caused the interrupt and branches to that circuit's interrupt service routine. If more than one interrupt is pending, the System Processor IRQ interrupt handling routine decides which one needs to be

(or can be) handled first. The order in which it handles these interrupts depends on the current activity of the System Processor.

Besides interrupt status, three other status bits are read from the Interrupt Register. These are the DCOK (DC ok) signal from the power supply (checked during the calibration routine register checks), BUSGRANT from the Waveform Processor, and  $\overline{\text{FPDNRD}}$ . DCOK signifies that the various power supply voltages are within proper limits; BUSGRANT indicates that the Waveform Processor has relinquished bus control in its operating space and that those addresses are now mapped into the System Processor address space.  $\overline{\text{FPDNRD}}$  indicates that the Front Panel Processor has read the data sent to it from the System Processor.

### System Address Decode Circuit

The System Address Decode circuit uses several of the system address bits, along with other control signals, to connect the System Data Bus (via the Memory Buffer) to System RAM and ROM (called System Memory, collectively) for those addresses that map to those memories. It also isolates the System Data Bus from System Memory when the System Processor output addresses that map to other memory devices or certain input/output registers. Some control signals are routed from this decode circuit to other circuits and are used to decode enables for those circuits.

**MEMORY BUFFER.** U660, a bi-directional buffer, connects or isolates the System Data Bus from System Memory depending on whether enabled or disabled by the output of AN D-gate U580A. Direction of data transfer is controlled by the  $\overline{\text{WR}}$  (write) line from the system processor. When devices other than System ROM or System RAM are addressed, the buffer outputs are switched to a high-impedance state to isolate the memory devices from the data bus.

**MEMORY MAP.** Figure 3-2 is a memory map showing the different memory areas and the address blocks they occupy on the System Processor and the Waveform Processor Data Bus. Addresses output by the System Processor and/or the Waveform Processor access the memory indicated in the address block depending on how those addresses are decoded. Refer to Figure 3-2 as the address blocks are discussed (both here and later for the Waveform Processor RAM).

As indicated by the memory map, addresses from 0000h-7FFFh are overlapping addresses; that is, if they are originated by the System Processor, they may map to (access) memory locations or registers connected to either the System Data Bus or the Waveform Processor Data bus. If they are originated by the Waveform Processor, they access the memories indicated on the Waveform Processor Bus. The following description of the address

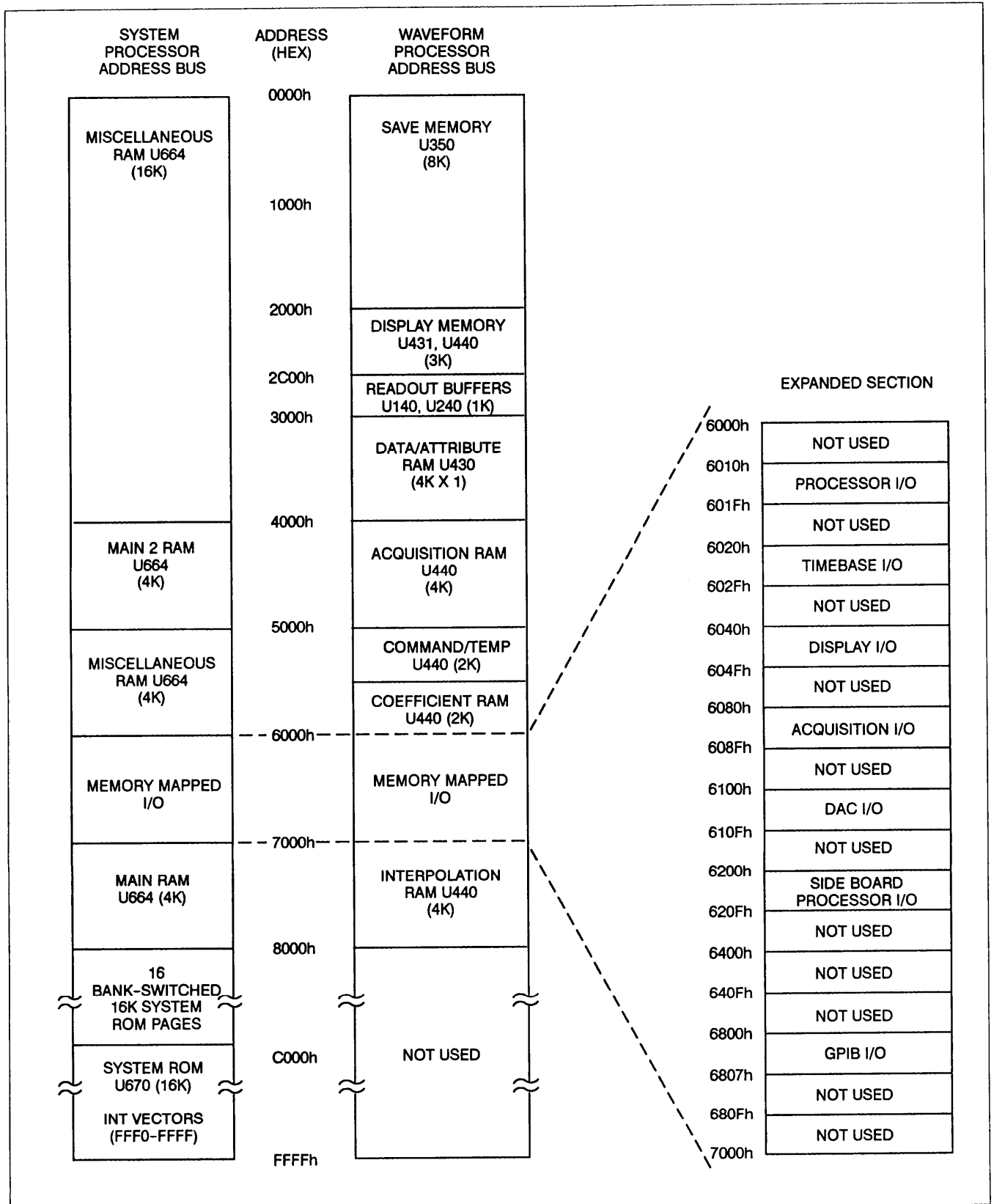


Figure 3-2. Simplified Memory Map of the OS-291/G.

decoding is for System Processor addresses and how the System Address Circuit outputs control signals to the Memory Buffer and to the address decoding circuit for the Waveform Processor (fig. FO-6). For information on how the Waveform Processor's address decoding circuitry uses these signals, see "Waveform Processor Operation" in this section,

**ADDRESSES 8000h-FFFFh.** All addresses from 8000h-FFFFh have AF set HI. This HI is inverted (via U866C) and routed to U580A. With the inverted AF bit holding the input of AND-gate U580A LO, the output of the gate holds the Memory Buffer U660 enabled (LO). As shown in the memory map, all addresses in this range are System ROM accesses and require System Data Bus connection to the System Memory Data Bus. Locations 8000h-FFFFh are not used to address any other memory devices outside System memory (decoding for the paged System ROM was discussed under "System ROM" in this section).

**ADDRESSES 0000h-7FFFh.** All addresses in this range have the AF bit set LO. With AF LO, the inverted AF signal holds a HI at one input to the dual-input AND-gate U580A. The output of this AND-gate (and the enabling of U660) is then controlled by the output of OR-gate U332A.

When the System Processor wants these address ranges to map to the Waveform Processor Data Bus (i.e., wants the System Data Bus and the Waveform Data Bus connected), it either asserts BUSREQ to the Waveform Processor to receive BUSGRANT, or it asserts BUSTAKE to force BUSGRANT. BUSGRANT at the input of OR-GATE U250D forces a HI to the input of AND-gate U862B. If this is not a MAIN or MAIN2 memory access, MAIN and MAIN2 from 1-of-8 Decoder U668 are both HI and U862B output is driven HI by the BUSGRANT. This HI is coupled through U332A and U580A to disable the U660 Memory Buffer and disconnect the System Data Bus from System Memory. MAIN and MAIN2 are routed to decoding circuitry and used to connect the System Data Bus to the Waveform Data Bus (see "System Processor Access" under "Waveform Processor System" in this section).

If either of the host RAM enables MAIN or MAIN2 are LO, the 1-of-8 decoder U668 has decoded address lines AC, AD, and AE to determine that the addresses range from 4000h-4FFFh or from 7000h-7FFFh. In these address ranges, the LO host RAM enable holds off the BUSGRANT-forced HI at the output of U250D from driving the output of AND-gate U862B HI. If the System Processor is accessing these locations in Waveform Processor RAM, it asserts WPRAM HI (Waveform Processor RAM) at the input to OR-gate U332A. This HI is coupled through U332A and AND-gate U580 to disable U660 regardless of BUSGRANT, MAIN and MAIN2. BUSGRANT and WPRAM

are routed to decoding circuitry to connect the System DATA Bus to the Waveform Data Bus.

If the System Processor is NOT accessing Waveform Processor RAM for the 4000h-4FFFh or 7000h-7FFFh address space, WPRAM is disabled LO. With either MAIN or MAIN2 enabled LO, the output of U862B is driven LO. This LO lets OR-gate U332A, and then AND-gate U580A, switch LO and enables Memory Buffer U660 to connect the System Data Bus to the System Memory Bus. The MAIN and MAIN2 memories are then accessed.

If the System Processor is NOT accessing Waveform Processor RAM or a MAIN-section of System RAM, BUSGRANT and WPRAM are NOT asserted HI and MAIN and MAIN2 are not asserted LO. In this case, the output of four-input AND-gate U862A controls the enabling/disabling of the Memory Buffer. U862A combines with AND-gate U432B to form a five-input AND-gate function, with outputs YO-Y3 and Y5 connected to the five inputs. If the address is in the range of 0000h-4FFFh or 5000h-5FFFh, 1-of-8 decoder U668 decodes a LO output to one of the five ANDed Inputs. U862A outputs a LO which is ORed (by U250D) with the disabled BUSGRANT (LO) to hold off AND-gate U862B. The LO at the output of U862B is passed through U332A (WPRAM is LO) and U580A to enable the Memory Buffer and connect the System Data Bus to the System Memory. The LO output of U322A, CYSYS, also enables the System RAM for this Miscellaneous RAM access.

**ADDRESSES 6000h-6FFFh.** Addresses in this range either access devices on the Waveform Processor bus or directly access devices on the System Data Bus. If the address is in this range, U668 decodes Y6, HMMIO LO.

Since Y6 is LO, all other outputs, including those driving the five inputs to AND-function U862A/U432B, are HI. With the five inputs to AND-function U862A/U432B all HI, its output is HI to U862. With the remaining two decoder outputs U862B, MAIN and MAIN2, set HI, AND-gate U862B outputs a HI that holds the Memory Buffer disabled for ALL HMMIO accesses. HMMIO is inverted via U866B and is routed, along with address bits A3 and A4, to decoding circuitry (fig. FO-6) to determine when the System Data Bus connects to the Waveform Data Bus for HMMIO accesses.

### Host Memory-Mapped I/O

To permit the System Processor to control the hardware functions of the scope, several control registers have been assigned to unique addresses within the Processor address space (memory-mapped). These registers appear as blocks of read-only, write-only, or read-write memory to the System Processor. The data bits handled by these registers control specific hardware functions, and the commands written will not violate any hardware restrictions.

Table 3-1  
Host Memory-Mapped I/O

W/R	A1	A0	Output Signal
LO	LO	LO	INTREG (read Interrupt Register)
LO	LO	HI	PMISCIN (Processor miscellaneous inputs)
LO	HI	LO	CLRFIRQ (clears FIRQ flip-flop) <sup>1</sup>
LO	HI	HI	NC
HI	LO	LO	PCREG (write Processor Control Register)
HI	LO	HI	PMISCOUT (write Misc Register)
HI	HI	LO	TVREG (not used)
HI	HI	HI	WDREG (write Word Probe and GPIB LED Register)

<sup>1</sup>To clear the Fast-Interrupt Request, the processor does a read of the assigned address even though an actual register does not exist. The decoded output performs the reset function and no data is transferred.

As mentioned in "System Address Decode Circuit," the block of addresses from 6000h to 6FFFh corresponds to the host memory-mapped input/output (HMMIO) block. Addresses within this block are decoded to produce a LO HMMIO signal to 1-of-8 Decoder U884 and Octal buffer U830. The three MSBs of the I/O address block and the HVMA (host valid memory address) are decoded by 1-of-8 decoder U668 to decode the I/O addresses between 6000h and 6FFFh.

One-of-eight Decoder U884 uses the HMMIO line and address bits A3 and A4 as enabling signals. Address lines AO and A1 and the R/W line from the processor (via inverter U572C), select one of the eight outputs of U884 to go LO when the Decoder is enabled. Table 3-1 shows the registers accessed by this decoding.

Inverting buffer U830, enabled by HMMIO for I/O operations, applies the inverted middle bits of the address bus to various functional modules as selects. The firmware routines will allow only one of these select bits to be set LO at a time. In the selected circuit, further address decoding is enabled. Figure 3-2 illustrates the System Processor address memory map and shows the blocks assigned for memory-mapped I/O. Each of the memory-mapped I/O blocks consists of 16 consecutive addresses from 6000h to 7000h with various functions assigned to specific addresses. These functions include clocks, chip enables, and circuit enables. Each is explained in the descriptions of the circuits they affect.

## System RAM

The System RAM provides temporary storage of data used in execution of the various control functions of the System Processor. In addition, long-term power-off storage of system-calibration constants and front-panel settings is provided, allowing the instrument to power on in the same state it was in when it was turned off.

The System RAM consists of a single memory device. It is nonvolatile RAM, that is, data is maintained when power is off. The Processor U640 controls the direction of data flow via the WR (write) and RD (read) control lines.

### NOTE

*Although all the data in this memory device is backed up and is, therefore, nonvolatile, that part of the System RAM reserved for data that NEEDS to be backed up (such as the calibration constants and front-panel settings) is referred to as NVRAM throughout this section. Parts of System RAM that do NOT NEED backing up are referred to as volatile RAM or just RAM.*

The chip-select circuit for System RAM U664 consists of Q842, Q960, CR944, and associated components. With instrument power off, no bias current for Q960 is available, and the transistor is off.

When instrument power is applied the normal power supplies provide bias currents for the chip-select string between U332A and U664. As the power supplies are coming up, operations on the address bus are undefined, which could cause U332A to try to enable U664. To prevent this, the RESET signal from the Power-Up Reset stage is applied to the base circuit of Q960 through diode CR944. This LO keeps the transistor biased off until the power-up RESET signal returns HI; at which time the data on the address bus is stable.

With normal power on, when OR-gate U332A decodes a System RAM access, its output goes LO to turn off Q842. R956 then pulls up on the base of Q960, turning that transistor on and pulling the chip-select pin of U664 LO to enable the System RAM. The RAM enable is removed when the output of U332A goes HI, turning Q842 back on

and robbing the base current from Q960. With Q960 off, R764 pulls the chip-select input of U664 HI to disable the RAM.

**Misc Registers**

The Mist Registers allow the System Processor to initiate and control various processes by writing control words to two address-decoded locations. The Mist Registers also contain an address-decoded buffer used to read certain bits of instrument status.

The RESET line holds all of the outputs of Processor Control Register U860 LO until the Power-Up Reset goes HI, ensuring that the functions controlled by the register outputs start in known states. To load U860 the System Processor writes data to location 6014h, generating an address-decoded PCREG clock. This rising edge of the PCREG clock when the clock returns HI causes the data on the data bus to be written into the register. Table 3-2 illustrates the select functions of the register output bits.

Operation of U760, the Processor Miscellaneous Output Register (PMISCOUT), is similar to U860 just described. Data is written into the register with the PMISC-OUT (processor miscellaneous outputs) clock when address 60 15h is decoded by U884. Table 3-3 explains register functions.

The Processor Miscellaneous Input buffer (PMISCIN), U854, at address 6011h, allows the System Processor to monitor the activities of various other circuits. By reading the data byte from location 6011h, the System Processor can check for the presence of a Word-Trigger probe and for Waveform Processor and Front Panel Processor interrupts. For diagnostic routines and self-check, correct operation of registers U760, U860, and U754 is verified by writing known values to the diagnostic bits (DIAG0, DIAG1, and DIAG2) then reading them back. If both Hi's and LO's can be written to and read from these diagnostic locations, fairly high confidence may be placed in the addressing and selection of the registers and their data paths.

**Table 3-2  
Processor Control Register Functions**

Bit	Output Name	Output Function
0 1	PAGE-BIT0 PAGE-BIT1	ROM enable selection signals for Bank-Switched System ROM.
2 3	PAGE-BIT2 PAGE-BIT3	Select a page in Bank-Switched System ROM.
4	WPRESET	Resets Waveform Processor.
5	WPKERNEL	Places the Waveform Processor in KERNEL mode for diagnostics.
6	BUSREQ	System Processor requests to take control of the Waveform Processor busses.
7	BUSTAKE	System Processor takes control of the Waveform Processor address and data busses.
8	DIAGO	Diagnostic bit 0- verifies that data can be written to the register.

**Table 3-3  
Processor Miscellaneous Output Register  
(PMISCOUT) Functions**

Bit	Output Name	Output Functions
0	MWPDN	Masks off (disables) Waveform Processor Done interrupt.
1	MSYNTRIG	Masks off Synchronous Trigger interrupt.
2	MFPINT	Masks off Front-Panel interrupt.
3	STEP COMP	Indicates the AutoStep Sequencer has completed a sequence step.
4	SEQOUT	Indicates the AutoStep Sequencer has completed a sequence.
6	BELL	Indicates an event occurred which normally rings instrument's internal warning bell.



## WAVEFORM PROCESSOR SYSTEM

The Waveform Processor System (fig. FO-6) performs the high-speed data-handling operations needed to produce and update displays of acquired data points on the CRT including averaging, enveloping, adding, multiplying, and interpolation of the waveform data. It accepts task information from the System Processor and then carries out the assigned tasks without further need of the System Processor. When that task list has been completed, it sends an interrupt to the System Processor to inform it that another list of tasks can be accepted.

The Waveform Processor memory space is accessible by the System Processor, allowing the System Processor to send commands to the Waveform Processor and to read any desired result or data location especially for the GPIB I/O functions.

### Waveform Processor

Waveform Processor U470 is a specially designed, high-speed microprocessor with a 16-bit multiplexed data and address bus and separate 12-bit instruction-address and 16-bit instruction-data busses. The Waveform Processor is clocked at 2.5 MHz and executes one instruction each clock cycle. Internally the Waveform Processor uses a 32-bit wide instruction word. Therefore, to enable it to obtain a complete instruction for execution with each Processor cycle, instructions are "double-prefetched." Two 16-bit halves of the instruction are fetched from the instruction bus with each cycle at a 5 MHz rate, so that the instruction words are 32 bits wide.

Initially, with power-on,  $\overline{\text{WPRESET}}$  (Waveform Processor reset) from Processor Controlled Register U860 (fig. FO-5) will be LO, holding the processor reset via U270C. This reset remains in effect until the System Processor writes a HI bit to the  $\overline{\text{WPRESET}}$  output of U860 to remove the reset and enable the Waveform Processor. The System Processor also holds the Waveform Processor reset while it is updating the command list in RAM of the next task that the Waveform Processor is to perform. This reset occurs at the completion of each set of tasks given to the Waveform Processor and is released when the new task list is in place in the Waveform Processor Command RAM, U440.

Upon release of  $\overline{\text{WPRESET}}$ , the Waveform Processor fetches the first two 16-bit words from its instruction ROMs, U480 and U490, at a 5 MHz rate and forms them into a 32-bit instruction word. Waveform Processor U470 then executes the first instruction and at the same time it "prefetches" the next 32-bit word from the instruction ROM (the next instruction). The Waveform Processor continues fetching instructions to carry out its internal initialization routine until that is completed, and it then

looks in Command RAM at a vectored location to find the first task in the task list.

The first instruction in the task list tells the Waveform Processor what is to be done. The Processor then switches to the routine in ROM to get the instructions that do that job. Part of that routine might be to get the arguments for the task. When the arguments are in place, the Waveform Processor then finishes the task routine. When done with the first task, the Waveform Processor looks at the task list for the next task. It keeps doing the commands and arguments for each task until the entire task list is done. The last task of every task list is the WPDN task (Waveform Processor Done). Upon receiving that task, the Waveform Processor sets the WPDN bit to the System Processor Interrupt circuit HI, informing the System Processor that it is finished. It then enters a "loop forever" state to wait for its next set of instructions. When the System Processor checks the interrupt register and finds WPDN HI, it resets the Waveform Processor and writes a new list of tasks to the Waveform Processor Command RAM.

**WAVEFORM PROCESSOR OPERATION.** When the Waveform Processor gains control of the waveform bus, it sequentially moves the 1024 data points for each channel (512 min/max pairs in envelope) from the Acquisition Memory (fig. FO-16) to the Save Memory (U350). When the Waveform Processor does a display update, it selects the required data points needed for each waveform display requested (according to the mode selected) from Save Memory and moves them to the Display Memory (fig. FO-24). At the end of the display update, DISDN (display done) from the Display Control (fig. FO-25) goes HI to interrupt the Waveform Processor (and the System Processor if the Waveform Processor is also done and permits the signal to be gated to the System Processor via AND-gate U580B, fig. FO-5). This tells the Waveform Processor that the current display cycle has completed and the next update to Display Memory maybe started.

When in ENVELOPE acquisition mode with more than one acquisition accumulation to be displayed, the data bytes stored in Save Memory are not automatically overwritten with each acquisition. As the data bytes are being transferred from Acquisition Memory to Save Memory, they are compared by the Waveform Processor. If the new data byte does not exceed the current maximum or minimum value in the Save Memory location that it is being compared with, that Save Memory location is not overwritten (until the envelope acquisition is reset to start a new accumulation).

In AVG acquisition mode, data from the Acquisition Memory is averaged with the waveform data in the Save Memory, and the Save Memory is then rewritten with the averaged waveform data. Waveform adds, multiplies, expansions, and interpolations are performed by the Waveform Processor on the Save Memory data prior to transfer to the Display Memory for display.

**WAVEFORM PROCESSOR ADDRESS ENABLING.**

The 2.5 MHz System Clock signal CLK1 from Clock Divider U710 (fig. FO-15) is inverted by U866E and ORed with the skewed 2.5 MHz CLK3 signal by OR-gate U264B. The timing of this ORed signal is such that the output of U264B goes HI when the address on the input pins of Waveform Address Registers U562 and U364 is guaranteed to be valid. Inverter U270B inverts the output from the OR-gate (WVMA – waveform valid-memory address), and when that output again goes LO, the rising edge of the inverted WVMA signal on the clock input of the Waveform Address Registers latches the 16-bit address from the Waveform Processor into the registers.

**ADDRESS LATCH.** U366, a dual 4-to-1 multiplexer, and Address Latches U364 and U562 couple a modified version of the 16-bit address output by the Waveform Processor (DADO-DADF) to the Waveform Processor Address Bus (WAO-WAF). Addresses latched to the Waveform Processor Address Bus remain on that bus for the entire Waveform Processor cycle.

Due to its architecture, the Waveform Processor outputs different address blocks than those required to access the various memories on the Waveform Processor Data Bus (see fig. 3-2). U366 selects either address bit DADC or DADB for output to address WAB of the Waveform Processor Data Bus, depending on the condition of its three most-significant address bits, DADC, DADE, and DADF. AND-gate U276B detects when these bits are all HI and outputs a HI to the “A” select input of the multiplexer. With the “B” select input held HI for all Waveform Processor accesses by BUSCONNECT, U366 routes DADB to address bit WB via address latch U562.

If any of the three most-significant Waveform Processor address bits are low, DADC is coupled to address bit WB. This action translates the addresses output by the Waveform Processor to those required on the Waveform Processor Bus.

If BUSCONNECT is LO, the access is a System Processor access and BUSGRANT is HI, BUSGRANT disables the Address Latches and the decoding action of U366 does not affect the address on the Waveform Processor Bus. BUSGRANT is inverted via U254B enabling the Bus Connect Address Buffers to connect the System Address Bus to the Waveform Processor Bus.

Test point TP562 on address line WAA provides a trigger source for an external test oscilloscope when examining address waveforms in the Waveform Processor KERNEL mode. As the KERNEL mode exercises address lines WA0-WAA, WAA is used as the trigger point.

**WAVEFORM PROCESSOR READ/WRITE ENABLING.** Once latched, the address is removed from the bus and, depending on whether Processor U470 is supposed to be reading or writing, data will be read into

the processor from data bus buffers U360 and U560 or written to the WD (waveform data) bus via U360, a bidirectional data bus buffer. To read data into the processor, the HI R/W (read-write) signal is applied to NAND-gate U870C where it is Nanded with CLK1. During the half period that CLK1 is HI (CLK1 is LO), the gated output from U870C is the WRD (waveform processor read) in its LO (asserted) state. The LO is applied to the direction-enabling input of bidirectional buffer U360 via U542B. This LO enables U360 for a read from the WD (waveform data) bus, and the addressed 8-bit word on the WD bus is applied to the center eight lines of the processor 16-bit address/data bus.

The four least significant bits (LSB) and the four most significant bits (MSB) of the data applied to the WD bus come from buffer U560, which is enabled via U250B and U250A for processor reads. The four LSBS are always LO (guard bits), while the four MSBS will be set to the same level as the WD7 bit (sign-extended) of the center eight bits. This placement of the 8-bit data in the center of the 16-bit bus provides a reasonable tradeoff between dynamic range (12 bits) and guard bits (4 bits).

To write data out of the Waveform Processor to the WD bus, the WRD level applied to the direction-enabling pin of U360 will be HI. The center eight bits of the Waveform Processor data bus will then be buffered onto the WD (waveform data) bus by U360 and written to the currently addressed location. During writes to the WD bus, the HI level of WRD disables buffer U560, via U250B and U250A, to isolate it from the Waveform Processor address/data bus.

**SYSTEM PROCESSOR ACCESS.** When the System Processor needs to do an access in the Waveform Processor address space, it checks its software copy of PCREG to see if the Waveform Processor is reset. If it is not reset, the System Processor asserts BUSREQ (bus request) to the Waveform Processor and waits until the Waveform Processor outputs a BUSACK (bus acknowledge) to OR-gate U332D. The output of U332D is the BUSGRANT signal that, when HI, disables the Waveform Processor data buffers, address registers, and memory control lines.

When Waveform Processor U470 is being held reset (inactive) and cannot possibly respond to a BUSREQ, the System Processor instead asserts BUSTAKE to OR-gate U332D when it needs to take control of the Waveform Processor address space. The System Processor can also assert BUSTAKE during diagnostics in the event of a Waveform Processor failure to release the bus after a BUSREQ is given.

With BUSGRANT asserted HI, the inverted BUSGRANT, BUSGRANT, is output by inverter U254B and enables Bus Connect Address Buffers U262, U260, and U=564. The enabled buffers connect the System Processor address bus and control signal lines to their counterparts from the Waveform Processor. The Bus Connect Data

Buffer U552, a bidirectional device, is then enabled and directed by control signals from the System Processor for data transfers to and from the Waveform Processor data bus.

Decoding circuitry uses the signals WPRAM,  $\overline{\text{MAIN}}$ ,  $\overline{\text{MAIN2}}$ , and HMMIO; System-Address bits A3, A4, and AF; and BUSTAKE/BUSGRANT to determine when to enable U552 and connect the System Data Bus to the Waveform Data Bus. The addresses that produce accesses to the Waveform RAM (and require U552 to be enabled) are shown on the memory map, Figure 3-2. (Also, see “System Address Decode,” appearing earlier in this section.)

The Bus Connect Data Buffer is enabled when the output of the dual-input AND-gate U432D steps HI and the output of U254D steps LO. With BUSGRANT asserted HI, the output state of U850A depends on the state of its other input which is controlled by the output of OR-gate U850A. Any HI on U850A’s inputs drives its output LO. This LO output holds the output of U432D LO and U552 disabled HI via U254D.

One input to U850A is  $\overline{\text{BUSGRANT}}$ . Since BUSGRANT is HI,  $\overline{\text{BUSGRANT}}$  is LO a few nanoseconds after BUSGRANT enables. While HI,  $\overline{\text{BUSGRANT}}$  holds U850A’s output LO, preventing transients from enabling the Bus Connect Data Buffer. After the few nanoseconds  $\overline{\text{BUSGRANT}}$  has no effect on decoder operation.

If the address-bit AF is HI at the input to NOR-gate U850A, the address on the System Address Bus is between 8000h-FFFFh. These addresses map only to System ROM; therefore, the access cannot be a Waveform Processor access. The HI AF-bit at the input to U850A holds its output LO and, via inverter U254D, the Bus Connect Data Buffer is disabled.

If either  $\overline{\text{MAIN}}$   $\overline{\text{MAIN2}}$  is LO, the System Processor is accessing the 4000h-4FFFh or 7000h-7FFFh address space, and WPRAM determines if the access is to the Waveform RAM space. If WPRAM is disabled LO at the inputs to OR gates U840A and U840B, one of the outputs of those gates will be LO, depending on which signal, MAIN or MAIN2, is also LO. The LO output will be inverted HI by either U254C or U254F, and the output of NOR-gate U850A will be LO. Again via inverter U254D, the Bus Connect Data Buffer is disabled.

If WPRAM is enabled HI, the outputs of both U840A and U840B are HI and are inverted LO by U254F and U254C, respectively. Since this is not a System ROM (AF-bit) or a HMMIO access, the rest of the inputs of U850A will be LO and the output of U850A will go HI. The Bus Connect Data Buffer will be enabled by the LO at the output of inverter U254A.

if HMMIO is HI at the input to U874B, the access is for the 6000h-6FFFh address space. Whether or not the access connects the System Processor to the Waveform Data Bus depends on System Address Bits A3 and A4.

For 6000h-6FFFh addresses in the eight upper ranges (6018h-601Fh, 6038h-603Fh, etc.), both bits are HI; for the eight lower address ranges (6000h-6017h, 6020h-6037h, etc.), at least one of the bits will be LO. With one or both of the A3 and A4 bits LO at NAND-gate U874D, its output must be HI. This HI is coupled to one input of NAND-gate U874B (the other input of U874B is held HI by HMMIO) and its output is forced LO. This output is connected to the input of U874A, an inverter-configured NAND-gate, and holds the output of the device and the input to NOR-gate U850A HI. The Bus Connect Data Buffer is held disabled as previously described.

If both A3 and A4 are HI, NAND-gate U874D’s output goes LO. This LO drives the output of NAND-gate U874B HI and the output of U874A LO. With the other inputs to U850A LO, its output goes HI and enables the Bus Connect Buffer via U254D.

To summarize, the conditions that must be present for the decoding circuitry to produce an enable to the Bus Connect Data Buffer are:

- a.  $\overline{\text{BUSGRANT}}$  LO – Waveform Processor has relinquished the busses;
- b.  $\overline{\text{MAIN}}$  and  $\overline{\text{MAIN2}}$  HI—This is not a “System RAM” Main Memory access;
- c. Address bit AF is LO—This is not a “System ROM” access, and either:
  1. HMMIO is LO—The address is not a System Processor memory-mapped I/O location, or
  2. It is a memory-mapped I/O location and address bits A3 and A4 are HI (the address is within the top eight I/O address ranges of the System Processor).

Addresses residing in the System Processor memory space should not access the Waveform Processor memory space, and are thus excluded from access by U850A and the associated input logic gates. Addresses not excluded will cause a System Processor access into the Waveform Processor memory space.

### Waveform Processor ROM

The Waveform Processor ROM consists of two 8 K by 8-bit ROM devices connected in parallel to form an 8 K by 16-bit storage memory for Waveform Processor waveform data handling commands. The Waveform Processor “double-fetches” data from this ROM space by reading in two 16-bit bytes of command data during each Waveform Processor clock cycle. This method of reading

the commands makes the Waveform Processor command memory space look like a 4 K by 32-bit ROM. The 32-bit instruction word formed by the two fetches adequately defines any Waveform Processor operation and allows the Waveform Processor to execute one instruction for each 2.5 MHz clock cycle.

The chip-select pins of Waveform Processor ROMs, U480 and U490, are both connected to a + 5 V supply through R376. During normal operation, Waveform KERNEL jumper (P128) is installed, and the chip selects of both ROMs are shorted to ground and are constantly enabled.

The addresses of instructions to be read are determined by the 12 instruction-address bits output from the Waveform Processor and by the state of the 5 MHz clock. The 12 address bits from U470 are the most significant address bits for any given instruction. The 5 MHz clock applied to ROM address inputs A0 through delay line DL580 and associated components delays the least significant address bit enough to provide the needed data-hold time. The state of the 5 MHz clock will be LO to access the first 16 bits of an instruction word. The state of the A0 address line then goes HI, and the second half of the 32-bit instruction is obtained from the next higher memory location. This address selection scheme is the "double-fetch" of instruction data mentioned previously in the Waveform Processor description.

Removing jumper P128 disables the Waveform ROMs and places their outputs into the high-impedance state. The pull-up and pull-down resistors within resistor packs R474 and R590 place a "NOP" (no-operation) instruction byte on the instruction bus. A NOP Processor command causes the Waveform Processor to increment through the first 12 bits of its address range on the 16-bit DAD bus and

through all the addresses of its IA bus. This KERNEL mode allows the Waveform Processor address bus and address decoding to be exercised for troubleshooting and diagnostic purposes

### Waveform Processor Address Decoding

The Waveform Processor Address Decoding circuit monitors the Waveform Processor address bus to develop the appropriate enabling signals to the memory or I/O device that is to be accessed.

Block decoding is done by 1 of 8 decoder U570, which uses address lines WAC-WAF to separate the addresses below 32K into eight 4K blocks. Decoder U570 is enabled when a valid address (WVMA HI) below 32K (address bit WAF LO) is placed on the memory address bus by either the Waveform Processor or the System Processor. The next three lower address lines (WAE, WAD, and WAC) determine which one of the eight outputs of the Decoder will be selected. Table 3-4 illustrates this address decoding.

**ADDRESSES 0000h-1FFFh.** Accesses in this 8K block are mapped to U350, the Save RAM (Waveform Processor RAM). U570, a 1-of-8 decoder, outputs a LO at either Y0 or Y1 for all addresses within this block and HIs on Y2-Y7. A LO at either Y0 or Y1 causes AND-gate U580C (functioning as a negative-logic OR gate) to output a LO SAVE enable. This LO is inverted twice via Q244 and Q332 and holds the chip-select input of Save RAM U350 enabled LO. Since this address block is the only block that accesses the SAVE memory, when other address blocks are decoded by U570 (in the descriptions to follow), Y0 and Y1 are HI and U350 disabled via Q244 and Q332.

**Table 3-4**  
**Waveform Processor Address Decoding**

ADDRESS BITS			OUTPUT SIGNAL (Active LO)
WAE	WAD	WAC	
LO	LO	LO	(Y0 or Y1) SAVE from NAND-gate
LO	LO	HI	U580C to enable the SAVE memory.
LO	HI	LO	(Y2) DISP- Selects display memory.
LO	HI	HI	(Y3) DATT - Selects attribute memory,
HI	LO	LO	(Y4) ACQ- Selects acquisition memory.
HI	LO	HI	(Y5) WPCMDN/COEFF- Selects either the command or the coefficient memory.
HI	HI	LO	(Y6) WMMIO - Enables Waveform Processor memory-mapped I/O Decoder U540.
HI	HI	HI	(Y7) WPRAM2- Decoded to enable waveform processor RAM U440.

**NOTE**

*The chip-select circuit between the  $\overline{\text{SAVE}}$  output of U580C and RAM U350 is identical to that for the System Processor RAM (U664, fig. FO-5). The circuit determines chip selection during normal operation and isolates the Save RAM chip-select input when power is off.*

Writing to or reading from any of the Waveform Processor RAM space is done via bidirectional Bus Buffer U352. When Save RAM U350 is selected by the  $\overline{\text{SAVE}}$  line going LO, U352 is also enabled via AND-gate U580D. The state of the  $\overline{\text{WWR}}$  (waveform write) control line determines the direction of the data transfer.

**ADDRESSES 2000h-4FFFh and 6000h-6FFFh.** Addresses in these ranges select either  $\overline{\text{Y2}}$  ( $\overline{\text{DISP}}$ ), ( $\overline{\text{DATT}}$ ),  $\overline{\text{Y4}}$  ( $\overline{\text{ACQ}}$ ), or  $\overline{\text{Y6}}$  ( $\overline{\text{WHMMIO}}$ ).  $\overline{\text{DISP}}$ ,  $\overline{\text{DATT}}$ , and  $\overline{\text{ACQ}}$  are used to select the Display and Display Attribute Memories (fig. FO-24) and the Acquisition Memory (fig. FO-16) respectively.  $\overline{\text{WMMIO}}$  (Waveform Memory-Mapped I/O) is used to select the Register Decoding Circuitry.

With the output of U580C HI for all accesses in this group,  $\overline{\text{Y0}}$  and  $\overline{\text{Y1}}$  hold Save RAM U350 disabled (see "ADDRESSES 0000h-1FFFh" discussion). The HI  $\overline{\text{SAVE}}$  also holds the input to U580D HI; the other input to U580D is held HI by the output of U432A. The output of U432A is HI because one of its inputs is held HI by  $\overline{\text{Y5}}$  and the other held HI by  $\overline{\text{Y7}}$  (via OR-gate U132C). The HIs at both inputs to U580D hold the Waveform Data Buffer disabled for all accesses in this group.

When  $\overline{\text{WMMIO}}$  (6000h-6FFFh) is decoded LO, decoder U540 is enabled. U540 operates similarly to U570 and uses address lines WA0-WA4 to produce its various I/O enabling outputs. Address bits WA3 and WA4 are used as chip selects and cause the output of U540 to fall into the eight locations immediately above those of Decoder U884 (fig. FO-5) for System Processor memory-mapped I/O.

The outputs of U540 allow the accessing processor to read the display status ( $\overline{\text{SSREG}}$ ), to read the two-byte address of the last-acquired point ( $\overline{\text{RDMAR0}}$  and  $\overline{\text{RDMAR1}}$ ), or to latch the present interrupt status ( $\overline{\text{COMREG}}$ ). (See the "Display Status Register" and "Interrupt Latch" descriptions for further explanation.)

**ADDRESSES 5000h-5FFFh.** This 4 K block of addresses is decoded as an access to the Waveform Processor Coefficient-Temp Memory in RAM U440. With a 5XXXh address, U570 decodes WPCMDN COEPF LO and sets its other 7 outputs HI. The LO at the input to AND-gate U432A holds its output LO, and this LO holds U440 enabled for access. (The HI  $\overline{\text{SAVE}}$  disables U350 as previously described).

The LO at the output of U432A is also coupled to the input of U580D. With a LO at the input to this AND-gate, its output is LO and U352, the Waveform Data Buffer, is enabled to connect the Waveform Data Bus to the Waveform Processor RAM.

**ADDRESSES 7000h-7FFFh.** Addresses in this range select WPRAM. Assuming BUSGRANT and WPRAM are both LO at the inputs to XOR-gate U130A, both inputs to OR-gate U132D are LO and its output is also LO. This LO forces the output of U432A LO and enables RAM U440. The same LO also enables the Waveform Data Buffer via U580D to connect the Waveform Data Bus to the Waveform Processor RAM.

The System Processor can also access this address bus by asserting BUSGRANT and WPRAM HI. The two HI inputs to XOR-gate U130A produce a LO at its output. The Waveform Data Buffer and the Waveform RAM are enabled as was just described for the Waveform Processor access for this address group. BUSGRANT disables the Address Latches for the Waveform Processor and is inverted to enable the Bus Connect Circuitry to connect the System Address Bus to the Waveform Address Bus. The Bus Connect Data Buffer is enabled to connect the System Data Bus to the Waveform Data Bus.

**Waveform Processor RAM**

The Waveform Processor RAM is used for storage and manipulation of waveform-display data. The RAM space is divided up into four memories consisting of the 8 K by 8-bit "Save Memory" RAM space, the 2 K by 8-bit "Command-temp" RAM space, the 2 K by 8-bit "Coefficient" RAM space, and the "Interpolation" RAM space.

The 8 K by 8-bit Save Memory, U350, is where the Waveform Processor places acquired waveform data that should be retained with power off. Waveforms stored in the Save RAM are retained for up to three years at room temperature with the power off. The waveforms stored in Save Memory U350 are maintained when the power is off.

The 8 K by 8-bit RAM, U350, is where the Command-Temp, Coefficient, and Interpolation RAM spaces reside. The Waveform Processor uses the Command-Temp RAM space for storage of commands to the Waveform Processor from the System Processor and for temporary scratch-pad storage of display calculations in process. The Coefficient RAM space is used only for further scratch-pad storage. Interpolation RAM is used for storing interpolation calculation used for the MEASURE feature of this scope.

Reading from and writing to the Waveform Processor RAM selected by the Address Decode circuit are controlled by the WRD (waveform read) and WWR (waveform write) signals respectively.

As was true for the chip-select circuitry for System ROM, undefined operations on the address bus can

cause the chip-select circuit to enable U350 as the power supplies are brought up at power-on. To prevent this, the  $\overline{\text{RESET}}$  signal from the Power-Up Reset stage is applied to the base circuit of Q332 through diode CR244. This LO keeps the transistor biased off and U350 disabled until the power-up  $\overline{\text{RESET}}$  signal returns HI; at which time the data on the address bus is stable.

### Waveform Data Buffer

The Waveform Data Buffer U352 allows data transfers to and from the Waveform Processor RAM to take place. The buffer is enabled by U580D when any of the Waveform Processor RAM locations are addressed. Buffer direction is determined by the  $\overline{\text{WWR}}$  level.

### Display Status Buffer

Display Status Buffer U542A allows the controlling processor (System Processor or Waveform Processor) to read the status of the Display System operations. The address-decoded  $\overline{\text{SSREG}}$  (sub-system status register) line from Decoder U540 enables buffer U542A to place the DISDN (display done) and ACQDN (acquisition done) signals on the WD bus where they may be read. These status bits are used by the reading Processor to determine when to execute the next phase of a display or acquisition sequence.

### Interrupt Latch

The Interrupt Latch (U550) allows the Waveform Processor operations to interrupt the System Processor for servicing and, when servicing is completed, allows the System Processor to reset the interrupt.

To write data into the latch, the controlling Processor address location 6019h, causing the  $\overline{\text{COMREG}}$  line from U540 to enable U550. Data from the WD bus is written into the latch on the rising edge of the  $\overline{\text{WWR}}$  pulse. The Q output from pin 2 (MDISDN) of the latch is applied to AND-gate U580B (fig. FO-5) where it either masks the DISDN (display done) interrupt from the System Processor when it occurs or lets the interrupt pass. Masking the DISDN interrupt from the System Processor permits the Waveform Processor to have first access to the Display System for display updates before the System Processor sees that the Display System is finished with its last task. The next bit is unused. The Q output bit on pin 10 is the WPDN (waveform processor done) interrupt and provides the Waveform Processor with a way of telling the System Processor that it is done with its assigned task and is ready to accept another. The output bit on pin 10 is applied to Display Status Buffer U542A and is used for write-readback verification of U550 and U542A during the self-check and other diagnostic routines.

## FRONT PANEL PROCESSOR

The Front Panel Processor (fig. FO-8) monitors the settings of the pots and switches of the Front Panel (fig. FO-10) and the Auxiliary Front Panel (fig. FO-13). The Front Panel Processor allows quick system response to changes in front-panel settings without excessive use of time by the System Processor. The Front Panel Processor system consists of a microprocessor integrated circuit with a built-in RAM, ROM, and A/D converter (for digitizing the potentiometer wiper voltages); the handshake logic between the System Processor and the Front Panel Processor (to synchronize data transfer between processors); and the data bus interface to provide the actual data transfers between busses.

### Front Panel Processor

Front Panel Processor U700 does the reading of the front-panel pots and switches. It continuously scans the front-panel control settings and compares them against the values stored in its internal RAM. When a change is detected, the Front Panel Processor issues an interrupt to the System Processor. The System Processor then handles the interrupt and reads the changed data from the Front Panel Processor to update its control-setting values. The Front Panel Processor also updates the current value list stored in its RAM for further use.

Front Panel Processor U700 is externally clocked by the 4 MHz system clock applied to the external clock input (EXTAL). Initially, the LO state of  $\overline{\text{FPRESET}}$  on the  $\text{INT}_2$  input (pin 18) will clear all the internal registers of the Front Panel Processor. When  $\overline{\text{FPRESET}}$  goes HI, the Processor executes the power-up self-test instructions stored in ROM space within the Processor integrated circuit. When the self test has completed, the Front Panel Processor sends the diagnostic result byte to the System Processor and branches to its main program. The main program routine sets up the data direction for the various port lines, sets the AN0-AN3 (analog inputs 0-3) to their analog input mode, and receives the eight front-panel configuration bytes from the System Processor that define the manner in which the various front-panel switches and pots operate. It then begins scanning the front-panel pots and switches for their initial settings. After the initial values are determined and stored, the Front Panel Processor sends those coded values back to the System Processor in an 11-byte message (10 data bytes plus an end-of-message byte) to update the front-panel information held by the System Processor. It then begins scanning the front-panel controls for changes from the currently stored front-panel values.

To read front-panel pot settings, the internal A/D converter of the Front Panel Processor performs an 8-bit, successive-approximation conversion of the analog levels applied to the AN0 and AN2 inputs by a selected potentiometer. These analog input signals come from

8-input analog multiplexer U902 on the Front Panel (fig. FO-10) and U600 on the Auxiliary Front Panel (fig. FO-13). A specific pot to be read is selected by the multiplexer under control of the MUXSEL0, MUXSEL1, MUXSEL2, and MUXINH (multiplexer inhibit) output lines from the Front Panel Processor. These select signals, in combination with the selected A/D (AN0 or AN2) input, define the pot being read.

To read the front-panel switches, the Front Panel Processor first sets one of the front-panel switch-matrix rows LO, using the MUXSEL0-MUXSEL2 outputs. It then sets its S/L (shift/load) output on pin 29 LO. The LO does a parallel load of the switch-closure data into shift registers U904 (fig. FO-10) and U700 (fig. FO-13). The shift/load line is then set HI (shift mode), and eight shift clocks (SHCLK) are generated to move the switch-closure data serially onto the SW OUT (front-panel switch data out) or the SW OUT A (auxiliary front-panel switch data out) lines, where it is read by the Front Panel Processor. This cycle is then repeated for the seven remaining rows of the matrix to read all the switches.

When the Front Panel Processor detects a change in either a switch or a pot setting from its currently stored values, it places a code identifying which control setting changed on its PA0-PA7 outputs, and it then sets the WRTOHOST (write to host) signal HI to clock Handshake Logic flip-flop U861B. The resulting HI on the Q output of the flip-flop is the front-panel interrupt (FPINT) to the System Processor, telling it that the front-panel settings have been changed.

The System Processor handles the interrupt by reading the byte from the Front Panel Processor; and then, via the Handshake Logic, it resets flip-flop U861B to remove the interrupt and set HOSTDNRD (host done reading) HI. This signals the Front Panel Processor that the System Processor has read the code identifying the changed control. The Front Panel Processor then places the new control-setting value on its output bus and reasserts the front-panel interrupt using the WRTOHOST line to again clock flip-flop U861B.

The System Processor then reads the changed-data bytes for the identified control(s) (either three bytes or five bytes depending on whether one or two control changes are being sent) and reasserts HOSTDNRD. Changes of up to two controls are remembered by Front Panel Processor U700 so that if the System Processor is busy, the control changes are not lost while the Front Panel Processor is waiting to make the transfers. If more than two controls are changed before the System Processor has time to read the changes, the oldest change is written over and lost.

The  $\overline{\text{WRTOFP}}$  (write to front-panel processor) input to U700 at pin 3 is set LO (via the Handshake Logic) when the

System Processor wants to input data to the Front Panel Processor. The Front Panel Processor then reads one byte of data from the System Processor in a manner similar to that just described for transfers from the Front Panel Processor to the System Processor. This mode allows the System Processor to change the current control configuration list stored in the limited RAM space of the Front Panel Processor. This list defines how the operation of pots and switches is to be interpreted (for example, momentary contact or toggle switches).

Jumper J155, connected to the PC<sub>7</sub> and PD<sub>7</sub> inputs, is used to enable diagnostic test routines that verify functionality of U700. The test routines may also be used to troubleshoot the Front Panel Processor system. These tests are explained in the Diagnostics portion of the "Maintenance" section of this manual.

### Handshake Logic

The Handshake Logic circuit, formed by NOR-gates U862A, B, C, and D and flip-flops U861A and B, controls and synchronizes data transfers between the System Processor and the Front Panel Processor.

Data transfers between the two processors are initiated by interrupts that signal the destination processor that service is requested. When the Front Panel Processor has changed-value data to give to the System Processor, it will place the data bytes to be given to the System Processor on its PA<sub>0</sub>-PA<sub>7</sub> (port A— bits 0 through 7) outputs. It then asserts WRTOHOST (write to host) HI, clocking the FPINT (front-panel interrupt) at the Q output of U861B HI.

Depending on what the System Processor is doing, it may either service the interrupt request immediately, or it may wait for time to be available. When it responds to the interrupt, it does a read of the Front Panel "register" address 6209h. The decoded  $\overline{\text{FPREG}}$  signal from Side Board Address Decoder U781 (fig. FO-21) allows OR-gates U862B and U862C to pass the WR or RD signals. For a read, both input pins to U862B are LO, causing the output of U862A to go LO. This enables buffer U751, placing the data from the Front Panel Processor on the System Processor data bus (FPO-FP7) and, at the same time, resets flip-flop U861B. Resetting U861B removes the front-panel interrupt and sets HOSTDNRD (host done reading) to U700 HI.

When the System Processor needs to write to the Front Panel Processor, it writes data to address 6209h. This latches data from the System Processor data bus into register U742. The enable to U742 is via U862C. The latch enable also resets the Q output of flip-flop U861A LO via U862D to produce the  $\overline{\text{WRTOFP}}$  (write to front-panel) interrupt to U700. Latching data into U742 immediately frees the System Processor to resume other tasks, since it doesn't have to wait for the Front Panel Processor to service the interrupt.

When U700 services the interrupt by the System Processor, it sets  $\overline{\text{FPRD}}$  (front-panel reading) LO and enables the latched data in register U742 onto the Front Panel data bus. It then reads the data into its internal registers and asserts  $\overline{\text{FPDNRD}}$  (front-panel done reading).  $\overline{\text{FPDNRD}}$  going HI clocks the  $\overline{\text{FPDNRD}}$  status bit from flip-flop U861A pin 6 HI to signal the System Processor that it is done reading the byte and removes the  $\overline{\text{WRTOPF}}$  interrupt present on U861A pin 5. Each data byte transfer from the System Processor to the Front Panel Processor and vice versa is done using the two hand-shake routines just described.

### Trigger Status Indicators

The Front Panel Trigger Status Indicators provide visual information regarding trigger slope and trigger status to the user. Data written to LED Register U741 from the System Processor turns on the LED that reflects the current trigger status. A LO output from U741 turns on the associated LED. The LED Register is enabled by a System Processor write to address 6208h. Side Board Address Decoder U781 (fig. FO-21) produces the decoded  $\overline{\text{LED-REG}}$  signal that enables data at the input pins to be latched when the WR clock goes HI.

## FRONT PANEL

The Front Panel is the operator's interface for controlling the user-selectable oscilloscope functions.

All of the Front Panel controls (fig. FO-10) are "soft" controls in that they are not connected directly into the signal path. Therefore, associated circuits are not influenced by the physical parameters (such as capacitance, resistance, and inductance) of the controls. In addition, converting the analog output levels of the potentiometers to digital equivalent values allows the System Processor and the Front Panel Processor to handle the data in ways that enhance control operation.

The variables defining the current settings of the control pots and the front-panel switches are stored and continually updated in Nonvolatile RAM U664 (fig. FO-5) by the System Processor. The data remains stored when the oscilloscope is turned off so that when the scope is turned on again the System Processor returns to the same front-panel setup that was present when the scope was turned off.

### Front-Panel Switch Scanner

The Front Panel switches are arranged in an electrical array of eight rows and six columns. Switches are placed at row-column intersections, and when a switch is closed, one of the row lines is connected to one of the column lines through an isolation diode. Checking for switch conditions (open or closed) is done by setting a single

row line LO and then sequentially checking the six columns to determine if a LO is present on any of the column lines. After each column line in a row is checked, the current row line is reset HI and the next row line is set LO to check the next six columns. A complete check of the front-panel switches consists of setting all eight row lines LO in order and performing a six-column scan for each column to check for a LO.

A row is selected for checking by the Front Panel Processor (U700, fig. FO-8) when it switches the MUXSEL lines (0-2) applied to multiplexer U903 to set a row line LO. To check the columns, the processor pulses its S/L (shift/load) select line to shift register U904 first LO and then HI. This causes a parallel load of the six column-line bits (plus the seventh and eighth bits tied HI by R934) into the shift register. The processor then generates eight shift clocks (SHCLK) to U904, serially shifting the switch data out on the SWOUT (switch data out) line. The serial data bits are applied to the PBO input (pin 25) of the Front Panel Processor to be checked. Any LO bits in the column-line data tell the Processor that a switch is closed. Since the Front Panel Processor knows which row line it set LO, it can determine from the position of the LO bits in the serial data string which of the switches are closed.

In addition to the front-panel push-button and continuous-rotation switches connected in the switch array, there is a rate switch associated with the Horizontal Position, the CH 1 Vertical Position, the CH 2 Vertical Position, and the Cursor Position potentiometers. These switches are normally closed in the center positioning range of the associated pot. When the pot is rotated in either direction out of this range, the rate switch opens. The open switch signals the Front Panel Processor that the associated control function has changed from normal (absolute) positioning to a faster, rate-change positioning mode. Rotating the pot still further into the rate region causes the associated on-screen display position to change at a still faster rate. When the pot position is returned to its center range (rate switch closed), further positioning of the associated display occurs from where the rate function positioning left off.

### Front-Panel Pot Scanner

The Pot Scanning circuitry, working together with the A/D converter internal to Front Panel Processor U700, produces digital values for the wiper voltages of the front-panel potentiometers and for the voltages monitored by the auxiliary front-panel circuitry. Analog multiplexer U902 selects which of the eight front-panel pots are read. (Trigger Level control R902 and Holdoff control R901 are continuous-rotation potentiometers made up of two separate resistive elements each.) Analog multiplexer U600 (fig. FO-13) selects the auxiliary front-panel value to be read.

Three MUXSEL control lines to multiplexer U902 and U600 select the pot or value to be read. The analog



voltage level at the wiper of the pot selected by U902 is output at pin 3 (AOUT0) and is applied to the Front Panel Processor at pin 21 (analog input ANO). Analog voltages selected by multiplexer U600 are applied to analog input AN2. The voltage levels at these inputs are digitized, and the amount and direction of changes from the previously stored values are calculated. Changed values are stored in the internal RAM of U700 for comparison during future scans, and the change data is then relayed to the System Processor. That change data is used by the System Processor to update its current control settings and pot values list and to update the front-panel variables in Nonvolatile RAM U664.

## SYSTEM DAC AND ACQUISITION CONTROL REGISTERS

The Acquisition Control Registers and System DAC circuitry (fig. FO-12) is used to set various analog reference voltages throughout the instrument and controls such things as preamplifier gain, vertical position and centering, trigger levels, holdoff time, common-mode rejection, graticule illumination, and CCD offsets.

The System DAC portion of the circuitry consists of a data latch that stores the digital value to be converted, a D/A converter that does the actual conversion, a multiplexer system to route the resulting analog voltage to the proper control circuit, and a sample-and-hold system that stores the analog levels between updates. Much of the multiplexing and sample-and-hold circuitry is shown in fig. FO-13, Auxiliary Front Panel and System DAC.

The other portion of fig. FO-12 is the Acquisition Control Registers circuitry, used by the System Processor to set up the acquisition and triggering modes. The System DAC portion is described first.

### D-to-A Converter

The D-to-A Converter stage, U860, converts the digital value written into registers U850 and U851 by the System Processor into two complementary output currents. (Complementary in this case means that the sum of the two currents equals a predefined value.) The digital data bits to be converted are serially clocked into the shift register from data bus line D7 (via U280). Sixteen data bits are sequentially placed on data bus line D7 and clocked into the shift register on the rising edges of 16 WR pulses (clock is via U280A and U280B). As the bits are being loaded into the registers, the DAC output current does not correspond to any useful value, but the multiplexer used to direct that output to the following stages are not enabled during loading. After all 16 bits have been clocked into the register, the inputs to DAC U860 will beat their proper levels and the DAC outputs will be valid

levels. One of the multiplexer may then be enabled by the System Processor using the DAC MUX enables via register U272.

Only the first 12 bits (DAC0 through DAC11) of the 16 bits loaded into the registers are used for conversion data. The next three higher bits are used as 1-of-8 select bits to the four analog multiplexers that route the DAC output voltage to the proper Sample-and-Hold circuit. And finally, the MSB of shift register U851 is used in a write-readback operation that allows the operation of registers U850 and U851 to be checked by the System Processor during self checks and diagnostics.

The magnitude (range) of the DAC output currents is set by the voltages applied to pins 14 and 15 of U860. Pin 15  $V_{REF}$  is tied to ground through R761. The reference voltage to pin 14 is applied via a voltage divider (R760 and R860) between the + 10  $V_{REF}$  supply and the output of the DAC Gain Sample-and-Hold, U660. The System Processor enables self-calibration of the gain of U860 via this Sample-and-Hold circuit. Gain changes are explained in the discussion of the DAC Gain circuit.

**DAC I-to-E CONVERTER.** This circuit changes the differential output currents from DAC U860 into a single-ended output voltage that is routed to a selected Sample-and-Hold circuit via one of the analog multiplexers.

The output currents from DAC U860 develop a voltage drop across the resistive networks at the inputs to operational amplifier U661C. The equivalent input impedance at both inputs is approximately 200  $\Omega$ ; so, when both currents are equal (middle range of the DAC), the output voltage of operational amplifier U661C will be close to 0V. An offset current is added to the non-inverting input node via R666 to precisely set the midrange value to 0 V. The gain of U661C is set by the ratio of R663 to R664, and the (calibrated) output voltage ranges from -1.36 V to + 1.36 V.

**DAC OFFSET.** The DAC Offset level is self-adjusting and is updated via DAC Offset Sample-and-Hold U650 each time the DAC System cycles through its DAC channels to update its control levels.

At the beginning of each DAC-update cycle, the System Processor writes 0800h to DAC input shift registers U850 and U851; this corresponds to 0 V (center of the DAC range). The DAC output currents representing 0 V are converted by the DAC I-to-E Converter U661 C to a voltage that is applied to U650 via multiplexer U651. Any deviation from the desired 0 V level causes the output of U650 (configured as an inverting integrator) to shift slightly. This applies an offsetting voltage to DAC I-to-E Converter U661C via R666 and R665 to bring its output level back to precisely 0 V.

Capacitor C655 holds the offset level constant between update cycles (every 64 ms) to keep the proper offset for the entire DAC cycle. By updating the offset every 64 milliseconds, offset variations that would otherwise occur overtime and temperature changes are eliminated.

**DAC GAIN.** The DAC Gain is set during each DAC-update cycle immediately after DAC Offset is set and keeps DAC gain constant with time and temperature changes.

To set the DAC Gain, the System Processor loads 0F59h into DAC input registers U850 and U851 and routes the resulting output voltage to DAC Gain Sample-and-Hold U660 via multiplexer U651 pin 2. A digital input of 0F59h to the DAC is supposed to produce an output of + 1.25 V from U661 C. The resulting DAC output is compared to a + 1.25 V reference by operational amplifier U660. Any deviation from the correct + 1.25 V level produces a gain-correction voltage applied to the DAC via R760. Capacitor C662 maintains the correction voltage between DAC update cycles.

### DAC Multiplexer Select

The Multiplexer Select circuit, composed of addressable latch U272 and the associated decoding gates, provides the enabling signal that selects one of the four 1-of-8 multiplexers to route the DAC output voltage to the Sample-and-Hold circuits. Data applied to the D input of U272 from data bus bit D7 (via U280D) is latched to the addressed output pin as determined by the logic levels on the A, B, and C select lines (A0 through A2). The input data is written to the addressed output on the falling edge of the enable signal at pin 14 (via U280A and U280C). The logic state written to the output remains latched when the enable signal returns HI. The states of the unaddressed outputs remain unchanged. To enable the latch, NOR-gate U280A (functioning as a negative-logic NAND-gate) needs the  $\overline{\text{DACSEL}}$  (DAC select) line LO to produce a HI output. That HI is inverted by U280C to enable the Multiplexer Select register to be written into. That same LO  $\overline{\text{DACSEL}}$  is applied to NOR-gate U280D to enable it to pass the data on the D7 line to the D input of U272 and to the DAC input register, formed by U850 and U851.

Multiplexer U651, when enabled by Multiplexer Select Latch U272, routes the analog output voltage from DAC I-to-E Converter U661C to one of eight Sample-and-Hold circuits, depending on the output specified by the logic states on the its select inputs. Selection is determined by three bits clocked into DAC Register U851 as described in the preceding D/A Converter discussion. One of three other multiplexers, shown in fig. FO-13, may be enabled instead of U651 to pass the DAC output to one of the Sample-and-Hold circuits on their outputs (also shown in fig. FO-13).

### DAC MUX 0 Sample-and-Hold

The eight Sample-and-Hold circuits shown on fig. FO-12 (formed by U641A through U641D, U650, U660, U661A, U661B and their associated components) store and buffer the analog voltage levels directed to them by multiplexer U651. Each of the operational-amplifier circuits selectable by U651 (except the DAC Offset and DAC Gain operational amplifiers, U650 and U660 respectively) has a hold capacitor on one input that is charged up to the DAC output voltage level through the selected multiplexer channel. When the multiplexer channel is then deselected, the capacitor holds the voltage at a fixed level so that the associated Sample-and-Hold circuit provides a steady voltage level to the circuit it controls. Voltage gain of the Sample-and-Hold operational amplifiers range from more than 4.5 in the CH 1 and CH 2 Gain-Cal circuits down to 2 in the Jit 1 Gain and Jit 2 Gain amplifiers and down to about 1 for the CH 1 and CH 2-BAL voltage followers. The Jitter Gain circuits (formed by U661A and U661 B) produce a negative 5 V DC offset voltage at their output pins as their gain-setting resistors are referenced to the + 5 V supply. The DAC Offset and DAC Gain Sample-and-Hold circuit operations are described in the previous D/A Converter discussion.

### Acquisition Control Registers

Mode control of the analog acquisition system and trigger circuitry is controlled by the System Processor via shift registers and a decoder. The System Processor, through its address decoding circuitry, enables Decoder U271 to produce a shift register clock at one of its eight outputs. These clock signals are used to move serial data from the ACD (acquisition control data) line, U272 pin 5, into one of the various Acquisition Control Registers, of which three are shown in fig. FO-12. They are Peak Detector Control Register U530, Gate Array Control Register U270, and Trigger Source Control Register U140. Other registers clocked are the Channel 1 and Channel 2 Control Registers (U510 and U220 on fig. FO-17), the internal control registers of the CH 1 and CH 2 Preamplifiers (U420 and U320 on fig. FO-17), and the internal control registers in the A/B Trigger Generator (U150, fig. FO-19).

The ACD line is shared by all the Acquisition Control Registers; the selected clock determines which register will be loaded with the data being written by the System Processor. Decoder U271 is enabled when the  $\overline{\text{ACQSEL}}$  and WR lines are LO and address line A3 is HI. Address lines A0, A1, A2 determine which of the output lines produces the clock signal. A data bit present on the ACD line (previously written to latch U272 in a DAC write cycle) is loaded into the clocked register on the rising edge of the WR signal as U271 becomes unenabled and its selected LO output goes HI. Each bit to be loaded must be successively written to U272 then moved into a register by the output clock from 271.

## AUXILIARY SYSTEM DAC-CONT AND FRONT PANEL

The DAC multiplexing and sample-and-hold circuits included in fig. FO-13 operate similarly to those described in the System DAC Acquisition Control Register (fig. FO-12) discussion. The analog voltage output from the DAC I-to-E Converter is routed through one of the three additional multiplexer (shown in fig. FO-13) to several types of hold circuits.

### DAC Multiplexers

DAC Multiplexer U821, U830, and U831 route the analog output voltage from DAC I-to-E Converter U661C (fig. FO-12) to the various Sample-and-Hold circuits. Operation of each multiplexer is identical to that of Multiplexer U651, previously described in the System DAC Acquisition Control Register circuit discussion. Each multiplexer is individually enabled by a bit from Multiplexer Select Latch U272, and signal routing through the enabled device is controlled by the three select bits applied to it from the three most significant bit outputs of DAC Register U851.

### Sample-and-Hold

A separate Sample-and-Hold circuit is associated with each of the multiplexer outputs. An analog voltage routed from the DAC I-to-E Converter through the selected multiplexer channel charges up the hold capacitor at the input of an operational amplifier in the selected Sample-and-Hold circuit. When that multiplexer channel is deselected, the voltage level is held on the capacitor because of the high-impedance discharge paths presented by the multiplexer output and the operational amplifier input. The individual operational amplifiers are configured as buffers with voltage gains varying from -0.47 to + 10, depending on the requirements of the function that is being controlled. The CH 1 and CH 2 Position Sample-and-Hold circuits also provide a DC offset of their output levels to properly bias the inputs they drive.

**Graticule Illumination.** The Graticule illumination circuit, composed of U820A, U520G, and associated components, sets the brightness of the three lamps used to light up the graticule lines etched on the CRT faceplate.

Operational amplifier U820A is configured as an inverting integrator. inverting buffer U520G may be thought of simply as an open-collector transistor following operational amplifier U820A. The circuit appears this way because of the negative feedback around U820A and voltage divider R824-R825 keeps U520G in its linear operating range. Gain around the loop (11) is set by the ratio of R822 to R823 plus 1. The DAC control voltage

applied to pin 2 of U820A causes the integrator output to slowly ramp in the opposite direction. This output is inverted by U520G, and it sets the current in the graticule lamps. Between DAC-updates no integration takes place, and the charge held on C822 holds the output of the inverting buffer, and thereby the graticule lighting, constant.

### Cal Amp

The Cal Amp (U610) operates in a manner similar to the Sample-and-Hold circuits just described. It is used to supply test signals to the CAL inputs of the CH 1 and CH 2 Peak Detectors (U440 and U340, fig. FO-18) for Self Calibration of the acquisition system. The test signal level, stored on capacitor C733, is applied to the input of an amplifier internal to U610 which has dual-differential outputs. The complementary-current outputs for each channel are approximately 6 mA x 1.25 mA.

### Z-AXIS Control

The Z-Axis Control stage consists of Q810, U811, U810A, U810B, five-transistor array U812, and associated components. Multiplexer U811 selects one of three intensity-control voltages – normal, intensified, or readout (output from Sample-and-Hold buffers U820B, U820C, or U820D) and routes it to a current source composed of U810A, U810B, and Q810. The amount of current passed by Q810 controls the display intensity. The transistors in array U812 form an automatic gain compensation circuit for Z-Axis Amplifier U227 (fig. FO-28).

Selecting an input to pass through multiplexer U811 is done by two active input signals, BRIGHTZ and RO. (The third select input is a permanent LO, so only one of the first four inputs can be selected.) For normal-intensity waveform displays, all select bits will be LO to select input 0 to switch through U811. if the waveform display should be intensified at any time, the BRIGHTZ input will go HI, selecting input 1. When readout is to be displayed, the RO input will go HI, selecting either input 3 or input 4, depending on the setting of the BRIGHTZ bit. Since inputs 3 and 4 are both connected to the INT-RO (readout intensity) control voltage level, the readout displays are not intensified.

The selected intensity control voltage is applied to U810B, configured as an inverting buffer with a gain of -1. The output voltage is offset -4.06 V by the voltage divider at pins 3 and 5 of U810 (R814 and R815) and resistor R816 at pin 6. The resulting inverted and shifted output is converted to a current by R812 and applied to the emitter of Q810.

The circuitry of operational amplifier U810A and transistor Q810 is arranged so that the transistor is on with its emitter held at -2.7 V. The -2.7 V level at the emitter is set by the bias on input pin 3 of operational amplifier

U810A. The voltage developed at the output of U810B causes a current to flow in R812 and sets the current drive level for the Z-Axis circuit (fig. FO-28). This Z-INT drive current supplied via U812E from pin 14 may vary from 0 mA to 4 mA (-1.36 V to + 1.36 V respectively at the output pin of multiplexer U811).

When the intensity of the selected display is at minimum, the output control voltage from multiplexer U811 will be below -1.36 V. This causes the output of U810B to go to approximately -2.7 V, reducing the emitter current to Q810 to approximately zero. Diode CR810 limits the reverse-bias voltage across the base-emitter junction of Q810 to about 0.6 V and protects the base-emitter junction from excessive voltage.

Automatic compensation of the Z-Axis Amplifier gain is carried out in five-transistor array U812. Transistors U812B and U812C form the bias network for U812D, one-half of the Z-Drive compensation amplifier. Biasing for the other transistor of the differential pair is supplied by U812A, R817, and a resistor internal to the Z-Axis Amplifier that is tied to the + 5  $V_o$  supply. The differential amplifier pair is biased so that the total current is divided between the two sides. The resistance value of the internal resistor in the Z-Axis Amplifier is an indication of the gain of that device. Changes in that value that occur between different Z-Axis Amplifiers shift the biasing level of U812E to either increase or decrease the share of the total current through that transistor by a small amount. The change in current is in the appropriate direction to make the display intensity of different instruments comparable with exactly the same intensity control settings. Capacitor C817 bypasses high-frequency noise present on the ZGAIN signal line.

The SPOTWOB (spot wobble) signal line, at the output of Operational Amplifier U810B, picks off the various intensity levels. Those levels are used in the Horizontal and Vertical Output Amplifiers (fig. FO-26) to dynamically correct intensity-related position shifts on the CRT (described in the Display Output circuitry discussion).

### Auxiliary Front Panel

The Auxiliary Front Panel circuitry provides a means of reading the front-panel bezel push buttons, located directly below the CRT, as well as several analog voltages associated with the front-panel BNC input connectors. The circuit consist of analog multiplexer U600 (used to route the various analog voltages to the A/D converter), parallel-loading shift register U700 (used to relay switch-closure data to the Front Panel Processor, shown in fig. FO-8), and associated components.

Analog multiplexer U600 routes one of the eight input levels to the A/D converter internal to Front Panel Processor U700 (fig. FO-8), depending on the three-bit

code applied to its select inputs. The selected signal may be one of the four probe-coding voltages (developed by the voltage divider formed by the encoding resistance of the probe attached to the input connectors and the associated pull-up resistor within R601), the CH1 OVL (overload) or CH2 OVL levels (used to indicate when an excessive voltage is applied to the input connector), or one of the two, 180 degree out-of-phase wipers on the Intensity control (a continuous-rotation pot).

Auxiliary Switch Register U700 performs a parallel load of the status of all of its input bits whenever the Front Panel Processor puts out a SHCLK (shift clock) with the S/L (shift/load) select input of the register set LO. Once loaded, the S/L input is set HI, and the eight bits of switch-closure data are clocked out to the Front Panel Processor on the SWOUTA (switch data out-auxiliary Front Panel) line with eight more clocks applied to the clock input of the Auxiliary Switch Register. Switches read include the five menu select switches on the lower edge of the CRT bezel, the Intensity Control SELECT switch, the STATUS switch, and the MENU OFF (MENU OFF/EXTENDED FUNCTIONS) switch.

## SYSTEM CLOCKS

The System Clocks circuitry (fig. FO-15) produces the fixed-frequency System clocks signals used throughout the oscilloscope. These clocks are developed from a 40 MHz master clock frequency, and they are used to drive state machines that produce other special-purpose clocks that control the waveform acquisition processes.

### Master Clock Generator

The Master Clock circuit produces 20 MHz and 8 MHz clocks (C20M and C8M) by dividing down the output from the 40 MHz crystal oscillator circuit, Y611. The oscillator circuit drives both the divide-by-two flip-flop (U612A) and the divide-by-five circuit (flip-flops U612B, U615A, and U615B) in parallel via inverter U513A. The 20 MHz clock is obtained from flip-flop U612A. With its Set, Clear, J, and K inputs all held permanently HI, the flip-flop toggles on each negative-going 40 MHz clock edge to divide the input clock frequency by two.

The divide-by-five circuit is a state machine formed by J-K flip-flops U612B, U615A, and U615B. With the two feedback signals to the J and K inputs of U612B, the flip-flop chain sets logic levels on the J and K inputs of U615B that allows its Q output to change states only every five 40 MHz input clocks to produce the 8 MHz clock.

### Secondary Clock Generator

The Secondary Clock Generator circuit further divides the 20 MHz clock to produce other system clock rates. The flip-flops within U710, along with logic gates U711A,

U711B, U711C, and U712B, produce 10 MHz, 5 MHz, and 2.5 MHz clocks.

Flip-flop U710D and exclusive-OR gate U711C generate the 2.5 MHz clock (CLK3A) that is delayed 3/8 of a cycle (150 ns) with respect to the 2.5 MHz clock at the 3Q output (CLK1A). CLK1A, CLK2A, and CLK3A are used for control-clock generation in the Waveform Processor system (fig. FO-6). The 10 MHz clock output at TP133 is provided as a trigger signal when troubleshooting the Waveform Processor system with a logic analyzer or test oscilloscope.

The CLK1A, CLK2A, and CLK3A clocks are buffered by U712A, U712C, and U712D to the Waveform Processor. Buffering these clocks ensures that a fault on the buffered side will not halt operation of the Secondary Clock Generator circuit. Series-damping resistors R713, R715, and R716 reduce ringing in the interconnection cable. The 5 MHz clock is applied to multiplexer U722A, where it is available for selection (along with the 4 MHz clock) as the reference signal to Phase-Locked Loop circuit (U381, fig. FO-19). The 5 MHz clock is also used in the Display Control circuitry, fig. FO-25.

### Minimum-Delay Clock

The Minimum-Delay Clock circuit produces a 1 MHz clock (2XPC) whose transitions nearly coincide with those of the 20 MHz clock. The requirements of the clock timing dictate that the delay between a rising edge of the 20 MHz clock (C20M2 on U720A pin 3) and the 2 MHz  $\overline{\text{TTL4C}}$  (TTL-compatible phase 4 clock, originating from Phase Clock Array U470—fig. FO-19) transitions be less than 50 ns. Since the propagation delay (2 XPC-to- $\overline{\text{TTL4C}}$  delay) through the Phase-Clock Array is a significant portion of the 50 ns allowed, the phase of the 2XPC (two-times CCD “C” register clock rate) clock relative to the 20 MHz clock must be optimized for minimum delay.

To obtain minimum delay, U622, U523B, and their associated logic gating are configured as a divide-by-20 counter whose output is synchronized to the 20 MHz clock (plus propagation delay through U523B), Counter U622 and NAND-gate U620C provide division by ten, producing a 2 MHz clock (4XPC) at pin 11 of U622. This clock is inverted by U513F and is used in the A/D Converter and Acquisition Latches circuit (fig. FO-23). The uninverted 4XPC clock is used as the SR (shift right) data input for shift register U642 to produce two delayed 4XPC clocks (D,4XPC and DZ4XPC).

After one run through the counting cycle at power-on, any unknown counter states in divide-by-ten counter U622 are resolved, and the circuit counts in the following manner: If the circuit does not start in the Load condition, it will be in the Count mode (a HI on pin 9 from the output of NAND-gate U620C) and the 20 MHz clocks cause the

counter output to increment until it reaches 1100 (binary). At this point the output of U620C will go LO, causing the counter to load the count 0011 (binary) from its inputs with the next clock. Once the counter is loaded, the output of U620C will return HI, and normal counting from a known state commences. When the counter reaches 1100 again, the load-count sequence will be repeated, requiring ten 20 MHz clocks to complete the cycle.

AND-gate U623C watches the three lowest bits of the counter outputs ( $Q_a$ ,  $Q_b$ , and  $Q_c$ ). The output of U623C (pin 8) will be HI during the “7” state (0111 binary) of each 10-count cycle and will stay HI for one 20 MHz clock cycle (50 ns). This HI is applied to the K input and the J input (via OR-gate U522B) of flip-flop U523B. With the K and J inputs both HI, the flip-flop toggles when the next 20 MHz clock arrives. Assuming the Q output of the flip-flop was LO, toggling to a HI applies a HI to the J input via OR-gate U522B. When the output of U623C returns LO (next 20 MHz clock), the J and K input states of the flip-flop will keep the Q output HI with subsequent 20 MHz clocks.

The Q output of U523B will stay HI until the next seven (0111) state from AND-gate U623C arrives, at which time the J and K inputs are again set HI. On the rising edge of the next 20 MHz clock the Q output of flip-flop U523B toggles LO. When the 50 ns pulse from U623C returns LO, the J and K input states will both be LO, and further 20 MHz clocks are prevented from changing the Q output state of the flip-flop. The output remains LO until the next HI state from U623C starts the divide sequence over again. Note that transitions of the 1 MHz signal (2XPC) at pin 9 of U523B are delayed from the  $\overline{\text{C20M}}$  (20 MHz clock) clock rising-edge transitions by only the propagation delay through the flip-flop (about 7 ns).

### CCD Output-Sample Clocks

The CCD (charge-couple devices) Output-Sample Clocks stage controls signal transfers from the CH1 and CH2 CCD/Clock Drivers to the external CCD Output circuitry. It consists of a state machine synchronized to the 20 MHz clock (and thus the CCD events) and produces clocks to: (1) move sampled data out of the CH1 CCD/Clock Driver, (2) move sampled data out of the CH2 CCD/Clock Driver, (3) reset both the CH1 and CH2 CCD/Clock Driver output-charge wells in preparation for the next transfer, and (4) phase-lock the CCD-Data Clocks. Fig. 3-3 illustrates the timing of these clocks and other clocks in the System Clocks circuitry; it may be of use in following the discussion of circuit operation.

When acquired samples are to be shifted out of the CH1 and CH2 CCD/Clock Driver, the TTL version of the Phase-Clock 04 output  $\overline{\text{TTL4C}}$  from Phase Clock Array U470 will be toggling at 500 kHz. Transitions of the  $\overline{\text{TTL4C}}$  clock are desynchronized to the 20 MHz clock (C20M2) by flip-flop U720A to correct the phase between the  $\overline{\text{TTL4C}}$  clock and the state machine outputs. This

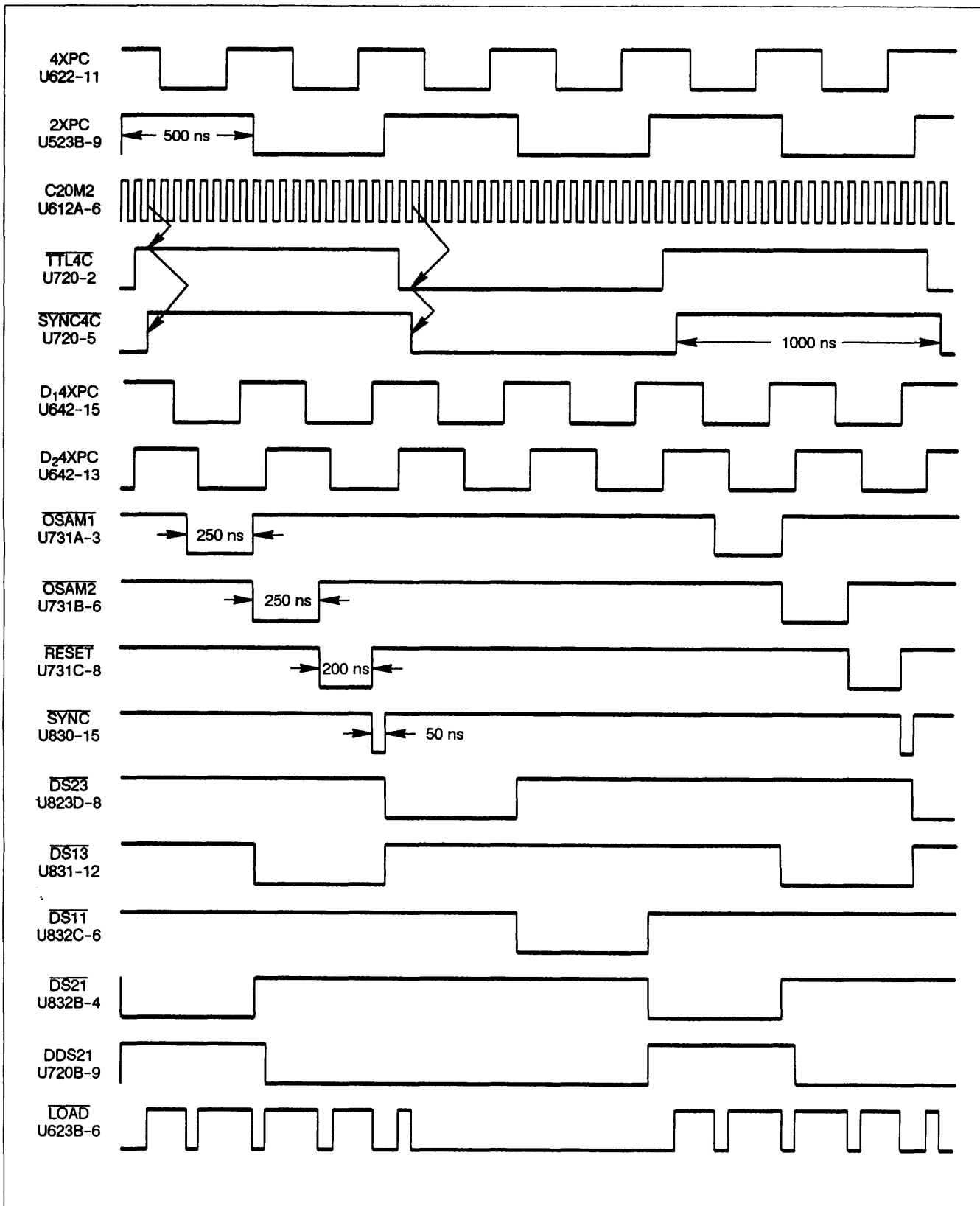


Figure 3-3. System Clock waveforms.

correction closely synchronizes charge transfers within the CCD (relative to the 2XPC clock) with the signal transfers out of the CCD.

When the  $\overline{\text{SYNC4C}}$  (synchronized phase-4 clock) is LO (pin 5 of flip-flop U720A), the LOAD signal applied to shift registers U730 and U830 (via AND-gate U623B and inverter U513E) will be HI. This HI, along with the HI SYNC4C signal from pin 6 of flip-flop U720A, causes both shift registers to do a parallel load of the fixed logic levels applied to their D input pins. The levels loaded set the OS1 (sample CH1-CCD outputs), OS2 (sample CH2-CCD outputs), and the RST (reset CCD output wells) outputs from U730, and the SYNC (sync data clocks) output from U830 all HI. The HI RST level applied back to U621 and the HI output from NAND-gate U620B will be loaded into counter U621 as 0101 binary because of the LO  $\overline{\text{LOAD}}$  output of U623B applied to the CT/LD input Pin. This state then stays as is for the remainder of the LO state of the  $\overline{\text{SYNC4C}}$  signal.

When the  $\overline{\text{SYNC4C}}$  output of flip-flop U720A returns HI, counter U621 is enabled by the HI from AND-gate U623B to count for two, 20 MHz clock cycles (150 ns), reaching the count of 0111 binary. The next clock toggles the  $Q_c$  output of U621 LO (count goes to 1000 binary), and the LOAD output from AND-gate U623B is forced LO. The HI LOAD signal output obtained from inverter U513E, along with the LO SYNC4C from flip-flop U720A pin 6, sets up shift registers U730 and U830 to shift right. The next 20 MHz clock (250 ns after the 2XPC clock toggled) shifts a LO to the OS1 output of U730 (pin 14) and loads a binary 0100 into counter U621 (since the output of NAND-gate U620B is now LO). The fixed HI applied to the SR data input of U730 is shifted to the QA output.

After 0100 is loaded into counter U621, the  $\overline{\text{LOAD}}$  output of U623B returns HI (since pin 12 of U621 has been set HI by the inputs loaded into the counter). This once again produces a LO  $\overline{\text{LOAD}}$  output from inverter U513E and prevents U730 and U830 from shifting. Counter U621 counts three cycles of the 20 MHz clock (200 ns), reaching count 0111. The next 20 MHz clock toggles the  $Q_c$  output of U621 LO and sets the  $\overline{\text{LOAD}}$  line LO once again, enabling shift registers U730 and U830. The next clock (250 ns) shifts the previously loaded LO from the OS1 output right to the OS2 output of U730 and moves a HI from the SR data input into the OS1 output. At the same time, counter U621 is reloaded to 0100 binary to again restart its count.

A similar 250 ns cycle occurs for the  $\overline{\text{OS2}}$  LO state, ending with the LO being shifted to the  $Q_c$  output of U730. However, when the load is done to U621 this time, the OS2 output to NAND-gate U620B is LO, and counter U621 is loaded with 0101 binary (the  $D_a$  input from U620B is HI).

Since U621 now needs one less clock to count to 0111, RST (and thus  $\overline{\text{RESET}}$  remains LO for 200 ns (rather than

250 ns as for  $\overline{\text{OS1}}$  and  $\overline{\text{OS2}}$ ), after which time the next load of U621 will occur. At the end of the reset time, both RST and the DA output of U620B are both LO, so counter U621 loads to 0000 binary. On the same 20 MHz clock, the LO RST level present on the SR data input of U830 is shifted right to the  $Q_a$  SYNC output. This state (with SYNC LO) lasts one clock cycle (50 ns) only, because  $Q_c$  is still LO, causing LOAD to go HI and, therefore, causing the shift register to again shift right, resulting in SYNC going HI. On the next 20 MHz clock pulse, the  $\overline{\text{TTL4C}}$  input is LO, causing SYNC4C to go LO on the clock edge. This starts the whole process over, and it is repeated until all samples have been moved out of the CC D/Clock Drivers.

AND-gates U731A, U731B, and U731C buffer the outputs of counter U730 and ensure that the counter and the clock circuit will keep running even if a short occurs on the buffered OSAM1, OSAM2, or RESET lines.

### CCD Data Clocks

The CCD Data Clocks  $\overline{\text{DS11}}$ ,  $\overline{\text{DS13}}$ ,  $\overline{\text{DS21}}$ , and  $\overline{\text{DS23}}$ , generated by counter U721, shift register U831, and the associated logic gating, are responsible for multiplexing the four CCD/Clock Driver output levels (CH 1 CCD01, CH 1 CCD03, CH 2 CCD01, and CH 2 CCD03) onto the CCD DATA line for digitization by the A/D Converter. Figure 3-3 (shown previously) illustrates timing of the stage.

When the SYNC output from U830 pin 15 goes LO (for 50 ns at the end of the  $\overline{\text{TTL4C}}$  cycle), the outputs of NAND-gate U620A and inverter U513D go HI, and the output of AND-gate U623A goes LO. This places counter U721 and shift register U831 in their parallel load mode, and the next 20 MHz clock rising edge (start of next  $\overline{\text{TTL4C}}$ ) loads in the fixed logic levels at their D inputs. The data bits (1000 binary) loaded into shift register U831 set the DS23 (data select CH2 phase-3) output bit (pin 15) HI, with all other output bits LO. The LO  $\overline{\text{DS23}}$  output from inverter U832D is applied to Q880 (fig. FO-22) to switch the CCD output data from the CH2 CCD array phase-3 output onto the CCD DATA line, where it is applied to A/D Converter U560 (fig. FO-23).

That same 20 MHz clock loads counter U721 with 0111 binary and clocks SYNC from pin 15 of U830 HI. With SYNC HI, shift register U831 is in hold mode, and counter U721 is enabled to count via AND-gate U623A. Counter U721 increments from the beginning count of 0111 to 0000 (nine, 20 MHz clocks—450 ns), at which time the  $\overline{\text{SHIFT}}$  output from OR-gate U522A goes LO. This sets up shift register U831 (via U620A) to shift and via U623A places U721 in load mode. The next 20 MHz clock (at 500 ns) shifts a new LO from the SR data input of U831 into the QA output and shifts the HI from the  $Q_c$  output to the  $Q_b$  output (DS11). Counter U721 is also reloaded with 0111 binary for the next count cycle.

Similar 500 ns count cycles shift the HI bit to each output of shift register U831 in succession until, during the last 50 ns of the HI state of the DS13 signal (U831 pin 15),  $\overline{\text{SYNC}}$  goes LO again. The LO sets up U721 and U831 to load on the next 20 MHz clock. The next clock (concurrent with  $\overline{\text{TTL4C}}$  going LO) loads both U721 and U831 and starts the cycle over again. The arrival of the SYNC signal ensures that the presetting load of U721 and U831 always occurs concurrently with  $\overline{\text{TTL4C}}$  going LO. The four data-select clocks (and their inverted outputs) are thereby synchronized to CCD/Clock Driver output cycles.

The DS21 signal is also applied to a circuit formed by flip-flop U720B and exclusive-OR gate U711D. One input of U711D is held permanently HI so the gate acts as an inverter for the DS21 signal on the other input. When the DS21 logic level goes HI, the output of U711D goes LO and flip-flop U720B become set with the Q output (pin 9) HI. At the end of the HI logic level, the DS21 signal goes LO, but the Q output remains HI until the next rising edge of the D<sub>4</sub>XPC clock (4XPC delayed by one 20 MHz clock cycle) clocks the LO on the D input through the flip-flop. This circuit action has the effect of stretching the DS21 signal by 50 ns. The resulting DDS21 signal is applied to Time Base Controller U670 (fig. FO-16).

The delayed D<sub>4</sub>XPC and D<sub>z</sub>4XPC clocks are produced by using the 4XPC clock as the data source for the shift-right input to register U162 and clocking that data right to the shift register outputs with the 20 MHz clock (C20M1). The first output signal (Q<sub>1</sub>) is delayed from the input clock by 50 ns and the second (Q<sub>2</sub>) by 150 ns. D<sub>z</sub>4XPC is applied to NAND-gate U650B (fig. FO-16) for use in controlling the timing of the  $\overline{\text{SAVEACQ}}$  signal to the Acquisition Memory. The time delay ensures that the data written to Memory has stabilized at the output of the A/D Converter.

### Reference Frequency Selector

The PLL (phase-locked loop) Reference Frequency Selector, U722A, selects either a 4 MHz or a 5 MHz clock signal as the reference frequency to the Phase-Locked Loop (PLL) circuit (U381, fig. FO-19). The Phase-Clock Oscillator in the PLL circuit runs at 50 times the selected reference frequency, so sampling clocks to Phase Clock Array U470 are generated at a rate of either 200 MHz or 250 MHz. The two choices of signal frequencies provide the correct input frequency to the internal dividers of the Phase Clock Array needed to generate the clocks for each SEC/DIV setting sample rate.

Flip-flop U523A is configured as a divide-by-two circuit that divides the 8 MHz (C8M) clock to produce a 4MHz clock at its Q output (pin 6). The SEL4/5 (select 4 MHz/5 MHz) signal on pin 14 of U722A selects whether this 4 MHz clock or the 5 MHz clock from U710 will appear at the REF4/5 output pin. The signal inputs to the

multiplexer are connected so that when SEL4/5 is HI, the 5 MHz clock is selected; when it is LO, the 4 MHz clock is selected. The 4MHz signal is inverted by U832F and applied to the Front-Panel Processor (U700, fig. FO-8) as the clocking frequency.

## TIME BASE CONTROLLER AND ACQUISITION MEMORY

Time Base Controller (U670, fig. FO-16) and its associated gating circuitry generates the control signals and clocks to cause acquisitions in the various modes to occur. It keeps track of how the acquisition is progressing, starts the digitization of the samples by the A/D Converter when the correct number of data points have been acquired, and moves the digitized samples to Acquisition Memory (U600). The Acquisition Memory provides temporary storage of the converted data to permit the Waveform Processor to access the data as it is needed to update the display.

### Time Base Controller

Time Base Controller U670 monitors and controls the various acquisition functions. Two different operating modes of the CCD (charge-coupled devices) must be controlled by U670; these are the FISO mode (fast-in, slow-out) and the Short-Pipe mode (slow-in, slow-out). FISO mode is used at sweep speeds faster than 100 ms/div when the analog sampling must occur at the fastest possible rate. The Short-Pipe mode is used for lower frequency signals when the A/D conversion rate is much faster than the signals being sampled.

The major Time Base Controller functions in FISO (fast-in, slow-out) mode are:

- Ensure that enough samples are in the CCD/Clock Driver "B" register to fill the "pretrigger" requirements.
- Ensure that the proper number of "post-trigger" samples are moved into the "B" register after triggering occurs.
- Discard the proper number of unneeded samples at the start of "slow-out" conversion.
- Ensure that exactly 1024 samples are moved to the Acquisition Memory during the "slow-out" conversion process.

Major functions in Short-Pipe mode are:

- Ensure that valid data has made it through the "short-pipe" path of the CCD/Clock Driver.



- b. Synthesize the proper sample rate called for by the SEC/DIV setting.
- c. Ensure that enough samples have been saved in the Acquisition Memory to fill pretrigger requirements before enabling the Triggers.
- d. Ensure that the proper number of post-trigger samples are stored into the Acquisition Memory after the trigger event.

The instruction registers within Time Base Controller U670 are enabled when  $\overline{\text{TBSEL}}$  from the System Processor is LO. A register is selected for writing to or reading from by address lines A0, A1, and A2. Setup data from the System Processor data bus is buffered to the selected register via bidirectional buffer U641 and written into the selected internal register by the WR (write) signal applied to pin 14. Acquisition mode, SEC/DIV setting, trigger position, and several other functions are controlled by the System Processor via the commands written to the instruction registers within U670. Status data and register contents may be read out of the Time Base Controller registers by the System Processor in a similar manner using the RD (read) signal to reverse the data paths in buffer U641 and the internal circuitry of U670.

The FISO (fast-in, slow-out, pin 36), ROLL (pin 2), SEL4/5 (select reference -4 MHz/5 MHz, pin 28), and ENVL (envelope, pin 39) outputs are set indirectly by System Processor writes to the internal control registers at the start of each acquisition cycle. Control signals are then output by an internal state machine of the Time Base Controller to dynamically control the acquisition circuitry in the required mode and signal acquisition rate (set by a combination of FISO and SEL4/5). Writing to these "register" locations also allows the System Processor to generate several strobes for internal latching and control functions.

A state machine internal to Time Base Controller U670 runs the acquisition process from start to finish. When all internal registers are properly loaded, the System Processor writes to location 6022h, generating a strobe that switches acquisition control to the Time Base Controller. This starts the acquisition system, and samples are taken in the defined mode. For FISO operations, the following occurs.

A counter internal to U670 begins counting TTL1B (TTL version-Phase 1B) clocks to determine when at least enough samples have been transferred into the "B" register of the CCD/Clock Drivers to fill "pretrigger" requirements. Samples will then continue to be placed in the B register, but no output samples will be saved until the record trigger occurs. (All 1054 locations in the two sides of 16 by 33 bit register will fill if a record trigger does not occur before that many samples have been taken.) Each  $\overline{\text{TTL1B}}$  clock represents 32 analog samples (two 16-sample sides) transferred into the CCD/Clock Drivers

B register. When the proper number of pretrigger samples have been loaded, U670 will set its EPTHO (end of pretrigger holdoff) line HI. This signal enables Trigger Logic Array U370 (FO 19), and the state machine in Time Base Controller U670 starts watching the SYNTRIG (synchronized trigger) input (pin 30) from the Phase Clock Array (U470, fig. FO-19) for the "record" trigger. In the meantime, the Trigger Logic Array will be counting delay clocks (DELCLK) to fulfill any specified delay requirements before a record trigger is permitted to be generated.

When the delay requirements are met, the SYNTRIG is allowed to occur when a trigger event occurs. The counter then watches  $\overline{\text{TTL1B}}$  to determine when the proper number of post-trigger samples have been moved to the B register to fill the post-trigger requirements, then it sets SO (slow-out, pin 38) HI. This stops the sampling process and starts A/D conversion of the analog samples stored in the CCD/Clock Driver B register.

Since the trigger event can occur at any one of the 32 analog samples that are taken between each  $\overline{\text{TTL1B}}$  clock, and since the Time Base Controller only keeps track of the number of pretrigger and post-trigger samples in terms of these 32-sample records, there are usually some samples at the beginning of those in the CCD/Clock Driver B register that are extra. When the analog samples are serially moved out of the CCD/Clock Driver for digitization, these extra samples must be ignored in order to maintain proper trigger location within the complete record. The Phase Clock Array (U470) knows where the record trigger occurred relative to the  $\overline{\text{TTL1B}}$  pulse (1-of-32 position) and sends this information to U670 on the TL0-TL4 (trigger location bits 0 through 4) lines. This trigger-location number is loaded into the counter and, as the samples are moved out of the CCD/Clock Driver, that number of samples is essentially discarded. Those samples are A/D converted but will not be stored because U650B is not yet enabled to gate the  $\overline{\text{SAVEACQ}}$  signal used to write the data into the Acquisition Memory.

Once the extra samples have been counted, the ACQUIRE output is set HI, enabling U650B. Since the instrument is in FISO mode, the output of U512C will be HI and the  $\overline{\text{SAVEACQ}}$  signal used to save waveform data into the Acquisition Memory (via U501) is controlled by the output of U642 (fig. FO-15). This input to NAND-gate U650B is a delayed version of the 4XPC (2 MHz) clock (D24XPC). The 150 ns delay provided ensures that the A/D Converter output byte has settled before being written to the Acquisition Memory.

When the Time Base Controller is in control of writing data to the Acquisition Memory, the  $\overline{\text{SAVEACQ}}$  clock is routed through U501 of the Memory Mode Control logic and becomes the WE (write enable) clock used to write waveform data into Acquisition Memory U600. That data is obtained from the Acquisition Latches (fig. FO-23) via

buffer U613. The WE signal is also used to increment the memory Address Counter (U300, U400, and U401) the result being that digitized samples from the Acquisition Latches are saved interleaved in consecutive memory locations. Each address is latched into the Record-End Latch (U502 and U601) as the data-write ends, so that the address of the last-stored sample is always available. This information is used as a pointer when generating waveform displays.

As the digitized samples are moved to Acquisition Memory, an internal counter in Time Base Controller U670 watches the DS21 and DS23 clocks (pins 6 and 17) to determine when 1024 points (or 512 max/min pairs in Envelope mode) from each CCD/Clock Driver (CH 1 and CH 2) have been stored. When 2048 samples have been saved, the Time Base Controller will set ACQUIRE (pin 24) LO, disabling memory saves, and it will set its ACQDN (acquisition done) status line (pin 25) HI. The Waveform Processor (U470, fig. FO-6) then takes over for transfer of the acquired waveforms to the Waveform Processor Save Memory.

When the Waveform Processor (U470, fig. FO-6) reads the HI ACQDN status via U542 (fig. FO-6), it reads the address of the last-saved point from the Record-End Latch (U502 and U601). Since the Acquisition Memory addresses are circular (incrementing the Address Counter from its last address back to the first address), it knows the record begins at the next address. With TB2MEM LO, the  $\overline{ACQ}$  signal is routed through Mode Logic Switch U501 to become the  $\overline{WP2MEM}$  signal. The  $\overline{ACQ}$  signal going LO from the Waveform Processor via address decoder U570 enables data buffer U610 to permit the Waveform Processor to access the waveform data stored in the Acquisition Memory (see "Waveform Processor System" description).

**SHORT-PIPE OPERATION.** Short-Pipe operation is similar to FISO in the way mode and setup data are loaded and the way the internal counter is used to keep track of various events. The major differences are: Short-Pipe mode moves input samples directly from the CCD/Clock Driver "A" register input, down the first "B" register channel and out of the CCD/Clock Driver through the "C" register. Short-Pipe mode must also synthesize the sample clock rate.

To synthesize the sample rate for the Short-Pipe mode, FISO (from U670 pin 36) is set LO by the System Processor, thereby enabling the CE2B/N (clock enable 2B divided by N) input to U512C. The CE2B/N clock (along with the  $D_24XPC$  clock) then controls saving the waveform data into the Acquisition Memory. In Short-Pipe mode, CCD sampling occurs at a continuous 1 MHz rate, but due to SEC/DIV setting data written to an internal counter in U670, the synthesized  $\overline{CE2B/N}$  clock will only allow every "Nth" point to be saved in Acquisition memory to produce only 50 data points per division in the display.

Samples between the saved Nth points are ignored. The synthesized  $\overline{CE2B/N}$  clock will only enable U650B long enough to save either two or four points and is dependent on the sweep-rate division factor written to the internal counter. This allows effective sample rates down to 1 sample every 2 ms (100 ms/div) to be achieved. The SDC (slow-delay clock, U670— pin 29) runs at this effective sample rate and allows the Trigger circuits to count delay periods in terms of sample intervals.

Since CCD/Clock Driver samples are moved directly from the input to the output via the first B register and since stored samples may occur at a rate different than the sample rate, pretrigger and post-trigger counting is done relative to samples actually stored into the Acquisition Memory. When enough valid pretrigger points have been saved, EPTHO enables the Triggers. Data is saved in bursts of two points (four points in ENVELOPE acquisition mode), one for CH 1 and one for CH 2, at the synthesized rate. When the trigger event occurs, the Trigger location bits are set relative to the synthesized clock and allow a data correction algorithm to correct already-acquired data points relative to the trigger event. Post-trigger sampling occurs at the defined rate, and since A/D converted data already is stored in Acquisition Memory, ACQDN is set. Waveform data bytes are moved to the Save Memory by the Waveform Processor and control is given back to the System Processor.

**LOAD LATCHES FLIP-FLOP.** In Envelope Mode, Load Latches flip-flop U651A puts out a signal at the beginning of each envelope sampling interval that is HI for four acquisition cycles. That HI LOAD LATCHES signal loads the first four acquired data points (two min-max pairs) into the Acquisition Latches to be used for min-max comparison to the following waveform samples in that Envelope sampling interval.

The Set input of U651A is HI during Envelope, the output of the flip-flop is controlled by the DS23 clock and the CE2B/N clock (on the D input). The CE2B/N clock is a divided down DS23 clock, with the division factor depending on the SEC/DIV setting. The division factor determines how many waveform samples will be compared for new max and new min during each envelope sampling interval. Only the maximum and minimum waveform data point values that occur during the envelope sampling interval are transferred to the Acquisition Memory.

For non-envelope acquisitions, ENVL is LO. The Set input of flip-flop U651A is therefore asserted, and U651A will be held in the Set state with the Q output (LOAD LATCHES) held HI. That constant HI signal applied to the Acquisition Latch Switches circuitry causes each data point acquired to be loaded into the Acquisition Latches and transferred into Acquisition Memory.

**ROLL LOGIC.** In ROLL mode the display is constantly being updated as new data points are available. A means is provided to tell the Waveform Processor when new data points are available. An interrupt to the Waveform Processor is generated by the Roll Logic flip-flop, U651B. When the ACQUIRE signal from Time Base Controller U670 goes HI, new waveform data points are acquired. The HI state of that signal is clocked to the Q output of flip-flop U651B on the rising edge of the  $\overline{CE2B/N}$  signal; the same signal that causes the sample data to be saved into the Acquisition Memory in Short-Pipe mode. The PTAVAIL signal at the Q output is an interrupt to the Waveform Processor. When the Waveform Processor services the interrupt request, it sets  $\overline{PTACK}$  (point acknowledge) LO via U500B and U500C to reset the flip-flop in preparation for the next new data points. The saved points are also moved to the Save Memory and then to the Display Memory for a display update.

In NORMAL mode, the ROLL signal is LO, and NAND-gate U500B outputs a continuous logic HI that holds the Roll Logic flip-flop in the Reset state (with the Q output LO).

## Memory Mode Control

The Memory Mode Control circuit is made up primarily of Mode Selector Switch U501, a quad 2-to-1 multiplexer that switches control signals between those of Time Base Controller U670 and those of the Waveform Processor. Selection is done by the TB2MEM signal from AND-gate U731D pin 11.

The WE (write enable) output from Mode Selector Switch U501, pin 12, controls both writing into the Acquisition Memory and incrementing of the Address Counter. With TB2MEM set LO, the  $\overline{WWR}$  (Waveform Processor write) signal gated through OR-gate U512D to the 4A input (pin 13) of U501 controls writing to the Acquisition Memory. The OE (output enable) derived from the Waveform Processor  $\overline{WRD}$  (Waveform Processor read signal), controls the output of Acquisition Memory data. It is asserted LO only when the Waveform Processor is trying to read Acquisition Memory locations.

With TB2MEM HI, the  $\overline{SAVEACQ}$  signal from NAND-gate U650B, is selected as the WE signal, and the OE is set HI to disable the Acquisition Memory from outputting data. Data buffer U613 is enabled by the LO level of the  $\overline{EOE}$  signal from pin 7 of the Mode Select Switch to connect the envelope logic latch bus to the input bus of the Acquisition Memory.

When the Waveform Processor wants to access the Acquisition Memory, it will set the  $\overline{ACQ}$  line LO to enable its control signals to the inputs of Mode Logic Switch U501 and wait for the ACQUIRE signal from Time Base Controller U670 (fig. FO-16) to go LO (indicating that the Time Base Controller is finished acquiring). When AC-

QUIRE goes LO, the output of AND-gate U731D (TB2MEM) goes LO and the Mode Selector Switch selects the Waveform Processor signals to control the Acquisition Memory. The LO TB2MEM signal also sets the Address Counters to their Load state, and the counter outputs then follow the WAO-WAA (Waveform Processor address bits 0-A) lines, giving direct access to Acquisition Memory data locations by the Waveform Processor.

## Address Counter

The Address Counter increments the Acquisition Memory address as each point is saved. Each write into Acquisition Memory ends with the WE (write enable) signal going HI, clocking the counter to address the next sequential Acquisition Memory location.

The TB2MEM signal from AND-gate U731D controls the mode of the Address Counter (composed of binary counters U300, U400, and U401). When the TB2MEM signal goes LO, the counters become "transparent." This connects the Waveform Processor address bus to the address inputs of the Acquisition Memory so that the Address Counter output follows the WAO-WAA (Waveform Processor address bits 0-A) lines. When the TB2MEM signal is HI, the Time Base Controller is in control of the Acquisition Memory, and the counter will be in its count mode as the acquired signals are being stored into the Acquisition Memory.

## Acquisition Memory

Acquisition Memory U600 is a random-access memory device (RAM) that provides temporary storage of acquired data points before they are moved into Save Memory. Analog waveform samples from the CH 1 and CH 2 CCD/Clock Drivers are digitized and moved into Acquisition Memory under control of the Time Base Controller (fig. FO-16), alternating CH 1 data with CH 2 data. The Waveform Processor reads the data out of Acquisition Memory via buffer U610, unscrambles it, and moves it to proper Save Memory locations.

**MEMORY INPUT BUFFER.** Memory Input Buffer U613 applies the time-multiplexed waveform data bytes from the Acquisition Latches to the data inputs of the Acquisition Memory inputs at all times except when the Waveform Processor is accessing the Memory. Inverter U620D inverts the most-significant bit of the sample data so that range center of the A/D Converter output corresponds to 00h (center screen value), thereby creating bipolar data referenced to center screen.

## Record-End Latch

The Record End Latch composed of U502 and U601 continually latches the address of the last Acquisition memory location that was written. The latch is clocked on the rising edge of the WE clock (from the  $\overline{SAVEACQ}$  signal or the Waveform Processor  $\overline{WWR}$  signal via Mode Logic

Switch U501) and provides the Waveform Processor with the last address written (the end of the record for a full acquisition) by the Time Base Controller or read by the Waveform Processor. Since the Acquisition Memory addresses are circular, the start of a FISO record will always be the Record End address plus one. In Short-Pipe mode, the Waveform Processor will read those (two for normal, four for envelope) points immediately preceding (and including) the Record End address. The latched address (plus the trigger location data) is placed on the Waveform Processor data bus by asserting  $\overline{\text{RDMAR0}}$  and  $\overline{\text{RDMAR1}}$  (read memory address) lines.

Two-to-one multiplexer U722B applies either trigger-location bit 4 (TL4) or the Time Base Controller TBTRIG (time base triggered) status bit to latch U502, depending on whether FISO or Short-Pipe mode is called for. The TBTRIG bit used in Short-Pipe mode tells the Waveform Processor when the Time Base Controller detected Record Triggering.

## ATTENUATORS AND PREAMPS

The Attenuators and Preamps circuitry (fig. FO-17) allows the operator to select the vertical deflection factors. The Front Panel Processor monitors the VOLTS/DIV switches and VOLTS/DIV VAR controls and passes changes to the settings to the System Processor which then digitally switches the attenuators and sets the Preamplifier gains accordingly. Vertical Couplings are similarly controlled.

### Channel 1 and Channel 2 Attenuators

The Channel 1 and Channel 2 Attenuators are identical in operation, with corresponding circuitry in each channel performing the same function. Therefore, only the Channel 1 circuitry is described.

An input signal from the Channel 1 input connector is routed through an attenuator network by four pairs of magnetic-latch relay contacts. The position of the relays is set by data placed into Attenuator Control Register U511 by the System Processor. Relay buffers U510 and U520A and ATTEN CLK circuitry, U520D, Q620, and Q621 provide the necessary drive current to the relay coils.

Four input coupling modes (1 M $\Omega$  AC, GND, 1 M $\Omega$  DC, and 50  $\Omega$  DC) and three attenuation factors (1X, 10X, and 100X) may be selected by closing different combinations of relay contacts. The relay contacts are magnetically latched and, once set, remain in position until new attenuator settings are loaded into the Attenuator Control Register and clocked by the ATTEN CLK circuitry. (See the "Attenuator Control Register" description for a discussion of the relay-latching procedure.) The three attenuation factors, along with the programmable and

variable gain factors of the CH1 Preamp, are used to obtain the complete range of vertical deflection factors.

The 50  $\Omega$  termination resistor has a thermal sensor associated with it that produces a DC voltage (CH 1 OVL) proportional to the input power. Should the input power exceed the normal safe operating level for the 50  $\Omega$  DC input, the output voltage from the thermal sensor will exceed the normal operating limit. The amplitude of this DC level is periodically checked by the Front Panel Processor to detect if an overload condition is present. If an overload occurs, the System Processor switches the input coupling to the 1 M $\Omega$  position to prevent damage to the attenuator, and the error message "50  $\Omega$  OVERLOAD" is displayed on the CRT. At power-off, the input coupling is automatically switched to the 1 M $\Omega$  position to prevent an unmonitored overload condition from accidentally occurring.

Compensating capacitor C414 is manually adjusted at the time of calibration to normalize input capacitance of the preamplifier to the attenuator.

A probe-coding ring around the BNC input connector passes probe-coding information (a resistance value to ground) to the Front Panel Processor for detection of probe attenuation factors. The readout scale factors are then set to reflect the attenuation factor of the attached probe.

### Attenuator Control Registers

The Attenuator Control Registers, composed of shift registers U511 and U221, allow the System Processor to control the settings of the input coupling and attenuation factors. To set the input coupling mode and attenuation factors for Channel 1 and Channel 2, a series of eight 16-bit control words are serially clocked into U221 and U511 (eight bits in each register). Each control word is used to set the position of one of the eight attenuator and coupling relays (four relays are in each attenuator assembly). Each control word will have only the bit corresponding to the specific relay contact to be closed set HI. Relay buffers U510 and U520A (for Channel 1) and U220 and U520B (for Channel 2) are open-collector drivers that invert the polarities of all bits. This results in a LO being applied to only the coil lead associated with the contact to be closed; all other coil leads are held HI.

**ATTENUATOR CLK CIRCUIT.** To set a relay once the control word is loaded, the System Processor generates an ATTN CLK (attenuator clock) to U520D pin 4 via R530 and C530. The strobe pulses the output of U520D LO for a short time. This output pulse attempts to turn on both Q620 and Q621 (relay drivers) via their identical base-bias networks. Due to the lower level from the turned on Darlington relay buffer (coupled through the associated coil diode and either CR610 or CR622 to one of the bias networks), one transistor will turn on harder as

the ATTN CLK pulse begins to forward bias the transistors. The more positive collector voltage of the transistor turning on harder is fed through the bias diode (again either CR610 or CR622) to further turn off the opposite transistor. This action results in one transistor being fully on and the other one being fully off. The saturated transistor supplies a current path through the two stacked relay coils to the LO output of either U221 or U511 to close the selected contacts. Once set, the magnetic-latch feature will hold the relay set to this position until opposing data is clocked into the Attenuator Control Registers and strobed into the relay. All coil leads for the remaining relays are set HI, and only the selected relay will be set.

To set the seven remaining attenuator and coupling relays, the sequence just described is repeated seven more times. Whenever the System Processor is informed by the Front Panel Processor that the attenuation factor or input coupling has changed, the entire relay-setting procedure is repeated for all eight relays.

The MSB (most-significant bit) of the Attenuator Control Registers, ATD15, is routed back to the System Processor via CR287 and U380A (fig. FO-12), allowing diagnostic readback of the register contents.

## CH1 Preamp

CH 1 Preamp U420 converts the single-ended input signal from the CH1 Attenuator to a differential output signal used to drive the CH1 Peak Detector (U440, fig. FO-18). The device provides amplification in predefined increments, depending on the control data written to it from the System Processor. The CH1 Preamp also has provisions for signal inversion, variable gain, vertical positioning, trigger signal pickoff, and balance control.

The Channel 1 vertical input signal is applied to pin A of CH1 Preamp U420 via C1005, R1005, and R1015. Resistor R1015 is a damping resistor, and the two series diodes to the -8 V supply, CR410 and CR411, protect the input from excessive negative voltages. The differential signal outputs (+ OUT and -OUT) sink 12 mA of common-mode current from the CH1 Peak Detector inputs and drive those 75  $\Omega$  inputs with a 0.25 mA per division output signal.

Control data from the System Processor is clocked into the internal control register of U420 via pin 22 (CD) by the clock signal applied to pin 23 (CC). This data causes the CH1 Preamp either to multiply the normalized gain (5 mV/div) by 2.5 or 1 or to divide the normalized gain by 2, 4, or 10. The resulting sensitivities are 2 mV/div, 5 mV/div, 10 mV/div, 20 mV/div, and 50 mV/div respectively.

Three analog control voltages set by the System DAC circuitry (fig. FO-12 and fig. FO-13) modify the differen-

tial output signal at pins 9 and 10 of the CH1 Preamp. CH1-BAL (Channel 1 Balance) is applied to U420 pin 2 from the sample-and-hold circuit formed by U641B and C648 (fig. FO-12). This signal is a DC-offset level determined during the auto-calibration procedure. The offset value is stored as a calibration constant in nonvolatile memory and, like the other System DAC outputs, is updated approximately every 64 ms, holding the CH1 Preamp in a DC-balanced condition.

The voltage level of the CH1-PA-POS (Channel 1 Preamplifier Position) signal, from the circuit which includes U630A and U630B (fig. FO-13), vertically positions the channel 1 trace. When the CH1 Vertical Position control on the Front Panel is turned, the Front Panel Processor detects the change and reports it to the System Processor. The System Processor incorporates the change and causes subsequent System DAC updates to reflect the new value in the analog voltage level of the CH1-PA-POS signal.

A user may change the Channel 1 variable gain by pressing the CH1 VARIABLE button and pressing the appropriate menu choice buttons. The Front Panel Processor detects these switch closures and reports them to the System Processor. The System Processor modifies the memory value that is sent to the DAC System to reflect the user-defined variable gain factor in the CH1-GAIN-CAL signal. The memory value that is modified is the calibrated value derived at the time of instrument self-calibration and stored in nonvolatile memory. Selecting the CAL menu choice, removes the variable gain modification and returns the calibrated gain setting.

A pickoff amplifier internal to U420 conditions the trigger signal and provides the proper signal level at pin 15 to drive the A/B Trigger Generator (fig. FO-19). The pickoff point for the trigger signal is prior to the addition of the vertical-position offset, so the position of the signal on the CRT has no effect on the trigger operation. However, the pickoff point is after the balance and variable gain have been added to the signal, so both of these functions affect trigger operation.

Common-mode signals are rejected from the trigger signal by the circuitry composed of operational amplifier U230B and associated components. The inverting input of U230B (pin 6) is connected to the common-mode point between + PICK (pin 12) and -PICK (pin 15) of U420. Any common-mode signals present are inverted and applied to a common-mode point between R133 and R235 to cancel the signals from the differential output. A filter network composed of LR421 and a built-in circuit board capacitor reduces trigger noise susceptibility.

The drain voltage for the input FET of the CH1 Preamp is provided by the circuit composed of VR420, R512, R515, and R516. Resistors R516 and R515 are part of the self-calibration circuitry and are used to match the gain of

the CH1-BAL signal (pin 2) with that of the output of the attenuator.

## CH2 Preamp

Operation of CH2 Preamp U320 is nearly identical to that of the CH1 Preamp just described. The exception is that the signal obtained from the pickoff reverse-termination return (pin 11) is used to drive the rear-panel CH 2 SIGNAL OUTPUT connector.

The amplified + PRTR signal from U320 pin 11 provides an accurate representation of the Channel 2 signal at the rear-panel CH 2 SIGNAL OUTPUT connector. The + PRTR pickoff signal is applied to the emitter of Q240B via a voltage divider formed by R234, R241, and R240. Transistor Q240B, configured as a diode, provides thermal compensation for the bias voltage of Q240A and reduces DC level shifts with varying temperature. Emitter-follower Q240A provides the drive and impedance matching to the CH 2 SIGNAL OUTPUT connector and removes the diode drop added by Q240B. Clamp diodes CR140 and CR141 protect Q240A should a drive signal be accidentally applied to the CH 2 SIGNAL OUTPUT connector.

## External Trigger Preamp

The functions provided by External Trigger Preamp U100 are similar to those provided by the CH1 and CH2 Preamps. The single-ended EXT TRIG 1 and EXT TRIG 2 input signals are buffered by U100 and routed to A/B Trigger Generator U150 (fig. FO-19) where they are available for selection as the trigger source for either the A or B trigger signal.

External trigger signal sensitivities may be set by the user to allow triggering ranges of either  $\pm 0.9$  V (EXT  $\pm 1$ ) or  $\pm 4.5$  V (EXT  $\div 5$ ). Larger applied voltages on the external trigger inputs will exceed the control ranges of the Trigger System. The logic levels of control bits applied to U100 pin 30 (GA3) and pin 31 (GA4) from Source Select Control Register U140 (fig. FO-12) set the gain of the EXT TRIG 1 and EXT TRIG 2 Preamps respectively.

DC offsets in the output signal due to any tracking differences between the + 5 V and the -5 V supply to U100 are reduced by the Tracking-Regulator circuit composed of U120, Q110, and associated components. Operational amplifier U120 and Q110 is configured so that the output voltage at the emitter of Q110 follows the -5 V supply applied to R210. This tracking arrangement ensures that the supply voltages are of equal magnitude to minimize DC offsets in the output signals.

## PEAK DETECTORS AND CCD/CLOCK DRIVERS

The Peak Detectors and CCD/Clock Drivers (fig. FO-18) form what is essentially a very fast analog shift register. Waveform samples from each Preamp (U320 and U420, fig. FO-17) are loaded into the shift register array at a selected sample rate up to 10 ns per division and clocked out at a slower fixed rate for digitization by the A/D Converter (fig. FO-23).

Peak Detectors U340 and U440 are hybrid devices having two modes of operation: "track" and "peak detect." For NORMAL and AVG (average) acquisition modes, the Peak Detectors track the input signal and provide signal gain from the Preamps to the CCD/Clock Drivers. In the peak detect mode used for ENVELOPE acquisitions, the Peak Detectors detect and hold the most positive and the most negative amplitude value of the input signal that occurs during each sampling interval. The peak values are amplified as in the NORMAL and AVG modes and applied to the input registers of the CCD/Clock Drivers in such a manner as to produce a composite waveform of the most positive and most negative waveform amplitudes.

CCD/Clock Drivers U350 and U450 are hybrid devices containing a charge-coupled device (CCD) integrated circuit and a Clock Driver integrated circuit. The charge-coupled devices are very fast analog shift registers. Differential signal levels applied to the inputs of the CCD from the Peak Detectors are sequentially clocked into the CCD registers at the processor-selected sample rate as determined by the SEC/DIV switch setting. Movement of the analog samples through the CCD is controlled by the Clock Driver circuitry of the devices. Shifting the samples out of the CCD to be digitized is done with the combined clocking action of the internal Clock Drivers and the clock signals supplied externally to the CCD via Q450, Q460, Q550, Q551, and Q560. All control logic for the CCD/Clock Drivers, with the exception of the  $\overline{\text{RESET}}$  signal from the System Clocks (fig. FO-15), is derived from Phase Clock Array U470 (fig. FO-19).

Signal samples from both vertical channels are continuously loaded into and shifted through the CCD until a trigger event occurs. The Time Base Controller (U670, fig. FO-16) then allows a specific number of further analog samples to be shifted into the CCD depending on the number of post-trigger samples needed to fill the waveform record. That number is determined by the TRIG POSITION setting for the acquisition. When the necessary samples have been loaded into the CCD, sampling is halted. The differential analog samples stored in the CCD are then shifted out of the CCD to the CCD Output circuitry (fig. FO-22) where they are conditioned and multiplexed to the A/D Converter to be digitized.

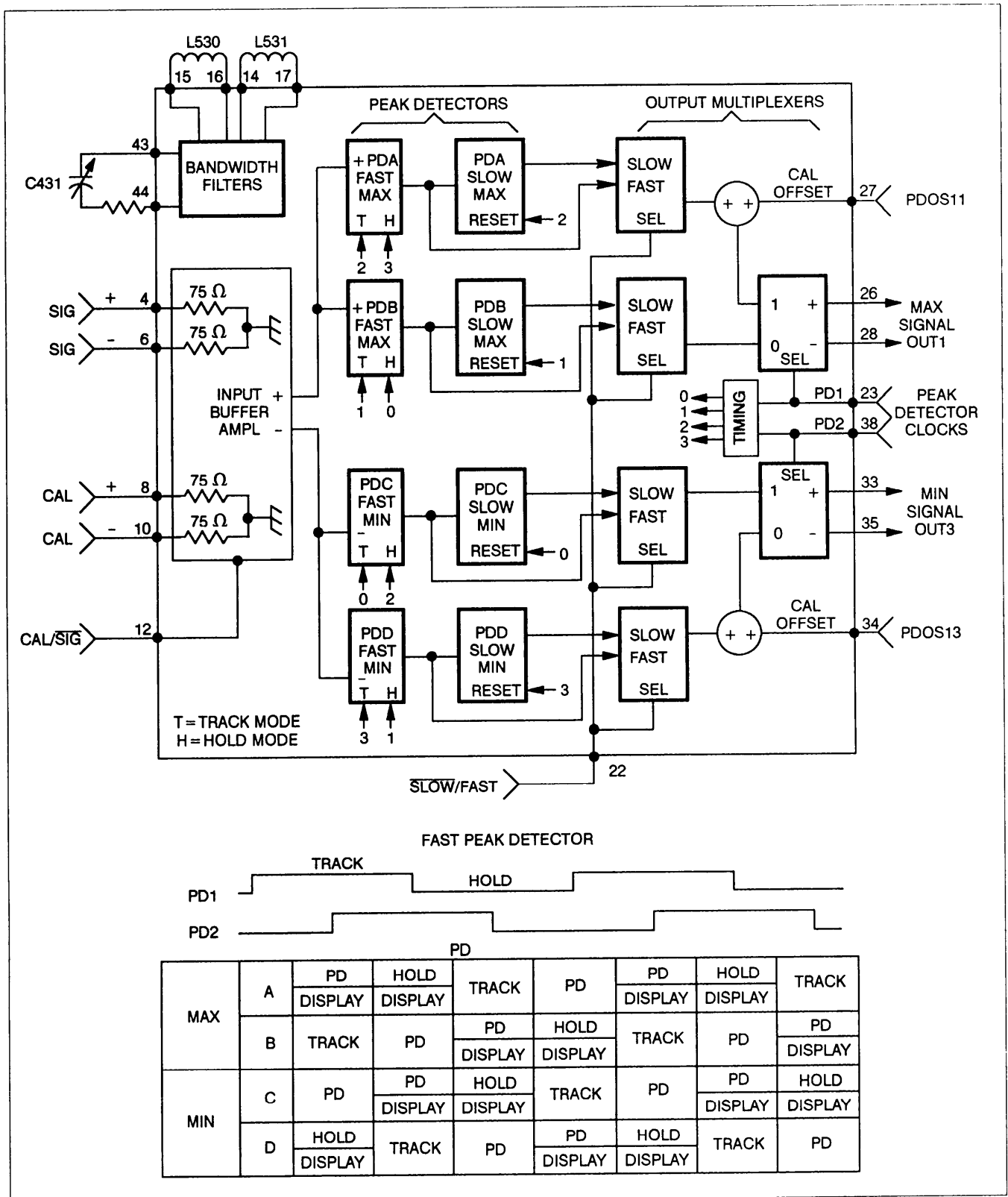


Figure 3-4. Simplified Peak Detector block diagram.

## CH1 and CH2 Peak Detectors

The Peak Detectors provide peak detection, gain, and buffering of the CH 1 and CH 2 signals. Peak detect is enabled for ENVELOPE mode acquisitions only, but signal buffering is provided for all modes. Operation of both Peak Detectors is the same; therefore, the description is limited to the CH 1 circuitry. A simplified block diagram of the Peak Detector is shown in Figure 3-4.

Two user-selectable bandwidth limiters provide bandwidth reductions to either 20 MHz or 50 MHz for the signal through the Peak Detectors. Fifty megahertz bandwidth is adjusted by C431 for CH 1. The input stage of the Peak Detector is where bandwidth limiting is switched. Three bandwidth-select bits (FULL, 50 MHz, and 20 MHz) applied from the Peak Detector Control register (U530, fig. FO-12) control the bandwidth. Only one control bit at a time is set HI, and that bit controls the input amplifier bandwidth accordingly.

The differential signal from the CH 1 Preamp is applied to the CH 1 Peak Detector (U440) on input pins 4 and 6. In ENVELOPE acquisition mode, two sets of two fast-peak detectors following the input stage are used to permit continuous peak detection of negative and positive peaks of the input signal. While the PDA fast-peak detector is peak detecting the positive peak, the PDB peak detector is holding the last peak or resetting and vice versa (see table in fig. 3-4). Each of fast-peak detectors is followed by a slow-peak detector to increase the peak-hold time to the CCD input register. The outputs of the positive peak detectors are multiplexed to the differential OUT1 pins (pins 26 and 28) while the outputs of the negative peak detectors are multiplexed to the differential OUT3 pins (pins 33 and 35).

For NORMAL and AVERAGE acquisition modes, the Peak Detector operates in the track mode. To track the input signal and supply buffering only to the input signal, pin 21 (PD) is set HI and pin 22 (SLOW/FAST) is set LO, and the differential peak-detector clock signals (PD1 and PD2) are held at fixed levels (PD1 LO and PD2 HI). These control state levels set up one of the fast-peak detectors in the positive- and negative-peak detectors to follow the input signal in the track mode. The differential outputs at OUT1 and OUT3 follow the input signal at a signal level of 400 mV/division with a DC common-mode voltage of about 9 V. The CCD/Clock Driver SIG1 and SIG3 inputs are high impedance, so output loading of the Peak Detectors is provided by the Common-Mode Adjust circuits (discussed later).

Peak detect mode for ENVELOPE acquisitions is turned on by setting PD LO at pin 21 and SLOW/FAST HI at pin 22 of Peak Detector U440. The differential ECL peak-detector clock signals (PD1 and PD2) toggle under control of the Phase Clock Array (U470, fig. FO-19) to control the internal peak detector switching and multi-

plexing of the positive and negative peaks to the OUT1 and OUT3 stages. The table in Figure 3-4 shows timing of the peak detector clocks and illustrates how alternate peaks are applied to the SIG1 and SIG3 inputs of the CCD.

DC offsets between the internal peak detectors of U440 are nulled out by voltage levels applied from the DAC MUX 3 SAMPLE AND HOLD (fig. FO-13) to pins 27 and 34. Bias current for the input stage of U440 is set by R430 on pin 47, and output stage bias is set by R440 on pin 32.

The + CH1 CAL and - CH1 CAL inputs at pins 8 and 10 are identical to the signal inputs, but they are used only for the application of test signals during calibration or diagnostic testing. Selection of the inputs is controlled by the CAL/SIG signal. The test signals applied to pins 8 and 10 from the System DAC are used for testing and calibrating the Peak Detectors, the CCD/Clock Drivers, the CCD Output circuits, and the A/D Converter.

## Common-Mode Adjust

The Common-Mode Adjust circuits (U540A and B, Q540, Q640, and associated components) allow varying, under control of the System Processor, the common-mode voltage levels at the output of the CH 1 Peak Detector. (Similar circuitry performs the same task for the CH 2 Peak Detector.) Adjusting these DC levels changes the gain of the CCD and is done during self-calibration to control the overall gain of the Peak Detector-CCD subsystem. The CH 1 -OUT1 Common-Mode Adjust circuit is described; the remaining Common-Mode Adjust circuits operate identically.

The OUT1 + and OUT1-common voltage is level shifted and attenuated, then applied to U540A pin 3. Operational amplifier U540A compares the common-mode level with the attenuated CM11 level from the System DAC. The output of U540A drives Q640 to supply more or less current to the collector circuit thus raising or lowering the voltage on pin 25 of U440. Common-mode current is drawn by pins 26 and 28 via R540C and R450D to complete the feedback loop to the operational amplifier. Additional current is drawn by VCC1 (pin 25), part of which is supplied via R651 to reduce the stress on Q640. Emitter resistor R647 provides protection to Q640 against excessive current demand in the event of a short or overload. Resistors R647 and R651 also limit the voltage gain of Q640 to stabilize the feedback loop of the Common-Mode Adjust circuit.

## Charge-Coupled Devices (CCD)

The CCD portion of the CH1 and CH2 CCD/Clock Driver hybrids are MOS-type integrated circuits that function as very fast analog shift registers. A signal applied to the input is sampled by being converted to charge packets. These charge packets are then shifted through the CCD registers by MOS-circuit gating at



intervals determined by the clock rates applied by the Clock Driver integrated circuit portion of the hybrid. The internal arrangement of the CCD analog shift registers and the total amount of storage space permits the input signal to be sampled at a high clock rate when necessary for the higher frequency signals. The charge packet samples are temporarily stored and then shifted out of the CCD at a much slower rate than the sampling rate. This type of operation is called Fast-In-Slow-Out (FISO) and is used at SEC/DIV settings of 50 ms and faster. At SEC/DIV settings of 100 ms and slower, the CCD runs with a constant clock rate of 500 kHz in a mode called Short Pipeline (discussed later).

A simplified diagram of one-half of one CCD is shown in Figure 3-5. The half shown, the SIG1 side or Side 1, is nearly identical to the SIG3 side (Side 3) of the CCD. Each side provides temporary storage of 528 analog samples for a total storage of 1056 samples of a single channel. The extra samples above that needed for the 1024-byte waveform record are needed for proper clock switching between the Fast-In and Slow-Out portions of the FISO cycle. The CCD has a Serial-Parallel-Serial (S-P-S) architecture. Each side has a 16 sample serial input 'A' register, a 16 x 33 sample parallel storage "B" register, and a 16-sample serial output "C" register. Two such SPS sections are shown in Figure 3-5.

All the registers require four-phase gate clocking to move the sample charge packets through the CCD. Hence, there are four "A" register clocks, four "B" register clocks, and four "C" register clocks. There is also a Transfer In (TI) clock to shift samples from the serial A register into the B register and a Transfer Out (TO) clock to move them from the B register to the C register. The  $\overline{\text{RESET}}$  clock discharges the output wells between output sample intervals so that charge does not accumulate at the input to the source-follower output amplifier. The SAM1 Sample clock samples the analog input signal at the side one inputs. Sampling occurs on the falling edge of SAM1, and the charge packet representing the instantaneous analog signal value is initially formed under the first "1A" gate (the first gate that is driven by the A register Phase 1 clock).

An extra input gate is added to Side 3, the other side of the CH 1 CCD (not shown in fig. 3-5) to accept the Side 3 charge packets and permit their movement through the CCD to be synchronized with the Side 1 samples. The SAM3 Sample clock (opposite in polarity to the SAM1 Sample clock) performs the sampling function of the SIG3 signal. This sampling scheme doubles the effective sample rate of the CCD. Thus, the 100 megasample per second sampling rate is achieved with 50 MHz "A" register clocks. All register gates are driven with bipolar square-wave signals of + 5 V to -5 V. The  $\overline{\text{RESET}}$  clock signal also switches between + 5 V and -5 V, but it is HI for only 200 ns of the total 2  $\mu$  period.

In FISO mode, 16 samples are shifted down the serial input A register at a clock period equal to 0.04 times the SEC/DIV setting. On every sixteenth clock cycle, the positive 02A clock pulse is replaced by a single positive pulse that moves all the charge packets into a transfer-in register at the head of the B register. The A register is then empty and ready to accept new serial-in samples. The B register clocks run at 1/16 the speed of the A register clock rate so that the A register will be filled prior to each B register clock. In this way, the B register is filled with samples that are moved in parallel through the CCD. During this Fast-in portion of the input cycle, unneeded charges that arrive at the output C register due to the way that the input signal is continually sampled (until a trigger occurs) are emptied from the CCD through the output diffusion (OD1). When the Time Base Controller determines that the proper number of samples have been stored in the CCD after the trigger occurs, the mode changes to Slow-Out. The C register and RESET clocks then toggle at a constant 500 kHz rate to shift samples out of the CCD to be digitized.

The Short Pipe mode of the CCD is in effect at SEC/DIV settings of 100 ps and slower. The CCD is operated at a continuous 500 kHz rate. Samples are shifted serially through the CCD via one B register channel only. The TI clock toggles continuously to move the sample charge packets from the first A register position into the active B register channel, shown in Figure 3-5 as the Short-Pipe (slow-in, slow-out) path.

The output diffusions for sides 1 and 3 (OD1 and OD3) are independently driven from the System DAC. Varying the voltages on these nodes varies the gain of the CCD. These adjustments are used in conjunction with the Common-Mode Adjustments to calibrate the gains of the Peak Detector and CCD/Clock Driver subsystem. Gain increases with increasing OD voltage and decreasing Common-mode voltage; therefore, the calibration firmware moves these voltages in opposite directions to effect calibration.

## Clock Drivers

The Clock Driver integrated circuits internal to the CH1 and CH2 CCD/Clock Driver hybrids develop the four "A" register clocks, the four "B" register clocks, the two sample clocks, and the transfer input (TI) clock for the CCD. The high-speed Sample A Register and TI drivers are differential class A drivers through thick-film load resistors on the hybrid. The B Register drivers are slower with active pull-up and pull-down totem-pole outputs similar to conventional TTL driver outputs.

The 1A and 3A high-speed clocks are accessible at probe pins 21 and 20 of the hybrid devices. These pins (P1A and P3A) are isolated from the actual CCD gates by internal 875  $\Omega$  series resistors. Terminate the signals into

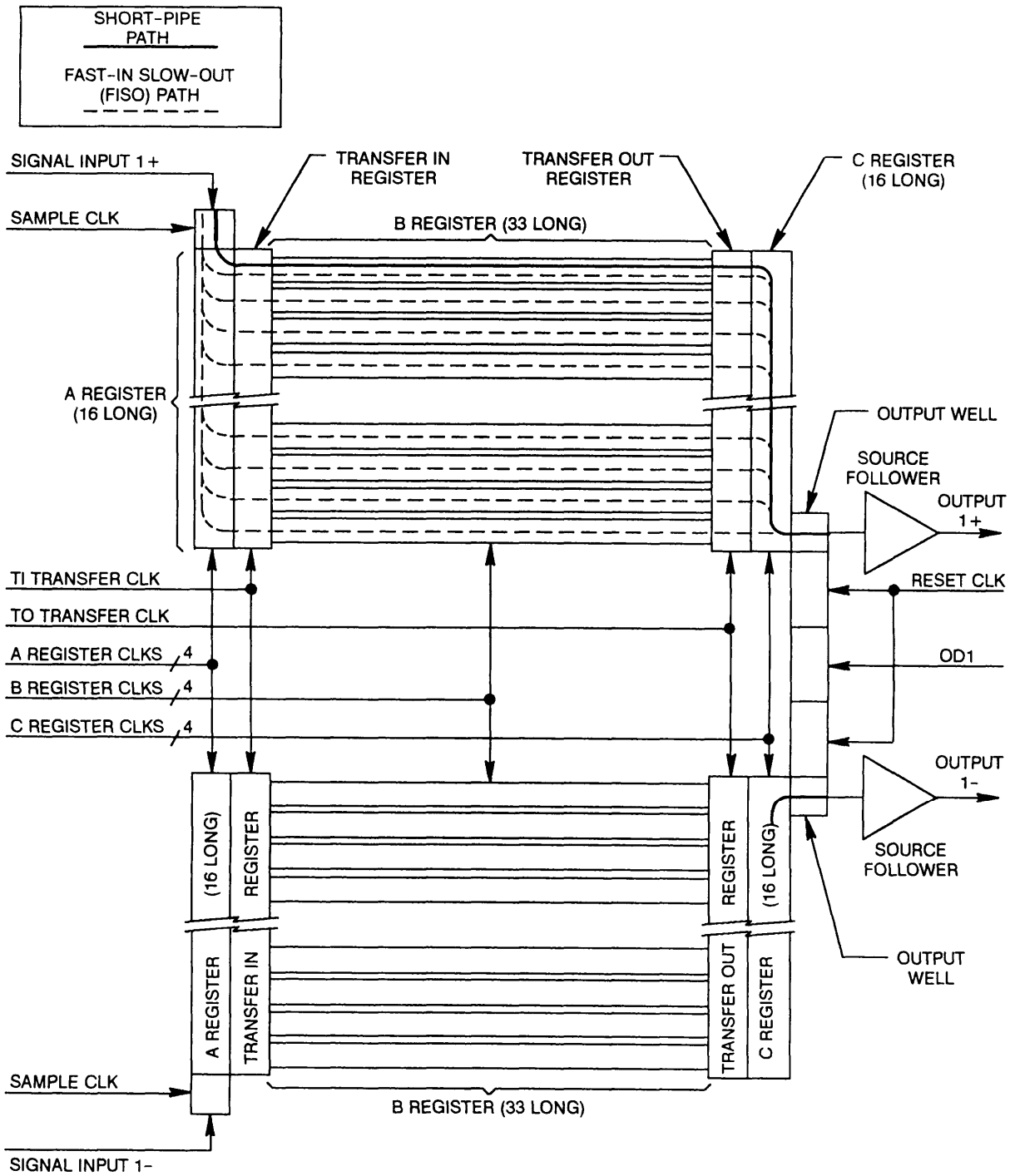


Figure 3-5. Simplified CCD architecture.

50  $\Omega$  to view them. Using the standard 10 M $\Omega$  probe will cause the signals to have a displayed rise time of about 30 ns; the actual rise time internally is about 2 ns.

The CH1 CCD bias current for the high-speed drivers is set by the feedback circuit of U360A and Q375. The drivers are biased by injecting current into the IS input (pin 29). Increasing the current makes the LO level of the high-speed clocks more negative; decreasing the current raises the LO level. The HI level of the clocks is always within a few hundred millivolts of the +5 V supply to the hybrid. For controlling the negative clock level, the common-mode level of the 1A and 3A clocks at the P1A and P3A outputs is applied to the input of U360A. This level is compared to the midpoint between the +5 V and -5 V supplies. Operational amplifier U360A drives the base of Q375 to a level such that the current injected into IS sets the common-mode level of P1A and P3A equal to the voltage at pin 5 of U360A (the voltage supply midpoint value). Since the HI clock levels at P1A and P3A are approximately at the +5 V supply level, the LO levels of the clocks then are set to approximately the -5 V supply level. Bias stability is thereby maintained over temperature and component variations.

Each Clock Driver integrated circuit has only two B register drivers. Therefore, the B register drive task is shared between the two CCD/Clock Driver hybrids. The Clock Drivers in U450 drive the 1B and 3B gates of both CCDs, and the ones in U350 drive the 2B and 4B gates of both CCDs (see fig. FO-18). The Transfer Out (TO) gate timing has to match the 4B gate timing; therefore, the TO gate inputs of each CCD are tied to the 4B gate signal through R345.

Since the B register drivers have totem-pole outputs with emitter-followers for pull-ups, their HI state outputs are reduced from the +5 V supply by approximately 1 V. Resistors R466, R465, R366, and R365 reduce the transient current flow into the B register gates when the B drivers change state.

Resistor array R470 provides proper termination for the ECL logic inputs to the CH 1 Clock Drivers.

**“C” CLOCK DRIVERS.** These are external clock drivers consisting of Q450, Q550, Q460, Q560, and associated components. They provide the necessary -5 V to +5 V clock swings for the CCD “C” register gates. Each driver is simply an inverting buffer which accepts TTL inputs from the Phase Clock Array. During the Fast-in portion of the FISO acquisition cycle, the outputs of all four drivers are held HI by the Phase Clock Array. During the Slow-Out portion of the cycle, and at SEC/DIV settings of 100  $\mu$ s and slower, the C Clock Drivers toggle at a 500 kHz rate in the normal four-phase sequence.

**RESET DRIVER.** This driver consisting of Q551 is identical to the C Clock Driver states. It takes the RESET signal input from U731C in the System Clocks circuitry (fig. FO-15). Like the C Clock Drivers, the Reset Driver is driven HI during Fast-in and toggles at other times. The Reset Driver output is held HI for only 200 ns of the 2  $\mu$ s clock period.

### -2 V Supply

A -2 V supply needed to terminate all of the high-speed ECL signals on the Main circuit board is formed by U580B and Q580. The circuit is a simple series-pass regulator with R585 and R586 developing the -2 V reference for operational amplifier U580B from the -5 V supply. Feedback is through R587. Collector load resistors R486, R487, and R488 limit the power dissipation of Q580 and protect it from possible short circuits of the -2 V supply.

## TRIGGERS AND PHASE CLOCKS

In this scope, the acquisition system continuously acquires input samples. When the user-specified number of “pretrigger” samples have been moved into the CCDs, the trigger system is allowed to recognize trigger events. Sampling of the signal input to the CCDs continues (with new samples pushing out old samples) until a trigger occurs. After the trigger, the number of “post-trigger” samples needed to fill the waveform record are moved into the CCDs and sampling is stopped. The acquired samples are then moved out of the CCDs, digitized, stored to memory, and displayed. The acquisition system then begins again to fill the “pretrigger window” for the next acquisition; and, when that has been done, the trigger system is enabled to look for the next trigger event.

The trigger circuits (fig. FO-19) detect when the user-defined triggering conditions are met and then allow the acquisition to be completed. When the triggering signal limits defined by the user for slope, level, and variable holdoff are detected by the A/B Trigger Generator, the resulting trigger output is applied to Trigger Logic Array U370, where triggering conditions of delay mode, delay time or delay events count, and optional trigger sources are taken into consideration. The Trigger Logic Array outputs several trigger-recognition and acquisition-control signals that cause the acquisition system to finish the “post-trigger” portion of the acquisition.

The Phase Locked Loop and CCD Phase Clock Generator circuits (fig. FO-19) control sampling and shifting operations of the CCD/Clock Drivers. The Phase Locked Loop synthesizes the 200/250 MHz sample clock driving the Phase Clock Array. The Phase Clock Array uses this “master” clock to generate other CCD clocks in accordance with mode data written to it from the System Processor.

## A/B Trigger Generator

The A/B Trigger Generator circuit, composed Of U150 and associated components, provides for selection and analog-type trigger detection from five input signals for each of the A and B triggers. These are the CH 1 and CH 2 vertical inputs, the EXT 1 and EXT 2 trigger inputs, and the line-trigger input (A trigger only). Two multiplexer internal to U150 select one of these signals as the trigger source for A Trigger and one (excluding the LINE signal) for B Trigger. Source selection depends on the states of the SR0A, SR1A, and  $\overline{SR2A}$  (source select – A trigger) lines for the A Trigger and on SR0B, SR1B, and  $\overline{SR2B}$  for B Trigger. The appropriate select bits are written into register U140 by the System Processor whenever the operator makes a triggering condition change using the trigger source menus.

Control data from the System Processor defining trigger mode, trigger coupling, and trigger slope are clocked serially (one bit at a time) from the CD (control data) line into two storage registers internal to U150. Clocking the CCM (control clock A) line moves the setup data to the A control register, while clocking CCD moves data to the B control register. When the control data has been loaded, each trigger circuit begins comparing its selected input signal to the user-defined trigger level for that trigger channel.

When the defined triggering criteria are met for either A or B, the associated trigger outputs (TGM,  $\overline{TGM}$  for A Trigger; TGD,  $\overline{TGD}$  for B Trigger) will go to their asserted (true) states. The exception is when the A Trigger holdoff has not finished (ATHO is still HI), When the holdoff ends, however, the next trigger event on the selected A Trigger input will assert the A Trigger output gates.

Each differential trigger gate is inverted and current buffered by a pair of differential transistors that allow quick response to the trigger edges by Trigger Logic Array U370.

## Trigger Logic Array

The Trigger Logic Array circuit consists primarily of Trigger Logic Array U370, The Trigger Logic Array provides final trigger-source selection; trigger-point delays, delayed either by a specified amount of time or by a specified number of events; and ramp-control signals to the Jitter-Correction Ramps circuitry for resolving trigger-point ambiguities. The Trigger Logic Array also produces the trigger and external clock signals necessary to control operations of the CCD Phase Clock Generator circuit.

The three enable inputs to U370, E1B (A3), E2B (WR), and E3B (ACQSEL), are all set LO whenever writing to

addresses between 6080h and 6087h to enable the address inputs (A0, A1, and A2). The choice of eight addresses between 6080h and 6087h provides for different operating requirements of the Trigger Logic Array.

Depending on the address written to, one of the following actions may occur:

- a. Mode control data may be loaded into the internal mode register.
- b. The internal events and delay counter low-byte or high-byte of the number of events to be counted or delay may be loaded.
- c. Various strobes used for internal control of the Trigger Logic Array may be generated.

Table 3-5 shows the action taken for each address selected.

**Table 3-5**  
**Trigger Logic Array Addresses**  
**(6080h-6087h)**

Address Bits			Circuit Operation Initiated
A2	A1	A0	
0	0	0	Restart Acquisition
0	0	1	Force Manual Trigger
0	1	0	Load Mode Control Data from M0-M7
0	1	1	Latch Delay Counter Low-Byte from M0-M7
1	0	0	Latch Delay Counter High-Byte from M0-M7
1	0	1	Load Delay Counter from Delay Latches
1	1	0	Not Used
1	1	1	Reset All Latches

As previously mentioned, U370 provides final trigger-mode and source selection, dependent on data written from the System Processor to a control register within U370 at address 6082h. The mode control data byte loaded from the M0-M7 input bus is built by the System Processor and applied to the M0-M7 (mode) inputs from serial-input register U270 (fig. FO-12) via the GAD0-GAD7 bus lines. The data byte defines the A Trigger source, B Trigger source, Record Trigger source, Jitter Trigger source, and whether a single event or multiple events are needed to produce a trigger. Bit definition is shown in Figure 3-6.

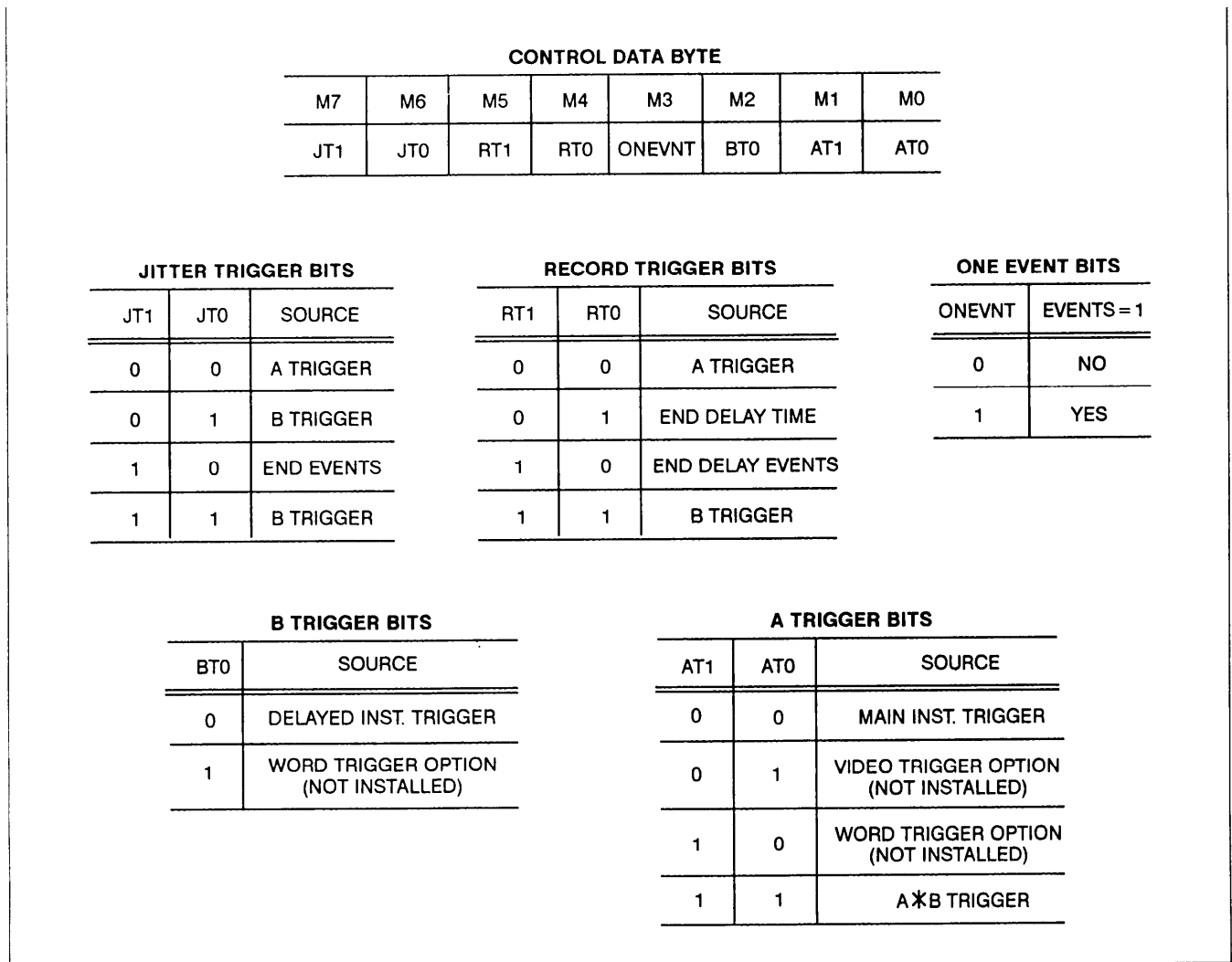


Figure 3-6. Trigger Logic Array Control Data Byte.

After the control data byte is loaded and the acquisition is restarted, Trigger Logic Array U370 waits for EPTHO (end of pretrigger holdoff) to go HI at pin 28, indicating that the acquisition system has sampled the pretrigger points and is ready to complete the acquisition. With EPTHO set HI, the trigger logic begins watching the trigger source (as defined by the control data byte), waiting for a trigger event to occur.

Operation of the Trigger Logic Array is very sequential in the way it functions in the various trigger modes. An example is illustrated in the sequence of events for B RUNS AFTER trigger mode.

1. The System Processor loads the "delay count" and "control mode" registers, then starts the acquisition (indicated by setting RSTACQ HI at TP370).

2. The Trigger Logic Array watches for EPTHO at pin 28 to go HI; signaling that the defined number of pretrigger points have been sampled.
3. With EPTHO HI, the Trigger Logic Array watches MTG and MTG (main trigger gate) for an A trigger event to start the delay counter. When a trigger occurs, JTRIG (jitter trigger) is generated, starting the jitter-correction circuits (via the RAMP and RAMP signals).
4. The defined delay count is decremented to zero by the DELCLK (delay clock) signal on pin 67 from Phase Clock Array U470. If the mode were A Delayed by B Events, the B Trigger events would be used to decrement the delay counter.

5. In this example, when the internal Delay count reaches 0, an R TRIG OUT (record trigger) is generated for B RUNS AFTER. R TRIG OUT is the "record trigger" point on the displayed waveform. If the mode were B TRIG AFTER, the Trigger Logic Array would begin watching for a B Trigger to occur on the DTG and DTG input pins (Delay Trigger Gate).
6. Time Base Controller U670 (fig. FO-16) counts the post-trigger samples as they are acquired. When the required count is reached to complete the acquisition, it resets EPTHO to LO and further triggers from the Trigger Logic Array are prevented from being generated.

The Time Base Controller then starts moving digitized samples to the Acquisition Memory and, when finished, tells the System Processor that the acquisition is done. The System Processor may then restart the whole process again for the next acquisition by writing appropriate data to the various trigger registers.

In external clock mode, the differential EXTCK and EXTCK (external clock) signals to the CCC Phase Clock Generator circuit replace the normal master-clock (MCLK) signal and allows the B trigger events to be used as the events delay source.

The  $\overline{A\ TRIG}$  and  $\overline{R\ TRIG}$  outputs from Q287 and Q288 are TTL-buffered versions of the corresponding trigger signals and are routed to rear-panel BNC connectors.

### Phase Locked Loop

The Phase Locked Loop circuit synthesizes the 200/250 MHz clock used by the Acquisition System. It consists of Phase/Frequency Detector U381, amplifier U580A, a voltage-tuned tank circuit, and a divide-by-50 counter internal to Phase Clock Array U470. The tank-circuit resonant frequency is set by the value of voltage-controlled capacitor CR580. The resulting clock is divided by 50 by the counter and is applied to the phase-frequency detector U381 on the FIV4 line. The FIV4 signal is compared to the reference clock REF4/5, and any phase or frequency error appears at the output of U381 as variable width pulses. These pulses are integrated by U580A to produce a DC voltage that represents the phase difference (fast or slow) and magnitude of error between the REF4/5 clock and the divided down master clock. This is the frequency-control voltage and varies the capacitance of varactor diode CR580, part of the tank circuit formed by the circuit board delay line and CR580. The tank is tuned by the control voltage so that the master clock frequency is precisely 50 times the reference frequency. Depending on the user-defined sweep rate and acquisition mode, the reference (REF4/5) will be either 4 MHz or 5 MHz, resulting in a 200 MHz or 250 MHz master clock (see Table 3-6).

**Table 3-6**  
**REF4/5 Frequency for Each SEC/DIV Setting**

SEC/DIV Setting	REF4/5 Frequency	Phase Clock Array Clock Frequency
EXT CLK	Don't Care	EXT CLK
500 ns and faster	4 MHz	200 MHz
1 $\mu$ s	4MHz	200 MHz
2 $\mu$ s	5 MHz	250 MHz
5 $\mu$ s	4MHz	200 MHz
10 $\mu$ s	5MHz	250 MHz
20 $\mu$ s	5MHz	250 MHz
50 $\mu$ s	Don't Care	1 MHz
100 $\mu$ s	Don't Care	1 MHz

### CCD Phase Clock Generator

The CCD Phase Clock Generator generates properly phased and frequency-related clocks that control most of the Acquisition system. These functions include moving samples into the CCDs, shifting within the CCDs, jitter-correction control, peak-detection control, and trigger-delay clock generation. These clocks are derived from the 200/250 MHz master clock generated by the internal oscillator and the Phase Locked Loop circuit.

Two operating modes exist for the CCDs; FISO (fast-in, slow-out) and Short-Pipe. The CCD Phase Clock Generator is set up to generate proper clocking signals for either mode by loading data into Gate Array Control Register U270 (fig. FO-12). This data is applied to U470 on the CC0-CC3 (chip control 0-3) lines and on the PD<sub>OFF</sub> (peak detector off) line. The PD<sub>OFF</sub> line enables/disables the peak-detector output lines (PD1, PD1, PD2, and PD2) and thus peak detection mode (see that description). The CCO-CC3 inputs control operating mode and clock selection as shown in Table 3-7.

**FISO MODE.** As explained in the CCD description, each CCD is made up of two identical differential channels using a serial-parallel-serial (SPS) structure. Samples are moved into and shifted within the CCD using properly phased, overlapping clocks. Figure 3-5 shows a basic CCD structure (see CCD description, fig. FO-18).

Depending on whether the Side 1 channel or Side 3 channel is being acquired, the corresponding sample gate will go Hi. This moves the present level of the input signal into the input well of the CCD. Before the sample gate returns LO, the 01A (phase 1-A register) clock goes HI and the charge is shared by the adjacent cells (input and 01). When the sample gate returns LO, all charge moves to the 01 cell. The 02A clock then goes HI and

charge is distributed into both the 01 and 02 cells. When 01 returns LO, all charge will move into the 02 cell. Similar shifts occur using the 03A and 04A clocks until 01 occurs again, completing the cycle.

**Table 3-7**  
**Phase Clock Array Control Lines (CC3 through CC0)**

SEC/DIV Setting	Control Bits				Mode
	CC3	CC2	CC1	CC0	
EXT CLK	0	0	0	0	
500 ns and faster	0	1	0	0	FISO
1 $\mu$ s	0	1	1	0	FISO
2 $\mu$ s	1	0	0	0	FISO
5 $\mu$ s	1	0	1	0	FISO
10 $\mu$ s	1	1	0	0	FISO
20 $\mu$ s	1	1	1	0	FISO
50 $\mu$ s	x	x	0	1	FISO (Short-Pipe)
100 $\mu$ s and slower	x	x	1	1	Short-Pipe

When 16 samples have been acquired in the A register, the TI (transfer into B) clock moves all 16 samples from the 01A cells in parallel into the B register. The four phases of the B clocks shift samples down the 16 parallel B registers in a manner similar to that just described for the A register but at 1/16th the rate. The TTL1B clock (TTL-version of B clock 01) is output to the Time Base Controller and allows it to keep track of how many samples have been acquired (in multiples of 32). This allows the Time Base Controller to know when the proper number of pretrigger points have been acquired and when to enable the Trigger Logic Array.

Once enabled, the Trigger Logic Array begins counting its predefined delay while samples continue to be acquired. The DELCLK (delay clock) output to the Trigger Logic Array runs at one-half the sample-clock rate, allowing the Trigger Logic Array to complete any defined delay. When delay is done, the JTRIG and RTRIG signals may be generated. When the JTRIG occurs, the RAMP and RAMP signals from the Trigger Logic Array start the Jitter-Correction Ramps. The JTRIG signal to U470 causes the TLO (trigger location-bit 0) bit to latch the phase (HI or LO) of the master clock, defining which half of the cycle the trigger event occurred. The internal slow-ramp logic circuitry of U470 becomes enabled and, on the next two edges of the master clock, asserts the two pairs of slow-ramp (SLRMP) outputs. These outputs reverse the charge direction of the Jitter-Correction

Ramp (fig. FO-20) and start the RAMP1 and RAMP2 Jitter Counters (fig. FO-21) on opposite edges of the master clock. See those descriptions for further information on trigger-jitter correction.

Depending on trigger mode, the RTRIG (record trigger) line will be asserted some time after JTRIG occurs. RTRIG is synchronized to the B-register clock and is output to the Time Base Controller on the SYNTRIG (synchronous trigger) line, telling it to start counting post-trigger samples. The RTRIG also loads a register internal to U470 with the present sample count to locate the trigger event (explained later). When the Time Base Controller has completed the post-trigger count, it will set SO (slow out) HI, switching the Phase Clock Array mode from "Fast In" to "Slow Out" mode. The various phase clocks are now derived from the 1 MHz 2XPC clock (from the Time Base Controller) instead of the 200/250 MHz master clock, and samples are shifted out of the CCD at the A/D conversion rate.

Outputs TL0-TL4 (trigger location bits 0 through 4) define the trigger location within  $\pm 1/2$  of a sample interval and allow the extra samples taken at the beginning and end of the CCD sample array contents to be discarded. Defining and discarding these samples is done because the trigger event may occur at any of 32 locations within the two A registers. Outputs TL1-TL4 locate the trigger at one of these 32 sample positions, allowing samples before the start of the waveform to be discarded. Output TL0 defines trigger position within the sample interval to either half of the interval (phase 1 side or phase 3 side) by sampling the phase of the master clock when the trigger occurred.

**SHORT-PIPE MODE.** A second acquisition mode, Short-Pipe mode, is used at SEC/DIV settings 100  $\mu$ s/div and slower. In Short-Pipe mode, the 02A clock that transfers samples down the input (A) register is disabled; and instead, the TI (transfer into B array) clock shifts samples straight down the first register of the B array to the output well. Sampling occurs at 1 MHz in Short-Pipe mode (500 kHz each side of the CCD) as the various phase clocks are derived from the 2XPC clock. Trigger delays are generated at the SDC (slow-delay clock) rate since Short-Pipe mode connects the DELCLK output to the SDC input. Since sampling is occurring at a 1 MHz rate and the SEC/DIV is set so that a sample rate slower than this is required, some of the samples must be discarded. The discrepancy is resolved by the Time Base Controller by counting and discarding the proper number of samples between those it allows to be saved. This allows effective sample rates much lower than the actual 1 MHz rate and, by routing the SDC signal to DELCLK, allows the trigger delays to be counted in terms of effective sample events.

In FISO mode, the TTL1B (TTL-level phase 1B) signal runs at 1/16 of the A-register clock rate and is used by the Time Base Controller to keep track of how many FISO

samples have been taken. Each  $\overline{\text{TTL1 B}}$  clock indicates that 16 sample intervals have occurred. In Short-Pipe mode, the  $\overline{\text{TTL1 B}}$  clock runs at the A-register clock rate. By using the  $\overline{\text{TTL1 B}}$  count and the TL0-TL4 data, the Time Base Controller (U670, fig. FO-16) can precisely determine when the acquisition is finished.

TTL4C is a TTL version of the phase 4 clock for the C (output) register and runs at all times except during RESET. This is one of the signals required by the System Clock Generators for producing correctly timed Output Sample Clocks to the CCD Output circuitry (fig. FO-22) and the  $\overline{\text{RESET}}$  clock to the CCD.

## JITTER CORRECTION RAMPS

The Jitter Correction Ramps located on fig. FO-20 are a portion of two dual-ramp timing circuits used to detect and measure the time difference between a trigger event and the sample clock. This information is needed when doing acquisitions at SEC/DIV settings greater than 500 ns to correctly place the data points obtained on different trigger events. The Ramp1 and Ramp2 Jitter Counters are located on fig. FO-21.

### Ramp1 and Ramp2

Operation of the RAMP1 and RAMP2 circuits are identical; therefore, only the RAMP1 circuit will be described. Both ramps are initiated by the same trigger event, but they are switched to their slow-discharge mode on opposite edges of the sample clock. By switching on opposite edges, the trigger point has two distinct references which define the trigger point, allowing the System Processor to detect and correct for metastable states of the trigger recognition logic.

The ramp generator consists of a constant current source used to rapidly charge an integration capacitor when the trigger event occurs and a second current source used to discharge the capacitor (more slowly) after the proper edge of the sample clock occurs. The fast-charge time is the actual time from the trigger event to the appropriate sample-clock edge. The time it takes the slow-discharge mode to discharge C491 gives a numerical representation (count) of how high the ramp level reached when C491 was fast charging; and therefore, the time of the fast ramp.

Fast charging rate is determined by the constant current source formed by U590A, Q493, and associated components. The charging current is nominally 20 mA through R590 and Q493. The voltage drop across R590 balances the + 7.5 V reference at pin 2 of U590A and keeps Q493 turned on just enough to maintain the balance at the operational amplifier inputs.

This charge current is switched through either Q491 or Q492, depending on whether the ramp should be ramping down slowly or ramping up quickly. When waiting for a trigger to occur, the SLRMP1 (slow-ramp 1) will be LO, turning Q491 on. Charging current from Q491, which would normally charge integration capacitor C491 (and the 50 pF circuit-board capacitor), is shunted to -5 V by Q490, which is turned on by a HI RAMP (fast ramp) signal applied to its base.

**RAMP CLAMPING.** The clamping circuit made up of U590B, CR490, and associated components holds the ramp summing-node voltage (collector of Q490) at 0 V while the circuit is waiting for a trigger to occur (signaled when RAMP and  $\overline{\text{RAMP}}$  go to their true states). The summing-node voltage is applied to U590B on pin 6 where it is compared to the 0 V clamp level (ground) on pin 5. When the summing node attempts to go below ground while Q490 is on, U590B will conduct more to maintain the balance at the input pins, thereby clamping the summing node at 0 V via R592 and CR490.

Transistor Q380 and its associated components clamp the positive peaks of both ramps at + 3.2 V via CR491. This clamping takes place at SEC/DIV settings slower than 500 ns/div because the SLRMP signal doesn't occur soon enough after the RAMP signal starts the ramp to reverse the ramp slope before the + 3.2 V level is reached.

**RAMP SWITCHING.** When Trigger Logic Array U370 (fig. FO-20) detects that a trigger event has occurred, it sets the RAMP and  $\overline{\text{RAMP}}$  signals to their active (true) states. The LO  $\overline{\text{RAMP}}$  signal turns Q490 off to allow the integration capacitor to begin a fast charge, and the HI RAMP signal turns Q392 on to reverse bias CR490 and remove the clamp circuit from the summing node.

The charging current now linearly charges C491 and the circuit board capacitance positive (holding STOP1 LO through U490) until the proper edge of the next sample clock occurs (see fig. 3-7). This switches the SLRMP1 and  $\overline{\text{SLRMP1}}$  signals to their true states, turning off Q491 and turning Q492 on.

With Q492 on, the charging current is routed through R497, producing a HI START1 signal and enabling the RAMP1 Jitter Counter circuit (fig. FO-21). Since Q491 is now off, C491 begins the slow-ramp discharge through Q495 and R493. When the voltage held on C491 crosses the switching threshold of U490, STOP1 is switched HI to turn off the RAMP1 Jitter Counter at the proper count.

At the time of calibration, the JIT1 GAIN (jitter gain-ramp 1) value is set to the base of the discharge current source transistor, Q495, so that the ratio between charging rate and discharging rate is 1250:1 (approximately 20 mA from the charging current source to approximately 16  $\mu$ A discharge current from Q495). The slow discharge time of C491 allows the RAMP1 Jitter Counter to convert



the peak amplitude of RAMP1 (dependent on the time that C491 was allowed to fast charge) into a count relating trigger-event position to the sample-clock edge.

After the Jitter Counter has been read, the RAMP, RAMP, SLRMP1, and SLRMP1 signals will be reset to their inactive states. This again clamps the summing-node voltage at 0 V and reapplies the charging current to the node in preparation for the next trigger event.

**RAMP2.** As mentioned earlier, the RAMP2 circuit is running simultaneously, referenced to the opposite edge of the sample clock. RAMP2 produces a count defining the trigger point relative to the opposite edge of the sample clock. Since both ramps have a possibility of an

error in their slow-ramp starting times (due to metastable switching of the SLRMP1 and SLRMP2 signals) there will always be a chance of error present in the trigger-position count. The count from both ramps is checked, and the value closest to the nominal midrange count will be used by the System Processor when placing the repetitively sampled data points. If both counts are in error, that acquisition is discarded.

### TRIGGER HOLDOFF, JITTER COUNTERS, AND CALIBRATOR

Circuitry shown in fig. FO-21 performs a variety of functions.

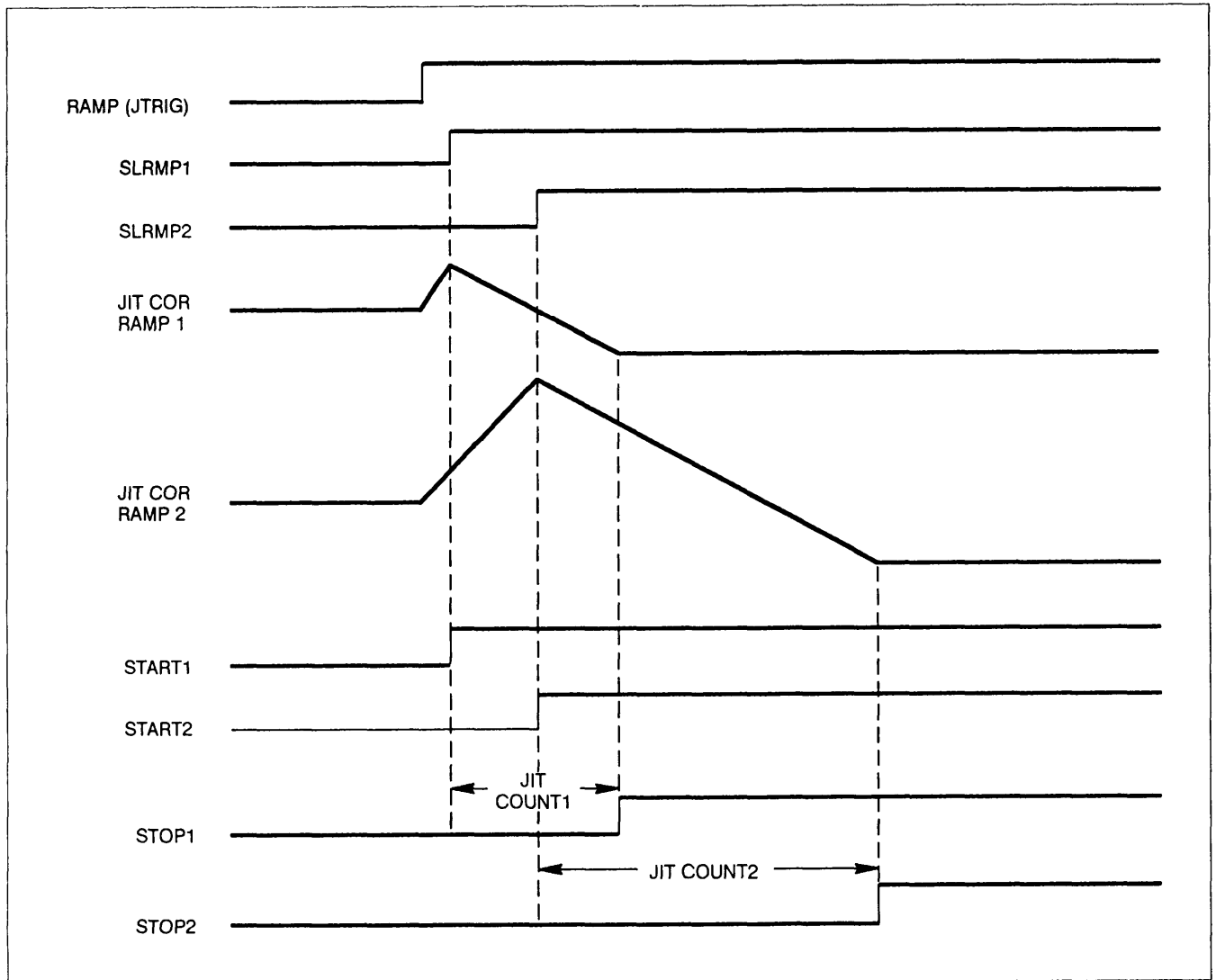


Figure 3-7. Jitter correction waveforms.

The Trigger Holdoff circuits allow a delay to occur between the occurrence of a triggering event and when the A/B Trigger Generator is allowed to recognize another trigger event. Variable Holdoff can help the user prevent double triggering on aperiodic signals (such as complex digital words).

The RAMP1 and RAMP2 Jitter Counters measure the time difference between the asynchronous trigger event and the actual sampling point of the waveform data. That information is needed by the System Processor to place the random samples taken in REPET acquisition mode correctly with respect to data points taken in the previous acquisitions to fill the waveform record.

The Calibrator circuit generates a square-wave output having precise amplitude and frequency characteristics. The CALIBRATOR signal provided at the front-panel connector is useful for adjusting probe compensation and verifying VOLTS/DIV and SEC/DIV calibration.

The Side Board Address Decoder included in the circuitry is used by the System Processor to enable the appropriate register or buffer on the Side board to read the Jitter Counters, select the Holdoff Time, and communicate with the Front Panel Processor.

**A Trig Holdoff**

The A Trigger Holdoff circuit consists of a trigger-enabled, constant current source (actually one of three selectable sources added to a small permanent source) used to linearly charge a capacitor (one-of-two selectable values). The resulting integrator output is a linear ramp whose slope depends on the current-source and integration-capacitor selection. The ramp is applied to the Holdoff Comparator where it is compared to the user-definable (front-panel pot) holdoff-reference level. When the charging ramp crosses that level, the ramp rapidly discharges (resets) and ends the holdoff condition.

**Holdoff Select.** The Holdoff Select circuit, under System Processor control, determines which of the Holdoff Current Sources and which of the integration

capacitors will be used to produce the holdoff ramp. Its outputs are set by the processor by writing data into Holdoff Register U762, residing at address 620Ch. Output bits HO0 through HO2 (holdoff control bits 0-2) enable their corresponding current-source transistor when HI. Bit HO3 is used for selection of the integration capacitor. The  $\overline{\text{FPRESET}}$  bit allows the System Processor to reset the Front Panel Processor (fig. FO-8).

Buffer U761, residing at read location 602Ch, allows the System Processor to check the holdoff circuit setup and to monitor the status of the A Trigger (ATG) and trigger holdoff (ATHO) bits.

**Holdoff Current Sources.** The Holdoff Current Sources provide the constant currents used to charge the integration capacitors (producing a linear ramp). The circuit consists of four transistor current sources, three of which may be turned on or off under control of the Holdoff Select circuit.

The bases of the four current-source transistors, Q761, Q771, Q772, and Q773, are held one diode-drop below + 5 V by CR772 and R773. This results in precisely + 5 V being present on the emitter of any conducting current-source transistor. The amount of current is set by the value of emitter resistor(s). Transistor Q773 will always be on while the other three current-source transistors can be turned on or off by the HO control bit via the the associated emitter diodes. A LO at the cathode of one of these diodes will disable the associated current source by reverse biasing the transistor junction; a HI at the cathode of a diode enables the charging-current source via the associated emitter resistor.

**Charging Capacitor Selection.** The Charging Capacitor Selection circuit composed of Q783, Q782, and associated components, selects the integrating capacitance. The magnitude of the charging current from the selected current source, in combination with the capacitance value, of the integration capacitor, determines charge rate (slope) of the holdoff ramp; and thereby, the holdoff time. Table 3-8 illustrates the holdoff time as a function of the selected current source and charging capacitor.

**Table 3-8**  
**Holdoff Delay Range for Current Source vs Charging Capacitor Combinations**

Charging Capacitor	Holdoff Delay Range			
	909 $\mu\text{A}$ Current Source	90.0 $\mu\text{A}$ Current Source	9.09 $\mu\text{A}$ Current Source	827 $\mu\text{A}$ Current Source
1000 pF	10 ns - 100 ns	100 ns - 1 $\mu\text{s}$	1 $\mu\text{s}$ - 10 $\mu\text{s}$	
1.1 $\mu\text{F}$	10 $\mu\text{s}$ - 100 $\mu\text{s}$	100 $\mu\text{s}$ - 1 ms	1 ms - 10 ms	10 ms - 100 ms

Charging current is stored on capacitor C882 when holdoff intervals less than or equal to 10 ps are desired. For longer holdoff periods, capacitor C881 and C885 are placed in parallel with C882 by turning Q782 on. Transistor Q782 turns on when HO3 (holdoff select 3) is LO, turning Q783 off. This pulls the gate of Q782 high and turns it on, placing the parallel combination of C881 and C885 in parallel with C882. Due to the relative capacitance ratios (1000:1), C881 is the dominant integrating element in the three-capacitor parallel combination.

**Holdoff-Ramp Comparators.** Two Holdoff-Ramp Comparators, U871 and U881, watch the holdoff ramp. Comparator U871 compares the ramp level to the user-defined reference level while U871 compares it to a predefined "end-of-holdoff" level.

Initially, a HI on the Q output of Holdoff Logic flip-flop U872A keeps Q781 turned on. The integration capacitors are discharged, and all the charging current is being shunted away from the capacitors through Q781. The user-definable holdoff reference applied to U871 pin 2 via R863 will always be more positive than this discharged level, so the output of U871 applied to the Holdoff Logic will be HI. This removes the reset from the Holdoff Logic flip-flop U872A and enables the occurrence of a trigger event (ATG going HI) to clock it.

When a trigger event occurs, discharge transistor Q781 turns off, allowing the selected integrating capacitors to charge. When the charging ramp reaches the user-defined HOREF (holdoff reference) level, the output of ramp comparator U871 will go LO. This resets flip-flop U872A of the Holdoff Logic which, in turn, turns Q781 back on.

The low-impedance path through Q781 discharges the integration capacitor very rapidly. When this discharging ramp crosses the -4.6V level (defined by R887 and R888), the output of U881 will go LO, resetting the Holdoff Logic circuit. This ends the holdoff pulse and allows the next trigger to be accepted.

Transistor Q781 remains on until the next trigger event, at which time the cycle repeats itself. Propagation delays through the Analog Trigger and the Record Trigger devices ensure that the discharging ramp will always reach the -5 V level before another trigger event can start the next holdoff ramp.

**Holdoff Logic.** The Holdoff Logic initiates and controls the holdoff ramp and produces the holdoff pulse controlling the delay between one trigger event and the next. It starts the holdoff ramp when a trigger event is detected, begins ramp discharge when the user-defined HOREF level is reached, and ends the holdoff pulse when the ramp crosses the "end-of-holdoff" level.

Initially, the Set and Reset inputs of U872A will be HI, allowing the flip-flop to watch the ATG (analog trigger) line for a trigger event. While it is waiting, its Q output will be HI, keeping Q781 on and the integration capacitors discharged.

When an ATG occurs, the HI level at the input of the flip-flop is clocked to the Q output while the Q output goes LO. This LO turns Q781 off and allows the selected current source(s) to charge the capacitors. At the same time, the LO is applied to pin 10 of U872B, forcing its Q output HI. This is the ATHO (analog trigger holdoff) signal and indicates that an analog trigger has occurred. This signal is applied to A/B Trigger Generator U150 (fig. FO-19) to prevent it from recognizing another trigger until the holdoff time ends.

As the charging ramp reaches the user-defined (front-panel Holdoff pot) reference level, the output from comparator U871 will go LO. This  $\overline{\text{CROSS}}$  (reference crossing) level is applied to U872A and resets the flip-flop. The Q output, now HI, turns Q781 on and begins discharging the ramp at a rapid rate. The HI Q output from U872A removes the Set level from U872B and allows the ENDHO (end of holdoff) level from U881 to reset the ATHO level LO when the discharging ramp reaches -4.6 V.

As mentioned earlier, propagation delays in the A/B Trigger Generator and the Trigger Logic Array ensure that another trigger (ATG) will not occur until Q781 has discharged the integration capacitors fully to -5 V. This ensures that holdoff ramps always start from a known point, and thus maintains holdoff stability.

The width of the ATHO pulse represents the time from which one analog trigger event was accepted to when the next trigger event is allowed (next acquisition record). By varying this time (front-panel Holdoff control) the displayed waveform may be adjusted to exclude undesired trigger events (which may cause display instability).

## RAMP1 and RAMP2 Jitter Counters

The RAMP1 and RAMP2 Jitter Counters convert the discharge time of their associated Jitter Ramps to binary numbers relating trigger-event positions to the edges of the sample clock. Since operation of both Jitter Counters is identical, only the RAMP1 Jitter Counter will be described.

The RAMP1 Jitter Counter is an eight-bit counter that is started and stopped by signals from the RAMP1 Jitter circuit. It counts the 8 MHz clock pulses over the interval when the Jitter Ramp is discharging, thus converting the peak value of the ramp to a binary number. Since that value is directly proportional to the time difference between a trigger event and the next sample-clock edge, the number derived by the counter gives a precise time measurement of where the trigger occurred with respect

to the sampled data. That information is used by the System Processor to correctly place the random-sampled data points obtained in REPET acquisition mode with respect to the previously acquired random data points as the waveform record is filled.

Initially, the RAMP1 Jitter Counter (composed of U852A and U852B) is held reset by the HI from pin 6 of U841A. When the START1 (start counter 1) input goes HI (signaling start of the slow discharge of integration capacitor C491, located on fig. FO-20), the rising edge of the next 8 MHz clock pulse will enable the counter by clocking the Q output of U841A LO. The Q output of the "stop" flip-flop U841B is LO and enables U851B to pass falling-edge clock pulses to U852A at an 8 MHz rate.

The counter increments until the Jitter RAMP1 circuit detects the discharge threshold has been crossed. When this occurs, STOP1 (stop counter 1) applied to U841B will go HI. The next rising edge of the 8 MHz clock disables U851B via U841B and stops the counter.

The System Processor may then read the counter contents via U752 at address-decoded location 620Eh. Counter contents for the RAMP2 Jitter Counter may be read at location 620Fh.

When the jitter ramps are reinitiated (in preparation for the next trigger event), the START1 and STOP1 signals will return LO. The next rising edge of the 8 MHz clock will reset the RAMP1 Jitter Counter by clocking pin 6 of U841A HI.

### Side Board Address Decoder

Address Decoder U781 monitors the address bus to determine when various buffers and registers on the Side board are to be enabled for communication with the System Processor. Table 3-9 illustrates this decoding.

**Table 3-9**  
**Side Board Address Decoding**

Address (hex)	Seiects or Enabies
6208	LED Register
6209	Front-Panel Register
620A	No connection
620B	No connection
620C	Write/Read Holdoff Register
620D	Set Holdoff Flip-Flop
620E	Read RAMP1 Jitter Counter
620F	Read RAMP2 Jitter Counter

### Calibrator

The Calibrator circuit is composed of U731, U831, Q831, and associated components. Output frequency is set by the CALCLK signal from the Time Base Controller (fig. FO-16). The output frequency follows the SEC/DIV setting from 50 ns/div to 20 ms/div and is set to display from 2.5 to 10 calibrator cycles across the ten graticule divisions over those settings. This feature allows quick and easy verification of the acquisition time base rates. The Calibrator circuitry is essentially a voltage regulator that is switched off and on, producing a square-wave output signal at the CALIBRATOR loop.

When the CALCLK (calibrator clock) signal, at the base of U831D (applied via R885) is LO, U831C (configured as a diode) is forward biased. This shunts bias current away from Q831, keeping it turned off. When Q831 is off, the front-panel CALIBRATOR output is pulled to ground potential, through R831, thereby setting the lower limit of the CALIBRATOR square-wave signal.

As the CALCLK signal goes from LO to HI, the base of U831D is pulled HI, reverse biasing U831C. Bias current for Q831 now flows through R834 and R835, turning it on. The voltage at the emitter of Q831 rises to a level of + 2.4 V, determined by the voltage regulator composed of U731, U831A, U831B, Q831, and associated components. This regulated level is divided down to + 400 mV p-p, by the resistive divider formed by R832 and R831, and applied to the front-panel CALIBRATOR loop at an effective output impedance of 50 Ω.

### CCD OUTPUT

The CCD Output circuits (fig. FO-22) convert the two differential output signals from each CCD into single-ended signals for subsequent A/D conversion. The single-ended analog voltages are applied to Sample-and-Hold circuits where they are held until the time-multiplexed A/D Converter digitizes the stored samples.

### Single-Ending Amplifiers

There are four identical Single-Ending Amplifiers used to convert the four differential CCD array outputs to single-ended signals for A/D conversion. Operation of the Channel 1 –Side 1 Single-Ending Amplifier is described.

Side 1 signal outputs from U450 are applied through R876A and R876B to the bases of U775A and U775B. Transistors U775A and U775B form a differential trans-conductance amplifier that provides high-impedance loading of the CCD array outputs. The collectors of the two transistors are connected to operational amplifier U770A which is configured as a differential-input, single-ended output transresistance amplifier. The con-

nection of R771 to the + 7.5 V supply causes the output of U770A to be level shifted to + 7.5 V. The resulting output at pin 1 of U770A is a level-shifted, attenuated, single-ended replica of the differential CCD array output signal with most common-mode interference removed.

## CH 1 and CH 2 Sample-and-Hold Amplifiers and Multiplexer

The CH 1 and CH 2 Sample-and-Hold Amplifiers and Multiplexer allow a single A/D Converter to digitize all the analog samples from both CCDS by time-multiplexing the output samples to the single converter. The four Sample-and-Hold circuits are identical; and, for brevity, only the CH 1 –Side 1 circuitry will be described.

The output from U770A is applied directly to sampling switch U560A, an enhancement-mode MOS-FET device. The switch gate is controlled via Q660 by the  $\overline{\text{OSAM1}}$  (Output Sample from Channel 1) logic signal, and is closed when the data being shifted out of the CCD is stable. When  $\overline{\text{OSAM1}}$  is LO, the switch is on, and hold capacitor C561 charges to the signal level of U770A. When OSAM1 is HI, the switch is off, and C561 holds its voltage level. Figure 3-3 (shown previously in the “System Clocks” description) shows the timing of  $\overline{\text{OSAM1}}$  and  $\overline{\text{OSAM2}}$  during the Slow-Out and Short-Pipe modes of CCD operation. During Fast-In mode,  $\overline{\text{OSAM1}}$  and  $\overline{\text{OSAM2}}$  are both held LO.

The level stored on Hold capacitor C561 is buffered by operational amplifier U770B. The operational amplifier, along with Q771, converts the applied input sample voltage to output current.

Selection of the CH 1 –Side 1 current signal to be digitized by the A/D Converter is controlled by the  $\overline{\text{DS11}}$  (Data Select-Channel 1 –Side 1) line. As shown in Figure 3-3, only one of the four DS signals will be LO at any time. A LO DS11 signal applied to the base of Q770 will turn that transistor off. The other transistor of CH 1 (Q870) and both of the CH 2 transistors (Q780 and Q880) are onto shunt their associated signal currents to ground. Each of the four shunting transistors will be turned off in sequence to allow its associated signal current to pass to the CCD DATA node via a series common-base transistor (Q772 for Channel 1 –Side 1). The resulting CCD DATA signal is a time-multiplexed combination of all four CCD output channels (two from CH 1 and two from CH 2).

Precise current matching of the Side 1 and Side 3 signal offsets is achieved by setting the DAC-generated CENTER 1 voltage at the time of calibration. Similar offset matching for CH 2 is done with the CENTER 2 signal.

## Auxiliary Supplies

The Auxiliary Supplies circuit, composed of U861A, U861B, U861C, U861D, and associated components, provides operating voltages used by the CCD Output circuitry. The voltage level of the A2D REF (-0.5 V analog-to-digital reference) is determined by the current through R861 from operational amplifier U861C and is set by the resistive divider string formed by R762, R763, and R764 from the + 10 V<sub>REF</sub> supply. The other voltage outputs (+ 7.5 V and + 9 V<sub>RA</sub> and + 9 V<sub>RB</sub>) are set by the various taps on the resistive voltage divider and buffered by operational amplifiers.

## A/D CONVERTER AND ACQUISITION LATCHES

The A/D Converter and Acquisition latches (fig. FO-23) circuit consists of eight-bit A/D Converter U560, eight-bit Envelope Min-Max Comparator U740 and U732 (for ENVELOPE acquisitions), Acquisition Latches U631, U632, U630 and U640, and latch switching circuitry to direct and latch the acquired data point values.

### A/D Converter

A/D Converter U560 is an 8-bit flash converter that digitizes the analog samples from the CCDs at an overall conversion rate of 2 MHz.

The A2D REF voltage (-0.5 V) is amplified and inverted by U880 to produce the 1.5 V reference voltage used by the A/D Converter. Noise and ripple are filtered from the amplified reference voltage by L770, C560, and C776. The negative side of the reference is tied to ground; therefore, input voltage for conversion may range from 0 V to 1.5 V. The time-multiplexed CCD Data signal current develops a voltage across R880 that is offset by the A2D REF and then amplified and inverted by U780 to produce an input signal to the A/D Converter within the 0 V to + 1.5 V range needed. The amplified signal is applied to the analog input of U560 after being filtered by L780 and C770.

The input sample is converted on the falling edge of D<sub>2</sub>XPC, a 2 MHz clock signal. A valid data byte representing the analog input voltage appears on the A/D Converter output approximately 20 ns later. That data byte is applied to the 8-bit Magnitude Comparator formed by U740 and U732, with the four LSB going to U740 and the four MSB of the byte going to U742.

### Envelope Min-Max Comparator

For ENVELOPE Mode acquisitions, glitch-catching at the slow SEC/DIV settings is done by the Envelope Min-Max Comparator circuit formed by four-bit comparators U740 and U732. At SEC/DIV settings slower than

50 ms, analog Peak Detectors U440 and U340 provide more samples than needed to fill the required 50 data points (25 min-max pairs) per division, so not all are saved. During each envelope sampling interval (1/50 of the SEC/DIV setting at 50  $\mu$ s and slower), the Envelope Min-Max Comparator compares every Peak Detector min/max value from A/D Converter U560 to the last-latched maximum or minimum byte to determine which sample will be saved. If the new byte value is greater than the latched byte value, the MAX output of Comparator U732 (pin 5) will go HI; if less than the latched value, MIN at pin 7 will go HI. If the A/D output value is equal to the latched value, both connected outputs of Magnitude Comparator U732 will remain LO. The final min byte and max byte obtained from each channel during an envelope sampling interval are saved to the Acquisition Memory as part of the envelope waveform record.

Since the input to the A/D Converter is time multiplexed between CH 1 maximum, CH 2 maximum, CH 1 minimum, and CH 2 minimum values from the Peak Detectors, the latched data applied to the Envelope Min-Max Comparator from the Max/Min Latches must also be time multiplexed to maintain the correct relationship for making the comparisons (CH 1 maximum against CH 1 maximum, CH 1 minimum against CH 1 minimum, etc.). The necessary time multiplexing is done by the Envelope Latching Logic circuitry.

### Acquisition Latch Switches

**NORMAL MODE ACQUISITIONS.** In non-envelope mode, the LOAD LATCHES signal from the Time Base Controller remains in its HI state. With LOAD LATCHES HI at one of the inputs of OR-gates U512A and U512B, the MIN and MAX signals from the Envelope Min-Max Comparators are ignored, and the outputs from the gates are held HI. This causes each sample from the A/D Converter to be clocked directly through the Acquisition Latches.

Output enabling of the four Acquisition Latches is controlled by the DS11, DS13, DS21, and DS23 data select lines, which also control the multiplexing of the CCD analog samples to A/D Converter U560. The states of these select lines, only one of which maybe HI at a time, are latched into the four flip-flops of U520 and U521 by the 20 MHz system clock (C20M1). The Q outputs of the flip-flops control output enabling of the four Acquisition Latches. One at a time, their outputs are enabled to apply the acquired data point to the output bus for transfer to the Acquisition Memory input buffer (U613, fig. FO-16). Four hundred nanoseconds after one of the Acquisition Latches has been enabled, the rising edge of the  $\overline{4XPC}$  signal clocks the HI state present on the D inputs of the flip-flops of U510 and U511 to the Q output of the enabled flip-flop. That rising edge then clocks the data byte from the A/D Converter through the enabled Acquisition Latch to the input buffer of the Acquisition Memory.

**ENVELOPE MODE ACQUISITIONS.** In ENVELOPE MODE, the LOAD LATCHES signal input to U512A and U512B (from the Time Base Controller, fig. FO-16) forces each clock flip-flop in turn to clock the A/D Converter output data byte into its associated latch by holding their D inputs HI during the first four data point conversions in each envelope sampling interval. These first four samples (one byte in each Acquisition Latch) initialize the min/max data in the latches for comparison to the remaining data samples that occur in the envelope sampling interval.

The Acquisition Latch Switches multiplex the latched CH 1 and CH 2 maximum and minimum data bytes to the inputs of the Envelope Min-Max Comparator so that each digitized sample from the A/D Converter is compared to the correct previous sample (CH 1 Min to the previous CH 1 Min, etc.). It also provides the proper enabling and clocking to direct a new maximum or minimum data bytes into the correct Acquisition Latch.

As in NORMAL Mode acquisitions, output enabling of the four latches is controlled by the DS11, DS13, DS21, and DS23 data select lines. The Q outputs of the flip-flops control output enabling of the four latches, causing the Acquisition Latch corresponding with the selected CCD output (CH 1 or CH 2, maximum or minimum) to apply the previously latched data byte to the inputs of the Envelope Min-Max Comparator. A/D Converter output data is thus always being compared to the proper maximum or minimum data value.

When the Envelope Min-Max Comparator detects that the A/D Converter output byte value is either above or below the latched byte value, the MAX or MIN output of U732 will go HI respectively. The HI is passed through U512A (MIN) or U512B (MAX) to the D inputs of flip-flops U510 and U511. Since the A/D Converter output byte value could represent any of the four CCD array channels, the data select lines that determine what sample is currently being output from the CCDs are applied to the reset inputs of U510 (A and B) and U511 (A and B). Only that clocking flip-flop corresponding to the selected data sample is enabled by a HI data select line; all others remain in the RESET state.

When the  $\overline{4XPC}$  (2 MHz) clock occurs, the enabled clocking flip-flop transfers the level at its D input to its Q output. If that level is a HI (a new max has been found), the current A/D Converter output data byte (the new max) will be latched into the associated Max Latch (either U632 or U631, depending on whether it is CH 1 or CH 2 data), where it then becomes the new comparison level. MIN clocks are produced by U510B and U511A in a similar fashion, latching the new MIN values into either U640 or U630.

### Acquisition Latches

During Envelope Mode, the Acquisition Latches perform as Min-Max latches (U631 and U632 Max; U630 and

U640 Min) to hold the maximum and minimum data point values being compared during the sampling interval. These values are compared to each newly converted waveform sample to determine when new maximums or minimums occur, Output enabling and data latching are controlled by the Acquisition Latch Switches as previously described.

## DISPLAY AND ATTRIBUTES MEMORY

The Display and Attributes Memory (fig. FO-24) is where the Waveform Processor stores waveform and readout data that is to be displayed on the CRT. Digital-to-Analog converters (DAC), under control of the Display Control circuits, convert this stored data to the vertical- and horizontal-deflection signal currents that drive the Display Output amplifiers.

### Vertical RAM

Vertical RAM U431 stores the vertical-deflection data for four 512-point waveforms. Data points to be displayed are written from the Save Memory into the RAM by the Waveform Processor (fig. FO-6) on the WD bus (waveform data bus) via bus transceiver U322. The stored waveform display bytes are read sequentially out of the Vertical RAM in blocks under control of the Display Counter (fig. FO-25) and applied to Vertical DAC U142 to produce the analog vertical deflection signal of the displayed waveform.

To write data into the Vertical RAM, the Waveform Processor puts the data byte to be written onto its WD bus and sets its  $\overline{WRD}$  (waveform read) bit HI. This HI enables bus transceiver U322, and the vertical data is applied to I/O (in/out) pins of the RAM. At the same time, the  $\overline{DISP}$  signal is address decoded LO (from decoder U570, fig. FO-6) for addresses between 8 K and 12 K, and the WAB address bit applied to U323B selects the Vertical RAM U431 via U421A. When the Waveform Processor generates its write pulse ( $\overline{WWR}$ ), it is transmitted through U422A and U422D, writing data into the Vertical RAM. This process occurs for each data byte (point) of waveform information.

To display the stored data points, the System Processor loads the starting address of the data block to be displayed into the Display Counter and selects the Display Counter to address the Vertical RAM (via the Address Multiplexer). The System Processor also sets the  $\overline{YON}$  (vertical display on) bit applied to U421A and U421B LO, selecting the Vertical RAM and enabling its outputs. As the Display Counter increments, the selected block of data is sequentially clocked out onto the DY bus (vertical-display data bus) and applied to Vertical DAC U142 to produce the vertical deflection signal current to the Vertical Output Amplifiers.

If the Waveform Processor needs to read data from the Vertical RAM, it outputs an address within the 8 K to 10 K address space of the RAM. This address block is decoded by U323B to enable both the Vertical RAM (via U421A) and bus transceiver U322. Since the Waveform Processor is trying to read data, its  $\overline{WRD}$  (waveform processor read) line will be set LO. This enables the RAM outputs via U323C and U421B and causes buffer U322 to direct the data onto the Waveform Processor data bus.

### Horizontal RAM

Operation of Horizontal RAM U440 is identical to that of the Vertical RAM just described. The Horizontal RAM chip select CSX) is gated through U323D for addresses between 10 K and 12 K when DISP is LO. Data that may be stored in the Horizontal RAM includes two 512-point waveforms and 1 K by 8 of readout information. During a waveform display, the data output from the Horizontal RAM may be routed to either the Vertical DAC or Horizontal DAC, providing for either two more YT displays or two XY displays.

### Attributes RAM

Attributes RAM U430 contains 4 K by 1 points of data that tell the Z-Axis system (using the BRIGHTZ signal) whether or not a data point read from either the Vertical RAM or the Horizontal RAM should be intensified. Operation of the RAM is similar to that just described for the Vertical and Horizontal RAMs except that the data path is only one bit wide.

The write enable of the Attribute RAM ( $\overline{WRA}$ ) is gated by U422C between 12 K and 14 K when DATT is LO from decoder U570 (fig. FO-25).  $\overline{WRA}$  going LO enables the data from bit WD7 of the data bus to be written to the addressed location. Gate U422A prevents the  $\overline{WWR}$  clock from being gated to U422C if the Display Counter is selected (Waveform Processor not in control of the address bus).

To read attribute data out of the RAM, the Waveform Processor sets  $\overline{WRD}$  LO. This LO, along with the address-decoded DATT (attribute data) line, enables buffer U423A and places the addressed output bit from the DO output of U430 onto bit WD7 of the data bus.

When displaying data from either (or both) the Vertical RAM or Horizontal RAM (the addresses applied to all three RAM chips are the same), the attribute data for each data point will be applied to the Z-Axis circuit to determine the intensity of each point. A HI bit from the DO output of U430 will intensify the displayed point.

### Horizontal Data Buffers

The Horizontal Data Buffers, U320 and U321, are used to route the data from the Horizontal RAM to either the Horizontal DAC or the Vertical DAC, depending on the type of display being produced.

For normal waveform displays, vertical deflection data may come from either the Vertical or the Horizontal RAM. To route data from the Horizontal RAM to the Vertical DAC, the outputs of the Vertical RAM will be disabled ( $\overline{OEY}$ ), the outputs of the Horizontal RAM will be enabled ( $\overline{OEX}$  goes LO), and buffer U320 will be enabled ( $\overline{XTOVERT}$  goes LO). These three signals are all controlled by the System Processor by writing bits XON and XTOVERT HI into Mode Control Register U541 (fig. FO-25) and writing a LO to the YON output of the register. Now, data addressed in the Horizontal RAM is applied to the Vertical DAC to produce vertical waveform deflections.

For XY displays, Mode-Control bits XON, YON, and XY are set HI while XTOVERT is set LO. This applies addressed data from the Vertical RAM to the Vertical DAC and applies the addressed data from the Horizontal RAM to the Horizontal DAC via now-enabled buffer U321. A waveform versus waveform (XY) display results.

During readout displays, both U320 and U321 will be disabled, along with the Vertical RAM. Since the readout character-code data is stored in the Horizontal RAM, it will be enabled. Character-code data from the Horizontal RAM is output to the Readout State Machine, where it is converted to the appropriate horizontal- and vertical-deflection codes.

### Readout Buffers

Readout buffers U240 and U140 direct the ten least significant bits (LSB) from the Display Counter to the Horizontal DAC and the Vertical DAC during readout displays. The buffers are enabled by a LO RO signal at their enable inputs.

Four of these bits, Q6-Q9, are applied to the four most significant bits (MSB) of the Vertical DAC input through U140A and are used to select one of the 16 available readout lines for the selected character to be displayed on.

The six LSBs are applied to the six MSBs of the Horizontal DAC and are used to select one of the 64 possible character positions on the selected readout line. Since a maximum of only 40 characters will actually be displayed on any given line, the gain of the Horizontal Output amplifier increases when readout is being displayed. The center 40 character positions then fill the display horizontally. This action is more fully explained in the Horizontal Output amplifier description.

### Ramp Buffers

Ramp Buffers U130 and U140 apply the ten LSBs of the Display Counter address (via Address Multiplexer U210, U212, and U221 on fig. FO-25) to the Horizontal DAC during YT waveform (non-XY) displays. Since the Display Counter address is merely incrementing for waveform

displays, a horizontal ramp results at the Horizontal DAC outputs. Each sequentially acquired data point is thus displayed at its corresponding horizontal (time-dependent) address on the CRT. The buffers are enabled by the  $\overline{COUNTEN}$  (counter enable) bit from the Mode-Control Register.

### Volts Cursor Register

Volts Cursor Register U241 is an address-decoded memory location where the System Processor writes the eight MSBs of the vertical-position data for volts-cursor displays. Data written into this register, along with two bits written into the Misc Reg U540, define the vertical position of the Volts-cursor. Since volts-cursor displays have two cursors, the processor alternately writes the position data for each cursor into the registers just before it is displayed. Data is written into the register on the rising edge of the address-decoded  $\overline{VCURS}$  clock pulse.

Volts-cursor displays are a special type of "waveform" display wherein the vertical deflection data from the Vertical RAM is disabled (by turning off the RAM chip select), and the data bits in Volts Cursor Register U241 (and the DY0-DY1 bits from the Mist Reg U540, fig. FO-25) are applied to Vertical DAC U142 instead. Cursor display is automatically selected by the Z-Axis logic when neither WFM nor RO are asserted (not a waveform display and not a readout display). To start the display, the System Processor asserts the START bit in the Display Control Register as it would for a waveform display, starting the Display State Machine. The result is a horizontal line displayed on the screen at the level set by the data from the Volts Cursor Register. When displaying cursors on a waveform, the two LSBs from the Mist Reg are set to 0, decreasing the resolution from 1024 levels to 256 levels.

### Time Cursor Register

Time Cursor Register U441 provides a function similar to the Volts Cursor Register. Time-cursor data is written to the register from the System Processor on the rising edge of the address-decoded TCURS clock (time-cursor clock). This data is applied to Horizontal DAC U250 (along with the DX0-DX1 bits from the Mist Reg) to define the horizontal position of the cursor. A software ramp previously written into Vertical RAM U431 is applied to Vertical DAC U142 as the Display State Machine runs (started in the same way as the volts-cursor display).

For "directed-beam" cursors, such as the "+" made up of individual microprocessor-directed points displayed on screen, both cursor registers are enabled after the System Processor writes one dot of XY position data into the registers. To display the addressed point, the processor sets the HZON (host z-axis on) bit in the Mist Reg LO, then HI. The processor then calculates the next point of the "+," writes the position data to the cursor registers,



enables the registers, and sets  $\overline{\text{HZON}} \text{ LO}$  to display that point. This cycle continues until the entire "+" is drawn.

## Vertical DAC

Vertical DAC U142 generates complementary vertical-deflection currents used to drive the vertical deflection system from the digital data applied to its inputs. The data that appears at the DAC inputs is selected by the microprocessor via the Mode-Control Register and determines what type of display will be generated. The exclusive-OR gate U350A inverts bit DY9 during "non-readout" displays to create "bipolar" data relative to the vertical (graticule) center of the CRT.

## Horizontal DAC

Operation of Horizontal DAC U250 is identical to that of the Vertical DAC and produces the horizontal-deflection signal currents that drive the Horizontal Output amplifier.

## Diagnostic Buffers

The Diagnostic Buffers, U141 (vertical) and U243 (horizontal), allow the System Processor to monitor the data being applied to the Vertical DAC and Horizontal DAC respectively. By forcing known data patterns through the various data paths and observing the data arriving at the DAC inputs, the diagnostic routines can verify functionality of much of the display system hardware. The buffers are enabled during diagnostics via the address-decoded Register Select logic.

## DISPLAY CONTROL

The Display Control circuitry (fig. FO-25) produces the CRT waveform and readout displays from data stored in the Display RAM. The data, originally stored by the Waveform Processor or the System Processor, is read out of the RAM and is used to produce the individual dots that make up both waveform and readout displays. The Display Control circuitry has two "state machines" for converting the stored data into the horizontal and vertical deflections that produce the waveform dots and readout characters.

For YT waveform displays, the Display State Machine generates 512 linearly spaced points across the face of the CRT (horizontally). Each of these points may be displayed at any of 256 vertical positions on the CRT. For XY displays, each of the 512 points that make up a waveform may be placed anywhere on the screen in a 256 by 256 matrix.

For readout displays, the face of the CRT is vertically divided into 16 character lines each having 40 horizontal

character positions on the line. Each of these character positions corresponds to a specific location in the readout memory space (stored in the Horizontal RAM). To display the readout, the Readout State Machine sequentially reads through the readout memory and displays the required character at the corresponding (memory-mapped) location on the CRT screen. Each displayed character consists of a sequence of individual dots produced by the Readout State Machine.

Each of these display types is controlled and initiated by the System Processor. The acquired waveform data points are written into the Display and Attributes Memory by the Waveform Processor and the readout data is written in by the System Processor. Display of this stored data is controlled by the System Processor through data latched into the several display registers. The data written to the registers determines what type of display should be produced, how long (number of data points) it should be, and when it should start.

## Register Select

The Register Select stage, composed of U550 and U450D (along with the System Processor address decoding), address decodes the three LSBS of the System Processor address bus to enable any of eight display "registers" for a read or write. These registers control such things as display mode (how the stored data is displayed, either XY or YT), which waveforms are displayed, and whether or not cursors and readout are to be displayed.

The enable inputs for U550 are controlled by the System Processor. The  $\overline{\text{DISPSEL}}$  (display select) is an address-decoded signal produced on the Processor board when any of the display memory addresses are output by the System Processor. Negative OR gate U450D provides an enable to U550 whenever the System Processor is trying to read or write. Address bit A3 provides the final enable when it is HI.

Once enabled, the three lowest address bits are used to select one of the eight outputs from U550. These outputs, when LO, enable or load one of the eight display registers. Enabling of these individual registers is explained in more detail in the specific register descriptions.

## Mode Control Register

Mode Control Register U541 and associated gating circuits composed of U340, U442, U423B, and U350C, control the operating modes of the various display state machines.

Data from the processor data bus is written into data latch U541 when the  $\overline{\text{MODECON}}$  (mode control) bit from U550 returns HI (after the PWRUP reset goes HI). These latched bits are used as enables to other portions of the display circuitry and control the overall function of the display.

NAND gates U340C and U340D do not allow the  $\overline{YON}$  and enables (controlling the vertical and horizontal RAMs respectively) unless the display counter is running (PRESTART + DISPLAY is Hi). Exclusive-OR gate U350C and tristate buffer U423B are used to enable horizontal-deflection bit DX1 only when the time cursor is being displayed (both RO and COUNTEN are LO). The remaining bits from the mode-control register are Nanded with the DISP (display running) signal and only affect their associated functions while the Display State Machine is running.

Buffer U542 provides a way for the System Processor to read back the data written to the Mode Control Register U541.

## Display Control Register

The operation of Display Control Register U530 is similar to that just described for the Mode Control Register. When enabled (by  $\overline{DISCO N}$ ), data from the data bus is written into U530 on the rising edge of the System Processor WR (write) clock. These data bits determine how many data points are displayed, whether the display is to be read from memory in envelope mode (ENV), and whether the intensity of each dot should be bright or dim (DOTS).

The buffer U531 provides a way for the System Processor to read back the contents of the Display Control Register.

## Misc Reg

Operation of the Mist Reg is identical to that of the Display Control Register just described. The output bits control miscellaneous circuit functions. The function of each bit is explained in the description of the associated circuitry.

Buffer U540 allows the System Processor to read back the contents of the Mist Reg.

## Display Clocks

The state machines of the Display System run on clocks derived from the 5 MHz clock of the Time Base Controller circuit (fig. FO-16). The Display Clocks circuit provides the signal frequency division and gating logic to properly condition clocks for the Display System circuitry.

The 5 MHz clock signal from the Time Base Controller circuit is buffered and inverted by U413C and is used to drive the Readout State Machine.

The 5 MHz clock is also applied to the counter made up of decade counters U410A and U410B, producing several intermediate clocks at their outputs. The 1 MHz 2QC clock, the 500 kHz 2QA clock, and the 250 kHz clock from U410B are gated together by U411A and produce the  $\overline{SAMPLE}$  clock, having a LO duty cycle of 12.5%.

Buffer U413A inverts the 250 kHz clock used for the Z-Axis and Display State Machines.

Gates U411C, U412C, and U412D make up a clock-steering circuit that selects the source for clocks to the counters, depending on display mode. When displaying waveforms, readout, or cursors, the DISPLAY bit applied to U411C is HI. The RO and RO signals, applied to U412C and U412D respectively, do clock selection depending on whether readout or waveform data is to be displayed.

For waveform displays, RO applied to U412C is LO, holding its output to U411C HI. This HI, along with the HI DISPLAY bit, enables U411C, and the output of U411C follows the 250 kHz signal applied to U412D (since RO is HI). For readout displays, RO and RO are HI and LO respectively. This holds the output of U412D HI, and the output of U411C follows the CLKRAM (clock RAM) signal from the Readout State Machine. To completely disable the Display Counter clocks, the Display State Machine sets the DISPLAY bit applied to U411C LO.

## Display Counter

The Display Counter stage, made up of U211, U220, and U222, generates the sequential addressing that the Display and Readout State Machines use to read the stored waveform and character data out of the Display and Attributes Memory. Depending on the type of information to be read from RAM (waveform or readout), clocks to the counter are selected by logic to produce waveform and readout displays at the proper refresh rates.

To display stored data, the System Processor writes the eight MSBS of the 12-bit starting RAM address into U211 and U220 over the data bus by generating a LO  $\overline{LDCOUNT}$  from the Register Select stage. The 4 LSBS of the address (all LO) are also loaded at the same time into U222. The counter then starts counting at the selected rate. When the count in U222 reaches 15, its  $\overline{RCO}$  (ripple-carry output) goes LO for the last half of the clock cycle and enables U220. Due to a two-gate propagation delay through U222 to the  $\overline{RCO}$  output, U220 will still be enabled on the rising edge of the next clock. This clocks U220, which is then disabled until U222 counts another 16 clocks. Counting continues, and eventually the  $\overline{RCO}$  output of U220 enables U211, causing it to increment in a

similar fashion. Counting continues until the Display State Machine determines that the desired display is complete, at which time it shuts off clocks to the counter.

The outputs of the counterchange synchronously and are applied to the Address Multiplexer stage, which selects between these counter outputs and the microprocessor address bus for Display and Attributes Memory addresses. The MAX output from U222 (occurring on count 15) is used in the Readout State Machine.

## Address Multiplexer

The Address Multiplexer stage, under control of the Display State Machine, selects the address source for the various display RAMs from either the Waveform Processor address bus or the Display Counter.

When the Waveform Processor is writing acquired data into the display RAMs (Horizontal or Vertical), the Display State Machine selects the Waveform Processor address bus (WAO-WAB) as the source for RAM addresses by setting the COUNTSEL (counter select) line LO. When displaying the stored data, COUNTSEL is HI, and the outputs from the Display Counter are routed to the various RAM address lines.

Exclusive-OR gate U350B is used to invert counter bit DCO when displaying envelope data (ENV is HI). This causes data pairs (max-min) to be read out in reverse (relative to how they were stored) and produces an envelope display that always starts with a MIN point.

## Display State Machine

The Display State Machine determines when display of stored data should start and stop, depending on other conditions in the Display System.

To start a display, the System Processor writes a HI for the START bit into Display Control Register U530. This HI is applied to the D input of flip-flop U415A and clocked to its Q output on the falling edge of the 250 kHz clock (rising edge of the  $\overline{250\text{ kHz}}$  clock). This latched STARTDIS bit (HI) is then applied to the D input of U414A and to pin 9 of U313. Since the Display Counter has not reached its final value (this is the starting point), the output level of the three lower AND gates within U313 are LO, thereby enabling the output AND gate (it has inverting inputs). With the previous display cycle finished (as it is for this discussion), the DISDN (display done) bit applied to pin 10 of U313 is also HI, The 250 kHz clock applied to this enabled AND gate causes the output of U313 to go HI on the falling edge to clock the HI STARTDIS bit to the Q output of U414A. This latched signal is the DISPLAY bit that enables the Display Counter clocks (via U411C).

The DISPLAY bit is delayed slightly by the propagation delays of the START bit through the flip-flops and gates.

Therefore, the PRESTART bit is written HI to cause the output of U323A to be HI until the DISPLAY bit is latched into flip-flop U414A. The HI PRESTART + DISPLAY bit from U323A selects the counter outputs to address the Display and Attributes Memory (via the Address Multiplexer stage). After the DISPLAY bit is latched into U414A, the System Processor sets the START and PRESTART bits from the Display Control Register LO. The LO START bit is clocked to the Q output of U415A, disabling the 250 kHz clocks through U313 to U414A, and the LO PRESTART bit allows the DISPLAY signal to control OR-gate U323A.

With the DISPLAY bit to U411C set HI, clocks from either U412C or U412D clock the Display Counter. Which one does the clocking depends on whether the data to be displayed is readout or waveform information. If readout information is being displayed, the RO bit (from the Mode Control Register) applied to U412D will be LO, disabling the 250 kHz clock (output of U412D is held HI). At the same time, RO applied to U412C is HI, enabling the CLKRAM (clock RAM) signal from the Readout State Machine to clock the address counters.

If waveform data is to be displayed, RO from the Mode Control Register is HI and RO is LO. The LO RO level applied to U412C closes the CLKRAM path (output of U412C is held HI) while the HI RO level applied to U412D opens the 250 kHz clock path through U412D and U411C.

The two display-control bits, STOP 512 and STOP 1024, applied to U313 determine how many data bytes are read from the selected display RAM (Horizontal, Vertical, and Attribute) before stopping the current display cycle. Only one of these two bits is HI at any time. The outputs of the unselected AND gates within U313 are LO, and along with the LO caused by the LO STARTDIS bit, enable the output gate of U313. The selected AND gate watches its appropriate counter bit and, on the falling edge of the bit, causes a clock at the output of U313. This clocks the now LO STARTDIS bit to the Q output of U414A, disabling U411C (and thus clocks to the Display Counter), and resets the DISDN at the Q output HI in preparation for the next display cycle.

The DISDN signal is also sent to the System Processor Interrupt Logic to tell it when the currently assigned display task is complete. When the processor detects the HI DISDN, it writes data out to the display register to start the next display cycle. The System Processor, knowing how much waveform and readout data needs to be displayed, does the writing at a rate that keeps the overall display-refresh rate constant.

Displaying a single waveform requires 512 data points be read from RAM, so STOP 512 is set HI. A two-waveform display or a single-waveform envelope display will require STOP 1024 to be HI. Readout displays may also consist of up to 16 lines of readout, in which case

STOP 1024 would be set. This is further explained in the Readout State Machine description.

The  $\overline{\text{STOPDIS}}$  bit applied to the reset inputs of U414A and U415A provides the System Processor with a way to stop any display in process.

### Z-AXIS Logic

The Z-Axis Logic determines when to turn the display beam on or off for each of the various display modes. These displays are readout, waveform, cursor-normal, cursor-dashed, and diagnostic (processor-forced) Z-Axis on.

To enable readout or waveform displays, the Display State Machine sets its DISPLAY output HI. This enables U415B, U414B, and U312C.

During readout displays, the  $\overline{\text{RZON}}$  (readout Z-Axis on) signal from the Readout State Machine is LO for each point that should be turned on and HI when the display should be blanked. The level of this signal is sampled by U415B at a 5 MHz rate. The Q output of U415B controls the Z-Axis through U450B and U223C, and since it is synchronized to the 5 MHz clock used to clock the Readout State Machine, the intensity of each dot is not the same.

For waveform displays, the DOTS bit from Display Control Register U530 will be set HI by the System Processor. This HI, along with the HI DISPLAY signal from the Display State Machine, enables U312C. As long as a waveform display is taking place, the 250 kHz clock turns the display dots on and off with a 50% duty cycle via U312C and U223C. When the Display State Machine determines that the waveform display is over, it sets its DISPLAY bit LO, disabling U312C. For nonwaveform displays, the DOTS bit is LO, also disabling U312C.

For cursor displays, the HI DISPLAY signal enables D flip-flop U414B, and the 250 kHz clock begins clocking the data from the output of U312B to the Q output of U414B. Since a cursor display is neither a waveform nor a readout display, the DOTS signal applied to inverter U413D is LO while the RO signal applied to NAND-gate U312B is HI. This enables U312B, and the output of U412A then controls the D input signal to flip-flop U414B. That signal is clocked to the Q output and applied to U223C to control the Z-Axis signal  $\overline{\text{ZON}}$ .

When displaying the inactive cursor (the one not selected for control by the cursor pot), the ACTIVELC (active line cursor) bit from the Mist Register to pin 2 of U412A is set LO. This causes the output of U412A to be HI, and the Z-Axis remains on as long as that particular cursor is being displayed.

When the other (active) cursor is to be displayed, the System Processor sets the ACTIVELC bit HI. The output of U412A is then dependent on the DC3 signal from the Display Counter. The DC3 signal has a 50% duty cycle and changes states every eight characters (for cursors, the character is a single dot), so the resultant cursor display appears as a dashed line,

The  $\overline{\text{HZON}}$  (host Z-Axis on) bit applied to U450B from the Mist Register (U540) allows the System Processor to turn the Z-Axis on during diagnostics and allows verification of Z-Axis functionality. When set LO,  $\overline{\text{HZON}}$  produces a LO at the output of U450B output, and thus at the  $\overline{\text{ZON}}$  (Z-Axis on) output of U223C. This keeps the Z-Axis turned on until the  $\overline{\text{HZON}}$  bit is reset HI by the processor.

### Readout State Machine

The Readout State Machine produces the alphanumeric readout on the CRT from character-code data stored in the Horizontal RAM. For readout displays, the face of the CRT is vertically divided into 16 character lines each having 40 horizontal character positions on the line. Each of these character positions corresponds to a specific location in the readout memory space (stored in the Horizontal RAM). To display the readout, the Readout State Machine sequentially reads through the readout memory and displays the required character at the corresponding (memory-mapped) location on the CRT screen. Each displayed character consists of a sequence of individual dots produced by the Readout State Machine.

Since the position of the character on the screen is related directly to the RAM location, the LSBS of the Display Counter are used to position the character on the CRT screen. The six LSBs of the counter are applied to the Horizontal DAC and select 1-of-64 character locations on a line (only the center 40 are displayed) and the next four LSBS are applied to the Vertical DAC to select 1-of-16 display lines.

Once this rough positioning is done, the Readout State Machine displays a sequence of dots that make up the addressed character, each dot being positioned relative to the rough display position.

Character codes, sequentially read from the Horizontal RAM, are applied to seven address lines of a character ROM (U420). These select the block of dot-position data within the ROM corresponding to that character code. Five more address bits are generated by an incrementing Dot Counter (U416B and U416A) and sequentially clock the XY dot-position data from the selected ROM block. The horizontal and vertical dot-position data is applied to the Horizontal and Vertical DACs and is used to deflect the CRT beam relative to the selected on-screen character position.

The operation of the Readout State Machine is ROM based; it proceeds through a sequence of states based on data loaded from a ROM.

Initially, when power is first applied, both the PWRUP (power up) and DISPLAY signals applied to U450A are LO. These states cause a LO at the reset input of presettable counter U231 that resets its output count to zero. The reset state will remain until the instrument power comes up (PWRUP goes HI) and the System Processor determines that a display should be produced (it starts the Display State Machine and DISPLAY goes HI).

With the reset removed, presettable counter U231 is enabled to either count (up) or do a parallel load from the four MSBS output from the addressed location within U232 on the next rising edge of the 5 MHz clock. The COUNT/ $\overline{\text{LOAD}}$  select line from the data selector U230 determines whether counting or loading will occur.

The LOAD/DECIDE bit output from the addressed ROM location within U232 is applied to the enable input of U230 and determines whether the COUNT/LOAD line is forced LO (U230 disabled by LOAD/DECIDE being HI) or whether one of the decision inputs is selected (via select inputs A, B and C of U230). When the LOAD/DECIDE bit from U232 is LO, it indicates that the state machine is at a decision point as to whether counter U231 should count or load (instead of just automatically loading the next state). The condition tested to make this decision is selected by the select inputs to U230 and are as follows:

- a. DO– RO (readout) goes HI when a readout display should start.
- b. D2 – AND gate U233A watches for the 12th character address (11).
- c. D3–  $\overline{\text{EOCH}}$  (end of character) goes LO on the last character dot and causes the next state to be loaded.
- d. D4– EOL (end of line X9 bit U440, diagram 16) goes HI when readout line is over.
- e. D5 – AND gate U223B watches for the 64th character address (63) to indicate that the next character is the beginning of a new line.

ROM U330, addressed in parallel with U232, outputs three bits unique to the state selected and is used to clock the dot counter (U416B and U416A), clock the Display Counter, and to turn on the Z-Axis for readout dots.

The flow chart in Figure 3-8 illustrates operation of the Readout State Machine.

As the state machine runs, the counter outputs of U231 (the “current-state”) are first reset to state “0.” The data output from the 04-07 (outputs 4-7) lines of U232 contain

the “next-state” data, 01-03 (outputs 1-3) hold the select data for the data selector U230, and output 00 (output 0) is the LOAD/DECIDE bit. In addition, the outputs from U330, used to turn on the Z-Axis if appropriate ( $\overline{\text{RZON}}$ ), increment the character ROM dot counter U416B-U416A ( $\overline{\text{CKDOTCTC}}$ ), and clock the Display Counter ( $\overline{\text{CLKRAM}}$ ) to address the next character, are now at their state 0 condition (all HI).

The COUNT/LOAD signal from U232 determines what action counter U231 takes when the next 5 MHz clock occurs. If LO, the data from outputs 04-07 of U232 is loaded to the counter outputs; if HI, the counter increments.

The LOAD/DECIDE line, along with the three channel-select inputs to U230, gives the state machine the ability to determine when certain events have occurred. When the LOAD/DECIDE bit from ROM U232 is HI, indicating that no decisions need be made in the present state, data selector U230 is disabled and the COUNT/LOAD output to U231 are forced LO. On the next 5 MHz clock, the “next-state” data from U232 (outputs 04-07) is merely loaded into counter U231.

If the “present-state” data output from U232 has the LOAD/DECIDE bit set LO, indicating that some circuit condition needs to be tested to determine what to do next, data selector U230 is enabled. The three data bits (01 through 03) from U232 define which condition needs to be tested and selects one of the D inputs of U230 to route to U231 via the COUNT/LOAD line. Whether or not the condition being tested for is present at the selected D input determines whether counter U231 counts or loads.

To go from state “0” to state “1,” data from U232 is loaded into U231.

The state 1 data from U232 has the LOAD/DECIDE signal set LO, and the next three bits select input DO of U230 to watch. This is the RO (readout) line, and it is set HI by the System Processor when it wants to start a readout display. If RO is LO (don’t start yet), COUNT/LOAD is also LO and the “next-state” data from U232 is loaded into counter U231. For state 1, the next-state data is also 1, so the state machine just cycles in state 1 until RO goes HI.

When RO goes HI, the COUNT/LOAD line follows and the next 5 MHz clock increments the counter to state “2.” State 2 has the LOAD/DECIDE bit set HI, so the next clock merely loads the next-state data (which happens to be 3) into U231.

State “3” clocks the Display and Attributes Memory (using  $\overline{\text{CLKRAM}}$  from U330), enables U230, and selects its D2 input. AND gate U223A, producing the D2 input level, monitors the Display Counter address lines, looking for address 11. Address 11 corresponds to the twelfth

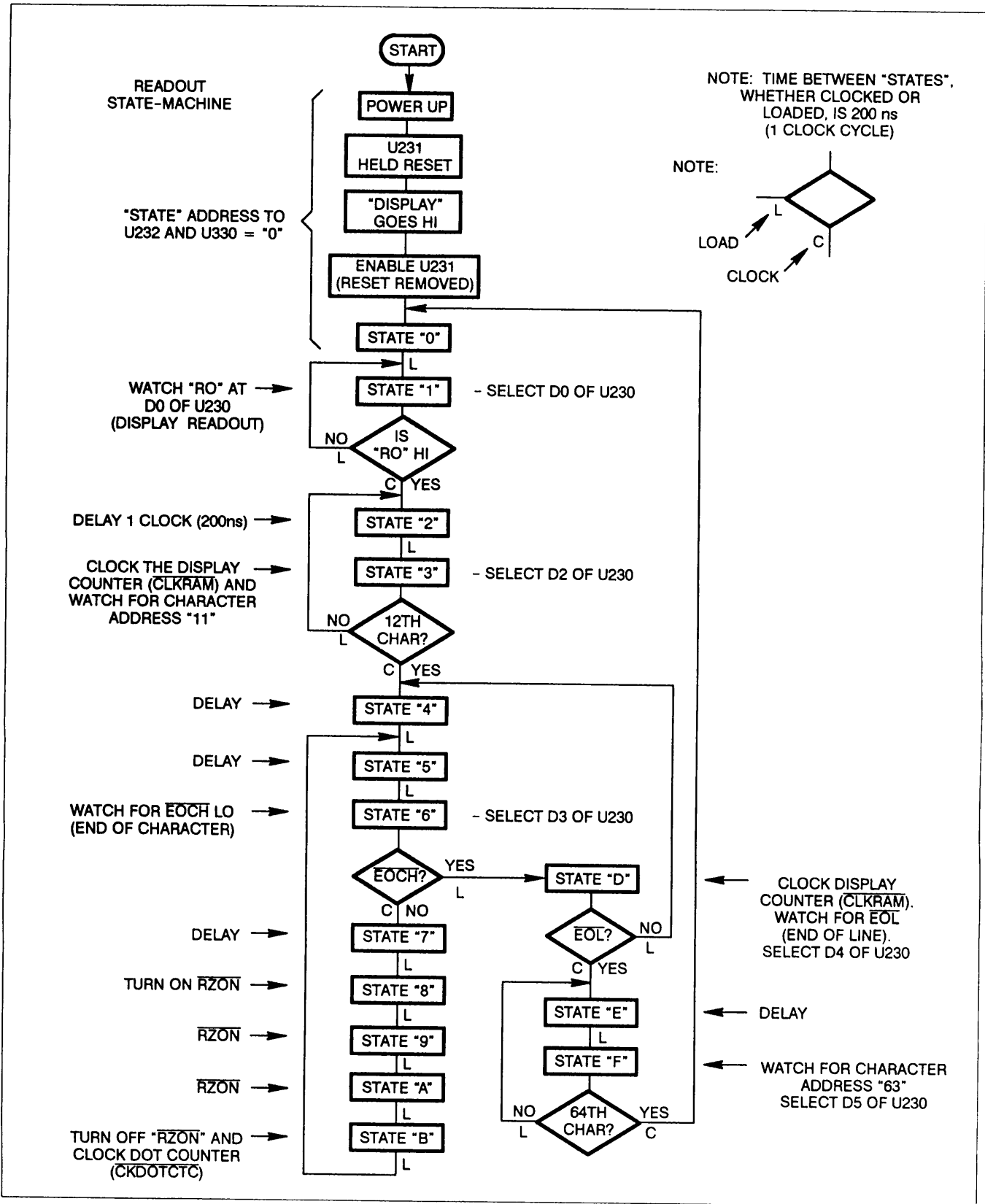


Figure 3-8. Readout State Machine flow chart.

character (remember character 0) and the first character displayed on the CRT. (See Display Output description for further explanation.) If address 11 has not been encountered yet, the next-state data from U232 will be loaded into U231.

This next-state data is 2. Returning to state 2 resets the  $\overline{\text{CLKRAM}}$  bit from U330 HI so the next state 3 will clock the Display Counter again. This loop between states 2 and 3 continues to clock the Display Counter until U223A detects address 11. When this occurs,  $\text{COUNT/LOAD}$  goes HI and the next 5 MHz clock increments the state to "4."

State "4" resets  $\overline{\text{CLKRAM}}$  HI and disables U230. The next clock loads state "5," a 200 ns delay, into U231. The next clock loads state "6."

State "6" data from U232 enables U230 and selects its D3 input. This is the  $\overline{\text{EOCH}}$  (end of character) bit from the character ROM U420 and will only be LO for the last dot of any given character. As long as  $\overline{\text{EOCH}}$  is HI (not the last dot), U231 will increment to state "7" on the next clock. State 7 disables U230, terminating the test condition.

State "8" is loaded from state 7 and turns on the Z-Axis via  $\overline{\text{RZON}}$  (readout Z-Axis on) from U330. States "9" and "A" (hex) are sequentially loaded from the previous state and also have  $\overline{\text{RZON}}$  asserted. These three cycles in sequence turn the Z-Axis on for 600 ns for each readout dot to be displayed.

State "B" is loaded from state "A" and does two things. It turns  $\overline{\text{RZON}}$  off (HI) and sets  $\overline{\text{CKDOTCTC}}$  (clock dot counter) LO, incrementing the dot counter made up of U416B and U416A. This addresses the next byte of XY deflection data within U420 in preparation for the next dot display cycle.

The next 5 MHz clock loads state 5 from state B and resets the  $\overline{\text{CKDOTCTC}}$  from U330 HI. State 6 is next loaded from state 5 and is once again checking for  $\overline{\text{EOCH}}$  (described earlier).

If  $\overline{\text{EOCH}}$  is set LO this time (signaling the last dot), counter U231 will be loaded to state "D" (instead of clocked to state 7 as described earlier). State D clocks the Display Counter via  $\overline{\text{CLKRAM}}$ , enables U230 and selects its D4 input. This input monitors the EOL signal (X9 bit) from the Horizontal RAM which will beset HI when the last character of a given line of readout information has been displayed. When EOL (end of line) is detected, U231 increments to state "E." If it is not detected, state 4 will be reloaded from state D data and the next character will be displayed as described before.

State "E" resets the  $\overline{\text{CLKRAM}}$  signal from U330 and disables U230. The next 5 MHz clock loads state "F" from state E data.

State "F" data clocks the Display Counter via  $\overline{\text{CLKRAM}}$ , enables U230 and selects its D5 input. AND gate U223B watches for Display Counter address 63; i.e., the 64th character. If the 64th character is not detected, state E is loaded from the state F data, resetting  $\overline{\text{CLKRAM}}$  HI in preparation for the next state F and the associated  $\overline{\text{CLKRAM}}$  pulse. The looping between states E and F continues to increment the Display Counter until U223B detects address 63 (the 64th character).

The 64th character is significant in that the next character is the start of the next line. When address 63 is detected, U231 is clocked from state F to state 0. The routine is now back to where it started, and the next line may be displayed in a similar manner.

## DISPLAY OUTPUT

The Display Output circuits (fig. FO-26) convert the current outputs from the Horizontal and Vertical digital-to-analog converters (DACs) to the voltage levels used to drive the CRT deflection plates. The Display Output circuit includes a vector-generation function that allows the individual dots of a waveform display to be translated into smooth lines connecting the waveform points (vectors on). A Display Mode switching circuit under control of the System Processor selects which type of signal is applied to the output amplifiers for the various display types (envelope, dots, vectors, or readout).

### Vertical and Horizontal input Buffers

Operation of the Vertical and Horizontal Input Buffers is identical; so for brevity, only the Vertical Input Buffer circuit operation is described.

The Vertical input Buffer, JFET operational amplifier U170 and its associated components, translates the complementary output currents from the Vertical DAC (U142, fig. FO-24) to an output voltage. Complementary, in this case, means that the sum of the currents is a fixed value; if one current increases, the other decreases by the same amount.

Current from the Vertical DAC output connected to pin 3 of U170 develops a voltage across R163. This voltage causes the output of U170 to move in the same direction until the feedback current through R164 applies an equal voltage to pin 2 of U170. The output voltage of the input Buffer at pin 6 is the (signed) sum of voltages across R163 (+) and R164 (-). The gain of the stage is 1 V per mA (differential).

### Vertical and Horizontal Vector Generators

Operation of the Vertical and Horizontal Vector Generators is similar. For brevity, only the Vertical Vector Generator is described in detail, and the differences in the two Vector Generators pointed out. Each Vector

Generator consists of a High-Current Difference Amplifier, a Sample-and-Hold circuit, and an Integrator circuit that transforms the step voltages output from the Sample-and-Hold circuit to smooth transitions (vectors). See Figure 3-9 for a simplified diagram.

The step transitions from Vertical Input Buffer U 170 are applied to the High-Current Difference Amplifier, made up of U281, Q182, Q181, and associated components, through R172. Initially (before the first integration occurs), input pin 3 of U281 is referenced to ground through R161; deviation from this ground reference seen at the other input (pin 2) causes the output (pin 6) of U281 to move in the opposite direction. This voltage change is applied to the base of Q181 (via R145) and to the base of Q182 (via series diodes CR193 and CR194 from R145). These transistors are biased in their linear region and act as emitter followers for the signals at their bases. Two series diodes between the bases of the transistors separate the base voltages by 1.2 V, so the emitters of both transistors are at about the same potential. Negative feedback from the amplifier output (junction of R194-R196) is via R280. The resistance ratio of R280 to R172 sets the voltage gain of the amplifier at -1. Capacitor C281, from the output of U281 back to the input at R172, provides a fast feedback path to smooth transition spikes.

Sample Switch U270B, Hold Capacitor C260, and Voltage Follower U280 form a sample-and-hold circuit.

The output of the High-Current Difference Amplifier at the junction of R194 and R196 is allowed enough time to settle to its new level before the 250 kHz SAMPLE pulse goes LO. At that time, the output of the Difference Amplifier is applied to the input of Voltage Follower U280A, and C260 is charged rapidly to that output voltage level. The SAMPLE pulse returns HI, and the BX output of the data selector goes to its high-impedance state to start the hold time. Voltage Follower U280 has high-impedante FET inputs; therefore, Hold Capacitor C260 discharges very little during the hold time.

The output of Voltage Follower U280 is held at the voltage level across C260; that level causes some value of current to flow through the series combination of R620 and R162 to the input of Integrator U282 (pin 2, the inverting input). The output of Integrator U282 at pin 6 ramps linearly for the duration of the hold cycle. (Actually, it ramps for almost the whole cycle, since the charge on Hold Capacitor C260 reaches the final level slightly before the sample switch is opened to start the hold time.) The time constants of the integrating network composed of R162 and of the series combination of R601 and C180 in parallel with R603 and C470 are such that the output of Integrator U282 reaches the new point position just as the next SAMPLE gate to U270B occurs. (A step change of 1 V at the input causes a ramp of  $-1/4$  V per ms (or  $-1$  V over the 4 ms cycle hold time.)

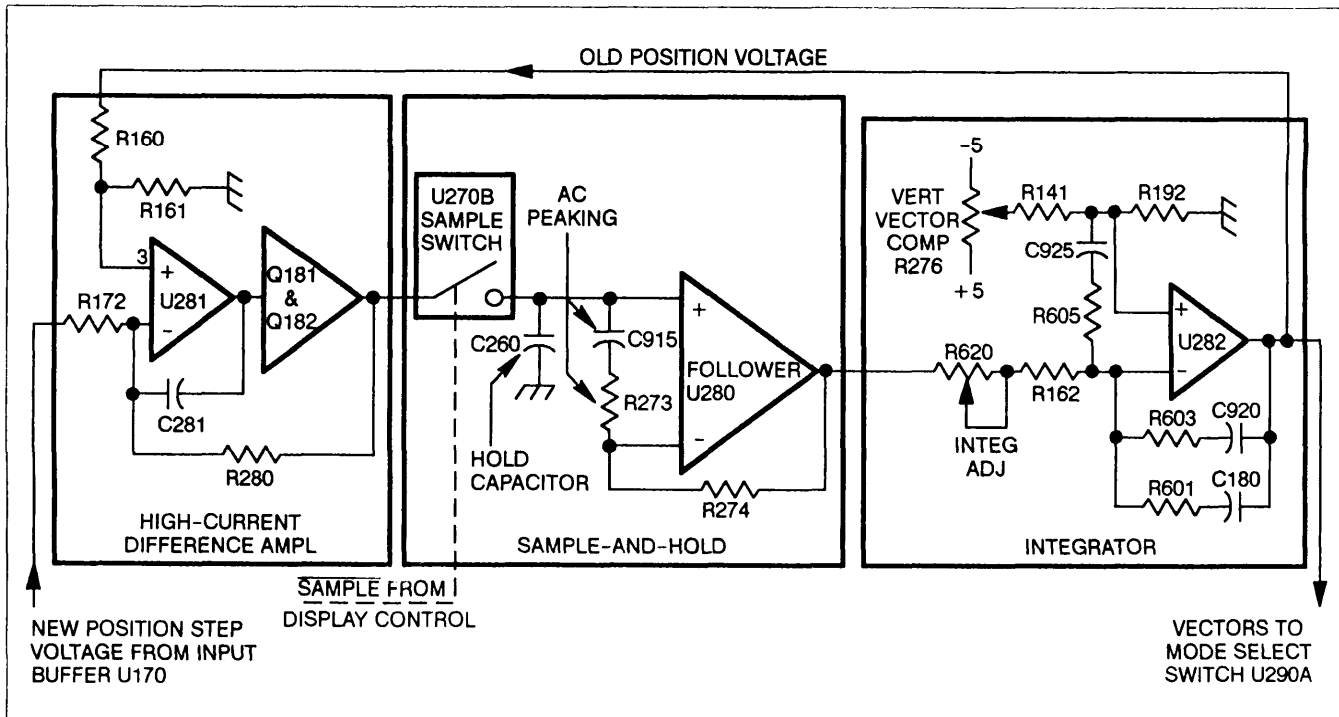


Figure 3-9. Vertical Vector Generator.



The feedback of this "new" point position to U281 through R160 modifies the reference at pin 3 of Difference Amplifier U281 (new reference is one-half the output voltage at U282 pin 6). The next voltage from Input Buffer U170 is applied to the input (pin 2 of U281) of the Difference Amplifier which now amplifies the difference between the present point position on screen (represented by the voltage at pin 3 of U281A) and the new position (applied to pin 2 of U281A). This difference voltage is sampled and stored on Hold Capacitor C260 where it sets a new current level through R162 and R620 from the output of Voltage Follower U280 to the input (pin 2) of Integrator U282A.

This cycle just described of comparing the old position to the new one, sampling the difference, and ramping to the new position continues for each point of a vector waveform display.

The adjustment associated with Voltage Follower U280 is INT ADJ potentiometer R620. This pot (the integrator adjustment) is used to compensate for charge current introduced from analog switch U270B. A corresponding adjustment is not present in the Horizontal Vector Generator circuit. A VECTOR COMP adjustment is present in both the Vertical and Horizontal Integrator circuits. The pots (R276 vertical and R376 horizontal) are used to adjust for minimum vertical and horizontal offset between the vector and dot displays.

### Mode Select

The Mode Select Switch consists of data selector U290A (horizontal) and U290B (vertical). The switches route the various X-Axis and Y-Axis signal sources to the Horizontal and Vertical Output amplifiers. The select signals to U290 coming from Mist Reg U540 (fig. FO-25) allow the System Processor to switch to the various display modes (Envelope, vectors, dots, and readout). The System Processor does this by writing control bits to the 1Q and 2Q output of Display Register U540 (AMP1 and AMP0 respectively) which are applied to select input SEL<sub>B</sub> (pin 9) of U290B and to SEL<sub>A</sub> (pin 10) of U290A.

An envelope waveform display is produced by selecting the X0 and Y0 inputs of U290 to be switched to the Vertical and Horizontal Output amplifiers. The signal applied to the Horizontal Output amplifier for YT displays is the incrementing count from the Display Counter, and it moves the electron beam horizontally across the face of the CRT. In the Vertical circuitry, a sample-and-hold circuit formed by Data Selector U270A and Hold Capacitor C912 bypasses the Vertical Vector Generator circuitry. The 250 kHz signal driving the data selector, derived from the same Clock Divider circuit that supplies the SAMPLE signal (U410A and B, fig. FO-25), is delayed slightly by the RC combination of R607 and C900. The delay allows the analog signal at the output of the Vertical DAC to settle before the sample from Vertical Input Buffer amplifier

U170 is taken. The voltage on C912 is applied to the RC integrator made up of R165 and C166 to produce a min-max envelope with shaded vectors between the successive dots.

To produce a vector display of a waveform, the System Processor selects the X1 and Y1 inputs of U290. This routes the outputs from the Vertical and Horizontal Vector Generators (previously described) to the Horizontal and Vertical Output amplifiers.

For non-vector waveform displays, the X2 and Y2 inputs are routed to the outputs of U290. These signal lines, V DOTS and H DOTS, come directly from the output of the Vertical and Horizontal Input Buffers (U170 and U370B), bypassing the Vertical and Horizontal Vector Generators. Since the data applied to the Horizontal DAC in YT mode is from the incrementing Display Counter, the Y-Axis vertical deflections are displayed versus a linear X-Axis ramp (horizontal time axis). If XY mode is in effect, the data applied to the Horizontal DAC is the digitized waveform data used to provide the X-Axis deflection signal. In either YT mode with vectors off or XY mode, a dot waveform display is seen on the CRT.

To display readout, the H READOUT and V READOUT signals at the Y3 and X3 inputs are switched to the outputs of U290. The resistive divider formed by R171 and R282 slightly decreases the amplitude of the signal from the Vertical DAC to ensure that all the Readout vertical data points are limited to eight vertical graticule divisions and will appear on screen. Operational amplifier U392B and its associated resistors perform the opposite function on the H READOUT signal from the Horizontal DAC, increasing the gain of that signal. This horizontal expansion causes the center 40 characters of a displayed readout line (out of a possible 64) to horizontally fill the screen. (See the Readout State Machine description for further details.)

### Horizontal and Vertical Output

Operation and circuitry of the Horizontal and Vertical Output are nearly identical. Therefore, only the Horizontal Output circuit operation is described.

The selected horizontal signal from U290A is applied to operational amplifier U392A configured with a variable gain set by R586. (The corresponding buffer in the Vertical Output has a slightly different variable gain range.) Operational amplifier U392D is an inverting amplifier having a gain of about two. Horizontal offset is adjusted with R587.

The output of U392D drives the negative horizontal-deflection plate (H-) of the CRT and operational amplifier U392C. Operational amplifier U392C is configured as an inverting buffer with unity gain, and its output drives the positive horizontal-deflection plate (H+).

## Spot-Wobble Correction

The Spot-Wobble Correction circuit provides a dynamic correction of spot-shift on the CRT caused by signal intensity changes (CRT electron-beam current changes). Correction is accomplished by injecting offsetting currents that vary linearly with beam-current changes into the Vertical and Horizontal Output.

The beam-current control voltage is inverted by U460A and applied to one end of R583 and R584 while the other end of both potentiometers is connected to the noninverted control signal. Each potentiometer is adjusted over this "differential" range to minimize the associated spot wobble while viewing a special calibration display provided with the Extended Calibration function.

## HIGH-VOLTAGE SUPPLY AND CRT

The High-Voltage Supply and CRT circuit (fig. FO-28) provides the voltage levels and control circuitry for operation of the cathode-ray tube (CRT). The circuitry consists of the HV Oscillator, the HV Regulator, the +60 V Supply, the Cathode Supply, the Anode Multiplier, the DC Restorer, Focus and Z-Axis Amplifiers, the Auto Focus buffer, the CRT, and the various CRT Control Voltage Circuitry.

### HV Oscillator

The HV Oscillator transforms power obtained from the -15 V unregulated supply into the various AC levels necessary for the operation of the CRT circuitry. The circuit consists primarily of transformer T525 and switching transistor Q628 connected in a power oscillator configuration. Sinusoidal low-voltage oscillations setup in the primary winding of T525 are raised by transformer action to high-voltage levels in the secondary windings. These AC secondary voltages are applied to the +60 V Supply, the DC Restorer, the Cathode Supply, and the Anode Multiplier circuits that provide the necessary CRT operating potentials.

Oscillation occurs due to the positive feedback from the primary winding (pin 4 to pin 5) to the smaller base-drive winding (pin 3 to pin 6) used to provide base drive to switching transistor Q628. The frequency of oscillation is approximately 50 kHz and is determined primarily by the parallel resonance frequency of the transformer.

**OSCILLATION START UP.** Initially, when power is applied, the HV Regulator circuit detects that the CRT cathode voltage is too positive and pulls pin 3 of transformer T525 negative. The negative level is applied to the base of switching transistor Q628 through the transformer winding and forward biases it. Charge begins to flow in the primary winding through the transistor

collector circuit and produces a magnetic field around the transformer primary winding. The increasing magnetic field induces an in-phase voltage in the base-drive winding that further supports the base-emitter voltage bias of the transistor. This in-phase feedback causes Q628 to remain on and continue supplying energy to the parallel resonant circuit formed by the winding inductance and interwinding capacitance of the transformer. As the primary voltage peaks, then begins failing, the induced magnetic field begins to decay. This decreases the base-drive voltage through the base-connected winding and begins to turn Q628 off.

As Q628 turns off, the magnetic field around the primary winding continues to collapse, and a voltage of opposite polarity is induced in the base-drive winding. This turns the switching transistor completely off. Once again, as the magnetic field builds and then reverses, the voltage induced in the base-drive winding changes direction, forward biasing Q628. At that point, the primary winding current starts increasing again, and the switching transistor is again turned on hard by the feedback supplied to the base-drive winding. This sequence of events occurs repetitively as the circuit continues to oscillate.

The oscillating magnetic field couples power from the primary winding into the secondary windings of the transformer. The amplitudes of the voltages induced in the secondary windings are a function of the turns ratios of the transformer windings.

### HV Regulator

The HV Regulator consists of U1686 and associated components. It monitors the CRT Cathode Supply voltage and varies the bias point of the switching transistor in the HV Oscillator to hold the Cathode Supply voltage at the nominal level. Since the output voltages at the other secondary winding taps are related by turns ratios to the Cathode Supply voltage, all voltages are held in regulation.

When the Cathode Supply voltage is at the proper level (-1900 V), the current through R263 and the 19 M $\Omega$  resistor internal to High-Voltage Module CR565 holds the voltage developed across C260 at 0 V. This is the balanced condition and sets the output of integrator U168B at a level providing correct base drive for Q628 to hold the secondary voltages at their proper levels.

If the Cathode Supply voltage level tends too positive, a slightly positive voltage will develop across C260. This voltage causes the output of integrator U168B to move negative. The negative shift charges capacitor C617 to a different level around which the induced feedback voltage at the base-drive winding will swing. The added negative bias causes Q628 to turn on earlier in the oscillation cycle, delivering more energy per cycle to the resonant transformer. The increased energy in the reso-

nant circuit increases the secondary voltages until the Cathode Supply voltage returns to the balanced condition (0 V across C260). Opposite action occurs should the Cathode Supply voltage tend too negative.

### +60 Volt Supply

The +60 Volt Supply circuit provides power to several other circuits on the High-Voltage board. Diode CR411 provides half-wave rectification of the first-tap voltage from the secondary of T525 and stores that charge on C216 and C218. Transistor Q215 and the associated components form a series pass regulator. Diode CR315 protects the base-emitter junction of Q215 should a failure reverse-bias the junction. Transistors Q216 and Q217 along with divider R218 and R219, and other associated components form an error amplifier to control the series pass regulator.

### Cathode Supply

The Cathode Supply circuit is composed of a voltage-doubler and an RC filter network contained within High-Voltage Module CR565. This supply produces the -1900 V accelerating potential to the CRT cathode and the -900 V slot lens voltage. The -1900 V supply is monitored by the HV Regulator to maintain the regulation of all voltages from the HV Oscillator.

The alternating voltage from pin 10 of transformer T525 (950 V peak) is applied to a conventional voltage-doubler circuit at pin 7 of the High Voltage Module. On the positive half cycle, the input capacitor of the voltage doubler (0.006  $\mu$ F) is charged to -950 V through the forward-biased diode connected to ground at pin 9 of the module. The following negative half cycle adds its AC component (-950 V peak) to this stored DC value and produces a total peak voltage of -1900 V across the capacitor. This charges the 0.006  $\mu$ F storage capacitor (connected across the two doubler diodes) through the second diode (now the forward-biased diode) to -1900 V. Two RC filters follow the voltage doubler to smooth out the AC ripple. A resistive voltage divider across the output of the filter network provides the -900 V slot lens potential.

### Anode Multiplier

The Anode Multiplier circuit (also contained in High-Voltage Module CR565) uses voltage multiplication to produce the + 14 kV CRT anode potential. Circuit operation is similar to that of the voltage-doubler circuit of the Cathode Supply.

The first negative half cycle charges the 0.001  $\mu$ F input capacitor (connected to pin 8 of the High Voltage Module) to a positive peak value of + 2.33 kV. The following positive half cycle adds its positive peak amplitude to the voltage stored on the input capacitor and boosts the charge on the second capacitor of the multiplier (and

those following) to +4.66 kV. Following cycles continue to boost up succeeding capacitors to values +2.33 kV higher than the preceding capacitor until all six capacitors are fully charged. This places the output of the last capacitor in the multiplier at + 14 kV above ground potential. Once the multiplier reaches operating potential, succeeding cycles replenish charge drawn from the Anode Multiplier by the CRT beam. The 1 M $\Omega$  resistor in series with the output protects the multiplier by limiting the anode current to a safe value.

### Focus Amplifier

The Focus Amplifier, in conjunction with the auto-focus circuitry, provides optimum focus of the CRT beam for all settings of the front-panel INTENSITY control. The Focus Amplifier itself consists of two shunt-feedback amplifiers composed of Q145, Q152, and their associated components. The outputs of these amplifiers set the operating points of a horizontally converging quadrapole lens and a vertically converging quadrapole lens within the CRT. The convergence strength of each lens is dependent on the electric field set up between the lens elements.

Since the bases of Q145 and Q152 are held at constant voltages set by their emitter potentials, changing the position of the wiper arms of the ASTIG and FOCUS pots changes the current in the base resistors, R261 and R145. This changes the feedback currents in R245 and R246 and produces different output levels from the Focus Amplifiers; that in turn, changes the convergence characteristic of the quadrapole lenses.

Initially, at the time of adjustment, the FOCUS and ASTIG potentiometers are set for optimum focus of the CRT beam at low intensity. After that initial adjustment, the ASTIG pot normally remains as set, and the FOCUS control is positioned by the user as required when viewing the displays. When using the FOCUS control, transistor Q152 is controlled as described above; however, an additional current is also supplied to the base node of Q145 from the FOCUS pot through R262. This additional current varies the base-drive current to Q145 and provides tracking between the two lenses as the FOCUS control is adjusted during use of the instrument.

### Auto Focus

The convergence strengths of the quadrapole lenses also dynamically track changes in the display intensity. The VQ signal, applied to the CRT at pins 5 and 6, is linearly related to the VZ (intensity) signal driving the CRT control grid, and increases the strength of the lenses at higher CRT beam currents. (A higher beam current requires a stronger lens to cause an equal convergence of the beam.) The emitter follower Q500 buffers the VZ signal (offset 15 V by VR316) to the first and second quadrapole lenses. A linear relationship (as opposed to the "ideal" exponential relationship) between the Z-Axis drive (VZ) and quadrapole voltage (VQ) provides ade-

quate dynamic focusing for low to medium Z-Axis drive. The High-Drive Focus adjustment R400 sets the attenuation factor at the output of buffer Q500. Capacitors C409 and C295 compensate for the capacitive loading of the quadrapole elements.

**Z-AXIS Amplifier**

The high-voltage, high-speed transresistance amplifier U227 produces VZ, the Z-Axis drive signal. The amplifier has two signal inputs: ZINT—acurrent input that determines the output voltage VZ, and ZON—a TTL gating signal that causes VZ to go to its lowest value (approximately 8 V) when HI, Capacitor C139 supplies current to U227 during VZ transitions, R137 is a current limiter, and C234 is a bootstrap capacitor to speed up VZ edges.

**DC Restorer**

The DC Restorer provides CRT control-grid bias and couples both the DC and the low-frequency components of the Z-Axis drive signal to the CRT control grid. This circuit allows the Z-Axis Amplifier to control the display intensity by coupling the low-voltage Z-Axis drive signal (VZ) to the elevated CRT control grid potential (about -1.9 kV). Refer to Figure 3-10 for the following description.

The DC Restorer circuit operates by clipping an AC voltage waveform at the grid bias and the Z-Axis drive levels. The shaped AC waveform is then coupled to the CRT control grid through a coupling capacitor that restores the DC components of the signal.

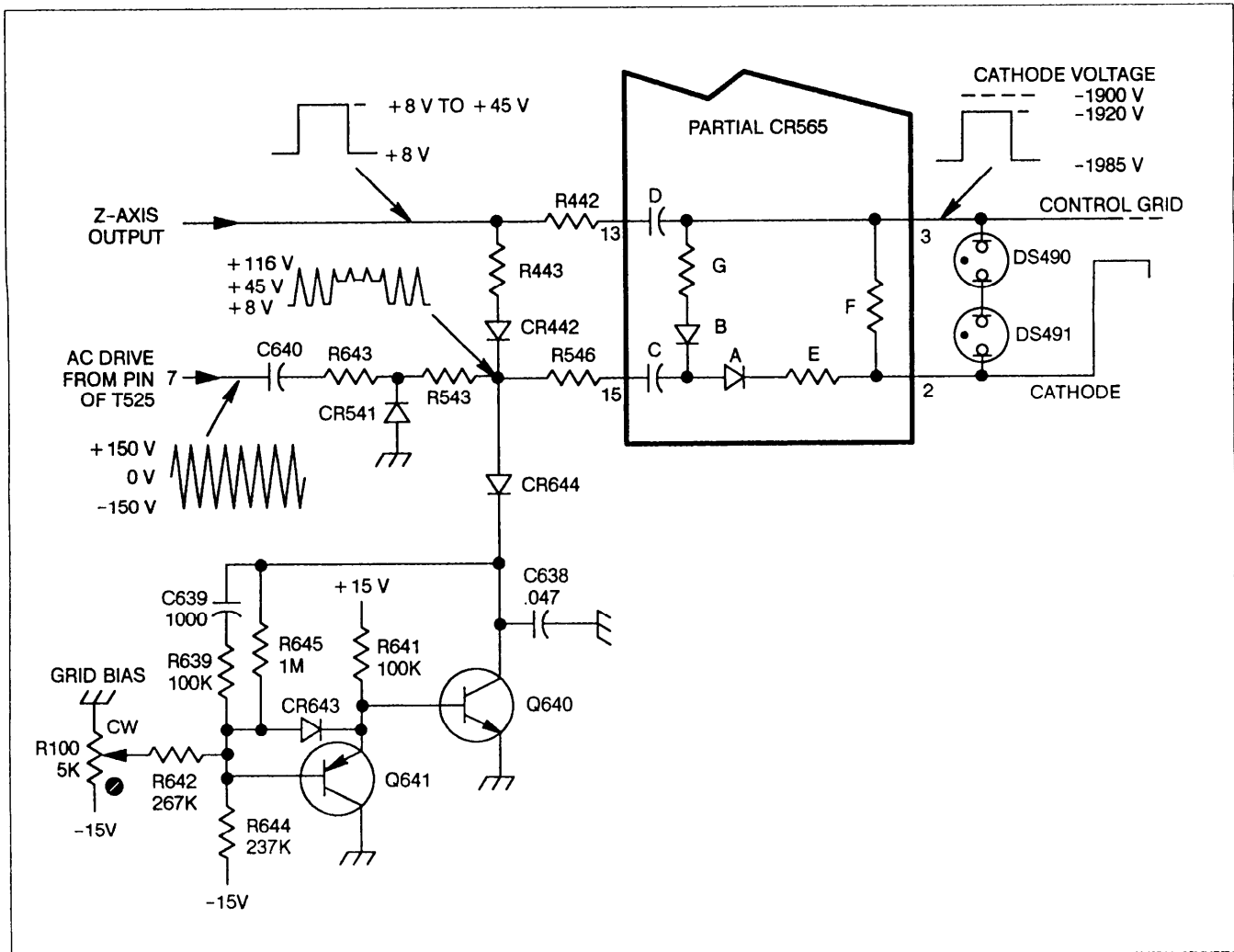


Figure 3-10. DC Restorer.

**GRID BIAS LEVEL.** An AC drive voltage of approximately 300 V peak-to-peak is applied to the DC Restorer circuit from pin 7 of transformer T525. The negative half-cycle of the sinusoidal waveform is clipped by CR541, and the positive half-cycle (150 V peak) is applied to the junction of CR442, CR644, and R546 via R643 and R543. Transistors Q640 and Q641, and associated components form a voltage clamp circuit that limits the positive swing of the AC waveform at the junction.

Transistor Q640 is configured as a shunt-feedback amplifier with R645, C639, and R639 as the feedback elements. The feedback current through R645 develops a voltage across the resistor that is positive with respect to ground on the base of the transistor. The value of this additive voltage plus the diode drop across CR644 sets the clamping threshold. Grid Bias potentiometer R100 varies the voltage across base resistor divider R642 and R644 and thus sets the feedback current through R645.

When the amplitude of the AC waveform is below the clamping threshold, diode CR644 will be reverse biased and the AC waveform will be unclamped. As the amplitude of the AC waveform at the junction of CR442 and CR644 exceeds the voltage of C638, diode CR644 becomes forward biased, and the AC waveform is clamped at that level. Any current greater than that required to maintain the clamp voltage will be shunted to ground by transistor Q640.

**Z-AXIS DRIVE LEVEL.** The variable Z-Axis signal (VZ) establishes the lower clamping level of the AC waveform applied to the High Voltage Module. When the amplitude of the waveform drops below the Z-Axis signal level, CR442 becomes forward biased, and the AC waveform is clamped to the Z-Axis signal level. The VZ level may vary between + 8 V and +50 V, depending on the setting of the front-panel INTENSITY control.

The AC waveform, now carrying both the grid-bias information and the Z-Axis drive information, is applied to a DC Restorer circuit in the High-Voltage Module where it is lowered to the voltage level of the CRT control grid (approximately -2 kV).

**DC RESTORATION.** The DC Restorer circuit in the High-Voltage Module is referenced to the CRT cathode voltage via a connection within CR565. Capacitor C (labeling shown in fig. 3-10), connected to pin 15 of CR565, initially charges to a level determined by the difference between the Z-Axis signal level and the CRT cathode potential. The Z-Axis signal sets the level on the positive plate of capacitor C through R443, CR442, and R546; the level on the negative plate is set by the CRT cathode voltage through resistor E and diode A. Capacitor D is charged to a similar DC level through resistor F and R442.

When the AC waveform applied to pin 15 begins its transition from the lower clamped level (set by the Z-Axis signal) towards the upper clamped level (set by the Grid Bias potentiometer), the charge on capacitor C increases. The additional charge is proportional to the voltage difference between the two clamped voltage levels.

When the AC waveform begins its transition from the upper clamped level back to the lower clamped level, diode A becomes reverse biased. Diode B becomes forward biased, and an additional charge proportional to the negative excursion of the AC waveform (difference between the upper clamped level and the lower clamped level) is added to capacitor D through diode B and resistor G. The amount of charge added to capacitor D depends on the setting of the front-panel INTENSITY control, as it sets the lower clamping level of the AC waveform. This added charge determines the potential of the control grid with respect to the CRT cathode.

The potential difference between the control grid and the cathode controls the electron-beam current (the display intensity). With no Z-Axis signal applied (INTENSITY control off), capacitor D will be charged to its maximum negative value since the difference between the two clamped voltage levels is at its maximum value. This is the minimum intensity condition and reflects the setting of the Grid Bias potentiometer. During calibration, the Grid Bias pot is adjusted so that the difference between the upper clamping level (set by the Grid Bias pot) and the 'no signal' level of the Z-Axis drive signal (VZ) produces a control grid bias that barely shuts off the CRT electron beam.

As the INTENSITY control is advanced, the amplitude of the square-wave Z-Axis signal increases accordingly. This increased signal amplitude decreases the difference between the upper and lower clamped levels of the AC waveform, and less charge is added to capacitor D. The decreased voltage across capacitor D decreases the potential difference between the control grid and the cathode, and more CRT beam current is present. Increased beam current increases the CRT display intensity.

During the periods that capacitor C is charging and discharging, the control grid voltage is held stable by the long-time-constant discharge path of capacitor D through resistor F. Any charge removed from capacitor D during the positive transitions of the AC waveform will be replaced on the negative transitions.

The fast-rise and fast-fall transitions of the Z-Axis signal are coupled to the CRT control grid through capacitor D. This AC-coupled fast-path signal sends the CRT electron beam to the new intensity level, then the slower DC Restorer path "catches up" to handle the DC and low-frequency components of the Z-Axis drive signal.

Neon lamps DS490 and DS491 prevent arcing inside the CRT by preventing the control grid and cathode from becoming too widely separated in voltage.

### CRT Control Voltages

The CRT Control Voltages circuitry produce the voltages and current levels necessary for the CRT to operate. Operational amplifier U168B, transistor Q269, and associated components form an Edge-Focus circuit that establishes the voltages for the elements of the third quadrupole lens. The positive lens element is set to its operating potential by Edge Focus adjustment pot R300 (via R393). This voltage is also divided by R278 and R277 and applied to the noninverting input of U168B to control the voltage on the other element of the third lens.

The operational amplifier and transistor of the Edge-Focus circuit are arranged as a feedback amplifier with R279 and R179 setting the stage gain. Gain of the amplifier is equal to the attenuation factor of divider network R278 and R277; so, total overall gain of the stage from the wiper of R300 to the collector of Q269 is equal to unity. The offset voltage between lens elements is set by the ratio of R279 and R179 and the + 10 V reference applied to R179. This arrangement causes the two voltages applied to the third quadrupole lens to track each other over the entire range of Edge Focus adjustment R300.

Other adjustable level-setting circuits include Y-Axis Alignment pot R305, used to rotate the beam alignment after vertical deflection. This adjustment controls the amount of current through the Y-Axis alignment coil around the neck of the CRT and is set to produce precise perpendicular alignment between the X- and Y-Axis deflections. The TRACE ROTATION adjustment pot, R1077, is a front-panel control. The effect of the adjustment is similar to the Y-Axis Alignment pot, but when adjusted, it rotates both the X-Axis and the Y-Axis deflections on the face of the CRT. A final adjustable level-setting control is the Geometry pot R200, adjusted to optimize display geometry.

## SYSTEM I/O

The System I/O circuits (fig. FO-29) provide methods of getting various types of signals or voltages into and out of the scope. These include a GPIB interface, an interface to the AutoStep Sequencer, Word-Trigger interface, an audio bell, and the probe-power connectors used to supply power to active probes.

### GPIB

The GPIB interface provides an electrical interface adherent to the IEEE 488-1980 Standard using protocols

defined in the Tektronix GPIB Codes and Formats Standard.

GPIB data transfers are done under control of U630, a GPIB Controller integrated circuit. The controller automatically produces proper handshaking and data direction control. Data is transferred to and from the GPIB bus through bidirectional buffer U624. Handshaking signals are transferred to and from the GPIB bus via the handshaking bidirectional buffer, U720. Data transfers between the GPIB Controller and the System Processor are through bidirectional buffer U532.

When power is first applied, the  $\overline{\text{GPIBRESET}}$  signal from register U754 holds GPIB Controller U630 in its reset state. The System Processor then removes the reset and begins to initialize the Internal registers of the GPIB Controller. To write data into the registers, the System Processor writes data to the memory-mapped addresses between 6800h and 6807h. These addresses produce a LO GPIBSEL and a LO address bit A3 applied to U332B and enable the GPIB Controller. Data is written to the internal register defined by address bits A0-A2.

The GPIB Controller is now initialized and begins watching the handshake lines on the GPIB bus, looking for a data transfer to be initiated by another GPIB device on the bus. Data transfer may also be initiated by the System Processor by writing data into the GPIB Controller data register. In either case, activity on the GPIB bus follows the sequences presented in Figures 3-11 and 3-12.

When data has been read into the controller from the GPIB bus, the  $\overline{\text{GPIBINT}}$  (GPIB interrupt) request is asserted, telling the System Processor that GPIB data is available. To receive the data, the System Processor reads the GPIB Controller internal data register, automatically resetting the interrupt request.

Status of the GPIB operations is displayed on the three front-panel GPIB Status LEDs. These LEDs are turned on or off by the System Processor by writing three control bits into GPIB Status Register U754.

### Sequencer Output

The Sequencer Output circuit drives two output BNC connectors and accepts input from a third BNC connector. The outputs/input are called SEQUENCE OUT, STEP COMPLETE, and SEQUENCE IN, respectively. SEQUENCE OUT steps LO (TTL level) to indicate when a sequence completes execution; STEP COMPLETE steps LO to indicate when a step in a sequence completes. A TTL step from HI to LO (or grounding the input) to SEQUENCE IN restarts a temporarily halted sequence.

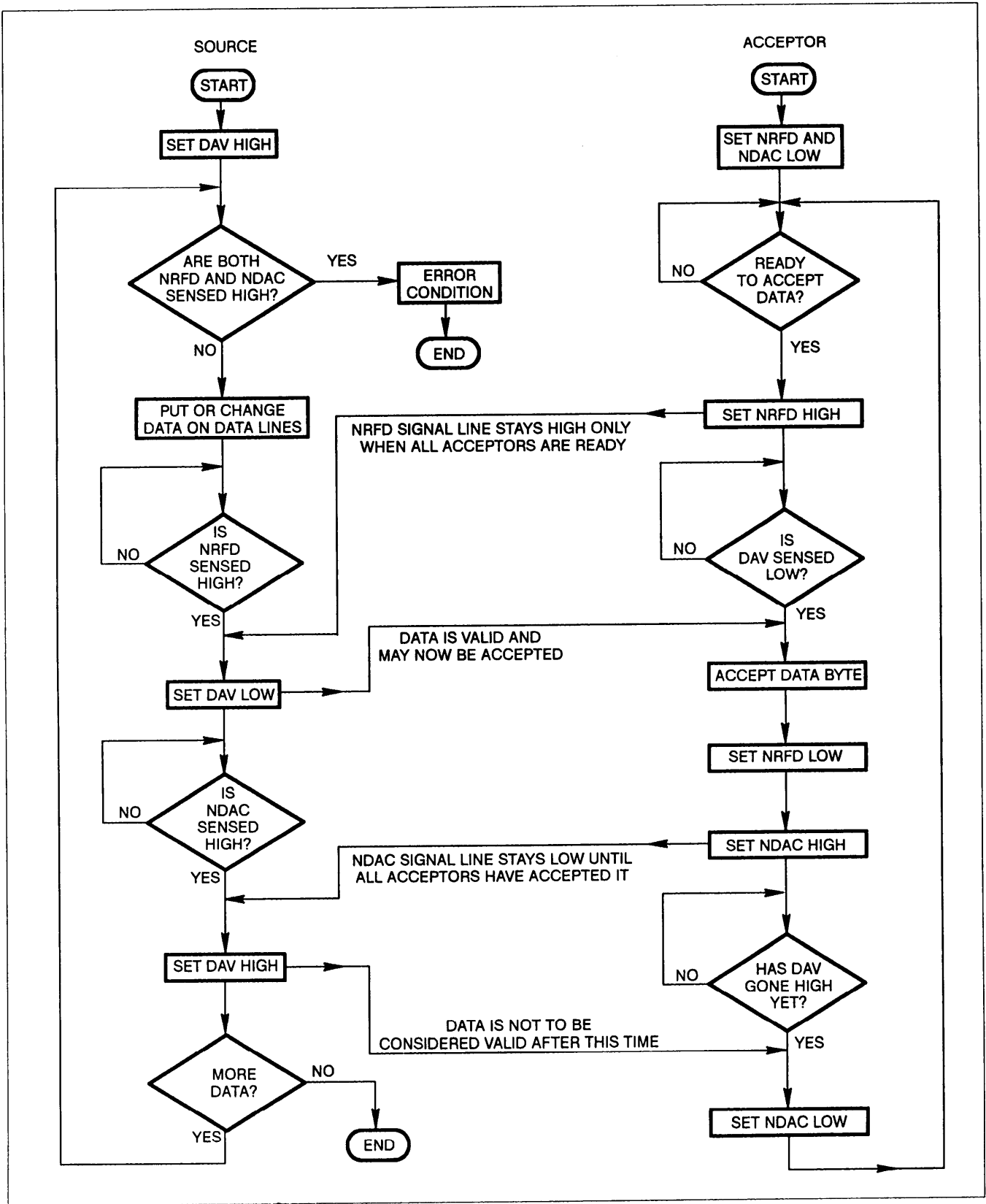


Figure 3-11. GPIB data flow diagram.

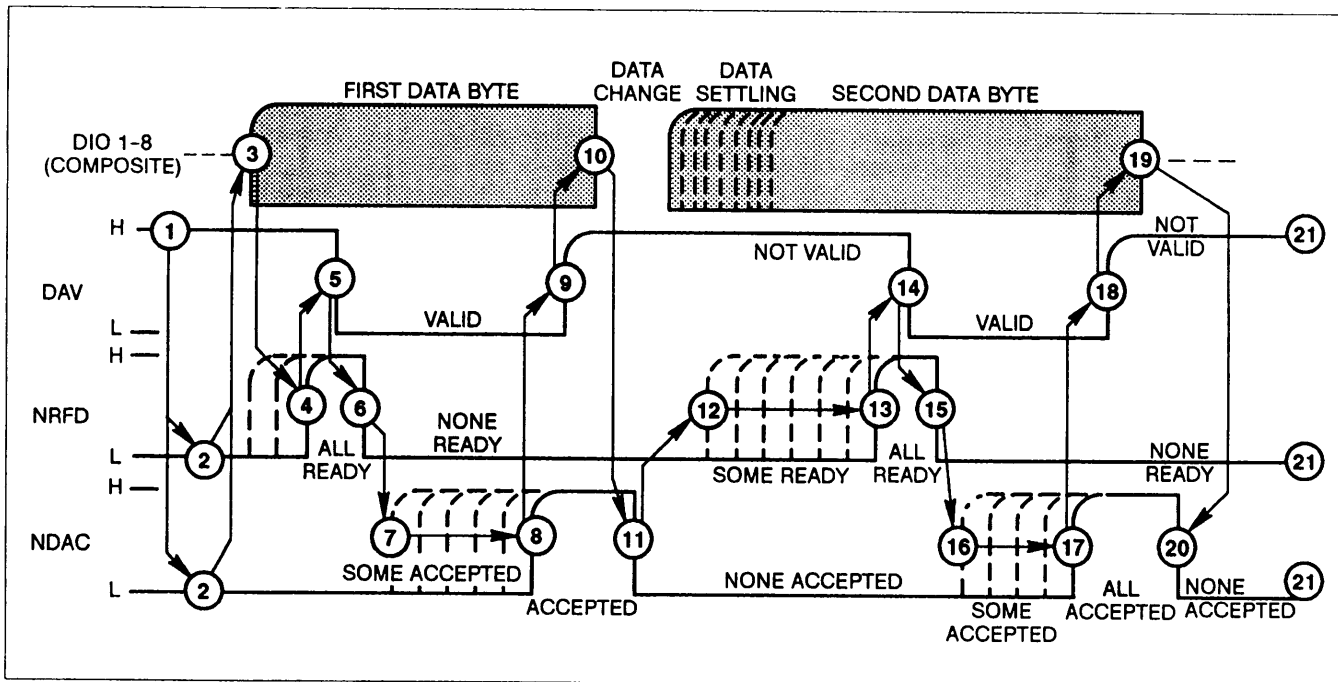


Figure 3-12. GPIB three-wire handshake state diagram.

The System Processor controls the SEQUENCE OUT and STEP COMPLETE output levels via Mist Register U760 (fig. FO-5). When a sequence and/or step is complete, the System Processor sets SEQOUT and/or STEP COMP HI out of the Mist Register.

SEQOUT is coupled to Q104 via R300, a 1 kΩ resistor. A TTL HI voltage level, dropped across the R330 and the base/emitter of Q104, is great enough to saturate Q104 and provides a LO SEQUENCE OUT at J1903. When SEQOUT is LO, Q104 is off. SEQUENCE OUT at J1903 is pulled up to about +3 V via R108. (The +5 V supply is zener-regulated by R105 and VR105 to provide the + 3 V collector supplies for Q104 and Q107.)

The circuit action of Q107 and its surrounding circuitry is identical to the Q104 stage with STEP COMP driving the base of Q107 via R108 to provide STEP COMPLETE at J1904. CR104/CR107 provide output protection for Q104/Q107.

To read the SEQUENCE IN at J1905, the System Processor periodically sets SEQINCS (Sequence In Chip Select) LO via register U884 (fig. FO-5). SEQINCS is routed to one input of OR-gates U250C and U132A; the other input of OR-gate U250C is connected to the System Processor WR (write) line, and the other input of U132A is connected to the System Processor RD line. With SEQINCS LO, the WR and/or RD can drive the output of their respective OR-gate LO, when they are asserted.

After setting SEQINCS LO, the System Processor next asserts WR LO. This LO drives the output of OR-gate U250C LO to RESET the Q output of D-type Flip-Flop U894B LO. NEXT, RD is asserted LO (WR goes HI) to drive the output of OR-gate U132A LO. This LO enables the upper-four buffers of the Octal Buffer U120. With the Q-output of Flip-Flop U894B connected to the input of one of the enabled buffers, that reset-forced LO obtained at WR is coupled to the DO line of the System Processor Data Bus. The System Processor monitors the DO bit as long as RD and SEQINCS are asserted.

The input to inverter U424E is normally pulled up to + 5 V by R120. This HI is inverted LO by U424E and routed to the positive-triggered clock input of Flip-Flop U894B. If, during the time RD is asserted, SEQUENCE IN steps LO at J1905, it drives the clock input of U894B HI and the + 5 V hardwired to the D-input of the flip-flop latches to the Q output. With the Quad Buffer still enabled by RD, the System Processor reads the transition via data bit DO and restarts the temporarily-halted sequence.

**Word Trigger and GPIB Status**

**NOTE**

*The Word Trigger Probe is not supplied with the OS-291/G.*

The Word Trigger circuit provides interface and control of the external Word Trigger Probe. Two bits from Control Register U754 are used to set the recognition mode of the



Word Trigger Probe. Forty bits of serial data are applied to the W DATA (word data) line and clocked into the serial shift register in the word probe by toggling the W CLOCK (word clock) line. Once loaded, the Word Trigger Probe outputs a trigger pulse each time (and as long as) the set conditions are met.

The  $\overline{\text{WD TTL}}$  output is applied to the trigger circuits where, if selected as the trigger source, it produces a scope trigger event. The trigger signal is buffered to the rear panel by U844D, Q720, and the associated components. Output levels are TTL compatible, with the maximum HI level being set by R716 and VR717. Output impedances are  $47\ \Omega$  LO and  $227\ \Omega$  HI. Diode CR722, zener VR717, and resistors R717 and R718 provide protection of the output circuit should an out-of-range voltage be applied to the output connector.

The remaining inputs and outputs of Control Register U754 are used to control the GPIB Status LEDs and to reset GPIB Controller U630.

### Bell

The Bell circuit allows the scope to produce an audio tone to draw the operator's attention to certain warning and error conditions. The circuit consists of a free-running oscillator whose signal is gated through the output speaker.

The oscillator consists of timer U274, configured as an astable multivibrator (oscillator), and output transistor Q594, used to buffer the oscillator output. Current flowing in R274 and R276 charges C372 up until it crosses the trigger level at pin 2 of U274. This sets the output applied to the base of Q594 LO, turning the transistor off, and sets the discharge output at pin 7 to ground potential. Capacitor C372 now discharges through R276 until the threshold level at pin 6 is reached, at which time the output at pin 3 goes HI and the discharge pin goes to a high-impedance state. Capacitor C372 begins to charge through R274 and R276 again, completing the cycle. The cycle continues as long as instrument power is applied, alternately turning Q594 off and on with an approximate 50% duty cycle.

The BELL line from the Misc Register (U760, fig. FO-5) is used to gate this oscillator signal through the speaker to produce the audio output. As long as BELL is LO, transistors Q596, Q558, and Q592 are off, and current is cut off to speaker LS498.

When BELL goes HI, transistor Q596 turns on, which in turn, turns on Q588. With Q588 on, the base of Darlington transistor Q592 is pulled HI. Now, whenever the oscillator transistor Q594 is on, proper biasing conditions for Q592 are established and current flows from the  $+5\ \text{V}_D$  supply to ground through Darlington Q592, the speaker LS498, and transistor Q594. When Q594 turns off, current flow is interrupted until the oscillator turns Q594 back on.

Since LS498 is inductive, the current decay portion of its cycle (Q594 off) tends to force pin 1 of the speaker above the  $+5\ \text{V}_D$  supply level. Diode CR594 becomes forward biased in this case and shunts the decay current back to the  $+5\ \text{V}_D$  supply, protecting transistor Q594 from overvoltage conditions.

As long as the BELL line remains HI, the speaker produces an approximate 2 kHz tone. In practice, the System Processor sets the BELL line HI for a short time ( $\pm 4$  ins), turning Q588 on, starting the tone and rapidly charging C590. When BELL returns LO, C590 gradually discharges through R594. As the capacitor discharges, bias on Q592, and thus current through the speaker is reduced, causing the sound to gradually fade out in a pleasing "bell-like" tone.

### Probe Power

#### NOTE

*Probes powered by the Probe Power circuit are not supplied with the OS-291/G.*

The Probe Power outputs on the rear panel provide access to three of the instrument power-supply voltages and may be used to power approved voltage- and current-probe accessories.

### LOW-VOLTAGE POWER SUPPLY

The low voltages required by the scope are produced by a high-efficiency, switching power supply (fig. FO-31). This type of supply directly rectifies and stores charge from the AC line supply; then the stored charge is switched through a special transformer at a high rate, generating the various supply voltages.

### AC Power Input

**LINE SWITCHING AND LINE RECTIFIER.** AC line voltages of either 115 V or 230 V may provide the primary power for the instrument, depending on the setting of the LINE VOLTAGE SELECTOR switch S1000 (located on the instrument rear panel). POWER Switch S1350 applies the selected line voltage to the power supply rectifier (CR510).

With the selector switch in the 115 V position, the rectifier and storage capacitors C105 and C305 operate as a full-wave voltage doubler. When operating in this configuration, each capacitor is charged on opposite half cycles of the AC input, and the voltages across the two capacitors in series approximates the peak-to-peak values of the source voltage. For 230 V operation, switch S1000 connects the rectifier as a conventional bridge rectifier. Both capacitors charge on both input half cycles, and the voltage across C105 and C305 in series approximates the peak value of the rectified source

voltage. For either configuration (with proper line voltage), the DC voltage supplied to the power supply inverter is the same.

**SURGE PROTECTION.** Thermistors RT717 and RT805 limit the surge current when the power supply is first turned on. As current warms the thermistors, their resistances decrease and have little effect on circuit operation. Spark-gap electrodes E609 and E616 are surge voltage protectors. If excessive source voltage is applied to the Instrument, the spark-gaps conduct, and the extra current quickly exceeds the rating of F1000. The fuse then opens to protect the power supply.

**EMI FILTER.** A sealed line filter, FL1000, is packaged with the line cord connector. It is effective in reducing noise with frequency components at and beyond 1 MHz. A differential mode filter is made up of R809, C816, R815, L715, L709, R808, R713, and C706 and is effective in reducing switch-mode noise up to 1 MHz. Resistor R1000 ensures that the capacitors in the line filter become discharged a short time after removal of the line cord so as to not present a shock hazard at the line cord connector. A combination common-mode and differential-mode filter is made up of T117, R217, R117, C219, C225, and C328. The line-rectification energy-storage capacitors (C105 and C305) also aid in the operation of this filter circuit. Resistors R410 and R401 bleed charge from the line-rectification capacitors to guarantee that they are discharged within a definite time after power is removed (turned off).

**THERMAL SWITCH.** Thermal Switch S1020 opens if the temperature of the power supply heatsink becomes abnormally high. High temperatures may indicate blocked ventilation holes or failed components. Opening the switch removes AC-line power from the supply to prevent any further damage from occurring. When the heatsink cools to its normal limits, the switch recloses. Opening of S1020 immediately shuts off the power supply, and the System Processor does not perform its normal shutdown routine. Waveforms and front-panel settings are not saved on a thermal shutdown.

### Control Power Supply

The control circuits for the power supply require a separate power supply circuit to operate. This independent power source is made up of Q148, Q240, Q836, and associated components.

Initially, when instrument power is applied, the positive plate of capacitor C244 is charged toward the value of the positive rectified-line voltage through R223. The voltage at the base of Q148 follows at a level determined by the voltage divider composed of R436, R244, CR239, R240, R640, Q836 and the load resistance placed on the supply. When the voltage across C244 reaches about +27 V, the base voltage of Q148 reaches + 12.6 V and Q148 turns

on, saturating Q240. The +27 V on the emitter of Q240 appears at its collector and establishes the positive voltage supply for the + 12 V regulator stage formed by Q836, VR929, R240, and R640. With Q240 on, R244 is placed in parallel with R436 and both Q148 and Q240 remain saturated.

The +27 V level begins to drain down as the +12 V Regulator draws charge from C244. If the main power supply doesn't start (and thus recharge C244 via T335 and CR245) by the time the voltage across C244 reaches about + 14 V, Q240 turns off. With Q240 off, resistor R244 pulls the base of Q148 low and turns it off also. (Capacitor C244 would only discharge low enough to turn off the transistors under a fault condition.) In this event, C244 would then charge again to +27 V, and the start sequence would repeat. Normally, the main power converter is delivering adequate power before the + 14 V level is reached, and the current drawn through T335 via Q421 and Q423 induces a current in the secondary winding of T335 that charges C244 positive via diode CR245. The turns ratio of T335 sets the secondary voltage to approximately + 17 V and, as long as the supply is being properly regulated, C244 is charged to that level and held there.

### Preregulator

The power converter consists of a buck-type switching Preregulator, producing width-regulated voltage pulses that are filtered to produce a preregulated DC current, and an Inverter stage that chops this preregulated current into AC to drive a power transformer. The transformer has output windings that provide multiple unregulated DC voltages after rectification has taken place. The main Preregulator components are Q421, Q423, CR426, C328, T335, T620, and U233. The fundamental Inverter components are Q521, Q721, T639, and U829B (see fig. 3-13).

**PREREGULATOR CONTROL CIRCUIT.** The Preregulator control circuit monitors the drive voltage reflected from the secondary to the primary of the Inverter output transformer T639 and holds it at the level that produces proper supply voltages at each of the secondary windings.

The Preregulator control circuit consists primarily of control IC U233, gate drive transformer T620, and the associated bias and feedback circuit elements. The voltage at the primary center tap of T639 is attenuated and applied to the voltage-sense input of control IC U233. This IC varies the "on time" of a series switch, depending on whether the sensed voltage is too high or too low. Transistors Q421 and Q423 form this "series switch," and are each active during alternate switching cycles. The on-time duty cycle of the series switch is inversely proportional to the rectified line voltage on C328. In normal operation, the series switch is on about one-half of the time. When the series switch is off, current to T639 is through CR426.

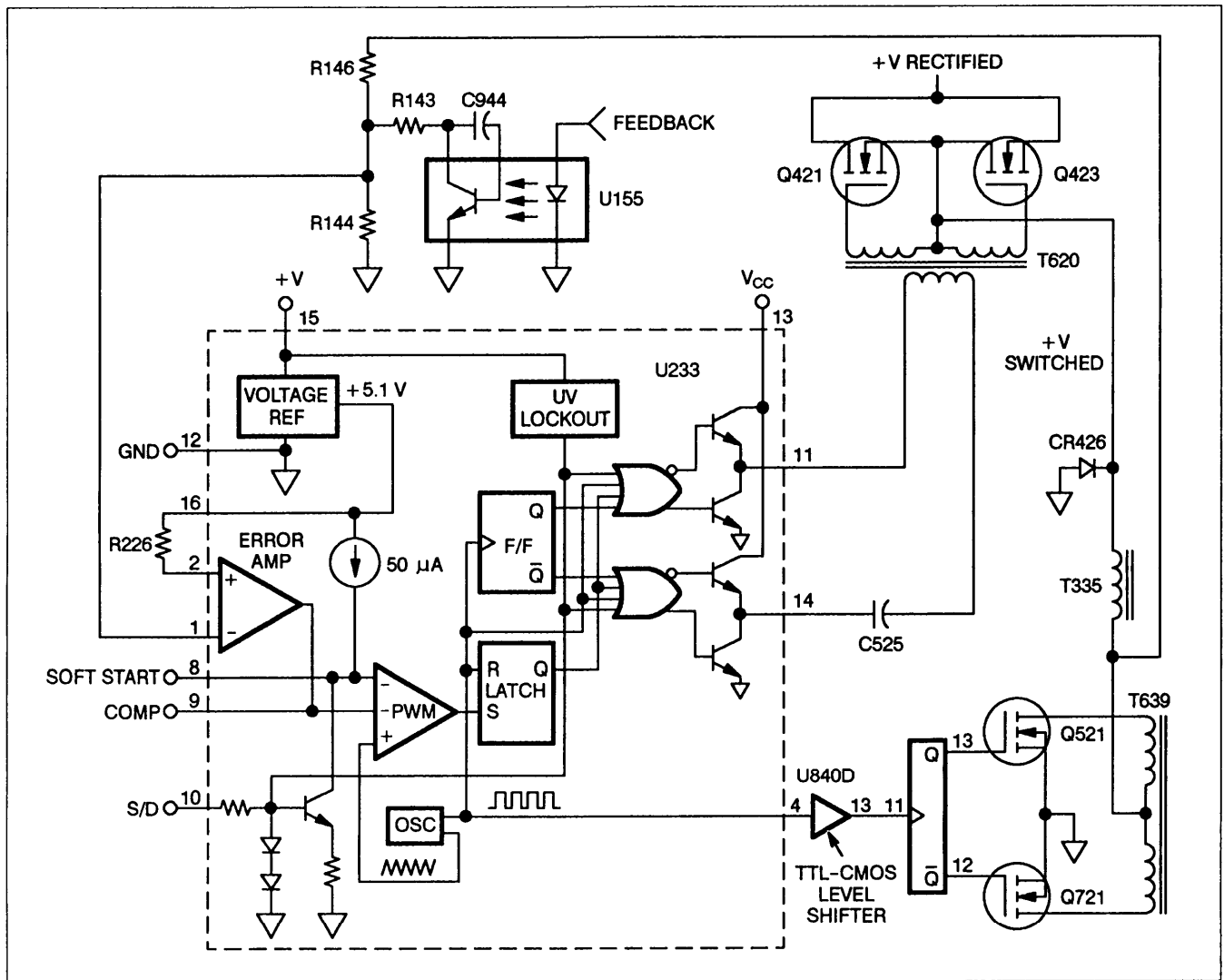


Figure 3-13. PWM Regulator and Inverter.

**PREREGULATOR START-UP.** As the supply for the Preregulator control IC is established, an internal oscillator begins to run. The oscillator generates a repetitive triangular wave (as shown in fig. 3-14) at a frequency determined primarily by R228 and C227 (with R227 having a minor effect since it controls the discharge time of timing capacitor C227).

As the control power supply turns on, a 50  $\mu$ A current source internal to U233 begins to charge capacitor C128 positive. This charging level, applied to one of the negative inputs of the PWM comparator, allows drive pulses of greater and greater duty cycle to be generated. These pulses drive the series switching transistors (Q421 and Q423), and their slow progression from narrow to wide causes the various secondary supplies to gradually build up to their final operating levels. This slow buildup

prevents a turn-on current surge that would cause the current-limit circuitry to shut down the supply.

**PREREGULATION.** Once the initial charging at power-up is accomplished (as just described), the voltage-sensing circuitry begins controlling the inverter switching action. The voltage level at the primary center tap of T639 is divided by sense string R146-R144, and the resulting voltage is applied to the error amplifier internal to U233 at pin 1. The + 5.1 V reference generated by U233 is applied to pin 2 of U233, the other input of the error amplifier. If the sensed level at pin 1 is lower than the reference level at pin 2 (as it always is for the first few switching cycles), the output of the error amplifier is high. This high level is applied to a negative input of the PWM comparator; the other negative input is applied from the soft-start capacitor (described previously).

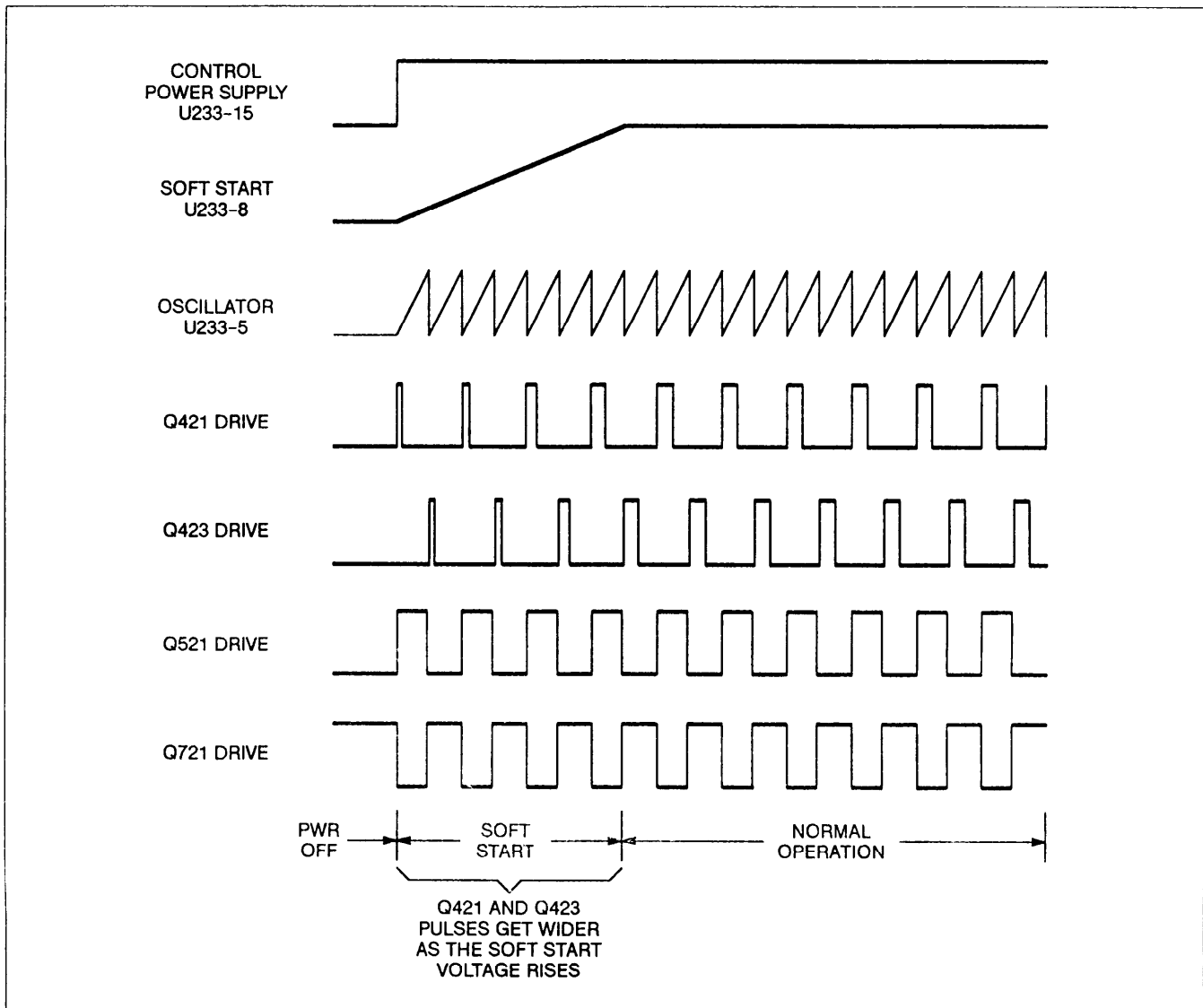


Figure 3-14. PWM switching waveforms.

The lower of the two negative input levels determines the actual negative comparison point of the PWM comparator; and this level determines the point at which the positive-going ramp, applied to the positive input, switches the PWM comparator to initiate the off state of the PWM switch. The PWM series switch is turned on at the beginning of each clock cycle; turn-off occurs when the positive-going ramp crosses the threshold level of the PWM comparator. The lower the level at the controlling (negative) input, the shorter the PWM switch "on time." Depending on the output level sensed, the duty cycle of the drive signal changes (sensed level rises or falls with respect to the triangular waveform applied to the positive PWM comparator input) to hold the secondary supplies at their proper levels.

Optoisolator U155 and resistor R145 form a control network that allows a voltage sensed at the FEEDBACK input to slightly alter the voltage-sense reference applied to pin 1 of U233. The FEEDBACK signal is generated by the +5 V Inverter Feedback amplifier (U189B, fig. FO-32) and indirectly related to the level of the +5 V<sub>o</sub> supply line. If the FEEDBACK signal goes above its nominal level (+5 V<sub>o</sub> is too low), base drive to the shunt transistor (in optoisolator U155) increases. This increase causes additional current to be shunted around R144 (via R145 and phototransistor of U155) and changes the ratio of the sensing divider. The voltage at the center tap of T639 must increase to balance out the changed sense ratio and maintain balance in the error amplifier. Since the output of the error amplifier controls the current to the primary

winding of the output transformer, and since the error amplifier sensing depends on a balanced condition, the voltage at the transformer primary increases.

With a higher current applied to the transformer primary, higher voltages appear across the secondary windings of T639 with each cycle. This causes the secondary voltages to return to their nominal levels. As the +5 V<sub>o</sub> line returns to its nominal level, base drive to the shunt transistor stabilizes at a level that keeps the sensed +5 V<sub>o</sub> level in regulation. Should the FEEDBACK signal level tend too high, opposite control responses occur. Further information about the FEEDBACK signal is given in the +5 V Inverter Feedback description.

### Inverter

The Inverter circuit alternately switches current through each leg of the primary winding of output transformer T639. The circuit is made up of Q521, Q721, U840D, U829B, and associated components.

A clock pulse from U233 is applied to a TTL-CMOS level shifting buffer (U840D) at the beginning of every switching cycle. The level-shifted clock pulse at the output of U840 clocks U829B, a CMOS D-type flip-flop (configured to toggle with each clock). The Inverter switch transistors, Q521 and Q721, are alternately turned on and off by the flip-flop outputs and are connected to opposite ends of the primary winding of the output transformer. Driving the inverter switches in alternate fashion produces AC currents in the secondary windings of the output transformer that are rectified, providing the various unregulated DC supply voltages.

### Primary Fault Sensing

Primary current, primary regulated voltage, and primary unregulated voltage are monitored by circuitry to prevent catastrophic failure. Should conditions arise that cause an excessive primary current or an excessive primary regulated voltage, limiting occurs. The excessive primary current and primary regulated voltage functions share much common circuitry, while the low unregulated primary voltage circuitry is entirely independent of the first two fault-sensing circuits.

**PRIMARY OVER-CURRENT SENSING.** The primary current of T639 through R727 produces a voltage signal that is filtered by R728 and C728 to remove high-frequency switching spikes. The filtered signal is applied to the inverting input of U840C. The noninverting input of the comparator is set at a level defined by the +5.1 V reference from U233 and voltage divider R935-R836. If an excessive-current condition exists (to the point that the inverting input of U840C goes more positive than the noninverting input), the comparator output goes low. The open-collector output of the comparator is "wire-ORed" with the open-collector output of the regulated primary over-voltage comparator

(U840B) and drives U840A, connected as an inverting buffer. Buffer U840A drives the clock input of a CMOS flip-flop in U829, configured as a monostable flip-flop, used to shut down supply operation.

**PRIMARY OVER-VOLTAGE SENSING.** The regulated primary voltage is sensed by the voltage divider R129-R128, with C528 providing low-pass filtering to remove high-frequency switching spikes. The attenuated signal is applied to comparator U840B at the inverting input, while the noninverting input is connected to the +5.1 V reference from U233. Should the regulated primary voltage become high enough to raise the inverting input of the comparator more positive than the noninverting input, the comparator output goes to a low level. As previously stated, the output of this comparator is wire-ORed to the output of U840C and drives an inverting clock buffer U840A. This buffer in turn drives the clock input of the monostable flip-flop circuit used to shut down supply operation.

**SHUTDOWN TIMER.** The Shutdown Timer ensures that the preregulator series switch remains off long enough for energy stored in C128 (the soft-start capacitor) and C244 (the Control Power Supply energy-storage capacitor) to drain down via normal circuit loading should an over-current or over-voltage fault occur. Shutdown of the series switch (Q421 and Q423) occurs when the S/D (shutdown) input (pin 10) of U233 goes high. The Shutdown Timer, made up of U829A, R824, C829, R934, CR730, and CR824, controls this input.

Prior to being clocked, U829A (configured as a monostable flip-flop) is in a reset state with its Q output set low. This is the normal operating mode and allows the series switch to be controlled by the regulating functions of U233. Capacitor C829 charges to the Control Power Supply voltage via R824 and CR824 (diode CR824 shunts R932 when charging C829 to provide a relatively fast charging path). When the flip-flop is clocked (indicating fault-sense from the voltage- or current-sense circuits), the Q output goes high and C829 begins to discharge. With Q high, CR824 becomes reverse biased so that discharge of C829 is through R932, providing a relatively slow discharge compared to the charging time. This ensures that the Q output of U829A is held high long enough for soft-start capacitor C128 and Control Power Supply capacitor C244 to fully discharge.

The high Q output of U829A, connected to the S/D (shutdown) input to U233, turns off the PWM switch (Q421 and Q423) immediately and keeps it off until Q returns low (when the Control Power Supply decays and turns U829 off). However, the PWM clock continues to run and the Inverter switches (Q521 and Q721) continue to operate. Since the PWM switch is not operating, energy is not transferred to the Control Power Supply via T335, and C244 discharges below the minimum voltage level required by the Control Power Supply circuit (through the normal circuit load). When this minimum level is reached,

the Control Power Supply regulator disconnects from C244, interrupting the power to the control circuitry and stopping the Inverter switches.

Monostable U829A is designed to remain active long enough for the Control Power Supply to decay and disconnect. The disconnect level is approximately half of the Control Power Supply voltage and, once disconnected, supply voltage is reestablished in 0.5 to 2 seconds. The time it takes C244 to charge from the "disconnect threshold" to the Control Power Supply "turn-on threshold" is the dominant factor in determining the power supply restarting time when recovering from an over-current or over-voltage fault condition.

Capacitor C829 is once again charged through R824 and CR824 with a relatively short time constant, allowing U829A to be triggered again (if the fault persists) by the time the Control Power Supply restarts.

### Line Up

The Line Up circuit, composed of U834B, U265, and associated components, senses the level of the rectified line voltage and relays its status through the POWER UP circuit to the System Processor. The signal from voltage divider R325-R835 is low-pass filtered by C835 and is applied to the inverting input of comparator U834B. The noninverting input of the comparator is referenced to the +5.1 V reference from U233. The output of the comparator drives the light-emitting diode of optoisolator U265, so whenever the rectified line-input voltage is below the normal operating level (approximately +178 V), the light-emitting diode (LED) is off. With the LED off, the output phototransistor of U265 is biased off.

At instrument turn-on, after the rectified line voltage comes up, the Control Power Supply begins supplying power to the control circuitry. At that time, the output of comparator U834 goes LO at pin 7 to turn on the LED in optoisolator U265. This action biases on the output transistor of the optoisolator and switches the LINE UP signal HI. Through the PWRUP signal circuitry, a HI LINE UP signal tells the System Processor that ample line voltage is available for normal instrument operation.

When instrument power is turned off, the rectified line voltage begins dropping. At about 178 V, comparator U834 switches off the LED in U264, and the LINE UP signal goes LO. A LO output tells the System Processor that power is dropping, and the Processor begins shutting the instrument down in an orderly fashion before the secondary voltages go out of regulation.

### Line Trigger PO

The Line Trigger PO circuit, made up of T415, U170A, and the associated components, provides a representa-

tion of the input line signal to the Trigger stage that is isolated from the power-line environment.

Since resistors R516 and R518 are large compared to the impedance of the primary winding in T415, the transformer operates in a current-driven mode. The secondary winding of T415 is connected to a transresistance amplifier stage consisting of U170A, C483, and R483. This amplifier presents a very low impedance to the output of the transformer and maintains the integrity of the line voltage signal representation. Capacitor C483 provides a negative-feedback path to high frequencies (relative to 60 Hz) and reduces noise on the line-frequency signal. The output of the transresistance amplifier drives the oscilloscope trigger circuitry.

### Secondary Rectifiers

The Rectifiers convert the alternating currents from the secondary windings of the Inverter output transformer to the various unregulated DC voltages required by the instrument. Rectification is done by conventional diode rectifier circuits, and filtering is done by conventional LC net works.

## LOW-VOLTAGE REGULATORS

The Low-Voltage Regulators (fig. FO-32) remove AC voltage noise and ripple from the various unregulated DC supply voltages. Each regulator output is automatically current limited if the output current exceeds the requirements of a normally functioning instrument. This limiting prevents any further component damage.

### +10 and -5 V References

Each of the power supply regulators controls its respective output by comparing the output voltage to a known reference level. In order to maintain a stable supply voltage, the reference voltage must itself be highly stable. The circuit composed of U180, U170B, U900, and associated components produces the two reference levels used by the regulator circuits.

Resistor R566 and capacitor C664 form an RC filter network that smooths the unregulated +15 V supply before it is applied to voltage-reference IC U180. The +10 V output from pin 6 of U180 feeds a low-pass filter composed of R900 and C900. The output of this filter in turn feeds unity-gain buffer amplifier U900, the output of which is the source of the +10 V reference used by the various positive regulators. Low-pass filter R900-C900 provides filtering for the IC voltage reference and provides for a well-defined voltage rise of the +10 V<sub>REF</sub> voltage at power-up.

Operational amplifier U170B and its associated components make up a -5 V Reference circuit used as the reference for the negative regulators. It is configured as

an inverting amplifier with a gain of 1/2 and converts the + 10 V<sub>REF</sub> input to a precision -5 V<sub>REF</sub> output.

### +15 V Regulator

The + 15 V Regulator uses three-terminal regulator U579 and operational amplifier U570A (arranged as the voltage sensor) to achieve regulation of the + 15 V supply. The three-terminal regulator holds its output voltage on pin 2 at 1.25 V more positive than the reference input level applied to pin 1. The voltage at the reference pin is established by current in diode CR575 and is controlled by voltage sensor U570A.

Resistors R576 and R575 at the regulator output divide the +15 V level down for comparison to the +10 V reference applied to pin 3 of operational amplifier U570A. At initial power up, when the input voltage at pin 2 (from the divider) is lower than the + 10 V reference, the output of amplifier U570A is high, and the output voltage is allowed to rise. As the regulator output reaches + 15 V, the amplifier begins sinking current away from the reference pin of the three-terminal regulator via diode CR575. This sets the voltage on the reference pin at its nominal level and holds the output at + 15 V.

Current limiting for the +15 V supply is provided by the internal circuitry of the three-terminal regulator. Diodes CR576 and CR583 protect U570A from transient voltage reversals.

### + 8 V Regulator

The + 8 V Regulator is composed of Q465, Q479, U470A, U470B, and the associated components. The circuit regulates the voltage and limits the supply current.

Initially, as power is applied, the voltage at pin 6 of U470B via R476 is lower than the + 8 V reference level applied to pin 5 via divider R465 and R466. The output of U470B is forced HI, reverse biasing diode CR466. With CR466 (and CR465) off, all the current through R565 is supplied as base current to Q465, turning it on. This turns on the pass transistor Q479 at maximum current. This current charges up the various loads on the supply line and the output level moves positive.

As the regulator output rises toward + 8 V, this positive-going voltage is applied to the inverting input of U470B through R476. When the output voltage reaches + 8 V, the inverting input equals the reference at the noninverting input set by R465 and R466. Then, the output at pin 7 of U470B goes negative, forward biasing diode CR466 and shunting base-drive current away from Q465. This reduces the currents through Q465 and Q479 to levels that maintain a + 8 V output. Since base drive source for Q465 is the + 15 V supply, via R565, proper relative polarity between the two supplies is assured

(preventing component damage in case of a failure on the + 15 V supply line).

The over-current limiting circuit is of foldback design and is performed by operational amplifier U470A and its associated components. Under normal current demand conditions, the output of U470A is HI, keeping diode CR465 reverse biased. If the regulator output current exceeds approximately 1.3 A (as it might if a component fails), the voltage drop across R473 (added onto the + 8 V output voltage) causes the inverting input of U470A to exceed the + 8 V level at the noninverting input, and the output at pin 1 will go LO. This forward biases diode CR465 and reduces the forward bias on Q465 and thereby decreases the bias current to Q479. This in turn reduces the regulator output current through Q479 to decrease the output voltage. As the output voltage drops (applied to U470A pin 3), the output current required to cause limiting also decreases, causing both voltage and current to drop to low values as Q465 becomes biased off.

Pin 2 of U470A is pulled down through R477 to the -8 VA supply so that the output of the foldback circuit becomes immediately HI at power-on. This initial HI holds CR465 biased off thereby preventing a false overcurrent sense and subsequent latchup at start-up as the + 8 V regulated output seen on pin 3 of U470A rises from 0 V to its normal operating level.

### + 5 V Regulator

Regulation of the + 5 V supply is provided by a circuit similar to that of the + 8 V Regulator. As long as the relative polarity between the + 8 V supply and the + 5 V supply is maintained, base drive to Q870 is supplied through R864. The current through Q870 provides base drive for the series-pass transistor Q879.

When voltage-sense amplifier U870B detects that the + 5 V remote-sense voltage has reached + 5 V, it begins shunting base-drive current away from Q870 via diode CR866 and holds the output voltage constant.

Current limiting for the +5 V supply is done by U870A and associated components. Under normal current demand conditions, the output of U870A is high and diode CR865 is reverse biased. However, should the current through current-sense resistor R873 reach approximately 3 amperes, the voltage developed across R873 (added to the regulated + 5 V output) raises the voltage at pin 2 of U870A (via divider R876 and R875) to a level equal to that at pin 3. This causes the output of U870A to go low, forward biasing CR865. Base drive current is then shunted away from Q870, and the output current in Q879 is reduced. Resistor R874 allows the supply to maintain regulation with the remote-sense line disconnected. Resistors R875 and R877 provide enough initial current to the load to prevent an excessive-current latchup of U470A as the power comes up.

### -15 V Regulator

Operation of the -15 V Regulator, composed of U679, U570B and their associated components, is similar to that of the + 15 V Regulator already described. The regulator is referenced to -5 V to allow sensing of the negative output level. Zener diode VR870 allows operational amplifier U570B to operate in its active region. Capacitor C873 is a speed-up capacitor that allows the regulator to respond more quickly to current surges and other transients and provides filtering of zener noise produced by VR870.

### -8 V Regulator

Operation of the -8 V regulator is nearly identical to that of the + 8 V Regulator, except that it is referenced to -5 V to allow sensing of negative voltages. Zener diode VR380 allows operational amplifiers U270A and U270B to operate in their linear regions.

The -8 V Sense input provides for remote sensing of the supply level on the Main board where regulation is the most critical. Since the -8 V level is remotely sensed, the IR drop caused by the impedance in the supply bus lines going to the main board and a small series resistor in the line (R121 on the Main board) causes the actual output level from the supply regulator to be closer to -8.4 V. (This is the voltage actually required by some of the -8 V load circuits.) Resistor R388 allows the supply to maintain regulation with the remote sense line disconnected. Current limiting of the combined -8 V and -8.3 V supplies occurs at about 3 amperes.

### -5 V Regulator

Operation of the -5 V Regulator is similar to that of the + 5 V Regulator. Current limiting of the -5 V supply occurs at about 3.1 amperes.

### + 5 V Preregulator Feedback

Operational amplifier U189 and associated components are configured as a frequency-compensated voltage-sensing network. The circuit monitors the + 5 V digital power supply line from the rectifiers and provides feedback to the Preregulator Control IC (U233) via optoisoiator U155 (both on fig. FO-31). The feedback is used to trim the + 5 V<sub>D</sub> level by controlling the Preregulator. The FEEDBACK signal slightly varies the voltage to the Inverter output transformer and holds the output of the 5 V secondary windings at an optimum level. Output levels of the other secondary windings are related by

turns ratio to the + 5 V<sub>D</sub> level and are also held at their optimum levels. This technique minimizes power losses in the series-pass transistors and increases regulator reliability.

### Power-Up

The Power-Up circuit, composed of U189A, Q295 and the associated components, provides buffering and level shifting of the LINE UP signal to the System Processor.

Operational amplifier U189A is configured as a comparator referenced to + 10 V<sub>REF</sub>. When adequate power-line input voltage is available, the LINE UP signal will be HI. The output of the comparator will be LO, turning off transistor Q295. This results in a HI PWRUP signal to the System Processor, indicating that the power supplies are stable. When adequate power-line voltage is not available, the LINE UP signal from the Preregulator circuit goes LO, the output level of U189A goes HI and turns Q295 on, resulting in a LO PWRUP signal to the System Processor. This indicates that the various supply voltages may go out of regulation in about 10 ms.

Capacitor C1 95 provides a negative-feedback path for high-frequency signals and stabilizes operation of U189A.

### DC OK Sense

The output of the DC OK Sense circuit is checked by the System Processor after it receives the PWRUP signal to verify that power supply voltages are within tolerance.

By itself, the resistive summing network made up of R794, R795, R797, R686, R688 and R796 would produce a voltage near 0 V if all supplies were within tolerance. This voltage may vary  $\pm 0.19$  V, depending on slight variations in the individual supply output levels. The current in resistor R396 is, however, added into the summing node and shifts its operating point approximately 0.19 V positive.

The resulting voltage is compared to ground by comparator U395B and to +0.37 V by comparator U395A, establishing the tolerance window. Both open-collector outputs of the comparator are off, and the DCOK signal is HI, as long as the summing-node voltage falls within this window. Should the summing-node voltage exceed either limit, the associated comparator turns on its output transistor and pulls the DCOK signal LO, indicating that at least one of the power supplies is not operating properly.



# Section 4

## PERFORMANCE CHECK AND FUNCTIONAL VERIFICATION PROCEDURE

### NOTE

Perform the SELF-CAL procedure before doing this procedure. The Self Calibration procedure is part of Section 5 of this manual.

### INTRODUCTION

Use this procedure to verify proper operation of instrument controls and to check the instrument's performance against the requirements listed in Section 1. This procedure verifies instrument function and may be used to determine need for readjustment (all internal adjustments should be referred to qualified service personnel). These checks may also be used as an acceptance test.

Do not remove this instrument's cabinet to perform this procedure. All checks are made using the operator-accessible front- and rear-panel controls and connectors.

Within the procedure, there are steps that verify proper operation of instrument controls or functions that are not specified as Performance Requirements in Section 1. These steps use the word "VERIFY" when indicating the characteristic for which to test. The functions tested by these steps ARE NOT Performance Requirements and should not be interpreted as such. Steps to check Performance Requirements use the word "CHECK," rather than "VERIFY."

### PREPARATION

THIS PROCEDURE ASSUMES THAT OPERATORS ARE SUFFICIENTLY ACQUAINTED WITH INSTRUMENT OPERATION TO SET IT UP AS DIRECTED IN THE PROCEDURE STEPS. Refer to the *Operators and Unit Maintenance Manual* if instructions for obtaining the various operation modes of this instrument are needed.

Test equipment items 1 through 20 listed in Table 4-1 are required to perform this procedure. The specific pieces of equipment required to perform the checks

within each subsection are listed at the beginning of that subsection. The item numbers in parentheses next to each piece of equipment refer to the numbered equipment list of Table 4-1. Items 21 and 22 are used for instrument calibration only (see the Adjustment Procedure – Section 5).

Before performing this procedure, ensure that the LINE VOLTAGE SELECTOR switch is set for the AC power source being used (see "Preparation for Use" in Section 2 of this manual). Connect the instrument to be checked and the test equipment to an appropriate power source. Turn the instrument on and ensure that no error message is displayed on the CRT. If an error message is present, have the instrument repaired by a qualified service technician before performing this procedure.

This procedure is divided into subsections (VERTICAL SYSTEM, TRIGGERING SYSTEM, etc.), and further into steps (Verify CH 1 and CH 250  $\Omega$  Overload Protection, etc.). This arrangement allows verification of the functionality of the instrument's individual sections, as well as its conformance to individual specifications, without requiring performance of the entire procedure. Any number of steps (in any order) can be performed as long as ALL the parts of a step are performed in sequence and in their entirety.

BEFORE PERFORMING THE REMAINDER OF THIS PROCEDURE, DO THE "INITIAL SETUP" AT THE BEGINNING OF THE PROCEDURE STEPS. The Initial Setup is a procedure for setting up and storing a complete front-panel setup that can be recalled. When performing almost any step in this procedure, the first part (part a) requires that this stored front-panel setup be recalled and specifies the changes (if any) to be made to that setup. Make ONLY those changes specified; do not change any

other control settings (including vertical and horizontal position settings).

**NOTE**

*This instrument must be powered up for at least 20 minutes before performance requirements can be checked.*

“Select” means to press the appropriate front panel button to obtain the stipulated menu on the CRT screen. “Set,” when preceded by a menu selection, indicates the stipulated menu function should be turned on or off by pressing the appropriate menu button. The function will appear underlined in the menu when turned on, not underlined when turned off. Control settings not listed do not affect the procedure.

**Table 4-1  
Cross Reference for Test Equipment**

Description	Suggested	U.S. Army Equivalent
1. Leveled Sine-Wave Generator	TEKTRONIX SG 503 <sup>1</sup>	Bal. 6126M
2. Calibration Generator	TEKTRONIX PG 506 <sup>1</sup>	Bal. 6126M
3. Time-Mark Generator	TEKTRONIX TG 501 <sup>1</sup>	Bal. 6126M
4. Function Generator	TEKTRONIX FG 502 <sup>1</sup>	
5. Power Supply	TEKTRONIX PS 503A <sup>1</sup>	MIS-30526
6. Digital Voltmeter (DMM)	TEKTRONIX DM 501A <sup>1</sup>	TEK DM 501A
7. GPIB Controller	TEKTRONIX 2402A Tekmate with DSO Utility Software (S37UT01).	F3702A1
8. GPIB Cable	TEKTRONIX Part Number 012-0630-03	
9. Coaxial Cable (2 required)	TEKTRONIX Part Number 012-0057-01	012-0057-01
10. Precision Coaxial Cable	TEKTRONIX Part Number 012-0482-00	Bal. 6126M
11. Termination	TEKTRONIX Part Number 011 -0049-01	011-0049-01
12. 10X Attenuator (2 required)	TEKTRONIX Part Number 011-0059-02	
13. 5X Attenuator	TEKTRONIX Part Number 011-0060-02	
14. 2X Attenuator	TEKTRONIX Part Number 011-0069-02	
15. 10X Probe (supplied with instrument)	TEKTRONIX P6131	TEK P6131
16. 1X Probe	TEKTRONIX P6101A	TEK P6101A
17. Dual-Input Coupler	TEKTRONIX Part Number 067-0525-01	067-0525-02
18. BNC Female-to-Dual Banana Adapter (2 required)	TEKTRONIX Part Number 103-0090-00	7907592
19. Sine-Wave Oscillator	TEKTRONIX SG 502 <sup>1</sup>	
20. Pulse Generator	TEKTRONIX PG 502 <sup>1</sup>	
21. Alignment Tool	TEKTRONIX Part Number 003-0675-00	
22. Normalizer	TEKTRONIX Part Number 067-0537-00	7916146

<sup>1</sup>Requires a Tektronix TM 500 Series Power-Module Main-frame.

## INITIAL SETUP

- a. Select PRGM.

Push: INIT PANEL

Select: TRIGGER MODE

Set: AUTO .....On

Select: VERTICAL MODE

Set: CH2 .....On

Select: CH 1 COUPLING/INVERT

Set: 50 Ω ON/OFF ..... ON

Select: CH 2 COUPLING/INVERT

Set: 50 Ω ON/OFF .....ON

Set: ASEC/DIV ..... 500 μs

- b. Select the A/B TRIG button to enable the B Trigger System.

- c. Select TRIGGER MODE to display B TRIG mode menu and set TRIG AFTER on. Select the A/B TRIG button to return to the A Trigger System.

- d. Select STORAGE ACQUIRE and set REPETON/OFF ON. Repeatedly press the menu button labeled AVG until a "16" appears above the AVG. Repeatedly press the ENVELOPE button until a "16" appears above ENVELOPE. Set NORMAL back on.

- e. Select PRGM to display the AUTOSTEP SEQUENCER menu. Press SAVE in the main menu to display the SAVE Sequence menu.

- f. Use the arrows under ROLL-CHARS to create a label (use FPNL) for the front-panel setup outlined herein steps 1-3:

1. Select the first character for the label. Use the arrow-labeled buttons to select the first letter for the sequence label. Press the ↓ button to step forward in the alphabet and digits (0-9) and the ↑ button to step backwards. Holding down the buttons moves through the characters continuously; a single press moves forward or backward one character. (There is a "blank space" character between the digit 9 and letter A.)

2. When the letter for the first character of the label is displayed, push CURSOR < > to move to the next character. Repeat step 1 to select the letter for the next character of the label.

3. Repeat last step until "FPNL" is spelled out. (Any character can be returned to for editing by continually pushing the CURSOR < > button, since it reverses the selection order after the first and sixth character is selected.)

- g. Push the menu button labeled SAVE when the label is complete.

### NOTE

*In part h, Trigger Mode is set back to AUTO LEVEL. (AUTO LEVEL was initially turned off to make the front-panel changes in parts a through g faster to set.) Throughout the remainder of this Performance Check procedure, the scope is switched to AUTO LEVEL when the initial setup is recalled, providing automatic triggering of displays. If preferred, you can switch to AUTO and use INIT @50% and/or the TRIGGER LEVEL control to trigger manually. When AUTO is the required mode for a procedure (such as for checking the Trigger Level Readout accuracy, etc.) AUTO is specified in that procedure. Occasionally, AUTO LEVEL may fail to find a stable trigger if you connect the triggering signal to the front panel between auto-level cycles; if so, push INIT @50% to obtain the triggered display.*

- h. Pushing the menu button saves the label for the sequence and displays the message "SETUP CONTROLS, PUSH PRGM TO CONTINUE." Select TRIGGER MODE and set AUTO LEVEL back on. DO NOT CHANGE ANY OTHER FRONT PANEL SETTING AT THIS TIME. Do not select any actions. Instead, save the current front-panel setup by doing the following:

1. Push the front-panel button PRGM. This will bring up the action selection menu.
2. Do not select any actions. Push the menu button labeled SAVE SEQ to store the sequence under the label "FPNL. "

- i. Later in this procedure, when instructed to recall the "Initial Front-Panel Setup," perform the following steps:

1. Push PRGM to display the main SEQUENCER menu.
2. Push RECALL in the main menu to display the menu used for recalling the front-panel Setup.
3. Use the arrow-labeled buttons to move the underline to the label "FPNL. "
4. Push RECALL and the front-panel settings will change to those settings that were stored for FPNL.

**NOTE**

*Remember this four-step procedure for recalling FPNL.*

*The following steps turn the Trigger Point indicator (a small "T" displayed on waveforms) and the BELL on for use in this procedure. These functions cannot be stored in the front-panel setup, but remain in effect until changed by the operator. Leave these functions turned on for the remainder of this procedure.*

- j. Press the MENU OFF/EXTENDED FUNCTIONS button twice to display the EXTENDED FUNCTION menu. Press the menu button labeled SYSTEM (menu will change).
- k. Press the menu button labeled MISC (menu will change). Set TRIG T ON/OFF and BELL ON/OFF to ON for the displayed menu.
- l. Press MENU OFF/EXTENDED FUNCTIONS to exit the extended functions.

# VERTICAL SYSTEM

## NOTE

Before performing the steps in this subsection, perform the INITIAL FRONT PANEL CONTROL SETUP at the beginning of this procedure.

### Equipment Required (see table 4-1)

Leveled Sine-Wave Generator (Item 1)	5X Attenuator (Item 13)
Calibration Generator (Item 2)	2X Attenuator (Item 14)
Power Supply (Item 5)	1X Probe (Item 16)
Coaxial Cable (Item 9)	Dual-Input Coupler (Item 17)
Precision Coaxial Cable (Item 10)	BNC Female-to-Dual Banana Adapter (Item 18)
10X Attenuator (Item 12)	

### 1. Verify CH 1 and CH 250 Ω OVERLOAD Protection.

#### NOTE

Changing Front Panel settings before the scope has recovered from a 500 Overload condition may cause the scope to “lock up.” If the scope locks up, remove the cause of the overload and press the POWER switch off and then on.

- a. Recall the Initial Front-Panel Setup, labeled “FPNL” (see step i in “INITIAL SETUP” at the start of this procedure). Make the following changes to the front-panel setup:

Set: CH 1 VOLTS/DIV . . . . . 1V  
 CH 2 VOLTS/DIV . . . . . 1V

Select: VERTICAL MODE

Set: CH2 . . . . . Off

Select: CH 1 COUPLING/INVERT

Set: 50 W ON/OFF . . . . . OFF

Select: CH 2 COUPLING/INVERT

Set: 50 W ON/OFF . . . . . OFF

- b. Connect the Power Supply (Power Supply should be turned off) to the CH 10R X input connector via a BNC Female-to-Dual Banana adapter and a Coaxial Cable.
- c. Using the CH 1 VERTICAL POSITION control, align the trace to the bottom graticule line.
- d. Turn on the Power Supply.

- e. Adjust the Power Supply output level until the CH 1 trace rises to 1 division above the center graticule line (5 V).
- f. Select CH 1 COUPLING/INVERT and set 50 Ω ON/OFF to ON.
- g. VERIFY— For a period of 1 minute, the readout display does not indicate any overload condition (50 Ω OVERLOAD).
- h. Set 50 Ω ON/OFF to OFF and the CH 1 VOLTS/DIV to 5 V.



To prevent damage to the input circuitry when in 50 Ω DC coupling mode, the 20 V Power Supply should be turned off immediately if automatic OVERLOAD switching does not occur within 15 seconds after applying the power source and setting the 50 Ω coupling on in part j.

- i. Increase the Power Supply output level until the CH 1 trace rises to the center graticule line (+20 V).

#### NOTE

When setting 50 Ω ON/OFF to ON, note that the Power Supply has adequate current outputs to keep the voltage level at +20 V.

- j. Set 50 Ω ON/OFF to ON.
- k. VERIFY –Approximately 10 seconds (no longer than 15 seconds) after CH 1 50 Ω ON/OFF is set to ON, the readout display indicates “50 Ω OVERLOAD” and the CH 1 COUPLING switches to GND.

- l. Turn the Power Supply off.
- m. Disconnect the Power Supply.
- n. Clear the 50 Ω OVERLOAD condition by setting CH 1 COUPLING to DC.
- o. VERIFY—The readout display no longer indicates “50 Ω OVERLOAD” and the CH 1 COUPLING/INVERT menu indicates DC on.
- p. Select VERTICAL MODE and set CH 1 off and CH 2 on.
- q. Repeat b through o using CH 2 control settings and input to verify 50 Ω OVERLOAD protection for CH 2.

**2. Check CH 1 and CH 2 AC/DC/GND COUPLING/INVERT Modes.**

- a. Recall the Initial Front-Panel Setup, labeled “FPNL” (see step i in “INITIAL SETUP” at the start of this procedure). Make the following changes to the front-panel setup:

Set: CH 1 VOLTS/DiV . . . . . 200 mV  
 CH 2 VOLTS/DIV . . . . . 200 mV

Select: VERTICAL MODE  
 Set: CH2 . . . . . Off

Select: CH 2 COUPLING/INVERT  
 Set: 50 Ω ON/OFF . . . . . OFF  
 GND . . . . . On

Select: CH 1 COUPLING/INVERT  
 Set: 50 Ω ON/OFF . . . . . OFF  
 GND . . . . . On  
 Set: A SEC/DIV . . . . . 5 ms

- b. Connect the Calibrator output signal to the CH 1 OR X input connector using a 1X probe.
- c. Set the CH 1 COUPLING/INVERT menu to DC on. (A GND symbol disappears next to the CH 1 scale factor readout in upper left-hand corner of CRT.)
- d. CHECK – Display for a square wave which steps positive (upwards) approximately 2 divisions from the center horizontal graticule line.
- e. Set CH 1 COUPLING to AC (a sine wave symbol appears next to the CH 1 scale factor readout).
- f. CHECK – Display for a tilted square wave of approximately 2 divisions (average) amplitude centered vertically around the center horizontal graticule line.

- g. Set 50 Ω ON/OFF to ON (the sine wave symbol is replaced by an ohm symbol next to the CH 1 scale factor readout).

**NOTE**

*Amplitudes are less than 1 division (200 mV) for checks h and j since the 1X probe’s resistance is significant when compared to the 50 inputs of the scope.*

- h. CHECK – Display for a square wave which steps positive (upwards) approximately 0.5 division from the center horizontal graticule line. VERIFY—That CH 1 COUPLING automatically switched from AC on to DC on.
- i. Set INVERT ON/OFF to ON (an inverted arrow appears left of the CH 1 scale factor readout).
- j. CHECK – Displayed square wave now steps downwards from the center horizontal graticule line and is approximately 0.5 division in amplitude.
- k. Select VERTICAL MODE and set CH 2 on and CH 1 off. Select CH 2 COUPLING/INVERT to display that menu.
- l. Move the 1X Probe from the CH 1 input connector to the CH 2 input connector.
- m. Repeat parts c through j using the CH 2 input and controls.
- n. Disconnect the test setup.

**3. Check CH 1 and CH 2 VOLTS/DIV Display and Readout Accuracies. Check the A and B TRIGGER LEVEL Readout Accuracies.**

- a. Retail the initial Front-Panel Setup, labeled “FPNL” (see step i in “INITIAL SETUP” at the start of this procedure). Make the following changes to the front-panel setup:

Select: VERTICAL MODE  
 Set: CH2 . . . . . Off

Select: CH 1 COUPLING/INVERT  
 Set: 50 Ω ON/OFF . . . . . OFF

Select: CH 2 COUPLING/INVERT  
 Set: 50 Ω ON/OFF . . . . . OFF

Select: BANDWIDTH  
 Set: 20 MHz . . . . . On

Select: TRIGGER MODE  
 Set: AUTO . . . . . On

- b. Connect the Calibration Generator's STD AMPLITUDE output to the CH 1 OR X input connector via a Coaxial Cable. Do not use a Termination.
  - c. CHECK— CH 1 and CH 2 VOLTS/DIV and TRIGGER LEVEL readout accuracies as follows:
    1. Set VOLTS/DIV control to the first position listed in Table 4-2.
    2. Set the Calibration Generator STD AMPLITUDE output level to the corresponding Standard Amplitude Out level in Table 4-2. Use the TRIGGER LEVEL control as necessary to obtain a stable display.
- NOTE
- To properly verify TRIGGER LEVEL readout accuracy, the Calibration Generator's output must have rising and falling transition times (10% to 90%) > 20 ns. No overshoot should appear on the waveform.*
3. Verify that the Calibration Generator output meets the requirements noted above.
  4. Use the VERTICAL POSITION control to set the bottom of the signal 3 divisions below graticule center.
  5. Select CURSOR FUNCTION and set VOLTS on.
  6. Using the CURSOR/DELAY control, align the selected cursor (segmented) with the bottom of the displayed waveform.
  7. PUSH the CURSOR SELECT button to select the other cursor (it will change from solid to segmented).
  8. Use the CURSOR/DELAY control to align this cursor to the top of the waveform. Take care to use the same reference points (top edge, bottom edge, or center) of the waveform and cursor as in subpart 6.
  9. CHECK—That the voltage reading displayed by the cursor readout is within the limits given in Table 4-2 under the CURSOR VOLTS Readout Accuracy-NORMAL MODE column.
  10. Select STORAGE ACQUIRE and set ENVELOPE on.
  11. Using the CURSOR/DELAY control, readjust the cursors as necessary to align them to the top or bottom (discount noise) of the waveform. Press CURSOR SELECT as needed to toggle between the two cursors.
  12. CHECK —That the voltage reading displayed is within the limits given in Table 4-2 under the CURSOR VOLTS Readout Accuracy-ENVELOPE MODE column.
  13. Set the ACQUIRE menu back to NORMAL on.
  14. Set the TRIGGER LEVEL control at the most positive voltage that produces a barely triggered, jittering display for the positive (+) setting for the slope switch.
  15. CHECK —The A Trigger Level readings (upper-right corner of display) are within the limits listed in the (+) Peak column under Limits-DC Coupling in Table 4-2.
  16. Set the TRIGGER LEVEL control at the most negative voltage that produces a barely triggered, jittering display for negative (-) setting for the slope switch.
  17. CHECK —The A Trigger Level readings are within the limits listed in the (-) Peak column under Limits-DC Coupling in Table 4-2.
  18. Set the TRIGGER LEVEL control for a stable display.
  19. Press the A/B TRIG button to set the B Trigger System on.
  20. Set HORIZ MODE to B.
  21. Set the TRIGGER LEVEL control at the most positive voltage that produces a barely triggered, jittering display for the positive (+) setting for the slope switch.
  22. CHECK —That the B Trigger Level readings (upper-right corner of display) are within the limits listed in the (+) Peak column under Limits-DC Coupling in Table 4-2.
  23. Set the TRIGGER LEVEL control at the most negative voltage that produces a barely triggered, jittering display for negative (-) setting for the slope switch.
  24. CHECK — That the B Trigger Level readings are within the limits listed in the (-) Peak column under Limits-DC Coupling in Table 4-2.
  25. Set the HORIZ MODE to A.
  26. Press the A/B TRIG button to set the A Trigger System on.
  27. Set the VOLTS/DIV control to the next position listed in Table 4-2.
  28. Set the Calibration Generator STD AMPLITUDE output level to the corresponding Standard Amplitude Out level in Table 4-2.

**Table 4-2**  
**Accuracy Limits CH 1 and CH 2 CURSOR VOLTS Readout**  
**and A and B TRIGGER Readouts**

VOLTS/ DIV Control	Standard Amplitude Out	CURSOR VOLTS Readout Accuracy		TRIGGER LEVEL Readout	
		NORMAL MODE (2% + 0.04 div)	ENVELOPE MODE (3% + 0.04 div)	Limits-DC Coupling	
				+ Peak	-Peak
2 mV <sup>1</sup>	10 mV	9.72 mV to 10.28 mV	9.62 mV to 10.38 mV	8.5 mV to 11.5 mV	±1.2 mV
5 mV <sup>1</sup>	20 mV	19.40 mV to 20.60 mV	19.20 mV to 20.80 mV	17.2 mV to 22.8 mV	± 2.2 mV
10 mV	50 mV	48.60 mV to 51.40 mV	48.10 mV to 51.90 mV	44.4 mV to 55.6 mV	± 4.0 mV
20 mV	0.1 V	97.20 mV to 102.80 mV	96.20 mV to 103.80 mV	89.6 mV to 110.4 mV	± 7.2 mV
50 mV	0.2 V	194.00 mV to 206.00 mV	192.00 mV to 208.00 mV	178.0 mV to 222.0 mV	± 16.0 mV
100 mV	0.5 V	486.00 mV to 514.00 mV	481.00 mV to 519.00 mV	448.0 mV to 552.0 mV	± 36.0 mV
200 mV	1V	972.00 mV to 1.03 V	962.00 mV to 1.04 V	896.0 mV to 1.1 V	±72.0 mV
500 mV	2 V	1.94 V to 2.06 V	1.92 V to 2.08 V	1.8 V to 2.2 V	± 160.0 mV
1V	5 V	4.86 V to 5.14 V	4.81 V to 5.19 V	4.5 V to 5.5 V	± 360.0 mV
2 V	10 V	9.72 V to 10.28 V	9.62 V to 10.38 V	9.0 V to 11.0 V	±710.0 mV
5 V	20 V	19.40 V to 20.60 V	19.20 V to 20.80 V	17.8 V to 22.2 V	±1.6 V

29. Use the VERTICAL POSITION control to set the bottom of the signal 3 divisions below graticule center.
30. Repeat subparts 6 through 29 for each VOLTS/DIV Control setting listed in Table 4-2. Skip subparts 26 through 29 when checking the last VOLTS/DIV Control setting in the table.
31. Press A/B TRIG to set the B Trigger System on. Select TRIGGER CPLG and set REJECT NOISE on.
32. Press A/B TRIG to set the A Trigger System on (the A TRIG CPLG menu will be displayed). Set REJECT NOISE on.
33. Set the CH 1 VOLTS/DIV control to 50 mV.
34. Set the Calibration Generator's STD AMPLITUDE output level to 0.2 V.
35. Repeat subparts 14 through 24, using 147 mV to 253 mV as the limits to check against in subparts 15 and 22 and +47 mV to -47 mV as the limits for subparts 17 and 24.
36. Set the B COUPLING mode back to DC on (B TRIGGER CPLG menu is still displayed from subpart 24).
37. Press the A/B TRIG button to set the A Trigger System on (the A COUPLING menu will be displayed). Set A COUPLING to DC on.
38. Set HORIZONTAL MODE to A.
39. Set the CH 1 VOLTS/DIV control to 1 V and the Calibration Generator's output level to 5 V.
40. Select CH 1 VARIABLE and press and hold down the menu button labeled "J" until the displayed waveform no longer decreases in amplitude.
41. CHECK—That the amplitude of the displayed waveform is two divisions or less. VERIFY—That a " > " symbol appears immediately left of the CH 1 scale factor readout.
42. VERIFY—That the amplitude of the displayed waveform increases when the menu button labeled "t" is pushed.
43. Press CAL. VERIFY—That the waveform has returned to its original amplitude and that the " > " symbol is no longer displayed.
44. Select CH 1 COUPLING/I INVERT and set INVERT ON/OFF to ON.



45. Using the VERTICAL POSITION control, set the bottom of the waveform 3 divisions below graticule center.
  46. Repeat subparts 6 through 9 to check INVERT accuracy.
  47. Return INVERT ON/OFF to OFF.
  48. Select VERTICAL MODE and set CH 2 on and CH 1 off. Move the Coaxial Cable to the CH 2 OR Y input connector.
  49. Repeat subparts 1 through 48 (skipping 5) to check the functions and accuracies for CH 2.
  50. Select TRIGGER MODE and set AUTO LEVEL on.
  51. Remove the Coaxial Cable from the CH 2 OR Y input connector and connect the 5 V standard amplitude signal to CH 1 OR X and CH 2 OR Y input connector through a Dual-Input Coupler.
  52. Using the CH 2 VERTICAL POSITION control, set the bottom of the CH 2 waveform 1.5 divisions below graticule center.
  53. Select VERTICAL MODE and set CH 1 on. Use the CH 1 VERTICAL POSITION to superimpose the CH 1 waveform exactly over the CH 2 waveform.
  54. Set CH 1 and CH 2 VOLT/DIV controls to 2 V. Set CH 1 and CH 2 off and ADD on.
  55. Align the cursors to the top and bottom of the displayed waveform as in subparts 6 through 8.
  56. CHECK—That the cursor readout indicates about 10 V.
  57. Set CH 1 and CH 2 VOLTS/DIV back to 1 V and set MULT on (ADD will be turned off).
  58. Align the cursors to the top and bottom of the displayed waveform as in subparts 6 through 8.
  59. CHECK —That the cursor readout indicates about  $25 V^2$ .
- d. Set MULT off and CH 1 on.
  - e. Precisely align one voltage cursor to the graticule line 3 divisions above graticule center and the other cursor to the line 3 divisions below graticule center.
  - f. CHECK—That the voltage reading displayed is within 1% of 6.00 Volts (5.94 to 6.06).
  - g. Disconnect the test setup.
4. **Check LF Linearity.**
    - a. Recall the Initial Front-Panel Setup, labeled “FPNL” (see step i in “INITIAL SETUP” at the start of this procedure). Make the following changes to the front-panel setup:
 

Select: VERTICAL MODE  
Set: CH2 . . . . . Off

Select: CH 1 COUPLING/INVERT  
Set: 50 Ω ON/OFF . . . . . OFF

Select: CH 2 COUPLING/INVERT  
Set: 50 Ω ON/OFF . . . . . OFF
    - b. Connect the Calibration Generator’s STD AMPLITUDE output to the CH 1 OR X input connector via a Coaxial Cable. Do not use a Termination.
    - c. Set the Calibration Generator’s STD AMPLITUDE output level to 0.2 V.
    - d. Use the CH 1 POSITION control to center the waveform vertically around the center horizontal graticule line.
    - e. Use the generator’s VARIABLE control to adjust the waveform for exactly 2 vertical divisions on screen (discount trace width).
    - f. Use the CH 1 POSITION control to align the top of the waveform to the top horizontal graticule line.
    - g. CHECK —That the amplitude of the displayed waveform is between 1.88 and 2.12 divisions.
    - h. Use the CH 1 POSITION control to align the bottom of the waveform to the bottom horizontal graticule line.
    - i. CHECK —That the amplitude of the displayed waveform is between 1.88 and 2.12 divisions.
    - j. Select STORAGE ACQUIRE and set ENVELOPE on.
    - k. Repeat parts d through i to check the LF Linearity for the ENVELOPE mode. Discount the noise and the envelope “fill” when performing parts g and i and use 1.84 and 2.16 divisions as limits for those parts.
    - l. Set the STORAGE ACQUIRE mode back to NORMAL on.
    - m. Move the Coaxial Cable from the CH 1 OR X input connector to the CH 2 OR Y input connector.
    - n. Select VERTICAL MODE and set CH 2 on and CH 1 off.
    - o. Repeat parts d through k to check CH 2 using CH 2 control settings and menus.

- p. Disconnect the test setup.

A SEC/DIV . . . . . 200 ns

Select: VERTICAL MODE

Set: CH2 . . . . . Off

**5. Check CH 1 and CH 2 Position Range.**

- a. Recall the Initial Front-Panel Setup, labeled "FPNL" (see step i in "INITIAL SETUP" at the start of this procedure). Make the following changes to the front-panel setup:

Set: CH1 VOLTS/DIV . . . . . 20 mV  
 CH2 VOLT/DIV . . . . . 20 mV  
 A SEC/DIV . . . . . 10 ms

Select: VERTICAL MODE

Set: CH2 . . . . . Off

- b. Connect a 50 kHz reference frequency signal from the Leveled Sine-Wave Generator to the CH 1 OR X input connector via a Coaxial Cable and a 5X Attenuator.
- c. Adjust the Leveled Sine-Wave Generator's output level for a 4-division display on screen.
- d. Remove the 5X Attenuator and connect the Coaxial Cable directly to the CH 1 OR X input connector.
- e. Rotate the CH 1 POSITION control full clockwise and hold until the waveform no longer moves up screen.
- f. CHECK –That the bottom of the waveform is within +0.4 to -0.7 division of the center horizontal graticule line.
- g. Rotate the CH 1 POSITION control full counter-clockwise and hold until the waveform no longer moves down screen.
- h. CHECK –That the top of the waveform is within +0.7 to -0.4 division of the center horizontal graticule line.
- i. Reinstall the 5X Attenuator and move the Coaxial Cable to the CH 2 OR Y input connector.
- j. Select VERTICAL MODE and set CH 2 on and CH 1 off.
- k. Repeat parts c through h to check CH 2's position range, using the CH 2 input connector and controls.

**6. Check CH 1 and CH 2 Bandwidth and Bandwidth Limit (20 MHz and 50 MHz).**

- a. Recall the Initial Front-Panel Setup, labeled "FPNL" (see step i in "INITIAL SETUP" at the start of this procedure). Make the following changes to the front-panel setup:

Set: CH1 VOLTS/DIV . . . . . 2 mV  
 CH2 VOLTS/DIV . . . . . 2 mV

- b. Connect the output of the Leveled Sine-Wave Generator to the CH 1 OR X input connector via a Precision Coaxial Cable, a 10X Attenuator, and a 2X Attenuator.
- c. Set the Leveled Sine-Wave Generator output level for a 6-division display at the 3 MHz reference frequency, then change the output frequency to 150 MHz.
- d. Set A SEC/DIV to 5 ns.
- e. CHECK–The display amplitude is 4.2 divisions or greater.
- f. Return the A SEC/DIV to 200 ns and set the CH 1 VOLT/DiV control to the next higher setting.
- g. Repeat parts c through f for all CH 1 VOLTS/DIV settings through 500 mV, removing and/or adding 10X, 5X, and 2X Attenuators as necessary to allow adjusting the Leveled Sine-Wave Generator output level to 6 divisions.
- h. Return A SEC/DIV to 200 ns.
- i. Select VERTICAL MODE and set CH 2 on and CH 1 off.
- j. Repeat parts b through g to check CH 2 bandwidth, substituting CH 2 controls and input connector.
- k. Set A SEC/DIV to 10 μs.
- l. Set the Leveled Sine-Wave Generator to a 50-kHz reference frequency and adjust the output level for a 6-division display (change 10X, 5X, and 2X Attenuators as required).
- m. Select VERTICAL BANDWIDTH and set to 20 MHz on. Set the A SEC/DIV to 20 ns.
- n. Increase the Leveled Sine-Wave Generator's output frequency until the display amplitude is 4.2 divisions.
- o. CHECK –That the Leveled Sine-Wave Generator's output frequency is from 13 MHz to 24 MHz.
- p. Set the VERTICAL BANDWIDTH to 50 MHz on and increase the Leveled Sine-Wave Generator's output frequency until the display amplitude is 4.2 divisions.
- q. CHECK –That the Leveled Sine-Wave Generator's output frequency is from 40 MHz to 55 MHz.
- r. Set the VERTICAL BANDWIDTH to FULL. Move the Precision Coaxial Cable from the CH 2 OR Y input connector to the CH 1 OR X input connector.
- s. Select VERTICAL MODE and set CH 1 on.

- t. Repeat parts k through q to check bandwidth limit for CH 1.
- u. Disconnect the test setup.

**7. Check Common Mode Rejection Ratio (CMRR).**

- a. Recall the Initial Front-Panel Setup, labeled "FPNL" (see step i in "INITIAL SETUP" at the start of this procedure). Make the following changes to the front-panel setup:

Set: ASEC/DIV ..... 10  $\mu$ s  
 Select: VERTICAL MODE  
 Set: CH2 .....Off  
       ADD .....On  
 Select: CH 1 COUPLING/INVERT  
 Set: INVERT ONIOFF .....ON  
 Select: TRIGGER SOURCE  
 Set: CHAN 1/2 .....1  
 Select: CURSOR FUNCTION  
 Set: VOLTS .....On  
 Menu displayed:  
       ATTACH CURSORS TO:  
 Set: ADD .....On  
 Select: STORAGE ACQUIRE  
 Set: AVG .....On

**NOTE**

*When the Initial Front Panel Setup is recalled in part a, the CH 1 and CH 2 traces will be centered vertically. DO NOT adjust the CH 1 or CH 2 POSITION controls during the remainder of this CMRR check to avoid exceeding the dynamic range of the CH 1 and/or CH 2 Vertical systems. If the controls are accidentally adjusted, go back to part a and repeat this check.*

- b. Connect a 50 kHz reference frequency signal from the Leveled Sine-Wave Generator to the CH 1 OR X and CH 2 OR Y input connectors via a Coaxial Cable and a Dual-Input Coupler.
- c. Set the Leveled Sine-Wave Generator output level for a 5-division display of the reference signal on CH 1.
- d. Set the CH 1 and CH 2 VOLT/DIV controls to 50 mV.

- e. Select VERTICAL MODE and set CH 1 off.
- f. Select CH 2 VARIABLE only and, using the menu buttons under the arrow symbols, adjust for minimum ADD display amplitude.
- g. Set the A SEC/DIV to 20 ns.
- h. Set the Leveled Sine-Wave Generator's output frequency to 50 MHz.
- i. Using the CURSOR/DELAY control, align the movable cursor (segmented) to the top of the ADD waveform.
- h. Press CURSOR/SELECT to enable the alternate cursor.
- k. Use the CURSOR/DELAY control to align this cursor to the bottom of the ADD waveform. Take care to use the same reference points (top edge, bottom edge, or center) of the waveform and cursor as in part i.
- l. CHECK –That the cursor readout (upper right corner of display) indicates 50.0 mV or less.
- m. Set the Leveled Sine-Wave Generator's output frequency back to 50 kHz.
- n. Set the VARIABLE menu back to CAL and return the A TIME/DIV control to 10  $\mu$ s.
- o. Select CH 1 COUPLING/INVERT and set INVERT ONIOFF to OFF.
- p. Select CH 2 COUPLING/INVERT and set INVERT ONIOFF to ON.
- q. Repeat parts f through l to check CMRR with CH 2 inverted. Be sure to use the CH 2 VARIABLE for part f (cursor readout will be in DIV instead of V units if CH 1 VARIABLE is used).
- r. Remove the test setup.

**8. Check Channel Isolation.**

- a. Recall the Initial Front-Panel Setup, labeled "FPNL" (see step i in "INITIAL SETUP" at the start of this procedure). Make the following changes to the front-panel setup:

Set: ASEC/DIV .....5 ns  
 Select: CURSOR FUNCTION  
 Set: VOLT ..... On .....On

(The ATTACH CURSOR menu will be displayed).

**NOTE**

*When the Initial Front Panel Setup is recalled in part a, the CH 1 and CH 2 traces will be centered vertically. DO NOT adjust the CH 1 or CH 2 POSITION controls during the remainder of this Channel Isolation check to avoid exceeding the dynamic range of the CH 1 and/or CH 2 Vertical systems. If the controls are accidentally adjusted, go back to part a and repeat this check.*

- b. Connect the Leveled Sine-Wave Generator to the CH 1 OR X input connector via a Coaxial Cable.
- c. Set the Leveled Sine-Wave Generator frequency to 100 MHz and adjust the output level for a 5-division display.
- d. Set the CH 1 and CH 2 VOLTS/DIV controls to 50 mV.
- e. Using the CURSOR/DELAY control, align the movable cursor (segmented) to the top of the CH 2 waveform.
- f. Press CURSOR/SELECT to enable the alternate cursor.
- g. Use the CURSOR/DELAY control to align this cursor to the bottom of the CH 2 waveform. Take care to use the same reference points (top edge, bottom edge, or center) of the waveform and cursor as in part e.
- h. CHECK –That the cursor readout (upper right corner of display) indicates 5.00 mV or less.
- i. Change the CH 1 VOLTS/DIV control to 100 mV, increase the Leveled Sine-Wave Generator frequency to 150 MHz, and readjust the output level for a 5-division display. Return the CH 1 VOLTS/DIV control to 50 mV.
- j. Repeat parts e through h (using 10.00 mV as the limit for part h) to check 150 MHz Channel Isolation.
- k. Move the Coaxial Cable to CH 2 OR Y input connector.
- l. Select TRIGGER SOURCE and set CHAN 1/2 to 2.
- m. Return both VOLTS/DIV controls to 100 mV.
- n. Repeat parts c through j using the cursors to measure the CH 1 waveform instead of CH 2's. Use the CH 2 VOLTS/DIV control instead of CH 1's for part i.
- o. Disconnect the test setup.

**9. Check the CH 2 Output Voltage Accuracy and Bandwidth.**

- a. Recall the Initial Front-Panel Setup, labeled "FPNL" (see step i in "INITIAL SETUP" at the start of this procedure). Make the following changes to the front-panel setup:

Set: CH 1 VOLTS/DIV . . . . .20 mV

Select: CH 2 COUPLING/INVERT

Set: 50 Ω ON/OFF . . . . . OFF

Select: TRIGGER SOURCE

Set: CHAN 1/2 . . . . .2

Select: CURSOR FUNCTION

Set: VOLTS . . . . .On

Menu displayed: ATTACH CURSORS TO

Set: CH1 . . . . .On

- b. Connect the Calibration Generator's STD AMPLITUDE output to the CH 2 OR Y input connector via a Coaxial Cable. Do not use a Termination.
- c. Set the Calibration Generator STD AMPLITUDE output level to 0.5 V.
- d. Use the CH 2 VERTICAL POSITION control to align the bottom of the displayed waveform to the graticule line three divisions below graticule center.
- e. Use the Calibration Generator's VARIABLE AMPLITUDE control to adjust the CH 2 display for precisely 5 divisions amplitude.
- f. Connect the CH 2 SIGNAL OUTPUT connector (on the rear panel) to the CH 1 OR X input connector via a Coaxial Cable. Do not use a Termination.
- g. Select VERTICAL MODE and set CH 2 off.
- h. Use the CH 1 VERTICAL POSITION control to align the bottom of the displayed waveform to the graticule line three divisions below graticule center.
- i. Using the CURSOR/DELAY control, align the movable cursor (segmented) to the top of the CH 1 waveform.
- j. Press CURSOR/SELECT to enable the alternate cursor.
- k. Use the CURSOR/DELAY control to align this cursor to the bottom of the CH 1 waveform. Take care to use the same reference points (top edge, bottom edge, or center) of the waveform and cursor as in part i.
- l. CHECK–That the cursor readout (upper right corner of display) indicates 45.00 to 55.00 mV.
- m. Select CH 1 COUPLING/INVERT and set 50 Ω ON/OFF to OFF.

- n. Align the cursors to the displayed waveform as in parts i and k.
- o. CHECK—That the cursor readout indicates 90.00 to 110.00 mV. Set 50 Ω ON/OFF back to ON.
- p. Disconnect the Coaxial Cable from the Calibration Generator's output and connect it to the output of a Leveled Sine-Wave Generator.
- q. Select CH 2 COUPLING/INVERT and set 50 Ω ON/OFF to ON.
- r. Set the A SEC/DIV control to 200 ns.
- s. Set the Leveled Sine-Wave Generator output level for a 6-division display at the 3 MHz reference frequency, then change the output frequency to 50 MHz. Adjust the CH 1 VERTICAL POSITION control as required to view the display.
- t. Set the A SEC/DIV control to 5 ns.
- u. CHECK—The display amplitude is 4.2 divisions or greater.
- v. Disconnect the Coaxial Cable from the CH 2 input.
- w. Select CH 1 COUPLING/INVERT and set GND on. Set the A SEC/DIV control to 500 μs.
- x. Use the CH 1 VERTICAL POSITION control to align the grounded trace to the center horizontal graticule line.
- y. Set the CH 1 VOLTS/DIV to 5 mV and the CH 1 COUPLING to DC.
- z. VERIFY—That the trace is within ±2 divisions of the center graticule line.
- aa. Disconnect the test setup.

**10. Check Display Versus Graticule Centering and Dot Versus Vector Display Offset. Check VECTOR Response for NORMAL and ENVELOPE Acquisition modes.**

- a. Recall the Initial Front-Panel Setup, labeled "FPNL" (see step i in "INITIAL SETUP" at the start of this procedure). Make the following changes to the front-panel setup:

Select: VERTICAL MODE  
 Set: CH2 .....Off  
 Select: CH 1 COUPLING/INVERT  
 Set: 50 Ω ON/OFF ..... OFF

- b. Press the front-panel button labeled SELECT.
- c. Set VECTORS ON/OFF to OFF for the displayed menu.
- d. CHECK—That the CH 1 trace is no more than 0.1 division above or below the center horizontal graticule line.
- e. Select CURSOR FUNCTION and set TIME on. Note that one cursor is displayed 4 divisions left, one 4 divisions right of the center graticule line. Do NOT adjust the placement of the time cursors displayed.
- f. CHECK—That each cursor is within ±0.1 division of the vertical graticule line at which it is located.
- g. Press the menu button labeled TIME to turn off the cursors.
- h. Connect the STD AMPL OUTPUT of a Calibration Generator to the CH 1 OR X input connector via a Coaxial Cable.
- i. Set the AMPLITUDE control of the Calibration Generator for a 0.2 V setting.
- j. Select STORAGE ACQUIRE and set AVG on.
- k. Press the front-panel button labeled SELECT (next to the INTENSITY control).
- l. Toggle the VECTORS ON/OFF button for the displayed menu, between the ON/OFF settings while making the check in the following part.
- m. CHECK—That the display shifts no more than ±0.05 division while performing part 1.
- n. Disconnect the Calibration Generator from CH 1 ORX input connector.
- o. Select PRGM and press the menu button labeled INIT PANEL.
- p. Select TRIGGER MODE and set AUTO on.
- q. Select STORAGE ACQUIRE and set ENVELOPE on. Repeatedly press the ENVELOPE menu button until CONT (Continuous) appears above the label.
- r. Use the CH 1 VERTICAL POSITION control to move the displayed trace up 3 divisions and down 3 divisions to create a 6-division "filled" envelope on screen.
- s. Press the SELECT button (next to the INTENSITY control).
- t. CHECK— For no more than a 0.06-division change in amplitude between the "filled" envelope and the non-filled envelope as VECTORS ON/OFF is switched between the ON and OFF settings for the displayed menu.

# TRIGGERING SYSTEMS

## NOTE

The CH 1 and CH 2 Trigger Level Readout Accuracies are checked in the Vertical Systems subsection.

In this procedure, a “stable trigger-refers to a consistent trigger; that is, one that results in a uniform, regular display triggered on the selected slope ( $\pm$ ). A stably-triggered display should NOT have the trigger point switch between opposite slopes on the waveform, nor should it “roll” across the screen, as successive acquisitions occur. At TIME/DIV settings of 2 ms/DIV and faster, the TRIG ‘D LED is constantly lit if the display is stably triggered (note that, for Tables 4-3 and 4-4, the LED will flash for the 10 ms/DIV checks).

### Equipment Required (see table 4-1)

Leveled Sine-Wave Generator (Item 1)	Termination (Item 11)
Time-Mark Generator (Item 3)	5X Attenuation (Item 13)
Function Generator (Item 4)	10X Probe (Item 15)
Coaxial Cable (Item 9)	Dual-Input Coupler (Item 17)

### 1. Check A and B Internal Source Trigger Sensitivity.

#### NOTE

This step checks the CH 1 trigger source for all trigger coupling settings for both A and B Horizontal Modes. The other sources are checked for DC coupling only. Normally, checking all coupling modes for one trigger source is adequate since all the sources share common coupling circuitry; other sources need only be checked in the DC trigger coupling setting to verify their signal paths. However, if a source’s trigger sensitivity is very near the limits specified in Table 4-3, this procedure will specify additional checks for the other trigger coupling settings.

- a. Recall the Initial Front-Panel Setup, labeled “FPNL” (see step i in “INITIAL SETUP” at the start of this procedure). Make the following changes to the front-panel setup:

Select: VERTICAL MODE  
Set: CH2 ..... Off

Select: CH 1 COUPLING/INVERT  
Set: 50  $\Omega$  ON/OFF ..... OFF

Select: CH 2 COUPLING/INVERT  
Set: 50  $\Omega$  ON/OFF ..... OFF

Select: TRIGGER MODE  
Set: AUTO ..... ON

- b. Connect the sine-wave output of the appropriate generator through a Coaxial Cable and a Termination to the CH 1 OR X input connector. Use the Function Generator (item 4) for Test Frequencies below 50 MHz; use the Leveled Sine-wave Generator (item 1) for Test Frequencies 50 MHz and higher.
- c. Adjust the generator’s output frequency to the first Test Frequency setting specified in Table 4-3.
- d. Set the SEC/DIV control to the setting used with the Test Frequency.
- e. Set the output amplitude of the specified Test Frequency to the level given in Table 4-3 for the A Trigger System with DC Trigger Coupling.

#### NOTE

When amplitudes of less than 1 division are required, adjust the generator for 10X the specified amplitude with the CH 1 VOLT/DIV set to 100 mV and change the setting to 1 V before making the checks. For amplitudes > to 1 division, simply adjust for the required amplitude with the VOLT/DIV set to 100 mV.

- f. Select TRIGGER CPLG to display the A COUPLING menu.

#### NOTE

When checking for triggers in parts g and h, use the TRIGGER LEVEL control to trigger (or to attempt to trigger) on the waveform.

**Table 4-3**  
**Minimum Display Level for CH 1 or CH 2 Triggering**  
**(in divisions)**

Trigger System	Test Frequency	SEC/DIV Setting	TRIGGER COUPLING				
			DC	AC	NOISE REJ	HF REJ	LF REJ
A	60 Hz	10 ms	0.35	0.35	a	a	(0.35) <sup>b</sup>
B	60 Hz	10 ms	0.70	0.70	a	a	(0.70) <sup>b</sup>
A	30 kHz	20 ms	0.35	0.35	a	0.5	a
B	30 kHz	20 μs	0.70	0.70	a	1.0	a
A	80 kHz	10 μs	0.35	0.35	a	a	0.5
B	80 kHz	10 μs	0.70	0.70	a	a	1.0
A	50 MHz	20 ns	0.35	0.35	1.2	(1.2) <sup>b</sup>	0.5
B	50 MHz	20 ns	0.70	0.70	2.4	(2.4) <sup>b</sup>	1.0
A	150 MHz <sup>c</sup>	5 ns	1.0	1	3.0	(3.0) <sup>b</sup>	1.0
B	150 MHz <sup>c</sup>	5 ns	2.0	2.0	6.0	(6.0) <sup>b</sup>	2.0
<b>ADD Vertical Mode</b>							
A	150 MHz <sup>c</sup>	5 ns	1.5	1.5	4.5	a	1.5
B	150 MHz <sup>c</sup>	5 ns	3.0	3.0	9.0	a	3.0

<sup>a</sup>Not necessary to check.

<sup>b</sup>Not triggered at the specified amplitude.

<sup>c</sup>At frequencies above 100 MHz, it may be necessary to adjust the LEVEL control for a Stable trigger and to make the display visible.

- g. CHECK—For a stable, triggered display on both + and - slopes for all TRIGGER COUPLING settings that are specified at the present Test Frequency.
- h. CHECK— For no stable trigger (display free-runs) for any TRIGGER COUPLING setting specifying the footnote “Not Triggered at specified amplitude.”
- i. Change the generator output amplitude as necessary and repeat parts g through h for any Trigger Coupling setting specifying a different Minimum Display Level for triggering other than the initial setting for that row. (For example, NOISE, HF, and LF settings usually—but not always—require different amplitudes than the initial setting.)
- j. Set the generator's output to the next Test Frequency in Table 4-3.
- k. Repeat parts d through j (skip part f) to check A Triggers for each test frequency setting in Table 4-3. Change generators (as specified in part b) as needed to obtain the test frequency required. Return the TRIGGER COUPLING menu to DC when completed.
- l. Select VERTICAL MODE and set CH 1 off and CH 2 on.
- m. Repeat parts b through k to check CH 2 triggers, using CH 2 control settings and input connector. Skip parts f, h, and i and check only for DC trigger coupling in part g if the DC trigger sensitivity is NOT near the specified limits; otherwise, check as for CH 1.
- n. Select VERTICAL MODE and set ADD on and CH 2 off.
- o. Repeat parts b through k to check ADD triggers, using CH 2 control settings and input connector. Skip parts h and i and check only for DC trigger coupling in part g if the DC trigger sensitivity is NOT near the specified limits; otherwise, check as for CH 1.
- p. Select VERTICAL MODE and set ADD off and CH 1 on.
- q. Set TRIGGER CPLG back to DC and set the HORIZONTAL MODE to B.
- r. Press A/B TRIG to select the B Trigger System (the B COUPLING menu will be displayed).

- s. Repeat part b through o to check B triggers, using the TRIGGER LEVEL control to trigger the display. Use the generator amplitude settings specified in the Trigger System-B rows of Table 4-3.

**NOTE**

*When checking 50 MHz and 150 MHz Triggers for the B TRIGGER SYSTEM, the REPET mode acquisitions can require a long time to complete. When setting the B SEC/DIV control for those TEST FREQUENCIES, set the Horizontal MODE to A and set the A SEC/DIV control to the SEC/DIV setting specified in the table. This adjustment will set BOTH A and B Acquisition Systems to the specified SEC/DIV setting and reduce the time required to complete the B REPET acquisition sequence. Set the HORIZONTAL MODE back to 5.*

- t. Disconnect the test setup.

**2. Check Trigger Sensitivity for A and B External Sources.**

**NOTE**

*This step checks the trigger sensitivity of the external sources for the DC trigger coupling setting only. Normally, checking all coupling modes for one trigger source (checked in step 1 of this subsection) is adequate since all the sources share common coupling circuitry; other sources need only be checked in the DC trigger coupling setting to verify their signal paths. However, if a source's trigger sensitivity is very near the limits specified in Table 4-4, this procedure will specify additional checks for the other trigger coupling settings.*

- a. Recall the Initial Front-Panel Setup, labeled "FPNL" (see step i in "INITIAL SETUP" at the start of this procedure). Make the following changes to the front-panel setup:

Select: VERTICAL MODE  
 Set: CH2 . . . . . Off

Select: CH 1 COUPLING/INVERT  
 Set: 50 Ω ON/OFF . . . . . OFF

Select: CH 2 COUPLING/INVERT  
 Set: 50 Ω ON/OFF . . . . . OFF

Select: TRIGGER MODE  
 Set: AUTO . . . . . ON

- b. Connect the sine wave output of the appropriate generator through a Coaxial Cable, a 5X Attenuator, a Termination (install Termination between the 5X Attenuator and the Dual-Input Coupler) and a Dual-Input Coupler to the CH 1 OR X and the EXT TRIG 1 input connectors. Use the Function Generator (item 4) for Test Frequencies below 50 MHz; use the Leveled Sine-Wave Generator (item 1) for test Frequencies 50 MHz and higher.
- c. Select TRIGGER SOURCE and push the EXT menu button. Set A EXT SOURCE 1/2 to 1.
- d. Press the A/B TRIG button to select the B Trigger System (the B TRIG SOURCE menu will be displayed). Push the EXT menu button and set B EXT SOURCE 1/2 to 1. Press the A/B TRIG button to return to the A Trigger System.
- e. Adjust the generator's output frequency to the first Test Frequency setting specified in Table 4-4.
- f. Set the A SEC/DIV control to the setting used with that Test Frequency.
- g. Set the CH 1 VOLTS/DIV control to the setting used with that Test Frequency setting.
- h. Select TRIGGER CPLG to display the A COUPLING menu.

**NOTE**

*The Minimum Signal Levels for Triggering for EXT TRIG ÷ 5 are 5X the /eve/s that are listed in Table 4-4. This procedure obtains the 5X levels by removing a 5X Attenuator from the test setup after setting the generator's output level as specified in Table 4-4.*

- i. Set the output amplitude of the specified Test Frequency to the level given in Table 4-4 for the A Trigger System with DC Trigger Coupling.

**NOTE**

*When checking for triggers in part/, use the TRIGGER LEVEL control to trigger (or to attempt to trigger) on the waveform.*

- j. CHECK – For a stable, triggered display at the DC trigger coupling setting. Press TRIGGER SLOPE to check for both + and - slopes.
- k. Remove the 5X Attenuator from the test setup and reconnect the setup.
- l. Set CH 1 VOLTS/DIV for an on-screen display.



**Table 4-4**  
**Minimum Signal Level for EXT1 or EXT2 Triggering**  
**(in millivolts)**

Trigger System	Test Frequency	VOLTS DIV/ Setting	SEC/ DIV Setting	TRIGGER COUPLING				
				DC	AC	NOISE REJ	HF REJ	LF REJ
A	60 Hz	5 mV	10 ms	17.5	17.5	a	a	(17.5) <sup>b</sup>
B	60 Hz	5 mV	10 ms	35.0	35.0	a	a	(35.0) <sup>b</sup>
A	30 kHz	5 mV	20 μs	17.5	17.5	a	25	a
B	30 kHz	5 mV	20 μs	35.0	35.0	a	50	a
A	80 kHz	10 mV	10 μs	17.5	17.5	a	a	25
B	80 kHz	10 mV	10 μs	35.0	35.0	a	a	50
A	50 kHz	10 mV	20 ns	17.5	17.5	60	(60) <sup>b</sup>	25
B	50 MHz	10 mV	20 ns	35.0	35.0	120	(120) <sup>b</sup>	50
A	150 MHz <sup>c</sup>	50 mv	5 ns	50.0	50.0	150	(150) <sup>b</sup>	50
B	150 MHz <sup>c</sup>	50 mV	5 ns	100.0	100.0	300	(300) <sup>b</sup>	100

<sup>a</sup>Not necessary to check.

<sup>b</sup>Not triggered at specified amplitude.

<sup>c</sup>At frequencies above 100 MHz, it maybe necessary to adjust the LEVEL control for a stable trigger and to make the display visible.

- m. Select TRIGGER SOURCE and push the EXT menu button. Set A and B EXT GAIN to EXT 1÷5 on in the menu displayed.
- n. Select TRIGGER CPLG and repeat part j to check A EXT 1÷5 coupling.
- o. If trigger sensitivity was near the specified limits for the EXT 1 or EXT 1÷5 sources with the trigger coupling set to DC on, repeat parts i through n for all other coupling settings in that test frequency row, changing the trigger coupling settings and generator amplitude as required.  
  
Set the generator's output to the next Test Frequency in Table 4-4.  
  
Select TRIGGER SOURCE and push the EXT menu button. Set A and B EXT GAIN back to EXT 1 in the menu displayed. Reinstall the 5X Attenuator in the test setup.
- r. Repeat parts f through q to check the trigger sensitivity for each test frequency in Table 4-4. Use the Function Generator for frequencies below 50 MHz; use a Leveled Sine-Wave Generator for frequencies equal to or above 50 MHz.
- s. Move the leg of the Dual-Input-Connector connected to the EXT 1 input to the EXT 2 input.
- t. Select TRIGGER SOURCE and push the EXT menu button. Set the A EXT SOURCE 112 TO 2. Select TRIGGER COUPLING.
- u. Repeat parts e through r to check the EXT 2 trigger source, setting EXT 2÷5 and EXT 2 in parts m and q, respectively.
- v. Select TRIGGER SOURCE and set VERT on (the VERT source will ensure that the A Acquisition System is stably triggered – required for the following B Trigger checks).
- w. Press A/B TRIG to select the B Trigger System and set the HORIZONTAL MODE to B.
- x. Repeat parts b to u to check B Trigger System sensitivity. Use generator amplitude levels in the TRIGGER SYSTEM – B rows for checking the B Trigger sensitivity.

**NOTE**

*When checking 50 MHz and 150 MHz Triggers for the B TRIGGER SYSTEM, the REPET mode acquisitions can require a long time to complete. When setting the B SEC/DIV control for those TEST FREQUENCIES, set the HORIZONTAL MODE to A and set the A SEC/DIV control to the SEC/DIV setting specified in the table. This adjustment will set BOTH A and B Acquisition Systems to the specified SEC/DIV setting and reduce the time necessary to complete the B REPET acquisition sequence. Set the HORIZONTAL MODE back to B.*

- y. Disconnect the test setup.

**3. Check A\*B Trigger Source.**

- a. Recall the Initial Front-Panel Setup, labeled "FPNL" (see step i in "INITIAL SETUP" at the start of this procedure). Make the following changes to the front-panel setup:

Set: ASEC/DIV . . . . . 1ops

Select: TRIGGER MODE

Set: AUTO . . . . . On

Select: TRIGGER SOURCE

Set: A\* BIWORD . . . . . A\*B

Press: A/B TRIG to display the B TRIG SOURCE menu.

Set: CHAN 1/2 . . . . . 2

- b. Ensure that the B Trigger Level Readout is set to 0.0 V. Adjust if necessary using the TRIGGER LEVEL control.
- c. Press the A/B TRIG button to select the A Trigger System.
- d. Select VERTICAL MODE and set CH 2 off.
- e. Connect the output of a Leveled Sine-wave Generator through a Coaxial Cable and a Dual-Input Coupler to the CH 1 OR X and CH 2 OR Y input connectors. Do not use a Termination.
- f. Set the generator's frequency to 50 kHz and its amplitude for a 4-division display.
- g. Use the TRIGGER LEVEL control to adjust the A Trigger Level Readout while performing parts h through n.

- h. VERIFY—That for Trigger Level Readout settings of approximately  $\leq 0$  V the display is stably triggered with the Trigger indicator (a small "T") approximately centered vertically on the waveform.
- i. VERIFY —That for Trigger Level settings between approximately 0 V and 200 mV the display is stably triggered and the Trigger Indicator moves along the upper-positive going slope of the waveform.
- j. VERIFY—That for settings greater (more positive) than approximately 200 mV the display is not triggered (free-runs). Press A/B TRIG to select the B Trigger System and set SLOPE to - (negative).
- k. Press A/B TRIG to select the A Trigger System and set SLOPE to - (negative).
- l. VERIFY—That for Trigger Level Readout settings of  $\geq$  approximately 0 V or more the display is stably triggered with the Trigger indicator approximately centered vertically on the waveform.
- m. VERIFY—That for Trigger Level settings between approximately 0 mV and -200 mV the display is stably triggered and the Trigger indicator moves along the lower-negative going slope of the waveform.
- n. VERIFY—That for settings which are less (more negative) than approximately 200 mV the display is not triggered (free-runs).
- o. Set the A Trigger Level Readout for a reading of 0.0 V and SLOPE to + (positive).
- p. Press A/B TRIG to select the B Trigger System and set SLOPE to + (positive).
- q. Repeat parts h through o to verify the B Trigger System as a source for the A\*B composite trigger. Do NOT change the HORIZONTAL MODE to B. Note that the Trigger Level Readout will indicate B Trigger Level settings for parts h through o and that performance of part j will select the A Trigger System, while part k will select the B Trigger System.
- r. Disconnect the test setup.

**4. Verify the Normal and Single Sequence Trigger Functions.**

- a. Recall the Initial Front-Panel Setup, labeled "FPNL" (see step i in "INITIAL SETUP" at the start of this procedure). Make the following changes to the front-panel setup:

Select: VERTICAL MODE

Set: CH2 . . . . . Off

Set: ASEC/DIV . . . . . 10  $\mu$ s

- b. Connect the Leveled Sine-wave Generator output to CH 1 OR X input connector through a Coaxial Cable.
- c. Set the generator's frequency and amplitude for a 50 kHz, 4-division display.
- d. Select TRIGGER MODE and set NORMAL on.
- e. Using the TRIGGER LEVEL control, VERIFY that the display can be triggered on the positive going slope of the AC waveform for the + (plus) selection of the SLOPE button and on the negative going slope for the - (minus) selection of the SLOPE button.
- f. VERIFY—That for TRIGGER LEVEL settings outside the range of the display (approximately  $\pm 200$  mV), the acquisition stops and the waveform is saved on screen.
- g. Trigger the display and set SINGLE SEQUENCE on.
- h. VERIFY—That for each press of the STORAGE ACQUIRE button, a waveform is acquired and saved on screen.
- i. Disconnect the test setup.

**5. Check Trigger Noise Rejection.**

- a. Recall the Initial Front-Panel Setup, labeled "FPNL" (see step i in "INITIAL SETUP" at the start of this procedure). Make the following changes to the front-panel setup:

Select: VERTICAL MODE  
 Set: CH2 . . . . . Off  
 Set: ASEC/DIV . . . . . 10  $\mu$ s

- b. Connect the sine wave output of the Function Generator through a Coaxial Cable to the CH 1 OR X input connector.
- c. Set the Function Generator's frequency to 50 kHz and its amplitude for a 4-division display.
- d. Change the CH 1 VOLTS/DIV to 1 V (yields a 0.4-division display).
- e. Select TRIGGER COUPLING and set NOISE REJECT on.
- f. CHECK— For a non-triggered, free-running display for both the + (positive) and - (negative) settings of the SLOPE button.
- g. Set the A COUPLING menu back to DC on.

- h. Press the A/B TRIG button to select the B Trigger System (the B COUPLING menu will be displayed) and set the HORIZONTAL MODE to B.
- i. Set the B COUPLING menu to NOISE REJECT on.
- j. CHECK —That the display cannot be stably triggered with the TRIGGER LEVEL control for either positive or negative setting of the SLOPE button.
- k. Set the B COUPLING menu to DC on and disconnect the test setup.

**6. Check Slope Selection and Verify Line Trigger.**

- a. Recall the Initial Front-Panel Setup, labeled "FPNL" (see step i in "INITIAL SETUP" at the start of this procedure). Make the following changes to the front-panel setup:

Select: VERTICAL MODE  
 Set: CH2 . . . . . Off  
 Select: CH 1 COUPLING/INVERT  
 Set: 50  $\Omega$  ON/OFF . . . . . OFF  
 Set: CH 1 VOLTS/DIV . . . . . 5 V  
 ASEC/DIV . . . . . 5 ms  
 Select: TRIGGER SOURCE  
 Set: LINE . . . . . On



*DO NOT connect the 10X Probe ground lead to the AC (line) power source when performing this step.*

- b. Connect a 10X Probe to the CH 1 input connector and connect the 10X Probe tip to an AC (line) source.
- c. Using the TRIGGER LEVEL control, VERIFY that the display can be triggered on the positive going slope of the AC waveform for the + (plus) selection of the SLOPE button and on the negative going slope for the - (minus) selection of the SLOPE button.

**NOTE**

*The Trigger Point Indicator, a small "T" riding on the displayed waveform, indicates the point on which the instrument is triggered for the displayed waveform.*

- d. Disconnect the test setup.

**7. Verify A and B Trigger Position Function.**

- a. Recall the Initial Front-Panel Setup, labeled "FPNL" (see step i in "INITIAL SETUP" at the start of this procedure). Make the following changes to the front-panel setup:

Select: VERTICAL MODE

Set: CH 2 . . . . . Off

Set: CH 1 VOLTS/DIV . . . . . IV

- b. Connect the MARKER out signal of the Time Mark Generator to the CH 1 OR X input connector through a coaxial cable.
- c. Set the Time Mark Generator's marker period to 1 ms.
- d. Position the start of the display to the extreme left graticule line using the HORIZONTAL POSITION control.
- e. Select TRIG POSITION and set 1/8 on.
- f. VERIFY—That the Trigger Point Indicator (a "T" symbol) is positioned on a time marker approximately 2.5 divisions to the right of the extreme left graticule line.
- g. Set the TRIGGER POSITION menu to ¼ and verify that the Trigger Point Indicator moves to a time marker that is approximately at center screen.

- h. Use the HORIZONTAL POSITION control to position the time marker with superimposed Trigger Point Indicator to the extreme left graticule line.
- i. Set the TRIGGER POSITION menu to ½ and verify that the Trigger Point Indicator moves to a time marker that is approximately at center screen.
- j. Use the HORIZONTAL POSITION control to position the time marker with superimposed Trigger Point Indicator to the extreme left graticule line.
- k. Set the TRIGGER POSITION menu to ¾ and verify that the Trigger Point Indicator moves to a time marker that is approximately at center screen.
- l. Set the TRIGGER POSITION menu to 7/8 and verify that the Trigger Point Indicator is positioned on a time marker approximately 2.5 divisions to the right of the center graticule line.
- m. Press A/B TRIG to select the B Trigger System and set the HORIZONTAL mode to B. Use the TRIGGER LEVEL control to trigger the display as required.
- n. Repeat parts d through k to check the B TRIGGER POSITION function.
- o. Disconnect the test setup.

# HORIZONTAL SYSTEM

**Equipment Required (see table 4-1)**

Time-Mark Generator (Item 3)  
Coaxial Cable (2 required) (Item 9)

Precision Coaxial Cable (Item 10)  
Termination (Item 11)

1. **Check Cursor Readout Accuracies for the A and B Acquisition Systems.**
  - a. Recall the Initial Front-Panel Setup, labeled "FPNL" (see step i in "INITIAL SETUP" at the start of this procedure). Make the following changes to the front-panel setup:  
  
 Select: CURSOR FUNCTION  
 Set: TIME .....On
  - b. Use the CURSOR/DELAY control to align the movable cursor (it will have more dots than the alternate cursor) to the third graticule line to the left of center screen.
  - c. Press CURSOR SELECT to enable the alternate cursor.
  - d. Use the CURSOR/DELAY control to align cursor to the third graticule line to the right of center screen.
  - e. CHECK—That the Cursor Time Readout indicates 2.9700 to 3.0300 ms.
  - f. Set the HORIZONTAL MODE to B.
  - g. CHECK—That the Cursor Time Readout indicates 2.9700 to 3.0300 ms.
2. **Verify the Sample Rate of the A and B Acquisition Systems and Check the Horizontal Display Accuracy.**
  - a. Recall the Initial Front-Panel Setup, labeled "FPNL" (see step i in "INITIAL SETUP" at the start of this procedure). Make the following changes to the front-panel setup:  
  
 Select: VERTICAL MODE  
 Set: CH2 .....Off  
 Set: CH1 VOLTS/DIV .....500 mV  
 ASEC/DIV .....500 ns
  - b. Connect the MARKER OUT signal of a Time Mark Generator to the CH 1 OR X input connector through a Coaxial Cable. Do not use a Termination.
  - c. Set the Time Mark Generator's marker period to 0.5  $\mu$ s.
  - d. Push I NIT @ 50% to set the A Trigger level.
  - e. VERIFY—That one time marker per horizontal division is displayed.
  - f. CHECK—That the spacing between the time markers nearest the third and ninth vertical graticule lines is 6 divisions,  $\pm 0.06$  division.
  - g. Press A/B TRIG to select the B triggers.
  - h. Set HORIZONTAL MODE to B and set the B SEC/DIV control to 500 ns.
  - i. Push I NIT @ 50% to set the B trigger level.
  - j. VERIFY—That one marker per horizontal division is displayed.
  - k. CHECK —That the spacing between the time markers nearest the third and ninth vertical graticule lines is 6 divisions,  $\pm 0.06$  division.
  - l. Rotate the A and B SEC/DIV control counter-clockwise one position to set both acquisition systems one speed slower.
  - m. Set the Time Mark Generator's marker period to match the acquisition rate set in the last part.
  - n. VERIFY—That one marker per horizontal graticule line is displayed.
  - o. CHECK —That the spacing between the time markers nearest the third and ninth vertical graticule lines is 6 divisions,  $\pm 0.06$  division.
  - p. Set HORIZONTAL MODE to A.
  - q. VERIFY—That one marker per horizontal division is displayed.
  - r. CHECK—That the spacing between the time markers nearest the third and ninth vertical graticule lines is 6 divisions,  $\pm 0.06$  division.

- s. Set HORIZONTAL MODE to B.
- t. Repeat parts k through r to verify all A and B acquisition rate settings down to 500 ms.
- u. Disconnect the test setup.

**3. Verify the DELAY TIME and A DELAY TIME Functions, Check A DELAY TIME Resolution, and Check Accuracy of the Time-Base Reference (using the ΔDELAY TIME function).**

- a. Recall the Initial Front-Panel Setup, labeled “FPNL” (see step i in “INITIAL SETUP” at the start of this procedure). Make the following changes to the front-panel setup:

```
Select: VERTICAL MODE
Set:    CH 2 . . . . . Off
Set:    CH 1 VOLTS/DIV . . . . . 500 mV
        ASEC/DIV . . . . . 20 μs
        HORIZONTAL MODE . . . . . A INTEN
        BSEC/DIV . . . . . 500 ns
        A/B TRIG . . . . . B
```

- b. Select TRIGGER MODE and set RUNS AFTER on. Set A/B TRIG to A.
- c. Use the HORIZONTAL POSITION control to align the Trigger Point Indicator (a small “T” on the displayed trace) to the vertical graticule line 3 divisions left of center screen.
- d. Connect the MARKER OUT signal of a Time Mark Generator to the CH 1 OR X input connector through a Coaxial Cable. Do not use a Termination.
- e. Set the Time Mark Generator’s marker period to 20 μs. Vertically position the bottom of the CH 1 display to 1 division below center screen.
- f. Select DELAY TIME and use the CURSOR/DELAY control to adjust the DELAY TIME Readout for a reading of 120.00 μs.
- g. VERIFY—That the intensified zone is on the time marker that is 3 divisions right of center screen.
- h. Set the HORIZONTAL MODE to B. VERIFY—the B Trigger Point Indicator is on the rising edge of the displayed time marker.
- i. Set the HORIZONTAL MODE to A INTEN and use the HORIZONTAL POSITION control to position the A Trigger Point Indicator to the graticule line 4 divisions left of center screen.

- j. Use the CURSOR/DELAY control to adjust the DELAY TIME Readout for a reading of 20.00 μs (the intensified zone will be aligned to the time marker 3 divisions left of center screen).
- k. Press the A TIME ON/OFF menu button to set A TIME ON.
- l. Using the CURSOR/DELAY control, adjust the A DELAY TIME Readout for a reading of 120.00 μs.
- m. VERIFY—That the A DELAY intensified zone is on the marker 3 divisions right of center screen.
- n. Slightly rotate the CURSOR/DELAY control to increase the A DELAY TIME reading the least amount possible.
- o. CHECK —That the readout can be advanced in increments at least as small as 0.02 μs.
- p. Rotate the CURSOR/DELAY control to set the A DELAY TIME readout to 500 μs.
- q. Set the HORIZONTAL MODE to B, then set the B SEC DIV control to 5 ns.
- r. Use the HORIZONTAL POSITION control to align the two Trigger Point Indicators to the center vertical graticule line.
- s. CHECK—That the two time markers displayed are not horizontally separated by more than 1.5 divisions at the points where their rising edges cross the center horizontal graticule line.
- t. Disconnect the test setup.

**4. Verify the DELAY EVENTS function.**

- a. Recall the Initial Front-Panel Setup, labeled “FPNL” (see step i in “INITIAL SETUP” at the start of this procedure). Make the following changes to the front-panel setup:

```
Select: CH 2 COUPLING/INVERT
Set:    50 Ω ON/OFF . . . . . OFF
Set:    CH 1 VOLTS/DIV . . . . . 1 V
        CH 2 VOLTS/DIV . . . . . 2 V
        ASEC/DIV . . . . . 5 ms
        A/B TRIG . . . . . B
```

- b. Select TRIGGER MODE and set RUNS AFTER on. Set A/B TRIG to A.
- c. Connect the MARKER OUT signal of a Time Mark Generator to the CH 1 OR X input connector through a Coaxial Cable. Do not use a Termination.
- d. Set the Time Mark Generator’s marker period to 5 ms.

- e. Connect the A TRIGGER OUTPUT (TTL) output at the scope's rear panel to the CH 2 OR Y input connector with a Coaxial Cable. Do not use a Termination.
- f. Use the VERTICAL POSITION controls to position the CH 1 and CH 2 displays for easy viewing.
- g. Select TRIGGER SOURCE and push the EXT menu button. Set A AND B EXT GAIN to EXT1÷5.
- h. Press the A/B TRIG button to select the B Trigger.
- i. Select TRIGGER SOURCE and push the EXT menu button. Set B EXT SOURCE 1/ 2 to 1. Press the A/B TRIG button to return to the A Trigger.
- j. Connect the output of a Leveled Sine-Wave Generator to the EXT TRIG 1 input via a Precision Coaxial Cable and a Termination.
- k. Set the Leveled Sine-Wave Generator's amplitude to 3 V and its frequency to 2 MHz.
- l. Set the HORIZONTAL MODE to B and set the B SEC/DIV control to 50  $\mu$ s.
- m. Use the HORIZONTAL POSITION control to align the Trigger Point Indicators to the graticule line 3 divisions right of center screen.
- n. Set the HORIZONTAL MODE to A.
- o. Select DELAY EVENTS and set EVENTS ON/OFF to ON. Use the CURSOR/DELAY control to set the EVENTS COUNT to 60001 B TRIGS (60,001).
- p. VERIFY—That the falling edge of the A Trigger signal displayed in CH 2 is 3 divisions left of center screen.
- q. Set the HORIZONTAL MODE to B.  
 Select: TRIGGER SOURCE  
 Set: CHAN 1/2 . . . . .1  
 Select: DELAY EVENTS
- r. VERIFY—That the rising edge of the displayed time marker can be aligned to the Trigger Point Indicator approximately 3 divisions right of center screen using the CURSOR/DELAY control.
- s. Disconnect test setup.

# ADDITIONAL VERIFICATIONS AND CHECKS

## Equipment Required (see table 4-1)

Calibration Generator (Item 2)	10X Attenuator (Qty 2) (Item 12)
Digital Voltmeter (DMM) (Item 6)	1X Probe (Item 16)
GPIB Controller (Item 7)	Dual-input Coupler (17)
GPIB Cable (Item 8)	BNC Female-to-Dual Banana Adapter (Item 18)
Coaxial Cable (Qty 2) (Item 9)	Sine-Wave Oscillator (Item 19)
Termination (Item 11)	Pulse Generator (Item 20)

### 1. Check Gain Match Between NORMAL and Save Acquisition Modes.

- a. Recall the Initial Front-Panel Setup, labeled “FPNL” (see step i in “INITIAL SETUP” at the start of this procedure). Make the following changes to the front-panel setup:

Select: CH 1 COUPLING/INVERT  
 Set: 50 Ω 20N/OFF . . . . . OFF  
 Select: STORAGE ACQUIRE  
 Set: AVG . . . . . On  
 Select: VERTICAL MODE  
 Set: CH2 . . . . . Off

- b. Connect the Calibration Generator’s STD AMPLITUDE output to the CH 1 OR X input connector through a coaxial cable. Do not use a termination. Set the Calibration Generator’s output level to 0.5 V and center the displayed square wave on screen.
- c. Select CURSOR FUNCTION and set VOLTS on.
- d. Using the CURSOR/DELAY control, align the enabled cursor (segmented) to the top of the displayed square wave.
- e. Press CURSOR SELECT to enable the alternate cursor (it will change from solid to segmented). Align the cursor to the bottom of the square wave.
- f. Note the CURSOR VOLTS readout value.
- g. Select STORAGE SAVE to save the display. Realign the cursors to the saved square wave if required.
- h. CHECK—That the CURSOR VOLTS readout value is within 12 mV of the value noted in part f.
- i. Disconnect the test setup.

### 2. Verify the Cursor Units and Functions.

#### NOTE

*This check VERIFIES the functionality of the cursors. The accuracy of the cursor readout is checked in the Vertical and Horizontal Systems subsections of this procedure.*

- a. Recall the Initial Front-Panel Setup, labeled “FPNL” (see step i in “INITIAL SETUP” at the start of this procedure). Make the following changes to the front-panel setup:
- Select: VERTICAL MODE  
 Set: CH2 . . . . . Off  
 Select: CH 1 COUPLING/INVERT  
 Set: 50 Ω ON/OFF . . . . . OFF  
 Select: TRIGGER MODE  
 Set: AUTO . . . . . On  
 Select: CURSOR FUNCTION  
 Set: TIME . . . . . On
- b. Use the CURSOR DELAY control to align the enabled time cursor to the vertical graticule line 2 divisions left of center screen.
- c. Press the CURSOR SELECT button to enable the alternate cursor (realign the Trigger Point Indicator (small “T”) to center screen if necessary) and align it to the graticule line 2 divisions right of center screen.
- d. VERIFY—That the cursor readout indicates approximately 2.00 ms.
- e. Select CURSOR UNITS and set Δ/ABS to ABS. VERIFY—That the cursor readout indicates approximately 1.00 ms.
- f. Return Δ|ABS to Δ and set DEGREES on. Press the NEW REF menu button.



- g. VERIFY –That the cursor readout indicates approximately 360.00° and that TIME CURSOR REF = indicates approximately 2.00 ms.  
  
Set  $\Delta$  | IABS to ABS. VERIFY –That the cursor readout indicates approximately 180.00°.  
  
Set % on. VERIFY – That the cursor readout indicates approximately 50.00%.  
  
Set SEC on and  $\Delta$  || ABS to  $\Delta$ .  
  
Select CURSOR FUNCTION and set I/TIME on. VERIFY–That the cursor readout indicates approximately 500.00 Hz.
- l. Set VOLTS on. Select CURSOR UNITS and set dB on.
- m. Use the CURSOR DELAY control to align one volt cursor to the graticule line 2 divisions above center screen and the other volt cursor to the line 2 divisions below center screen. Use the CURSOR SELECT button to toggle between cursors.
- n. Press the NEW REF menu button. VERIFY–That the cursor readout indicates 0.0 dB.
- o. Align the enabled cursor to the center horizontal graticule line. VERIFY–That the cursor readout indicates approximately -6.00 dB.
- p. Connect the CALIBRATOR signal to the CH 1 OR X input connector through a 1X Probe.
- q. Vertically center the display (do not position horizontally). Use the TRIGGER LEVEL control to trigger the display.
- r. Set the CURSOR UNITS menu to VOLTS and select the CURSOR FUNCTION menu. Set V@T on.
- s. Position one time cursor to 1 division left of center screen; position the other time cursor to 1 division right of center screen. VERIFY–That the cursor readout indicates approximately 400.00 mV.
- t. Set the CURSOR FUNCTION menu to SLOPE. VERIFY –That the cursor readout indicates approximately 400.00 V/s.
- u. Disconnect test setup.

3. **Verify STORAGE SAVE Functions.**

- a. Recall the Initial Front-Panel Setup, labeled “FPNL” (see step i in “INITIAL SETUP” at the start of this procedure). Make the following changes to the front-panel setup:  
  
Select: TRIGGER MODE  
Set: AUTO . . . . .On
- b. Use the VERTICAL POSITION controls to position the CH 1 trace 2 divisions above graticule center and the CH 2 trace 2 divisions below graticule center.
- c. Select VERTICAL MODE and set ADD on (ADD trace will beat graticule center).
- d. Select STORAGE SAVE and press the menu button labeled CH 1 (the menu will change from SAVEREF SOURCE to SAVEREF DESTINATION).
- e. Press the menu button labeled REF1 (the menu will change back to SAVEREF SOURCE). Press CH 2, REF2, ADD, REF3, REF, REF1, and REF4 in that order (menu will change for each button push) to store CH 2 in REF2, ADD in REF3, and REF1 in REF4.
- f. Select VERTICAL MODE and set CH 1, CH 2, and ADD off.
- g. Select STORAGE DISPLAY REF and press the REF1, REF2, and REF3 buttons. VERIFY–That the REF1 trace is displayed 2 divisions above, the REF2 trace 2 divisions below, and the REF3 trace at center screen.
- h. Press the HORIZ POS REF menu button (menu will change) and set REF1 P on for the displayed menu. VERIFY–That the HORIZONTAL POSITION control can position the REF1 P trace horizontally. Repeat verification for REF2 and REF3.
- i. Set REF HPOS REF/LOCK to LOCK. VERIFY–That the HORIZONTAL POSITION control now positions all displayed REF traces simultaneously.
- j. Press the STORAGE DISPLAY REF menu button to return to that menu. Set REF1 off and REF4 on. VERIFY–That the REF4 trace replaces the REF1 trace.

4. Verify Auto Setup.

**NOTE**

*In this step, certain parts will require that you do an Auto Setup on a waveform to verify specific, although approximate, values for amplitude and time-related waveform characteristics. These values are specific to the waveform that Auto Setup was performed on, which was deliberately chosen due to its amplitude, DC offset, and timing characteristics. Therefore, do NOT expect Auto Setup to return the same values for waveforms with different characteristics. Waveforms with different characteristics may require changes to the VOLTS/DIV and SEC/DIV settings in Auto Setup to size the waveform on screen, thereby yielding different amplitudes, periods, pulse widths, etc. on screen.*

- a. Recall the Initial Front-Panel Setup, labeled "FPNL" (see step i in "INITIAL SETUP" at the start of this procedure). Make the following changes to the front-panel setup:

Set: ASEC/DIV ..... 20  $\mu$ s

Select: VERTICAL MODE

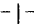
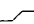
Set: CH 2 ..... Off

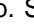

- b. Connect the output of the Pulse Generator (item 20) to the CH 1 OR X input connector through a Coaxial Cable, followed by a 10X Attenuator.
- c. Set the Pulse Generator's output for a 500 mV pk-pk amplitude with the peak levels  $\pm 250$  mV around the ground-reference indicator. (The ground-reference indicator is a small "+" at the left side of the screen).
- d. Set the Pulse Generator period for 100  $\mu$ s (5 divisions) and the pulse duration (positive duration) for approximately 25  $\mu$ s (1.25 divisions).

**NOTE**

*At this point, you should have a rectangular waveform with a 25% duty cycle (1/4 of the time Hi, 3/4 of the time LO) centered vertically on screen. (That is, its peaks should be equidistant from the center horizontal graticule line while its ground-reference indicator ("+") should be aligned to that same line.*

- e. Vertically position the waveform so that the ground-reference indicator ("+") is 2 divisions below the center horizontal graticule line. Then set the CH 1 VOLTS/DIV to 20 mV, so that the waveform is no longer contained vertically on screen.
- f. Push the front-panel button labeled AUTO to do an Auto Setup on the input waveform for CH 1.
- g. VERIFY—That the scope displays the Auto Setup menu and the message "AUTOS SETUP WORKING: PLEASE WAIT" as it acquires information about the CH 1 waveform.
- h. VERIFY—That the Auto Setup mode is VIEW (from the recalled front-panel setup).
- i. VERIFY (after the message is removed) —That the ground-reference indicator for the waveform (" +") is approximately aligned to the horizontal graticule line at center screen, and that the entire waveform is contained vertically within the graticule area. (The trigger point indicator, a small "T" riding on the waveform, should be approximately at horizontal center screen.)
- j. Vertically reposition the ground-reference indicator to 2 divisions below the center horizontal graticule line, then return the CH 1 VOLTS/DIV to 20 mV (same set up as part e).
- k. Select VERTICAL MODE and set CH 2 on. Then, disconnect the test setup at CH 1 and reconnect the Pulse Generator to both CH 1 OR X and CH 2 OR Y input connectors through the Coaxial Cable, followed by the 10X Attenuator, followed by a Dual-Input Coupler.
- l. Now, position the ground-reference indicator for CH 2 to 2 divisions above the center horizontal graticule line; then set CH 2 VOLTS/DIV to 20 mV.
- m. Push AUTO. VERIFY—That the scope scales both the CH 1 and CH 2 waveforms so that the CH 1 waveform is contained within the top half of the screen and the CH 2 waveform is contained within the bottom half. (Slightly adjust the vertical position knobs to see which is the CH 1 waveform and which is the CH 2 waveform.)
- n. Select Auto Setup and set PERIOD on. VERIFY—That the menu entry RES HI/LO appears with the setting LO selected.
- o. Disconnect the test setup at CH 1 OR X and CH 2 OR Y input connector, remove the Dual-Input Coupler from the setup, and reconnect the setup to the CH 1 OR X input connector. (Same connection as in part b.)

- p. Select VERTICAL MODE and set CH 2 off.
- q. Push the AUTO button. VERIFY—That between 1 and 2 cycles of the waveform are displayed on screen, with the amplitude contained within about ±2.25 divisions of center. (The amplitude is about 2.5 divisions for this particular input waveform.) The trigger-point indicator is near the beginning of the 20-division waveform record, and the Trigger SLOPE is positive (“+”).
- r. Set RES HI|LO to HI in the Auto Setup menu.
- s. Push AUTO. VERIFY—That the waveform is displayed with higher vertical resolution (more amplitude than in part q, about 5 divisions for this particular input waveform) and that the amplitude is contained vertically on screen. Also verify that about 1-2 cycles is included in the ENTIRE 20-division waveform record. Use the HORIZONTAL POSITION control to view the entire waveform. The trigger-point indicator is near the beginning of the record; the Trigger SLOPE is positive (“+”).
- t. Set RES HI|LO to LO and set PULSE on in the Auto Setup menu.
- u. Push AUTO. VERIFY —That the positive ¼-cycle of the waveform (that is, the pulse) is displayed on screen and that the amplitude is contained vertically within approximately ±2.25 divisions of center screen. (The amplitude is about 2.5 divisions for this particular input waveform.) The trigger-point indicator is near the beginning of the 20-division waveform record, and the Trigger SLOPE is positive (“+”).
- v. Set the A SEC/DIV to 20 µs, then set the Pulse Generator to produces COMPLEMENT pulse; that is, one with a negative 1/4-cycle pulse duration.
- w. Push AUTO. VERIFY—That the negative ¼-cycle of the waveform (in this case the pulse is negative-going) is displayed on screen and that the amplitude is contained vertically within approximately ±2.25 divisions of center screen. (The amplitude is about 2.5 divisions for this particular input waveform.) The trigger point indicator is near the beginning of the record; the Trigger SLOPE is negative (“-”).
- x. Set the RES HI|LO to HI.
- y. Push AUTO. VERIFY— That the negative ¼cycle of the waveform is displayed over about 10 of the 20 divisions in the waveform record, with the amplitude contained vertically on screen. (The amplitude is about 5 divisions for this particular input.) The trigger point indicator is near the beginning of the record; the Trigger SLOPE is negative (“-”).
- z. Set the RES HI|LO to LO and EDGE  to .

- aa. Push AUTO. VERIFY—That the rising (positive-going) edge of the waveform is displayed on screen with the trigger-point indicator at center screen. (Waveform amplitude is about 2.5 divisions for this particular input waveform).
- ab. Set EDGE  to .
- ac. Push AUTO. VERIFY—That the falling (negative-going) edge of the waveform is displayed on screen with the trigger-point at center screen. (The amplitude is about 2.5 divisions for this particular input waveform).
- ad. Set the RES HI|LO to HI.
- ae. Push AUTO. VERIFY—That the falling (negative-going) edge of the waveform is displayed over about 10 of the 20 divisions in the waveform record with the same triggering as for RES LO setting. (The amplitude is about 5 divisions for this particular input waveform.)
- af. Disconnect the test setup.

**5. Verify MEASURE for SNAPSHOT and Continuous-Update Modes.**

- a. Recall the Initial Front-Panel Setup, labeled “FPNL” (see step i in “INITIAL SETUP” at the start of this procedure). Make the following changes to the front-panel setup:
  - Select: VERTICAL MODE
  - Set: CH 2 . . . . . Off
  - Select: CH 1 COUPLING INVERT
  - Set: 50 Ω ON/OFF . . . . . Off
  - Select: CH 2 COUPLING INVERT
  - Set: 50 Ω ON/OFF . . . . . Off
- b. Connect the STD OUTPUT of the Calibration Generator to the CH 1 OR X and CH 2 OR Y input connectors via a Coaxial Cable and a Dual-Input Coupler.
- c. Set the output of the generator to 0.5 V.
- d. Push AUTO to do an AUTO setup on the CH 1 waveform. Since AUTO setup executed in VIEW mode, there should be several cycles of the square wave displayed on screen.
- e. Set PERIOD on in the Auto Setup menu. Push AUTO.
- f. Push MEASURE (next to PRGM, which is right of AUTO) to display that menu.
- g. Select SETUP in the menu. Set METHOD to HIST and MARK ON/OFF to ON.

- h. Push MEASURE again and select SNAPSHOT. VERIFY—That the SNAPSHOT menu is displaying values for 20 parameters approximately agreeing with the expected values. For instance, P-P (peak-to-peak) and TOP should be about 500 mV, and DUTY (duty cycle) should be about 50%.
- i. Set the Calibration Generator to 0.2 V.
- j. Push INIT@50% to set the A Trigger level.
- k. Push menu item AGAIN. VERIFY – That SNAPSHOT readout updates the parameters (P-P and TOP are now about 200 mV).
- l. Select VERTICAL MODE and set CH 2 on. Set the CH 2 VOLT/DIV to the same setting as CH 1.
- m. Push MEASURE and select SNAPSHOT. Push TARGET CH 2 in the menu displayed.
- n. VERIFY—That the parameter values are now displayed for CH 2 (screens read “SNAPSHOT OF CH 2”).
- o. Select VERTICAL MODE and set CH 2 off.
- p. Push MEASURE and set WINDOW ON/OFF to ON.
- q. Select MEAS TYPE in the menu and use the direction arrows in the displayed menu to move the underline to PK-PK and press the ON button to display the parameter. Repeat for BASE, FREQ, and PERIOD. VERIFY—That as each is turned on the value displayed approximately agrees with the expected values (200 mV, 0V, 1 kHz, and 1 ms, respectively).
- r. VERIFY—That two X’s (MARKs) bracket one cycle of the squarewave to indicate where FREQ and PERIOD are being measured (MARKs are displayed for time measurements only).
- s. Push CURSOR FUNCTION and set TIME on in the menu displayed.
- t. Use the CURSOR/DELAY knob to adjust the active cursor to the center of one positive ½-cycle of the waveform.
- u. Push CURSOR SELECT to select the alternate cursor. Adjust it to the center of the following negative 1/2-cycle of the waveform.
- v. VERIFY—That the BASE and PK-PK values displayed are still approximately correct, but the values for FREQ and PERIOD are replaced with the message “NEED 3 EDGES”.
- w. Adjust the active cursor to the same 1/2-cycle as the other cursor. VERIFY—That the PK-PK value drops to approximately 0 V.

- x. Use the CURSOR/DELAY and SELECT controls to bracket slightly more than one cycle (3 EDGES) of the waveform. All 4 parameters should be as verified in part q.
- y. Disconnect the test setup.

**6. Verify Operation of the Auto Step Sequencer.**

- a. Recall the Initial Front-Panel Setup, labeled “FPNL” (see step i in “INITIAL SETUP” at the start of this procedure). Make the following changes to the front-panel setup:

```

Select: TRIGGER MODE
Set:    AUTO .....On

Select: VERTICAL MODE
Set:    CH 2 ..... Off
Set:    ASEC/DIV .....50 ms
    
```

- b. Press the PRGM front-panel button. VERIFY –The AUTOSTEP SEQUENCER menu is displayed.
- c. Press the SAVE menu button. This calls up a sub-menu for labeling the front-panel setup with a 1-6 character name so it can be recalled later.
- d. VERIFY—That a sequence can be labeled and that label saved by doing the following:

Use the arrows under ROLL-CHARS to create a label (use TEST 1) for the front-panel setup as outlined here in steps 1-3:

1. Select the first character for the label. Use the arrow-labeled buttons to select the first letter for the sequence label. Press the ↓ button to step forward in the alphabet and digits (0-9) and the ↑ button to step backwards. Holding down the buttons moves through the characters continuously; a single press moves forward or backward one character. (There is a “blank space” character between the digit 9 and letter A.)
  2. When you have displayed the letter for the first character of the label, push CURSOR <> to move to the next character, Repeat part 1 to select the letter for the next character of your label.
  3. Repeat the last step until “TEST 1” is spelled out. (You can return to any character by continually pushing CURSOR <>, since it reverses the selection order after the first and sixth character is selected.)
- e. Push menu button labeled SAVE when the label is complete.
  - f. VERIFY—That, when SAVE is pushed, the scope displays a message indicating “SEQUENCE TEST 1 STEP 1” and the remaining memory in percent.

- g. Position the CH 1 trace to the graticule line 3 divisions above graticule center. Push PRGM to advance to sequencer step 1 actions.
- h. VERIFY—That the SET STEP ACTIONS for Step 1 is displayed.
- i. Use the arrow buttons to move the underline to the “ < N >” following the ACTION called REPEAT. Push YIN to toggle the action to Y (“Y” stands for Yes or On).
- j. Now move the underline to the ACTION called BELL, and turn BELL on (set to Y). Using the same procedure, turn PAUSE on also.
- k. Push NEXT STEP. VERIFY —That the on-screen message indicates STEP 2.
- l. Position the CH 1 trace to the graticule line 1 division above graticule center. Push PRGM to advance to sequencer step 2 actions.
- m. VERIFY—That REPEAT, PAUSE, and BELL are the only actions on.
- n. Push YIN to turn REPEAT off. Push NEXT STEP.
- o. The message should now say STEP 3. Position the CH 1 trace to the graticule line 1 division below graticule center. Push PRGM to advance to sequencer step 3 actions.
- p. VERIFY—that PAUSE and BELL are the only actions on. Push NEXT STEP to advance to sequencer step 4.
- q. Position the CH 1 trace to the graticule line 3 divisions below graticule center. Push PRGM to advance to sequencer step 4 actions. PAUSE and BELL should be the only action on.
- r. Push SAVE SEQ to save the sequence. VERIFY—That the main AUTOSTEP SEQUENCER menu is returned and the message “SEQUENCE SAVED” is displayed.
- s. Push RECALL to display the menu for recalling sequences. VERIFY—That TEST1 appears in the list of CURRENT SEQUENCES.
- t. Use the arrow buttons to move the underline (select) TEST1.
- u. Push RECALL. VERIFY—That the BELL rings and the setup stored as step 1 is displayed. The CH 1 trace should be located 3 divisions above graticule center.
- v. Push PRGM (front-panel button). VERIFY—That the BELL rings and the setup stored as step 2 is displayed. The CH 1 trace should be located 1 division above graticule center.
- w. Push PRGM. VERIFY—That the BELL rings and the setup stored as step 3 is displayed. The CH 1 trace should be located 1 division below graticule center.
- x. Push PRGM. VERIFY—That the BELL rings and the setup stored as step 4 is displayed. The CH 1 trace should be located 3 divisions below graticule center.
- y. Push PRGM. VERIFY—That the BELL rings and the sequence loops back to display step 1 of the sequence.
- z. Connect the STEP COMPLETE output BNC (located on rear panel) to the banana plug inputs of a Digital Voltmeter (DMM) via a Coaxial Cable and a BNC Female-to-Dual Banana Adapter. When connecting the BNC Female-to-Dual Banana Adapter to the DMM, put the side with the bump marked “GND” to the LOW or (-) input jack.
  - aa. Set the DMM to the 20 DC VOLTS range. CHECK—That the DMM reading is  $\leq 0.5$  V.
  - ab. Push PRGM to advance to sequence step 2. CHECK—That the DMM reading momentarily jumps to a level  $\geq 2.5$  V and  $\leq 3.5$  V before returning to the level measured in subpart aa.
  - ac. Move the Coaxial Cable from the STEP COMPLETE output to the SEQUENCE OUT output BNC. CHECK—That the DMM reading is  $\geq 2.5$  V and  $\leq 3.5$  V.
  - ad. Push PRGM once to advance to sequence step 3. Wait until step 3 is loaded and then push PRGM again to advance to step 4.
  - ae. CHECK – That the DMM reading is  $\leq 0.5$  V.
  - af. Disconnect the coaxial cable from the SEQUENCE OUT output BNC.
  - ag. Connect the square wave output of a generator (such as Item 19) capable of outputting nominal TTL levels to the SEQUENCE IN input BNC via a Coaxial Cable. Set the output frequency of the generator to 10 Hz.
  - ah. VERIFY—That the scope continuously loops through sequencer steps 1 to 4 in response to the generator input.
  - ai. Disconnect the Coaxial Cable from the SEQUENCE IN BNC.
  - aj. Push EXIT. VERIFY—That the RECALL menu is returned.

ak. Push EXIT. VERIFY-That the main AUTOSTEP SE-QUENCER menu is returned.

**7. GPIB Functionality Verification.**

**NOTE**

*Verification of Step 7 assumes a TEKTRONIX 2402A Tekmate Controller will be used for verifying GPIB Functionally.*

- a. Recall the initial Front-Panel Setup, labeled "FPNL" (see step i in "INITIAL SETUP" at the start of this procedure). Make the following changes to the front-panel setup:
- b. Push SETUP OUTPUT (the button to the lower right of SEC/DIV control) and press the menu button labeled SETUP (menu will change).
- c. Press the OUTPUT SETUP menu button labeled MODE to display that menu.
- d. Set T/L on. VERIFY-That the ADDR light is off.
- e. Set L/ONLY on. VERIFY-That the ADDR light is on.
- f. Set T/ONLY on. VERIFY -That the ADDR light remains on.
- g. Push SETUP OUTPUT and press the menu button labeled SETUP.
- h. Press the OUTPUT SETUP menu button labeled MODE to display that menu.
- i. Set T/L on.
- j. Push SETUP OUTPUT and press the menu button labeled SETUP.
- k. Press the menu button labeled ADDR to select that menu.
- l. Press the menu button labeled ↑ or ↓ to set the GPIB ADDRESS to 1. The ↑ increments the address and the ↓ decrements it.
- m. Push SETUP OUTPUT and press the menu button labeled SETUP.
- n. Press the menu button labeled TERM.
- o. Set EOI on.
- p. Connect the 2402A Tekmate to the oscilloscope's rear-panel GPIB CONNECTOR using the GPIB cable.

- q. insert a bootable DSO Utility Software disk in drive A of the 2402A (software included with 2402A).
- r. Turn on the 2402A Tekmate. After about 30 seconds the DSO SHELL menu should appear on the oscilloscope's screen.
- s. Push SELECT to select RUN APPLICATIONS.
- t. Push SELECT to select DSOAPF.EXE. (Notice the disk drive light will be lit as the program is being loaded, this will take about 30 seconds.)
- u. Push SELECT to run the DATA TRANSFERS application.
- v. Press the menu button labeled NEXT until the asterisk is beside the SAVE DSO SETUP TO DISK selection.
- w. Push SELECT to run this application.
- x. Push SELECT to activate a TRANSFER PANEL SET-UP TO DISK operation. (Notice the disk drive light will be lit as the front panel setup is saved to the disk, when the operation is complete the file name that the front panel was saved to will be displayed in the bottom left of the oscilloscope's screen.)
- y. Push PRGM (the button located below the AI B SEC/DIV knob).
- z. Note the settings the scope is set to for step af. Select the INIT PANEL menu button.
- aa. Push SAVE (the button located in the top right of the front panel).
- ab. Push MENU OFF (the button located next to the power switch). (Notice the TRANSFER PARAMETERS menu returns.)
- ac. Press the menu button labeled CANCEL to return the TRANSFER Operations menu.
- ad. Press the menu button labeled NEXT until the asterisk is next to the RESTORE DSO SETUP FROM DISK menu item.
- ae. Push SELECT to run this application.
- af. Push SELECT to TRANSFER to the scope the front panel setup saved in step x. (Notice the light on the disk drive is lit as the Front Panel is being transferred. The scope should be set up as it was before initialization of the front panel in step z.)
- ag. Disconnect the test setup.

**8. Check A TRIGGER and RECORD TRIGGER Outputs for Logic Polarity and Minimum HI/LO (50-Ω loads).**

Recall the Initial Front-Panel Setup, labeled "FPNU" (see step i in "INITIAL SETUP" at the start of this procedure). Make the following changes to the front-panel setup:

Select: CH 1 COUPLING/INVERT  
 Set: 50 Ω ON/OFF . . . . . OFF

Select: CH 2 COUPLING/INVERT  
 Set: 50 Ω ON/OFF . . . . . OFF

set: CH 1 VOLTS/DIV . . . . .200 mV  
 CH 2 VOLTS/DIV . . . . .200 mV

Select: TRIGGER SOURCE  
 Set: LINE . . . . .On

- b. Connect the RECORD TRIGGER OUTPUT (rear panel) to the CH 1 input connector via a Coaxial Cable and a Termination.
- c. Connect the TRIGGER OUTPUT (rear panel) to the CH 2 input connector via a Coaxial Cable and a Termination.
- d. Using the CH 1 and CH 2 VERTICAL POSITION controls, position the CH 1 waveform to the top-half of the screen and the CH 2 to the bottom-half for easy viewing.
- e. CHECK –That both of the waveforms are displayed with their falling edges aligned to the Trigger Point Indicator (a small "T" riding on each waveform).
- f. Select CURSORS FUNCTION and set VOLTS ON.
- g. Select CURSOR UNITS and set Δ IABS to ABS.
- h. Use the CURSOR/DELAY control to align the Voltage cursor to the top flat portion of the CH 1 waveform.
- i. CHECK –That the Cursor Readout indicates a voltage ≥ 450 mV.
- j. Align the Voltage cursor to the bottom flat portion of the CH 1 waveform.
- k. CHECK –That the Cursor Readout indicates a voltage ≤ 150 mV.
- l. Press the CURSOR FUNCTION button twice to display the Attach Cursors menu and set CH 2 on for the displayed menu.

- m. Repeat parts h through k, aligning the cursor to the CH 2 waveform instead of the CH 1.
- n. Disconnect the test setups.

**9. Verify Teksecure Erase Memory Function.**



*PERFORMANCE OF THIS STEP (9) IS OPTIONAL. If performed, it will erase from sequencer memory the Initial Setup established and stored at the beginning of this procedure. Any other sequences, stored reference waveforms, and waveforms saved on screen will be irretrievably lost.*

This step uses the front panel to verify that the Teksecure Erase Memory feature erases sequencer and reference memories, as well as any waveforms currently saved on screen. It also verifies that the current front-panel setup is changed to the default values normally established when an INIT PANEL is performed.

- a. Recall the Initial Front-Panel Setup, labeled "FPNL" (see Step i in "INITIAL SETUP" at the start of this procedure).

Select: TRIGGER MODE  
 Set: AUTO . . . . .On

Select: VERTICAL MODE  
 Set: CH 2 . . . . . Off  
 Set: CH 1 VOLTS/DIV . . . . .5 V  
 A SEC/DIV . . . . . 100 μs

- b. Save CH 1 trace in REF memory 1: Position the CH 1 trace to the graticule line 3 divisions above center screen, then push STORAGE SAVE to display the SAVEREF SOURCE menu. Now push CH 1 in the menu and, when the menu changes, push REF1.
- c. Reposition CH 1 trace and save in REF memory 2: Position the CH 1 trace to the graticule line 1 division above center screen. Now push CH 1 and, when the menu changes, push REF2.
- d. Reposition CH 1 trace and save in REF memory 3: Position the CH 1 trace to the graticule line 1 division below center screen. Now push CH 1 and, when the menu changes, push REF3.
- e. Reposition CH 1 trace and save in REF memory 4: Position the CH 1 trace to the graticule line 3 divisions below center screen. Now push CH 1 and, when the menu changes, push REF4.

- f. Reposition CH 1 trace and display REF memories 1-4: Push ACQUIRE and move the “live” CH 1 trace to the bottom of the graticule. Push DISPLAY REF, and then set REF1 through REF4 on to display the saved CH 1 traces. Five traces should now be displayed.
- g. Display Teksecure Erase Memory menu: Push the front-panel button labeled “MENU OFF/EXTENDED FUNCTIONS” twice to display the Extended Functions menu. Next, push SYSTEM and, when the menu changes, push PANEL. Now push the TEKSECURE ERASE MEMORY to display that menu.

**NOTE**

*If the SELF TEST fails and causes the Extended Diagnostics menu to be displayed, continue with part i of this procedure. Otherwise, skip to part j to verify the memory status.*

- h. Execute Teksecure Erase Memory: Push ERASE. The instrument screen will blank momentarily and then the message “RUNNING SELF TEST” will appear.
- i. Failure of the SELF TEST that runs when Erase Memory is executed – even for reasons not related to internal RAM memory blocks – causes the Extended Diagnostics menu to be displayed, rather than the Teksecure Status menu. If this is *not* the case, continue this procedure at part j. If the Extended Diagnostics menu *is* displayed, do the following:
  1. Push the MENU OFF/EXTENDED FUNCTIONS button once to force display of the Teksecure Status menu.
  2. Perform part j and determine the Erase Memory status as instructed.
  3. If status is determined ERASED, continue this procedure at part k; otherwise, perform part g again to access the Teksecure Erase Memory menu, and push ERASE to execute another Erase Memory. Then, if the Erase Memory Status menu is not already displayed, push the MENU OFF/EXTENDED FUNCTIONS button once to force the display of the Teksecure Status menu. Now perform part j, and, if the status is not ERASED, refer the instrument to qualified service personnel for repair.

**NOTE**

*Even if the Erase Memory status is determined successfully, the failure that resulted in the SELF TEST failure should be serviced. After completing this procedure, run the Self Calibration procedure, followed by the Self Diagnostics procedure. (See Sections 5 and 6 of this manual for instructions on how to perform these procedures). If both are not successful, refer the instrument to qualified service personnel.*

- j. VERIFY– Internal memory status: After the SELF TEST is completed, confirm that the message ERASED appears immediately following the TEKSECURE ERASE MEMORY STATUS caption, as well as after each of the captions for the individual blocks of RAM memory. If FAILED appears after any caption, perform parts g and h again to reexecute an Erase Memory. If status is still FAILED, this verification fails and the instrument should be referred to qualified service personnel for repair.
- k. VERIFY – Front-panel and screen status: Confirm that CH 1 is set to 100 mV (was set to 5 V in part a) and that the A SEC/DIV is set to 1 ms (was set to 100  $\mu$ s in part a). Confirm that the four traces that were saved in and displayed from REF memories 1-4 are no longer displayed, and that the “live” CH 1 trace is displayed at or near center screen.
- l. VERIFY– Reference Memory status: Push DISPLAY REF. Confirm that the status “EMPTY” is displayed above the REF 1-4 labels in that menu. Now use the menu buttons to first display and then remove each REF memory. Confirm that each memory displays an invalid “waveform;” that is, a horizontal line at center screen that is broken by (alternates with) full-screen fill areas.
- m. VERIFY– Sequencer Memory Status: Push PRGM to display the AUTOSTEP SEQUENCER menu; then push RECALL to switch to the menu for recalling sequences. Confirm that the label FPNL (the label for the Initial Setup sequence), is no longer listed for recall. Further, confirm that no other sequences are listed for recall.

Confirmation of parts j through m constitutes a verification of the Teksecure Erase Memory feature.



# Section 5

# ADJUSTMENT PROCEDURE

## INTRODUCTION

### IMPORTANT– PLEASE READ BEFORE USING THIS PROCEDURE

This procedure is used to return the instrument to conformance with its “Performance Requirements” as listed in the *Specification* (Section 1). It can also be used to optimize the performance of the instrument. As a general rule, these adjustments should be performed every 2000 hours of operation or once a year if used infrequently.

The *Adjustment Procedure* consists of two subsections. The first subsection is “Internal Adjustments.” Step 1 of this subsection, “Display Adjustments,” uses display test patterns generated internally by the instrument. Steps 2 through 5 require external generators to provide signals for the test displays. In all steps of “Internal Adjustments” internal controls must be adjusted (cabinet removal is required). An internal jumper must also be pulled off to enable the menu choices for the Extended Calibration menu. This menu must be enabled to perform “Display Adjustments”.

The second subsection is “Self Calibration.” SELF CAL is a fully automatic procedure initiated by the user from the front panel. No external signals or internal adjustments are required, and beyond starting the procedure, no further action is needed for the user to do a SELF CAL. The instrument cabinet must be installed to obtain a proper SELF CAL, and the Self Calibration subsection must be done and passed before going onto the third subsection of the *Adjustment Procedure*.

### CALIBRATION SEQUENCE AND PARTIAL PROCEDURES

To completely calibrate this instrument, all steps of this procedure should be performed, completely and in sequence. Individual steps in the Internal Adjustments subsection can be omitted if a complete calibration is not needed. Individual substeps (parts) in “Display Adjustments” (Internal Adjustments subsection) can be skipped by advancing to the next display.

While a Self Calibration must be performed before doing the External Adjustments, it can also be performed any time the instrument is installed in its cabinet, optimizing the instrument’s performance for the existing environment. The internal jumper removed for performance of the Internal Adjustments does not affect Self Calibration.

### WARM-UP TIME REQUIREMENTS

This oscilloscope requires adequate warm-up time in a 20°C to 30°C environment before performing the calibration routines and adjustments in this procedure. Calibration performed before the operating temperature has stabilized may cause an erroneous calibration. The adjustment procedure indicates the duration of the warm-up periods and the points in the procedure at which they should be allowed.

## PRESERVATION OF INSTRUMENT CALIBRATION

The Internal Adjustments requires enabling the EXTENDED CALIBRATION menu. Since the internal calibration constants stored can be altered by the user if the EXTENDED CALIBRATION menu is enabled, this menu is disabled by the installation of an internal jumper. REINSTALLATION OF THE INTERNAL JUMPER TO

PREVENT INADVERTENT ALTERING OF INTERNAL CALIBRATION CONSTANTS BY USERS IS RECOMMENDED. Performance of a Self Calibration only, without performance of the internal adjustments subsection, does not require the removal of the jumper or cabinet.

### NOTE

*The Extended Calibration menu can also be accessed via the GPIB (General Purpose Interface Bus).*

# INTERNAL ADJUSTMENTS

## Equipment Required (see table 4-1)

Leveled Sine-Wave Generator (Item 1)	10X Attenuator (Item 12)
Calibration Generator (Item 2)	Dual-Input Coupler (Item 17)
Coaxial Cable (Item 9)	Alignment Tool (Item 21)
Precision Coaxial Cable (Item 10)	Normalizer (Item 22)
Termination (Item 11)	

### 1. Display Adjustments.

- a. Remove the cabinet from the instrument (see "Removal and Replacement Procedure" in the *Maintenance* section of this manual). Remove jumper J156 from P156 on the Side Board (on right side of instrument near the rear).



*Operation (for more than a few minutes) of the scope without its cabinet installed requires that cooling be provided for the components on the A 10-Main Board. Use a small fan to direct air across the finned heatsinks on that board. The fan used should have the same airflow capability as the fan used in the scope. The CFM (cubic feet per minute) specification for the instrument's fan is 35 CFM at 0 H<sub>2</sub>O (essentially, open air). Do NOT remove the fan from the scope for use in cooling the A 10-Main Board, as critical components in other sections of the instrument may overheat.*

- b. Connect the instrument to a suitable power source and power it ON. Allow a 10 minute warm up before performing the rest of this subsection.
- c. Press the MENU OFF/EXTENDED FUNCTIONS button once or twice (two presses are necessary if any menu is presently displayed, one press if no menu is displayed) to display the EXT FUNCT Functions menu.
- d. Press the menu button labeled CAL/DIAG (menu will change).
- e. Press the menu button labeled EXT CAL to display the EXT CAL menu.

- f. Press the menu button labeled ADJUSTS (Display 1 will appear).
- g. ADJUST—The ASTIG and FOCUS front panel controls for best definition of the displayed dot.
- h. Press any menu button to advance to Display 2.

#### NOTE

*All adjustment controls associated with Displays 2 and 3 that are not designated front panel controls are located between the fan and the high-voltage shield on the A17-High Voltage Board of the instrument.*

- i. ADJUST— R100 (Grid Bias control) as necessary to display two dots. Continue to adjust R100 just until one dot disappears, leaving the other dot displayed.
- j. Press any menu button to advance to Display 3.
- k. ADJUST—The ASTIG and FOCUS front panel controls and R300 (Edge Focus control) for most uniform focus over the entire displayed pattern.
- l. ADJUST—The TRACE ROTATION front panel control to align the horizontal lines of the displayed pattern parallel to the horizontal graticule lines.
- m. ADJUST— R305 (the Y-AXIS Alignment control) to align the vertical lines of the displayed pattern parallel to the vertical graticule lines.
- n. REPEAT— Parts l and m to obtain best overall alignment.
- o. ADJUST— R200 (Geometry control) for the least curvature overall of the display lines at the vertical and horizontal edges of the CRT screen.
- p. ADJUST— R300 (Edge Focus control) for best focus along the edges of the CRT screen.

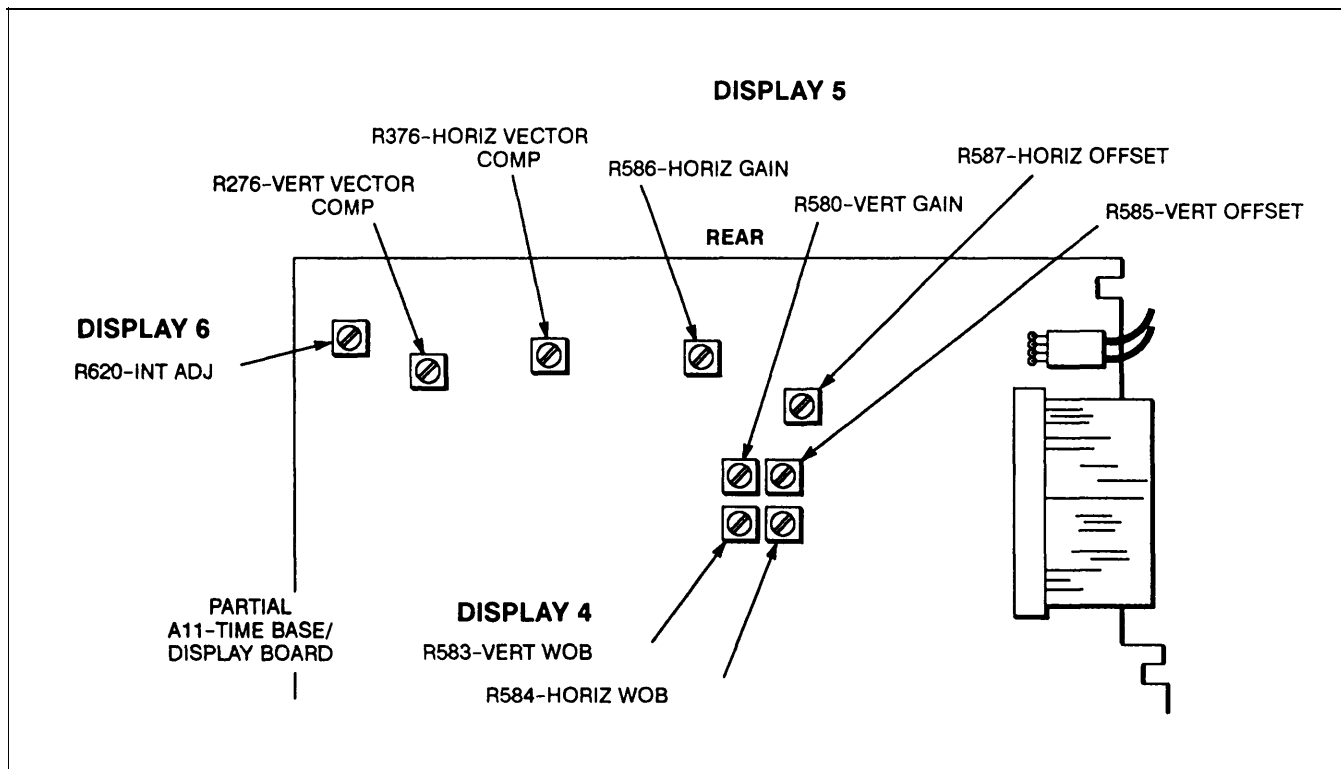


Figure 5-1. Adjustment locations for Displays 4 through 6.

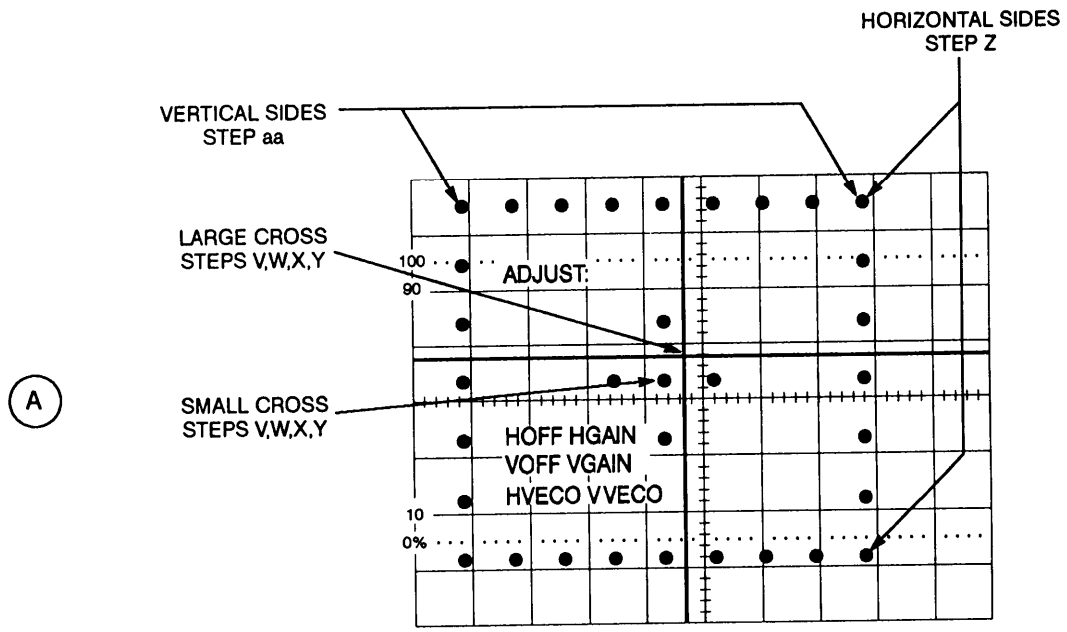
- q. Set the intensity control (front panel) for maximum brightness of the display, ADJUST –R400 (High Drive Focus) for best overall focus of the displayed pattern.
- r. Return the INTENSITY control to approximately the same setting in effect prior to part p and repeat parts p and q for best focus compromise between the two intensity settings.
- s. Press any menu button to advance to Display 4. Note that all adjustment controls associated with this display are located on the top circuit board near the rear of the instrument (see Figure 5-1).
- t. ADJUST –R583 VERT WOB (Vertical Spot-wobble control) and R584 HOR WOB (Horizontal Spot-wobble control) for maximum overall definition of the displayed dot pattern (only one dot visible at each graticule line intersection where a dot is displayed).
- u. Press any menu button to advance to Display 5. Note that all adjustment controls associated with this display are located on the top circuit board near the rear of the instrument (see Figure 5-1).

**NOTE**

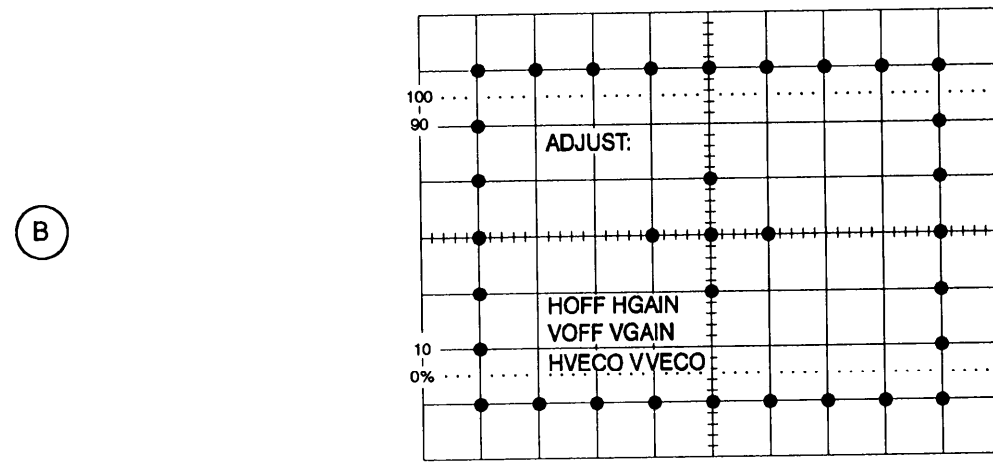
*The display generated by performing parts is composed of a "rectangle" of dots, a small "cross" of 5 dots, and a large "cross" of 2 vectors. Calibration for this display consists of aligning the small cross to the large one (parts v and w), then aligning both crosses to the center graticule lines (parts x and y), and finally, adjusting the horizontal sides of the rectangle for 6 divisions of separation and the vertical sides for 8 divisions of separation (parts z and aa). See Figure 5-2 (a and b).*

**NOTE**

*When the Spot-wobble compensation is bad/y out of adjustment, three dots will be visible at each of the 33 dot locations. ADJUST– R583 or R584 to align the dots in either a vertically or horizontally oriented line, then use the other control to adjust for only one dot at each dot location (all three dots superimposed).*



Typical display (No. 5) needing adjustment. Arrows designate display components and procedure steps affecting those components.



Typical display (No. 5) when horizontal and vertical offsets, gains and vector compensations are correctly adjusted.

Figure 5-2. (a and b). Display 5 –Vertical and Horizontal Gain, Offset, and Vector Compensation adjustments pattern.

- v. ADJUST –R276 Vert Vector Comp (Vertical Vector Compensation control) to align the 3 vertically oriented dots of the small cross pattern to the vertical vector of the large cross pattern.
- w. ADJUST– R376 Horiz Vector Comp (Horizontal Vector Compensation control) to align the 3 horizontally oriented dots of the small cross pattern to the horizontal vector of the large cross pattern.
- x. ADJUST –R585 Vert Offset (Vertical Offset control) to precisely align the horizontal vector of the displayed pattern to the center horizontal graticule line.
- y. ADJUST –R587 Horiz Offset (Horizontal Offset control) to precisely align the vertical vector of the displayed pattern to the center vertical graticule line.
- z. ADJUST– R580 Vert Gain (Vertical Gain Control) to space the horizontal sides of the rectangle exactly 6 divisions apart.
- aa. ADJUST –R586 Horiz Gain (Horizontal Gain control) to space the vertical sides of the rectangle exactly 8 divisions apart.
- ab. Press any menu button to advance to Display 6. Note that the adjustment control associated with this display is located on the top circuit board near the left rear corner of the instrument (see fig. 5-1).
- ac. ADJUST– R620 Int Adj (Integrator Time control) for best front corner (minimum roll-up or roll-off) of the high-frequency (filled) portion of the display. See Figure 5-3 for further detail.
- ad. Skip to Step 2, “Sample Skew and Delay Match Adjustment,” unless the instrument did not meet the LF linearity requirements as specified in the Performance Check and Functional Verification Procedure. If the remaining subparts (ae through ak) are not to be performed, reinstall J156 now.

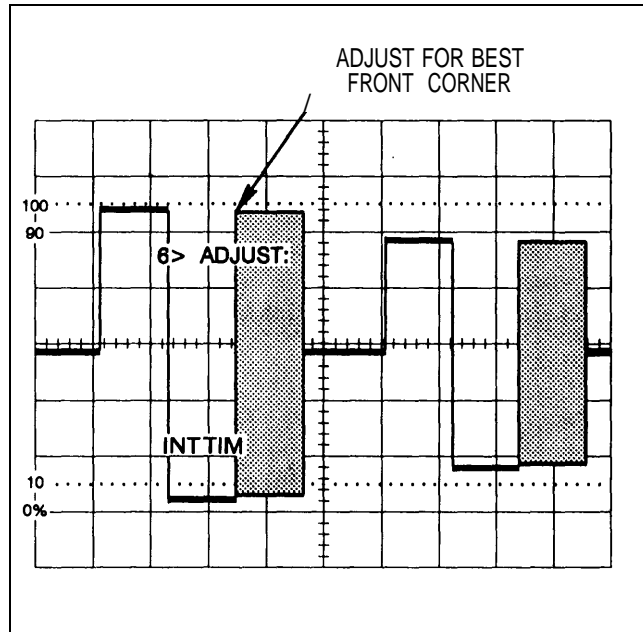


Figure 5-3. Integrator Time adjustment pattern.

**IMPORTANT**

**READ THE FOLLOWING NOTE BEFORE CONTINUING WITH THIS PROCEDURE**

**NOTE**

*The CCD gain adjustments (R768, R769, R877, & R688) called out in the following steps should only be performed if the instrument did not meet the LF linearity specifications as checked in the Performance Check and Functional Verification Procedure. These adjustments were preset at the factory to their optimum setting and further adjustment may result in reduced instrument performance.*

If it is determined that the CCD gains need to be adjusted, jumper J156 will need to be removed and a COLD START of the instrument done to preset the CM 11, CM13, CM21, and CM23 DAC values to 1400. Once the instrument is cold started and the CCD gain adjustments made, the “Self Calibration” subsection of this procedure must be performed after the remaining adjustments in this subsection are completed.

- ae. Push the MENU OFF/EXTENDED FUNCTIONS button twice to display the EXT FUNCT menu on screen. Push SPECIAL to display that menu.

- af. Push the menu button labeled COLD START to cold start the instrument.
- ag. Perform subparts c through e of step 1 to redisplay the EXT CAL menu. Push ADJUSTS seven times to advance through the displays to the CH 1 CCD gain adjust display (screen will display “ADJUST CH 1...”).
- ah. Adjust the Channel 1 CCD gains (R768 and R769) for approximately four-divisions of each display.

**NOTE**

*The R768 and R769 for Channel 1 and R877 and R688 for CH 2 CCL) gains are found on the left-rear corner of the A10-Main Board.*

- ai. Press any menu button to advance to the Channel 2 CCD gain adjust display.
- aj. Adjust the Channel 2 CCD gains (R877 and R688) for approximately four-divisions of each display.
- ak. Recheck the LF linearity as described in the Performance Check procedure to see if the instrument now meets specifications. If the instrument passes this check, continue with this Adjustment Procedure. If LF linearity still fails, decrease the CCD gains of the failing channel by approximately one minor division and recheck linearity.

**NOTE**

*For best instrument performance, keep the CCD gains adjusted as close to 4 divisions as possible while meeting the LF linearity checks.*

**2. Sample Skew and Delay Match Adjustment.**

- a. If a menu is displayed press the MENU OFF/EXTENDED FUNCTIONS button to remove it from the screen. Press the PRGM front-panel button, then press the INIT PANEL menu button. *Do NOT change the CH 1 and CH 2 VERTICAL POSITION throughout this check.* Make the following changes to the front panel setup:

Set: A SEC/DIV .....500 ns  
 Select: CH 1 COUPLING INVERT  
 Set: 50 Ω ONIOFF .....ON  
 Select: CH 2 COUPLING INVERT  
 Set: 50 Ω ONIOFF .....ON

- b. Connect the output of the Leveled Sine-Wave Generator to the CH 1 OR X and CH 2 OR Y input connectors via a Precision Coaxial Cable and a Dual-Input Coupler.
- c. Set the Leveled Sine-Wave Generator output level for a 6-division display at a frequency of 1 MHz, then change the output frequency to 100 MHz.

**NOTE**

*Part a sets the A SEC/DIV control to an acquisition rate (500 ns) lower than required to properly display the 100-MHz sine wave set in part c. Part d requires that the Leveled Sine-Wave Generator output frequency be varied slightly (about ± 100 kHz) to create an “aliased” display. The aliased sine wave appears as if untriggered and as if its frequency is much lower than 100-MHz sine wave set in part c. Vary the Leveled Sine-Wave Generator output frequency in part d until only one or two cycles of the untriggered sine wave are displayed. Use a Leveled Sine-Wave Generator with a highly stable frequency output, such as the TEKTRONIX SG 503.*

- d. Vary the Leveled Sine-Wave Generator output frequency slightly (if required) to alias the display as outlined in the previous NOTE. Now,  $t_0$  reduce the “jitter” of the display, select TRIGGER MODE, set to AUTO in the menu, and then adjust the TRIGGER LEVEL control for the maximum TRIGGER LEVEL readout (here, 1.80 V).
- e. ADJUST –SAM-SKEW1 (R475), located just forward of the smaller, finned heat sink near the center-rear edge of the Main board, for best definition (least width or fuzziness) of the rising and falling portions of the sine wave. Adjust for best compromise between the definition of the rising and falling portions of the sine wave.

**NOTE**

*When performing part e, h, and i, it may be helpful to toggle between STORAGE ACQUIRE (while making the adjustment) and SAVE (while checking for best adjustment) modes.*

- f. ADJUST –C353 and C354, located between U440 and U450 on the main board, for the best definition (least separation or fuzziness) on the top and bottom of the sine wave.
- g. Select VERTICAL MODE and set CH 2 on and CH 1 off.

- h. ADJUST–SAM-SKEW2 (R458), located near SAM-SKEW1 (R475), for best definition (least width or fuzziness) of the rising and falling portions of the sine wave. Adjust for best compromise between the definition of the rising and falling portions of the sine wave.
- i. ADJUST –C351 and C352, located between U340 and U350 on the main board, for the best definition (least separation or fuzziness) on the top and bottom of the sine wave.
- j. Select VERTICAL MODE and set CH 1 on and CH 2 off. Repeat Step e, if necessary, to achieve definition of the rising and falling portions of the sine wave.
- k. Select VERTICAL MODE and set CH 1 and CH 2 both on. Select BANDWIDTH and set SMOOTH to ON in the menu.
- l. ADJUST– DLY-MATCH (C356), located just forward of the SAM-SKEW2 (R458), for minimum separation of the CH 1 and CH 2 sine waves at the points they cross the center horizontal graticule line. Select BANDWIDTH and set SMOOTH back to OFF when finished.
- m. Select VERTICAL MODE and set CH 1 on and CH 2 off. Repeat steps e through l to fine tune the sample-skew and delay-match adjustments.
- n. Disconnect the test setup.

**3. CH 1 and CH 2 Charge-Transfer Efficiency (R865 and R864).**

- a. If a menu is displayed, press the MENU OFF/EXTENDED FUNCTIONS button to remove it from the screen. Select SETUP PRGM and press the menu button labeled INIT PANEL. Make the following changes to the front panel setup:

Set: A SEC/DIV . . . . . 500ns  
 Select: CH 1 COUPLING INVERT  
 Set: 50Ω ONIOFF . . . . . ON  
 Select: CH 2 COUPLING INVERT  
 Set: 50 Ω ONIOFF . . . . . ON

- b. Connect the FAST RISE output of a Calibration Generator to the CH 1 OR X and CH 2 OR Y input connectors through a Coaxial Cable and a Dual-I nput Coupler.
- c. Set the Calibration Generator output for a 6-division display at a frequency of approximately 10kHz in CH 1. Vertically center the display on screen.

- d. Push MENU OFF/EXTENDED FUNCTIONS twice; then SPECIAL; then CCD ADJ. “CCD-GAIN-CORR ONIOFF” will be displayed in the menu. Push the menu button labeled by the downward-pointing arrow once to display the CCD-CTE-CORR menu entry; then rotate the INTENSITY knob until CCD-CTE-Correction is OFF (underline will move to OFF).
- e. ADJUST–CTE1 (R865) for minimum amplitude of the high-frequency “spikes” on the top and bottom flat portions of the pulse. (These spikes are negative going on the top flat portion, and positive going on the bottom portion, of the pulse.) Compromise the adjustment for minimum spike amplitude on both the top and bottom portions of the pulse. (R865 is located near the middle of the rear edge of the AI O-Main Board, just forward of U863.)
- f. Select VERTICAL MODE and set CH 2 on and CH 1 off.
- g. Repeat part e, adjusting CTE2 (R864) instead of CTE1. (R864 is located near the middle of the rear edge of the AI O-Main Board, just toward the rear from U862 and U863.)
- h. Repeat part d, turning CCD-CTE-CORR back to ON instead of OFF.

**NOTE**

*Part i that follows requires that the Self-Calibration procedure found later in this section be performed. Performing a SELF CAL here stores internal calibration constants adequate to ensure the remainder of the adjustments in this subsection (“internal Calibration”) are valid. It is still necessary to perform the Self-Calibration procedure at the “usual” time, that is, after finishing the Internal-Calibration.*

- i. Do a SELF CAL: Skip to, and perform, the procedure found under SELF CALIBRATION in this section; however, do not install the instrument cabinet before performing the procedure.
- j. Disconnect the test setup.

**4. CH 1 and CH 2 Input Capacitance Adjustment (C414 and C31 1).**

- a. If a menu is displayed, press the MENU OFF/EXTENDED FUNCTIONS button to remove it from the screen. Select SETUP PRGM and press the menu button labeled INIT PANEL. Make the following changes to the front panel setup:

Set: A SEC/DIV . . . . . 100μs



- b. Connect the HIGH AMPLITUDE output of the Calibration Generator to the CH 1 OR X input connector via a Precision Coaxial Cable, a Termination, and an adjustable Normalizer.
- c. Set the Calibration Generator output level for a 6 division display at a frequency of 1 kHz.
- d. Set the Normalizer for a square front corner over approximately the first 40  $\mu$ s (0.4 division) of the positive portion of the waveform.
- e. Change the CH 1 VOLTS/DIV control to 50 mV and adjust the Calibration Generator amplitude for a 6 division display.
- f. ADJUST –C414 (near the front edge of the A10-Main Board) for the same waveform front corner as noted in part d.
- g. Repeat parts c through f until no change is observed in the waveform front corner between the 50 mV and 100 mV settings for the CH 1 VOLTS/DIV control.
- h. Move the input signal to CH 2 OR Y input connector. Select VERTICAL MODE and set CH 2 on and CH 1 off.
- i. Repeat parts c through g to adjust the CH 2 input capacitance, adjusting C311 in part f and using the CH 2 VOLTS/DIV control for parts e and g.
- j. Disconnect the test setup.

## 5. 50 MHz Bandwidth Limit Filter Adjustment

- a. If a menu is displayed, press the MENU OFF/EXTENDED FUNCTIONS button to remove it from the screen. Select SETUP PRGM and press the menu button labeled INIT PANEL. Make the following changes to the front panel setup:
  - Set: A SEC/DIV .....50ns
  - CH 1 VOLTS/DIV .....10mV
  - Select: BANDWIDTH
  - Set: 50 MHz .....On
  - Select: CH 1 COUPLING/INVERT
  - Set: 50  $\Omega$  ON/OFF .....ON
  - Select: STORAGE ACQUIRE
  - Set: REPET ON/OFF .....ON
  - AVG .....On
- b. Connect the positive-going, FAST RISE output of the Calibration Generator to the CH 1 OR X input connector input via a Precision Coaxial Cable and a 10X Attenuator.
- c. Set the Calibration Generator output level for a 5 division display at a frequency of 100 kHz.
- d. ADJUST –C431 for as flat a response as possible. This capacitor is located on the A10-Main Board.
- e. Move the test setup to the CH 2 OR Y input connector.
- f. Select VERTICAL MODE and set CH 2 on and CH 1 off.
- g. Set CH 2 VOLTS/DIV to 10 mV.
- h. Repeat parts c and d, adjusting C235 for part d.
- i. Disconnect the test setup.

# SELF CALIBRATION

**Equipment Required**

None

## Self Calibration

- a. Turn the instrument POWER ON and allow a 10 minute warm-up period. Note that the instrument's cabinet should be in place when performing this subsection of this procedure. (If an internal Calibration was performed and J156 removed, reinstall J156 prior to reinstalling the cabinet.)
- b. Press the MENU OFF/EXTENDED FUNCTIONS button once or twice (two presses are necessary if any menu is presently displayed, one press if no menu is displayed) to display the Extended Functions menu.
- c. Press the menu button labeled CAL/DIAG (menu will change).
- d. Press the menu button labeled SELF CAL. "RUNNING" will be displayed in the lower right corner of the CRT screen for approximately 10 seconds as the instrument performs its automatic calibration routine.

## NOTE

*After successful completion of the automatic calibration routine, "RUNNING" will disappear from the CRT screen and "PASS" will be displayed above the SELF CAL menu button label. Press the MENU OFF/EXTENDED FUNCTIONS button to return the instrument to control settings in effect before the Self Calibration was initiated. If the automatic calibration routine is NOT successful (errors are detected), the EXTENDED D/AGNOST/CS menu will be displayed with accompanying error messages. Perform the following parts only if the instrument fails the Self Calibration; otherwise, Self Calibration has been completed.*

- e. Press the MENU OFF/EXTENDED FUNCTIONS button to turn off the EXTENDED DIAGNOSTICS menu.
- f. Repeat parts b through d. If the instrument displays the EXTENDED DIAGNOSTICS menu again, refer the instrument to qualified personnel for servicing; otherwise, Self Calibration has been successfully completed.

# Section 6

## MAINTENANCE

This section contains useful information on the calibration of the scope and for conducting preventive maintenance, troubleshooting, and corrective maintenance on the Oscilloscope OS-Z91/G. Circuit board removal procedures are included in the "Corrective Maintenance" subsection. An extensive diagnostics procedures table (Table 6-6) is provided in the "Internal Diagnostics and Calibration Routines" subsection at the back of this section.

### INSTRUMENT CALIBRATION

The OS-291/G is designed to provide as near total automatic calibration as practical. Automatic procedures minimize manufacturing and end-user costs associated with calibration and enhance the accuracy of the instrument during use.

Instead of the usual numerous manual potentiometer "tweaks" that require extensive servicing, the scope makes wide use of digital calibration techniques. The extensive digital-to-analog (DAC) subsystem of the scope and the built-in computer firmware are used to calculate and adjust more than 100 voltages that control gain, offset, and other parameters of circuit operation affecting accuracy. The automatic SELF CAL uses no external test equipment and takes less than 10 seconds to complete. The ease of use of SELF CAL allows it to be done at any time to assure the user of an accurate measurement in the present testing environment.

Adjustments that remain for the Display System and the charge-coupled device (CCD) output amplifiers and those requiring external standard test signals are not automatic, but they are aided by the built-in programming. The scope supplies the test signals for the Display System and CCD output amplifier adjustments and does the actual calibration of the vertical attenuators and trigger amplifiers once the standard voltage calibration signals are provided.

#### Calibration Levels

Calibration of the scope occurs at several levels. These levels are the fully automatic SELF CAL, the semiautomatic EXTENDED CAL, the manual adjustments, and dynamic calibration.

#### Self Calibration

Almost all of the measurement systems within the OS-291/G are calibrated with the SELF CAL procedure. These automatic adjustments include the gain and offset settings for the vertical acquisition system and the internal

trigger system. No adjustments are required for the time base or horizontal subsystems.

Maximum instrument accuracy can be assured by doing a SELF CAL just before making critical measurements. Continued accuracy is maintained by running SELF CAL whenever the operating temperature has changed more than five degrees Celsius since the last SELF CAL.

#### Extended Calibration

Semiautomatic calibration of the vertical attenuators (ATTEN) and external trigger amplifiers (TRIGGER) is supported by this level of calibration. The technician must supply the DC voltage levels required for calibration to the input connectors, and the scope then performs the actual calibration of the gain of the vertical input attenuators and gain and offset of the external trigger amplifier using the supplied DC voltages. During the ATTEN calibration, the accuracy of the internal 10 V Calibration Reference is verified against the standard amplitude voltage applied to the attenuators.

The EXT CAL routines also provide the automatic REPET calibration and the display signals for the manual ADJUSTS needed for the Display System and CCD output amplifier calibrations. REPET calibration adjusts the timing of the jitter correction ramps. The jitter correction ramps are used to measure the time between the randomly acquired samples and the trigger point. That time difference is used to place the waveform samples correctly with respect to the trigger point in the repetitive acquisition mode waveform record.

#### Manual Adjustments

Adjustments made by the technician involving access to the internal portions of the scope are limited to the Display System, the CRT adjustments, the CCD output amplifier gains, the attenuator input capacitance, the 50 MHz bandwidth limiter, and the CCD sampling clock skew. These adjustments are made during factory calibration and should not require readjustment during normal operation. Replacement of parts during repair of the instrument that affect these calibrations will, however, require readjustment of the affected circuitry. The ADJUSTS calibration routine in the EXTENDED CALIBRATION procedures provides display patterns and brief instructions for the technician to follow in

calibrating the Display System and CCD output amplifier gains.

### Dynamic Adjustments

As the scope operates, continuous adjustments are made to correct for minor offsets in the acquisition system and jitter correction ramp timing. The dynamic adjustments are totally automatic and require no user action.

### Recommended Adjustment Intervals

The recommended interval for doing the Extended Calibration ATTEN and external TRIGGER calibrations is every 2000 hours, or once a year if the instrument is used infrequently. Readjustment of the Display System and rerunning the REPET calibration step will not normally be needed unless parts are replaced that affect those calibrations. It is NOT necessary to re-perform any portion of the Extended Calibration to maintain maximum measurement accuracy over the specified operating temperature range of the instrument.

## NATIONAL BUREAU OF STANDARDS TRACEABILITY

Traceability to the National Bureau of Standards (NBS) requires that the stated accuracy of an instrument has been established through calibration with equipment whose accuracies have been established either directly or indirectly by NBS certified references.

Instrument traceability is established in the Extended Calibration routine by calibrating the attenuators (ATTEN) and external trigger amplifiers (TRIGGER) with an NBS traceable voltage reference. As the fine gain adjustment of the attenuators is made, the relative accuracy of the internal 10 V Calibration Reference is also checked by normalizing it to the external voltage source provided by the technician. If the fine gain of the attenuators requires an adjustment of more than approximately 2%, the ATTEN calibration fails. Barring component problems, a failure indicates either that the internal reference is faulty or that the applied voltage is not a valid standard reference voltage.

Passing the ATTEN calibration step using an NBS traceable voltage standard ensures that the internal, nonadjustable 10 V Calibration Reference is also traceable. Subsequently passing the SELF CAL procedure (which uses the traceable 10 V Calibration Reference to provide the calibration voltages) then makes the scope an NBS traceable instrument.

Traceability is maintained for subsequent performances of SELF CAL by referencing all calibration calculations to the traceable internal voltage reference.

## VOIDING CALIBRATION

Factory calibration is done using NBS traceable sources. An internal jumper installed at the time of calibration prevents the user from inadvertently running the EXT CAL routines and voiding the traceable calibration of the instrument. Removing the jumper and attempting to do the ATTEN and TRIGGER calibration without an accurate standard amplitude voltage source will result in a failed calibration. In the case of a failure, the stored constants for the attenuator gain calibration are not replaced; therefore, the previous degree of accuracy is maintained by the instrument. However, a FAIL label remains displayed over the affected EXT CAL menu choice, and the scope will fail subsequent power-on tests and enter Extended Diagnostics (EXT DIAG) until the calibration is passed.

Power-on or Self Diagnostics (SELF DIAG) tests that detect a system, subsystem, or device failure that may affect instrument calibration are noted by a FAIL label on the test along with the calibration status of UNCALD in the EXT DIAG menu display. Calibration failures are of two types: soft errors caused by gain or offset parameter drifts beyond tolerance—usually caused by a large change in operating temperature since the last SELF CAL was done, or hard failures caused by component problems that prevent calibration.

### Soft Errors

These errors appear as a loss of SELF CAL and are noted by the UNCALD label appearing above the SELF CAL choice in the main CAL/DIAG menu. Running the SELF CAL routine and obtaining a PASS status clears up any soft calibration errors and revalidates the instrument calibration.

### Hard Failures

A hard failure affecting calibration may also be indicated by the loss of SELF CAL, but running the SELF CAL routine does not produce a PASS status for SELF CAL or any failed test in EXT DIAG. Loss of ATTEN or external TRIGGER calibration is noted by the UNCALD label appearing above those choices in the EXT CAL menu. A loss of calibration for either ATTEN or TRIGGER indicates a possible nonvolatile memory failure. In either case, instrument calibration should be considered void, and the scope must be referred to a qualified service person for servicing.

# STATIC-SENSITIVE COMPONENTS

The following precautions apply when performing any maintenance involving internal access to the instrument.



*Static discharge can damage any semiconductor component in this instrument.*

This instrument contains electrical components that are susceptible to damage from static discharge. Table 6-1 lists the relative susceptibility of various classes of semiconductors. Static voltages of 1 kV to 30 kV are common in unprotected environments.

**Table 6-1  
Relative Susceptibility to Static-Discharge Damage**

Semiconductor Classes	Relative Susceptibility Levels
MOS or CMOS microcircuits or discretes, or linear microcircuits with MOS inputs (Most Sensitive)	1
ECL	2
Schottky signal diodes	3
Schottky TTL	14
High-frequency bipolar transistors	5
JFET	6
Linear microcircuits	7
Low-power Schottky TTL	8
TTL (Least Sensitive)	9

<sup>1</sup>Voltage equivalent for levels (voltage discharged from a 100 pF capacitor through a resistance of 100 Ω):

- |                 |                       |
|-----------------|-----------------------|
| 1=100 to 500 V  | 6= 600 to 800 V       |
| 2= 200 to 500 V | 7=400 to 1000 V (est) |
| 3=250 V         | 8=900V                |
| 4=500 V         | 9=1200V               |
| 5= 400 to 600 V |                       |

When performing maintenance, observe the following precautions to avoid component damage:

1. Minimize handling of static-sensitive components.
2. Transport and store static-sensitive components or assemblies in their original containers or on a metal rail. Label any package that contains static-sensitive components or assemblies.
3. Discharge the static voltage from your body by wearing a grounded antistatic wrist strap while handling these components. Servicing static-sensitive components or assemblies should be performed only at a static-free work station by qualified service personnel.
4. Nothing capable of generating or holding a static charge should be allowed on the work station surface.
5. Keep the component leads shorted together whenever possible.
6. Pick up components by their bodies, never by their leads.
7. Do not slide the components over any surface.
8. Avoid handling components in areas that have a floor or work-surface covering capable of generating a static charge.
9. Use a soldering iron that is connected to earth ground.
10. Use only approved antistatic, vacuum-type re-soldering tools for component removal.

# PREVENTIVE MAINTENANCE

## INTRODUCTION

Preventive maintenance consists of cleaning, visual inspection, and checking instrument performance. When performed regularly, it may prevent instrument malfunction and enhance instrument reliability. The severity of the environment in which the instrument is used determines the required frequency of maintenance. An appropriate time to perform preventive maintenance is just before instrument adjustment.

## GENERAL CARE

The cabinet minimizes accumulation of dust inside the instrument and should normally be in place when operating the oscilloscope. The instrument's front cover protects the Front Panel and CRT from dust and damage. It should be installed whenever the instrument is stored or transported.

## INSPECTION AND CLEANING

The scope should be visually inspected and cleaned as often as operating conditions require. Accumulation of dirt in the instrument can cause overheating and component breakdown. Dirt on components acts as an insulating blanket, preventing efficient heat dissipation. It also provides an electrical conduction path that could

result in instrument failure, especially under high-humidity conditions.



*Avoid the use of chemical cleaning agents which might damage the plastics used in this instrument. Use a nonresidue-type cleaner, preferably isopropyl alcohol or a solution of 1% general purpose detergent with 99% water. Before using any other type of cleaner, consult your Tektronix Service Center or representative.*

### Exterior

**inspection.** Inspect the external portions of the instrument for damage, wear, and missing parts; use Table 6-2 as a guide. Instruments that appear to have been dropped or otherwise abused should be checked thoroughly to verify correct operation and performance. Repair deficiencies that could cause personal injury or lead to further damage to the instrument immediately.



*To prevent getting moisture inside the instrument during external cleaning, use only enough liquid to dampen the cloth or applicator.*

**Table 6-2**  
**External Inspection Check List**

item	Inspect For	Repair Action
Cabinet, Front Panel, and Cover	Cracks, scratches, deformations, damaged hardware or gaskets.	Replace defective components.
Front-panel Controls	Missing, damaged, or loose knobs, buttons, and controls.	Repair or replace missing or defective items.
Connectors	Broken shells, cracked insulation, and deformed contacts. Dirt in connectors.	Replace defective parts. Clear or wash out dirt.
Carrying Handle	Correct operation,	Replace defective parts.
Accessories	Missing items or parts of items, bent pins, broken or frayed cables and damaged connectors.	Replace damaged or missing items, frayed cables, and defective parts.

**Table 6-3**  
**Internal Inspection Check List**

Item	Inspect For	Repair Action
Circuit Boards	Loose, broken, or corroded solder connections. Burned circuit boards. Burned, broken, or cracked circuit-run plating.	Clean solder corrosion with isopropyl alcohol. Resolder defective connections. Determine cause of burned items and repair. Repair defective circuit runs.
Resistors	Burned, cracked, broken, blistered.	Replace defective resistors. Check for cause of burned component and repair as necessary.
Solder Connections	Cold solder or rosin joints.	Resolder joint and clean with isopropyl alcohol.
Capacitors	Damaged or leaking cases. Corroded solder on leads or terminals.	Replace defective capacitors. Clean solder connections and flush with isopropyl alcohol.
Semiconductors	Loosely inserted in sockets. Distorted pins.	Firmly seat loose semiconductors. Remove devices having distorted pins. Carefully straighten pins (as required to fit the socket), using long-nose pliers, and reinsert firmly. Ensure that straightening action does not crack pins, causing them to break off.
Wiring and Cables	Loose plugs or connectors. Burned, broken, or frayed wiring.	Firmly seat connectors. Repair or replace defective wires or cables.
Chassis	Dents, deformations, and damaged hardware.	Straighten, repair, or replace defective hardware.

**CLEANING.** Loose dust on the outside of the instrument can be removed with a lint free cloth. Dirt that remains can be removed with a lint free cloth dampened in a general purpose detergent-and-water solution. Do not use abrasive cleaners.

Two plastic light filters, one blue and one clear, are provided with the oscilloscope. Clean the light filters and the CRT face with a lint-free cloth dampened with either isopropyl alcohol or a general purpose detergent-and-water solution.

**Interior**

To access the inside of the instrument for inspection and cleaning, refer to the "Removal and Replacement Procedure" in the "Corrective Maintenance" part of this section.

**INSPECTION.** Inspect the internal portions of the OS-291/G for damage and wear, using Table 6-3 as a guide. Deficiencies found should be repaired immediately. The corrective procedure for most visible defects is obvious; however, particular care must be taken if heat-damaged components are found. Overheating usually indicates other trouble in the instrument; it is important, therefore, that the cause of

overheating be corrected to prevent recurrence of the damage.

If any electrical component is replaced, conduct a Performance Check for the affected circuit and for other closely related circuits (see Section 4). If repair or replacement work is done on any of the power supplies, verify that the affected power supply meets the voltage and ripple tolerance requirements under Specification in Section 1 of this manual.



*To prevent damage from electrical arcing, ensure that circuit boards and components are dry before applying power to the instrument,*

**CLEANING.** To clean the interior, blow off dust with dry, low-pressure air (approximately 9 psi). Remove any remaining dust with a lint free cloth dampened in a general purpose detergent-and-water solution. A cotton-tipped applicator is useful for cleaning in narrow spaces and on circuit boards. If these methods do not remove all the dust or dirt, the instrument may be spray

washed using a solution of 5% general purpose detergent and 95 0/0 water as follows:



*Exceptions to the following cleaning procedure are the CH 1 and CH 2 Attenuator assemblies. Clean these assemblies only with isopropyl alcohol as described in Step 4 of the cleaning procedure. In addition, all other Front Panel controls are sealed and require no maintenance.*

1. Gain access to the parts to be cleaned by removing easily accessible shields and panels (see "Removal and Replacement Procedure").
2. Spray wash dirty parts with the detergent-and-water solution; then use clean water to thoroughly rinse them.
3. Dry all parts with low-pressure air.
4. Clean switches with isopropyl alcohol and wait 60 seconds for the majority of the alcohol to evaporate. Then complete drying with low-pressure air.
5. Dry all components and assemblies in an oven or drying compartment using low-temperature (125°F to 150°F) circulating air.

## LUBRICATION

There is no periodic lubrication required for this instrument.

## SEMICONDUCTOR CHECKS

Periodic checks of the transistors and other semiconductors in the oscilloscope are not recommended. The best check of semiconductor performance is actual operation in the instrument.

## PERIODIC READJUSTMENT

Complete Performance Check and Adjustment procedures are given in Sections 4 and 5. The Performance Check Procedure can also be helpful in localizing certain troubles in the instrument. In some cases, minor problems may be revealed or corrected by readjustment.

To ensure accurate measurements, check the performance of this instrument every 2000 hours of operation, or if used infrequently, once each year. In addition, replacement of components may necessitate readjustment of the affected circuits.



# TROUBLESHOOTING

## INTRODUCTION

Preventive maintenance performed on a regular basis should reveal most potential problems before an instrument malfunctions. However, should troubleshooting be required, the following information is provided to facilitate location of a fault. In addition, the material presented in the "Theory of Operation" and "Foldouts" sections of this manual may be helpful while troubleshooting.

## TROUBLESHOOTING AIDS

### Diagnostic Firmware

The operating firmware in this instrument contains diagnostic routines that aid in locating malfunctions. When instrument power is applied, power-up tests are performed to verify proper operation of the instrument. If a failure is detected, this information is passed on to the operator in the form of a CRT readout error message. The failure information directs the troubleshooter to the area of failing circuitry. If the failure is such that the processor can still execute the diagnostic routines, the user can call up specific tests to further check the failing circuitry. The specific diagnostic routines are explained later in this section.

### Schematic Diagrams

Complete schematic diagrams are located on foldout pages in the "Foldouts" section. Heavy black lines that enclose portions of the circuitry represent the circuit board on which the enclosed circuitry is mounted. The assembly number and name of the circuit board are shown near the edge of the diagram.

Functional blocks on schematic diagrams are also outlined with a wide black line. Components within the outlined area perform the function designated by the block label. The "Simplified Block Diagram Description" and the "Detailed Block Diagram Description" in the "Theory of Operation" uses these functional block names when describing circuit operation, aiding in cross-referencing between the two circuit descriptions and the schematic diagrams.

Component numbers and electrical values of components in this instrument are shown on the schematic diagrams. Important voltages and waveform reference numbers (enclosed in hexagonally-shaped boxes) are also shown on each schematic diagram. Waveform illustrations are located adjacent to or on a sheet following their respective schematic diagram.

### Circuit Board Illustrations

Circuit board illustrations showing the physical location of each component are provided for use in conjunction with each schematic diagram. Each board illustration is found in the "Foldouts" section at the rear of this manual.

The locations of waveform test points are marked on the circuit board illustrations with hexagonally outlined numbers corresponding to the waveform numbers on both the schematic diagram and the waveform illustrations.

### Circuit Board Locations

The placement of each circuit board in the instrument is shown with a board location illustration (see fig. 6-2). Additional board locator illustrations can be found in the foldout section along with each circuit board illustration.

### Circuit Board Interconnections

A circuit board interconnection diagram is provided in the "Foldouts" section to aid in tracing a signal path or power source between boards. All wire, plug, and jack numbers are shown along with their associated wire or pin numbers.

### Power Distribution

Power distribution is traceable through the schematic diagrams in the "Foldouts" section. The low-voltage power supplies originate on the Power Supply board and are schematically illustrated in fig. FO-31 and FO-32. The high-voltage and +61 V power supplies, originating on the High Voltage board, are shown in fig. FO-28. Any power supply can be tracked back to its schematic diagram and forward to other circuitry illustrated on different schematic diagrams.

Power is distributed to the different circuit boards through interconnect assemblies consisting of one or more connectors. The schematic diagrams showing these assemblies (or partial assemblies) provide the interconnecting assembly (wire, plug, and/or jack) numbers, as well as the number for the individual pins or wires distributing the supplies. By referencing the numbers for the assembly and its connector wire(s), the schematic diagram showing that section of the power distribution path immediately preceding the section illustrated (on a given schematic diagram) can be determined.

If power is carried to another interconnect assembly and on to another circuit board, that distribution is

shown. The other interconnect assembly and conductors are labeled as previously described, except that an individual connector number indicates the schematic diagram showing the succeeding distribution path section rather than the preceding section. This method allows the tracing of power distribution either up the path toward the originating supply, or away (further down the distribution path) from that supply.

In some cases, the schematic diagram showing an interconnect assembly carrying power to a circuit board may not illustrate all of that circuit board. Arrows pointing to foldout numbers indicate other schematic diagrams (illustrating other parts of the circuit board) where the supplies are routed. Further, any schematic diagram showing a partial circuit board will indicate the number of the foldout where the interconnect assembly(ies) routing power supplies to that board is illustrated. This method allows tracing power distribution back to an interconnect assembly, at which point further distribution tracing can occur.

As a further aid to power supply distribution, the "Foldouts" section contains an interconnect diagram. This diagram shows all of the interconnections between the various circuit board assemblies, including the power supplies. This diagram can also be an aid in power distribution tracing.

**Grid Coordinate System**

Each schematic diagram and circuit board illustration has a grid border along its left and top edges. A table located adjacent to each diagram lists the grid coordinates of each component shown on that diagram. To aid in physically locating components on the circuit board, this table also lists the grid coordinates of each component on the circuit board illustration.

Near each circuit board illustration is an alphanumeric listing of all components mounted on that board. The second column in each listing identifies the foldout in which each component can be found. These component-locator tables are especially useful when more than one foldout is associated with a particular circuit board.

**Troubleshooting Flowcharts**

The troubleshooting flowcharts contained in the fold-out section at the rear of this manual are to be used in conjunction with the Extended Diagnostics in Table 6-6 (at the back of this section) as an aid in locating malfunctioning circuitry. To use the flowcharts, begin with the Initial Troubleshooting Chart shown in Figure 6-6. This chart will help identify problem areas and will direct you to the appropriate procedures for further troubleshooting.

**Multipin Connectors**

Multipin connector orientation is indexed by two triangles; one on the holder and one on the circuit board. Slot numbers are usually molded into the holder. When a connection is made to circuit board pins, ensure that the index on the holder is aligned with the index on the circuit board (see fig. 6-1).

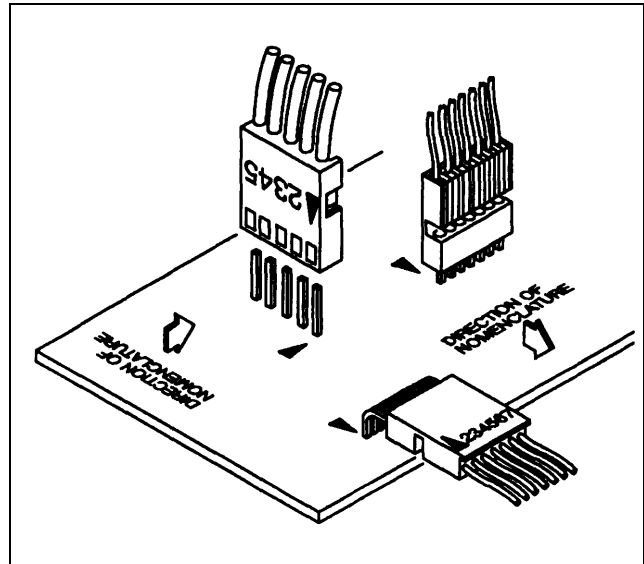


Figure 6-1. Multipin connector.

**TROUBLESHOOTING EQUIPMENT**

The equipment listed in Table 4-1 of this manual, or equivalent equipment, may be useful when troubleshooting this instrument.

**TROUBLESHOOTING TECHNIQUES**

in the following list of troubleshooting procedures, the first two steps use diagnostic aids inherent in the instrument's operating firmware. These built-in tests can locate many circuit faults to aid in isolating the problem circuitry. The next four procedures are check steps that ensure proper control settings, connections, operation, and adjustment. if the trouble is not located by these checks, the remaining steps will aid in locating the defective component. When the defective component is located, replace it using the appropriate replacement procedure given under "Corrective Maintenance" in this section.

**CAUTION**

*Before using any test equipment to make measurements on static-sensitive, current-sensitive, or voltage-sensitive components or assemblies, ensure that any voltage or current supplied by the test equipment does not exceed the limits of the component to be tested.*

### 1. Power-up Tests

This scope performs automatic verification of the instrument. If a failure occurs, refer to the "Internal Diagnostics and Calibration Routines" discussion later in this section for interpreting the failure.

If a problem is found, the associated troubleshooting procedure may be used to isolate the problem. The troubleshooting procedures are found in Table 6-6. See Figure 6-6 for the Initial Troubleshooting Chart.

### 2. Diagnostic Test Routines.

The instrument firmware contains diagnostic routines that may be selected by the user from the Front Panel to further clarify the nature of a suspected failure. The desired test is selected using the MENU buttons after entering the Extended Diagnostics Mode. Entry into the Diagnostic Mode and its uses are explained in the "Internal Diagnostics and Calibration Routines" discussion later in this section.

### 3. Check Control Settings

Incorrect control settings can give a false indication of instrument malfunction. If there is any question about the correct function or operation of any control, refer to either the "Operating Information" in Section 2 of this manual or to the Operators Manual.

### 4. Check Associated Equipment

Before proceeding, ensure that any equipment used with the scope is operating correctly. Verify that input signals are properly connected and that the interconnecting cables are not defective. Check that the AC-power-source voltage to all equipment is correct.

### 5. Visual Check

**WARNING**

*To avoid electrical shock, disconnect the instrument from the AC power source before making a visual inspection of the internal circuitry.*

Perform a visual inspection. This check may reveal broken connections or wires, damaged components, semiconductors not firmly mounted, damaged circuit boards, or other clues to the cause of an instrument malfunction.

### 6. Check instrument Performance and Adjustment

Check the performance of those areas where trouble appears to exist. The trouble condition observed maybe the result of a lack of calibration. Complete Performance Check and Adjustment procedures are given in Sections 4 and 5 of this manual respectively.

### 7. Isolate Trouble to a Circuit

To isolate problems to a particular area, use any symptoms noticed to help locate the trouble. Refer to the OS-291/G Troubleshooting Procedures (Table 6-6) in the "Internal Diagnostics and Calibration Routines" discussion in this section as an aid in locating a faulty circuit.

### 8. Check Power Supplies

**WARNING**

*For safety reasons, an isolation transformer must be connected whenever troubleshooting in the Preregulator and Inverter Power Supply sections of the instrument.*

When trouble symptoms appear in more than one circuit, first check the power supplies; then check the affected circuits by taking voltage and waveform readings. Check first for the correct output voltage of each individual supply; then measure AC ripple to check that it is within the Peak-to-Peak Ripple specification. Table 6-4 lists the power supply voltage level and ripple limits for each supply.

These voltages are measured between the power supply test points (most of which are located on the Side Board near the Front Panel Processor board) and ground. Voltage ripple amplitudes must be measured using an oscilloscope. Before measuring AC ripple, set the STORAGE ACQUIRE mode of the OS-291/G to SAVE. Use a 1X probe having as short a ground lead as possible to minimize stray pickup. The oscilloscope used to measure ripple must be bandwidth limited to 20 MHz. Use of a higher bandwidth oscilloscope without 20 MHz bandwidth limiting will result in higher readings.

If the power-supply voltages and ripple are within the listed ranges in Table 6-4, the supply can be assumed to be working correctly. If the supply is not within specified ranges, the fault may or may not be located in the power supply circuitry. A defective component elsewhere in the

instrument can create the appearance of a power-supply problem and may also affect the operation of other circuits. Use the Power Supply Control Troubleshooting chart in the "Foldouts" section to aid in locating the problem.

**Table 6-4**  
**Power Supply Voltage and Ripple Limits<sup>1</sup>**

Power Supply	Reading (Volts)	Peak-to-Peak Ripple (mV)
+ 61 V	59.05 to 62.95	100
+ 15 V	14.74 to 15.26	10
+ 10 V Ref	9.97 to 10.03	10
+ 8 V	7.85 to 8.15	10
+ 5 V	4.91 to 5.09	10
+ 5 V <sub>D</sub> (digital)	4.83 to 5.17	150
-5 V	-4.95 to -5.05	10
-8 V	-7.85 to -8.15	10
-15 V	-14.74 to -15.26	10
-15 V unreg		350
-1900 V	-1855 to -1945	

<sup>1</sup>At 25°C.

## 9. Check Circuit Board Interconnections

After the trouble has been isolated to a particular circuit, again check for loose or broken connections, improperly seated semiconductors, and heat-damaged components.

## 10. Check Voltages and Waveforms

Often the defective component can be located by checking circuit voltages or waveforms. Typical voltages are listed on the schematic diagrams. Waveforms indicated on the schematic diagrams by hexagonally outlined numbers are shown adjacent to the schematic diagrams. Waveform test points are shown on the circuit board illustrations.

## NOTE

*Voltages and waveforms indicated on the schematic diagrams are not absolute and may vary slightly between instruments. To establish operating conditions similar to those used to obtain these readings, set up the Test scope and the OS-291/G under test as indicated near the waveform illustrations for a schematic diagram.*

## 11. Check Individual Components

### **WARNING**

*To avoid electric shock, always disconnect the instrument from the AC power source before removing or replacing components.*

To accurately check components, it is often necessary to remove or partially disconnect the component from the circuit board, in order to isolate it from surrounding circuitry. Partial specifications (resistor tolerance, transistor type, etc.) for most components can be found by referencing the component designation number in the Unit, Direct Support, and General Support Repair Parts and Special Tools List for Oscilloscope OS-291/G.

### **CAUTION**

*When checking semiconductors, observe the static-sensitivity precautions located at the beginning of this section.*

## 12. Repair and Adjust the Circuit

if any defective parts are located, follow the replacement procedures given under "Corrective Maintenance" in this section. After any electrical component has been replaced, the performance of that circuit and any other closely related circuit should be checked. if work has been done on the power supplies, a complete check of the regulated voltages should be done to verify that the supply voltages are in tolerance. A check of the Display ADJUSTS calibration and a SELF CAL should verify that the instrument meets Performance Requirements if the voltages are all correct.

# CORRECTIVE MAINTENANCE

## INTRODUCTION

Corrective maintenance consists of component replacement and instrument repair. This part of the manual describes special techniques and procedures required to replace components in this instrument. If it is necessary to ship your instrument to a Tektronix Service Center for repair or service, refer to the "Repackaging for Shipment" information in Section 2 of this manual.

## MAINTENANCE PRECAUTIONS

To reduce the possibility of personal injury or instrument damage, observe the following precautions:

1. Disconnect the instrument from the AC-power source before removing or installing components.
2. Verify that the line-rectifier filter capacitors are discharged prior to performing any servicing.
3. Use care not to interconnect instrument grounds which may be at different potentials (cross grounding).
4. When soldering on circuit boards or small insulated wires, use only a 15-watt, pencil-type soldering iron.
5. Use an isolation transformer to supply power to the OS-291/G if removing the shield-and troubleshooting in the power supply.

## SELECTABLE COMPONENTS

Two components in this instrument are selectable to obtain optimum circuit operation. Value selection of these components is done during the initial factory adjustment procedure. Further selection is not usually necessary for subsequent adjustments unless a component has been changed that affects circuitry for which a selected component has been specifically chosen,

Specifically, the selected components are R1015 and R1016. These components are located on the A10 Main board and the schematic diagram is on fig. FO-17.

R1015 may need selecting if the CH 1 Preamp (U420), Peak Detector (U440), and/or CCD/Clock Driver (U450) are changed. Selection of R1016 may be required if the

same components associated with CH 2 (U100, U340, and U350, respectively) are changed. Upon changing any of those components, the vertical performance checks associated with the affected channel should be made. If the bandwidth and rise time performance requirements are met and the front-corner aberrations are within approximately  $\pm 6\%$  and 6% peak-to-peak, the resistor associated with the affected channel should not be changed. If these conditions are not met, selecting the resistor changes circuit response as follows:

1. increasing the resistance reduces the front-corner aberrations while decreasing bandwidth and rise time.
2. Decreasing the resistance increases bandwidth and rise time while increasing front-corner aberrations.
3. The change in front-corner aberrations for changing the resistor is less than or equal to 1%.

Do not increase the value of the resistor to the point at which the bandwidth and rise-time performance requirements are not met; the  $\pm 6\%$ , 6% peak-to-peak guideline is maintenance information only, not a performance requirement. The bandwidth, rise time, and aberrations should be measured with the affected channel set to 200 mV per division.

## MAINTENANCE AIDS

The maintenance aids listed in Table 6-5 include items required for performing most of the maintenance procedures in this instrument. Equivalent products may be substituted for the examples given, provided their characteristics are similar.

## INTERCONNECTIONS

Interconnections in this instrument are made with pins soldered onto the circuit boards. Several types of mating connectors are used for the interconnecting pins. The following information provides the replacement procedures for the various types of connectors.

### End-Lead Pin Connector's

Pin connectors used to connect the wires to the interconnect pins are factory assembled. They consist of machine-inserted pin connectors mounted in plastic holders. If the connectors are faulty, the entire wire assembly should be replaced.

Table 6-5  
Maintenance Aids

Description	Specification	Usage
1. Soldering Iron	15 W.	General soldering and unsoldering.
2. Torx Screwdrivers	Torx tips: #T7, #T9, #T10, #T15, and #T20. Handles: 8 <sup>1</sup> / <sub>2</sub> inch, 3 <sup>1</sup> / <sub>2</sub> inch.	Assembly and disassembly.
3. Nutdrivers	1/4 inch, 7/32 inch, 5/16 inch, 1/2 inch, and 9/16 inch.	Assembly and disassembly.
4. Open-end Wrench	9/16 inch and 1/2 inch.	Channel Input and Ext Trig BNC Connectors.
5. Hex Wrenches	0.050 inch, 1/16 inch.	Assembly and disassembly.
6. Long-nose Pliers		Component removal and replacement.
7. Diagonal Cutters		Component removal and replacement.
8. Vacuum Solder Extractor	No static charge retention.	Unsoldering static sensitive devices and components on multilayer boards.
9. Pin-Replacement Kit	Replace circuit board connector pins.	
10. IC-Removal Tool		Removing DIP IC packages.
11. Isopropyl Alcohol	See Appendix B.	Cleaning attenuator and front-panel assemblies.
12. Isolation Transformer <sup>1</sup>		Isolate the instrument from the AC power source for safety.
13. 1X Probe		Power supply ripple check.
14. Solder	Rosin-core, containing 63% tin and 37% lead.	General soldering.
15. Allen Wrench	1/16 inch.	Assembly and disassembly.
16. HV Probe	P6009	High Voltage power supply checks.
17. Resistor	1 kΩ, 5 Watt	Discharge Power Supply.
18. Shorting Strap	6-inch insulated wire. Alligator clips both ends.	Discharge Power Supply.
19. Anti-Static Wrist Strap	Wrist Band, adjustable. 1 MΩ resistor molded into ground cord.	Board and/or component removal.
20. Voltmeter	See Table 4-1.	Verify Power Supply is discharged.
21. Test Scope	Tektronix 2430A	General Troubleshooting.
22. Cotton-tipped applicator	See Appendix B.	General cleaning.

<sup>1</sup>The isolation transformer (item 12) is an important SAFETY item. The switching power supply of the scope has areas that float at the AC-source potential, and if power is applied to the instrument directly from the AC source, a serious shock hazard exists when the power supply safety shield is removed to permit troubleshooting.

## Multipin Connectors

When pin connectors are grouped together and mounted in a plastic holder, they are removed, reinstalled, or replaced as a unit. If any individual wire or connector in the assembly is faulty, the entire cable assembly should be replaced. To provide correct orientation of a multipin connector, an index arrow is stamped on the circuit board, and either a matching arrow is molded into or the numeral 1 is marked on the plastic housing as a matching index. Be sure these index marks are aligned with each other when the multipin connector is reinstalled.

## TRANSISTORS AND INTEGRATED CIRCUITS

Transistors and integrated circuits should not be replaced unless they are actually defective. If removed from their sockets or unsoldered from the circuit board during routine maintenance, return them to their original board locations. Unnecessary replacement or transposing of semiconductor devices may affect the adjustment of the instrument. When a semiconductor is replaced, check the performance of any circuit that may be affected.

Any replacement component should be of the original type or a direct replacement. Bend transistor leads to fit their circuit board holes, and cut the leads to the same length as the original component.



*After replacing a power transistor, check that the collector is not shorted to the chassis before applying power to the instrument.*

The chassis-mounted power supply transistor is insulated from the chassis by a heat-transferring mounting block. Reinstall the mounting block and bushings when replacing these transistors. Use a thin layer of heat-transferring compound between the insulating block and chassis when reinstalling the block.

To remove socketed dual-in-line packaged (DIP) integrated circuits, pull slowly and evenly on both ends

of the device. Avoid disengaging one end of the integrated circuit from the socket before the other, since this may damage the pins.

To remove a soldered DIP IC when it is going to be replaced, clip all the leads of the device and remove the leads from the circuit board one at a time. If the device must be removed intact for possible reinstallation, do not heat adjacent conductors consecutively. Apply heat to pins at alternate sides and ends of the IC as solder is removed. Allow a moment for the circuit board to cool before proceeding to the next pin.

## SOLDERING TECHNIQUES

The reliability and accuracy of this instrument can be maintained only if proper soldering techniques are used to remove or replace parts. General soldering techniques, which apply to maintenance of any precision electronic equipment, should be used when working on this instrument.

### WARNING

*To avoid an electric-shock hazard, observe the following precautions before attempting any soldering: turn the instrument off, disconnect it from the AC power source, and wait at least three minutes for the line-rectifier filter capacitors to discharge.*

Use rosin-core wire solder containing 63% tin and 37% lead. Contact your local Tektronix Field Office or representative to obtain the names of approved solder types.

When soldering on circuit boards or small insulated wires, use only a 15-watt, pencil-type soldering iron. A higher wattage soldering iron may cause etched circuit conductors to separate from the board base material and melt the insulation on small wires. Always keep the soldering-iron tip properly tinned to ensure best heat transfer from the iron tip to the solder joint. Apply only enough solder to make a firm joint. After soldering, clean the area around the solder connection with isopropyl alcohol and allow it to air dry.

**CAUTION**

Only an experienced maintenance person, proficient in the use of vacuum resoldering equipment should attempt repair of any circuit board in this instrument. Many integrated circuits are static sensitive and may be damaged by solder extractors that generate static charges. Perform work involving static-sensitive devices only at a static-free work station while wearing a grounded anti-static wrist strap. Use only an antistatic vacuum solder extractor approved by a Tektronix Service Center.

Attempts to unsolder, remove, and resolder leads from the component side of a circuit board may cause damage to the reverse side of the circuit board.

The following techniques should be used to replace a component on a circuit board:

1. Touch the vacuum solder extractor to the lead at the solder connection. Never place the iron directly on the board; doing so may damage the board.

**NOTE**

Some components are difficult to remove from the circuit board due to a bend placed in the component leads during machine insertion. To make removal of machine-inserted components easier, straighten the component leads on the reverse side of the circuit board.

2. When removing a multipin component, especially an IC, do not heat adjacent pins consecutively. Apply heat to the pins at alternate sides and ends of the IC as solder is removed. Allow a moment for the circuit board to cool before proceeding to the next pin.

**CAUTION**

Excessive heat can cause the etched circuit conductors to separate from the circuit board. Never allow the solder extractor tip to remain at one place on the board for more than three seconds. Solder wick, spring-actuated or squeeze-bulb solder suckers, and heat blocks (for resoldering multipin components) must not be used. Damage caused by poor soldering techniques can void the instrument warranty.

3. Bend the leads of the replacement component to fit the holes in the circuit board. If the component is replaced while the board is installed in the instrument, cut the leads so they protrude only a small amount through the reverse side of the circuit board. Excess lead length may cause shorting to other conductive parts.
4. Insert the leads into the holes of the board so that the replacement component is positioned the same as the original component. Most components should be firmly seated against the circuit board.
5. Touch the soldering iron to the connection and apply enough solder to make a firm solder joint. Do not move the component while the solder hardens.
6. Cut off any excess lead protruding through the circuit board (if not clipped to the correct length in part 3).
7. Clean the area around the solder connection with isopropyl alcohol. Be careful not to remove any of the printed information from the circuit board.

**REMOVAL AND REPLACEMENT PROCEDURE**

Read these instructions completely before attempting any corrective maintenance.

**WARNING**

To avoid electric shock, disconnect the instrument from the AC power source before removing or replacing any component or assembly.

The exploded view drawing in the Unit, Direct Support, and General Support Repair Parts and Special



Tools List for Oscilloscope OS-291/G may be helpful during the removal and Installation of individual components or subassemblies. Figure 6-2 illustrates the locations of the circuit boards referred to in this procedure. Individual circuit boards are illustrated in the "Foldouts" section of this manual; those illustrations are useful in location of the components referred to in this procedure.

As a further aid in component location, this procedure specifies the location of most of the components to be disconnected. The component side of a circuit board is referred to as the "top" side of the board; the edge nearest the Front Panel is the front edge. The remaining sides and edges follow from this orientation.

### 1. Cabinet Removal

- a. Disconnect the power cord from any AC power source.
- b. Disconnect the power cord from its receptacle at the instrument's Rear Panel.
- c. Grasp the power cord plug (female end), rotate the power cord retainer 1/4 turn, and pull it to remove the cord from the Rear panel.
- d. Grasp the handle hubs (at right and left side of the instrument) and pull outward. Rotate the hubs to position the front of the handle away from the front of the instrument.
- e. Install the protective Front Cover over the Front Panel. Push on the cover to lock the cover's side tabs around the Front Panel's trim band.
- f. Set the instrument so it rests on the Front Cover.

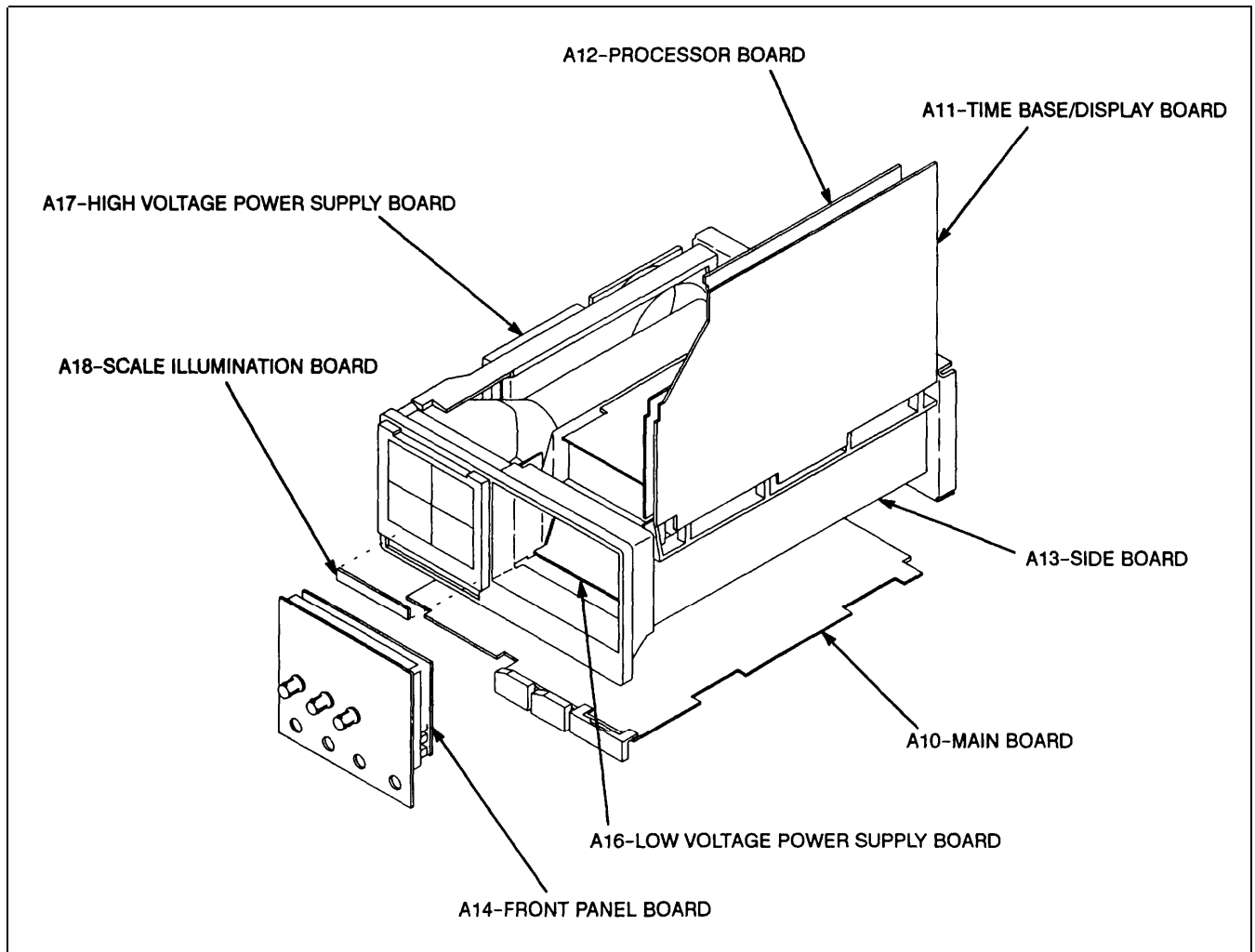


Figure 6-2. Circuit Board Location.

- g. Remove the four screws inside the four rear feet at the instrument's back panel.

**WARNING**

*Dangerous potentials exist at several points throughout this instrument. If it is operated with the cabinet removed, do not touch exposed connections or components. Some transistors may have elevated case voltages. Disconnect the AC power source from the instrument and verify that the line-rectifier filter capacitors have discharged before cleaning the instrument or replacing parts (see label on the Low Voltage Power Supply cover).*

- h. Grasp the handle hubs (at right and left sides of the instrument) and pull outward. While holding the hubs outward, pull straight up from the rear of the cabinet to remove the cabinet from the instrument.

Reverse parts a through h to install the cabinet,

**WARNING**

*The line-rectifier capacitors normally retain a charge for several minutes after the instrument is powered off and can remain charged for a longer period if a bleeder resistor or other power supply problem occurs. Before beginning any cleaning or work on the internal circuitry of the instrument, discharge the capacitors by connecting a shorting strap in series with a 1 k $\Omega$ , 5 watt resistor across the capacitors. To do this, the Low Voltage Power Supply assembly must be visible for the following parts are located on this board. Connect one end of the shorting strap/resistor combination to upper-most terminal of S 1020 (the terminal connected through a wire to W310). Connect the other end to pin 11 of T117 (the pin protruding from the side of the transformer, near its right-rear corner). Measure across those two connections with a voltmeter to ensure the capacitors are discharged.*

**2. Timebase/Display Board Removal**

- a. Perform Step 1 to remove the cabinet.
- b. Set the instrument on a flat, smooth surface, with its underside facing down and the Front Panel facing forward.

- c. Disconnect the ribbon-cable connector from J100 of the Timebase/Display board. J 100 is located at the right-front corner of the Timebase/Display board.
- d. Disconnect the ribbon cable connector at J141 of the Main board. J141 is located at the lower right-rear corner of the instrument.
- e. Disconnect the ribbon cable connector at J121 of the Timebase/Display board. J 121 is located at the right-rear corner of the board, under the ribbon cable disconnected in part d.
- f. Disconnect PI 17 and P148 from J117 and J148. J117 and J148 are located on the Timebase/Display board, at the right-rear corner and center-rear edge, respectively.
- g. Remove the three mounting screws securing the Timebase/Display board to the Center chassis and Power Supply.
- h. Using a 7/32 inch nutdriver, rotate the three black plastic retaining latches counterclockwise ¼ turn to unlock them. The two retaining latches are located near the left-front and left-rear corners of the Timebase/Display board.
- i. Grasp the left edge of the Timebase/Display board and rotate it (and the Top chassis) upward about 45 degrees. While supporting the Top chassis, disconnect the ribbon cable connector at J131 (left-front corner of the Timebase/Display board) and the flex cable at J125 (right-rear corner of the Processor board on the underside of the Top chassis).
- j. Continue to rotate the Top chassis until it is at a 90° angle to the top of the instrument.
- k. Rotate the black retaining latch (center-left edge of the Timebase/Display board) ¼ turn counterclockwise to release the board from the Top chassis.
- l. Grasp the left edge of the board and pull it slightly away from the Top chassis until it clears the head of the retaining latch unlocked in part k. Pull upon the board until the right edge of the board slips out of the four channel notches on the Top chassis.

Reverse parts a through l to install the board to the Top chassis and to secure the Top chassis to the Center chassis. Take care to fit the right edge of the board to the four channel notches when installing the board on the Top chassis.

### 3. Processor Board Removal

- a. Perform Step 1 to remove the cabinet.
- b. Set the instrument on a flat, smooth surface, with its underside facing down and the Front Panel facing forward.
- c. Remove the three mounting screws securing the Timebase/Display board to the Center chassis and Power Supply.
- d. Using a  $\frac{7}{32}$  inch nutdriver, rotate the two black retaining latches counterclockwise  $\frac{1}{4}$  turn to unlock them. The two retaining latches are located near the left-front and left-rear corners of the Timebase/Display board.
- e. Grasp the left edge of the Timebase/Display board and rotate it (and the Top chassis) upward about 45 degrees. While supporting the Top chassis, disconnect the ribbon cable connector at J 131 (left-front corner of the Timebase/Display board) and the flex cable at J125 (right rear corner of the Processor board on the underside of the Top chassis).
- f. Continue to rotate the Top chassis until it is at a 180 degree angle to the top of the instrument. The top of the Processor board is now exposed.
- g. Disconnect the ribbon-cable connector from J 103 and the flex cable connector from J207 of the Processor board. J103 and J207 are located at the left-front corner of the board.
- h. Disconnect the ribbon cable connectors at J181 and J 120 of the Processor board. J 181 and J120 are located at the left rear corner of the board.
- i. Rotate the black retaining latch (center-right edge of the Processor board)  $\frac{1}{4}$  turn counterclockwise to release the board from the Top chassis.
- j. Grasp the right edge of the board and pull it slightly away from the Top chassis until it clears the head of the retaining latch unlocked in part i. Pull upon the board until the left edge of the board slips out of the four channel notches on the Top chassis. Fifth channel notch needs attention when reassembling.

Reverse parts a through j to install the board on the Top chassis and to secure the Top chassis to the Center chassis. Take care to fit the edge of the board to the four channel notches when installing it on the Top chassis.

### 4. Front Panel Board Removal

- a. Perform Step 1 to remove the cabinet from the instrument.
- b. Set the instrument on a flat, smooth surface, with its underside facing down and the Front Panel facing forward.
- c. Pull straight out on the INTENSITY control knob to remove it from its shaft.
- d. Using a small, flat-bladed screwdriver, gently pry loose and remove the top trim cover.
- e. Remove the four screws exposed by part d.
- f. Turn the instrument over to expose the bottom of the trim ring and remove the two screws securing the front feet to the instrument. Remove the feet from the trim ring.
- g. Remove the two remaining screws securing the trim ring.
- h. Grasp the edges of the trim ring and pull forward to remove it from the Front casting.
- i. Turn the instrument over so its top side is up.
- j. Remove the three mounting screws securing the Timebase/Display board to the Center chassis.
- k. Using a  $\frac{7}{32}$  inch nutdriver, rotate the three black retaining latches counterclockwise  $\frac{1}{4}$  turn to unlock them. The two retaining latches are located near the left-front and left-rear corners of the Timebase/Display board.
- l. Grasp the left edge of the Timebase/Display board and rotate it (and the Top chassis) upward about 45 degrees. While supporting the Top chassis, disconnect the flex cable at J125 (right-rear corner of the Processor board on the underside of the Top chassis).
- m. Continue to rotate the Top chassis until it is at a 180 degree angle to the top of the instrument.
- n. Disconnect the ribbon cable connector from J 166 on the Low Voltage Power Supply board and push it towards the rear of the instrument. J166 is located at the left-front section of the board near the front corner of the Center chassis.
- o. Disconnect the ribbon cable connector from J150 at the front of the Side board.
- p. Remove the anode lead from its retainer and position it away from the lower square hole in the Main chassis. Take care not to separate the male end of that lead from the female end.

- q. Disconnect the ribbon cable connector from J152 of the Main board. J 152 is located in front of the High Voltage shield, at the lower left side of the instrument.
- r. Carefully route the connectors disconnected in parts o and q to the inside of the instrument.
- s. Gently push the backside of the Front Panel Control assembly until it is removed from the Front casting.
- t. To remove the Front Panel Control board from the Front Panel, perform the following subparts:
  - 1. Using a 1/16 inch allen wrench, remove the CH 1 and CH 2 VOLTS/DIV control knobs, as well as the A and B SEC/DIV control knob.
  - 2. Pull straight out on the remaining six control knobs to remove them from their shafts.
  - 3. Turn the Front Panel face down and remove the four mounting screws from the Front Panel Control board. Separate the Front Panel from the board.

Reverse parts a through t to assemble the Front Panel assembly and install it on the instrument. Take care to align the GPIB Status indicators to their holes in the trim ring when installing that band.

## 5. Main Board Removal

- a. Perform Step 1 to remove the cabinet from the instrument.
- b. Perform parts b through h of Step 4 to remove the Front Panel trim ring.
- c. Pull the Front Panel assembly forward until it is clear of the Front casting and the face of the Front casting is accessible (it is not necessary to disconnect the cables connecting the assembly to the main instrument).
- d. Remove the six screws securing the Main board to the Front casting. The screws are located on the face of the casting and are adjacent to the four BNC connectors.
- e. Disconnect the two flex cable connectors at J 104 and J 108, and the ribbon cable connector at J 105. J104, J105, and J108 are located near the right-front corner of the board.
- f. Disconnect the three ribbon cable connectors from J111, J113 (TV Trigger option only), and J141 at the left edge of the board.

- g. Disconnect the cable connector from J 107, located near the right-rear corner of the board, and from J 106, located near center-front edge of the board.
- h. Remove the screw securing the end of the Power switch's extension shaft to the Front casting.
- i. Grasp the large extension shaft near where it joins to the small shaft of the power switch and pull it upwards from the Main board to disconnect it. Lift up and back (towards the rear of the instrument) to remove the extension shaft from the Front casting.

### NOTE

*When installing the extension shaft to the Power switch, push the small shaft to put the switch in the IN position. Insert the shaft into the Front casting, align the extension shaft to the small shaft, and push the button end of the switch until the two shafts are coupled.*

- j. Using a 7/32 inch nutdriver, rotate the seven black retaining latches ¼ turn counterclockwise to release them.
- k. Disconnect the flex cable connector from J114 and the two retaining latches. J114 is located in left-rear corner of the board.
  - 1. Remove the two mounting screws securing the Main board to the Main chassis.
- m. Lift the board up from the instrument and back from the Front casting to complete the board removal.

Reverse parts a through m to install the Main board. When positioning the Main board over the retaining latches, first position the board with the three center latches. Secure those latches into place. Next, secure the three latches to the right rear of the instrument and then the left front latch.

## 6. Side Board Removal

- a. Perform Step 1 to remove the cabinet from the instrument.
- b. Set the instrument on a flat, smooth surface with the Side board facing up and the Front Panel facing forward.
- c. Disconnect the ribbon cable connectors from J111 and J141 of the Main board.
- d. Disconnect the ribbon cable connectors from J 100 of the Timebase/Display board and J103 of the Processor board. The two connectors are attached to the same ribbon cable.

- e. Disconnect the ribbon cable connectors from J121 of the Timebase/Display board and J 120 of the Processor board. The two connectors are attached to the same ribbon cable.
  - f. Disconnect the ribbon cable connector from J 150 of the Side board.
  - g. Perform parts j through l of Step 4 to access the inside of the instrument.
  - h. Disconnect the ribbon cable connector from J 102 at the right front corner of the Low Voltage Power Supply board and route the cable to the outside of the instrument.
  - i. Rotate the Top chassis back to the normal (installed) position. Using a 7/32 inch nutdriver, rotate the two retaining latches 1/4 turn clockwise to temporarily secure it to the instrument.
  - j. Rotate the black retaining latch (near the front of the Side board) 1/4 turn counterclockwise to unlock it.
  - k. Remove the mounting screw (center of the Side board) securing the Side board to the Main chassis.
  - l. Lift the front of the Side board up until it clears the retaining latch and then pull the board forward, until it clears the channel notch at its rear edge, to complete the removal.
- c. Remove the anode lead from the retainer that secures it to the Main chassis.
  - d. Disconnect the CRT lead (male end) from the High Voltage Module lead.
  - e. Remove the single screw securing the High Voltage Power Supply and lift the High Voltage shield off.

**WARNING**

*The five mounting posts on the side of the High Voltage module (U565) may retain a high-voltage charge after the instrument is powered off. To avoid electrical shock, discharge these posts to the metal chassis through an appropriate shorting strap.*

- f. Discharge the five posts on the side of the High Voltage Module to the metal chassis.
- g. Disconnect the cable connectors from J172 and J173, located at the front edge of the board, and from J162 and J176, located the rear edge of the board.
- h. Disconnect the remaining ribbon connector from J105 on the Main board.
- i. Pry outward on either one of two retaining latches securing the fan on its mounting posts. As the latch clears the edge of the fan, pull the fan outward and away from the instrument to remove. The latches are located at opposite corners; one at the bottom corner nearest the rear, the other at the top corner nearest the front, of the instrument.
- j. Perform parts j through l of Step 4 to access the inside of the instrument.
- k. Disconnect the CRT connector from the back of the CRT.
- l. Rotate the two black retaining latches (near the front- and rear-left corners of the High Voltage Power Supply board) 1/4 turn counterclockwise to unlock them.
- m. While holding its nut (located between the CRT shield and the adjacent Main chassis) stationary, remove the mounting post (near the center of the board) securing the High Voltage Power Supply board to the Main chassis.
- n. Lift the left edge of the board up to clear the retaining latches. Pull the board to the left, until its right edge clears the two channel notches, to complete the removal.

Reverse parts a through l to install the Side board in the instrument. Take care to fit the rear edge of the board to the channel notch when reinstalling to the chassis.

## 7. High Voltage Board Removal

- a. Perform Step 1 to remove the cabinet from the instrument.
- b. Set the instrument on a flat, smooth surface with the High Voltage Supply board facing up and the Front Panel facing forward.

**WARNING**

*The CRT anode lead may retain a high-voltage charge after the instrument is powered off. To avoid electrical shock, ground the CRT anode lead to the metal chassis after disconnecting the plug. Reconnect and disconnect the anode-lead plug several times, grounding the anode lead to chassis ground each time it is disconnected to fully dissipate the charge.*

Reverse parts a through n to install the High Voltage Power Supply board. Take care to fit the left edge of the board to the channel notches when reinstalling the board.

## 8. Low Voltage Power Supply Assembly Removal

- a. Perform Step 1 to remove the cabinet from the instrument.
- b. Disconnect the ribbon cable connector at J113 of the Main board to access the mounting screw at the center of the Side board. Remove that screw.
- c. Remove the mounting screw at the center of the Side board.
- d. Disconnect the ribbon cable connector at J148 of the Timebase/Display board.
- e. Perform parts j through i of Step 4 to access the inside of the instrument.
- f. Disconnect the ribbon cable connectors at J102 (right front corner of the Low Voltage Power Supply board) and J166 (left front corner of the same board).
- g. Disconnect the flex cable connector from J207 at the left front corner of the Processor board.
- h. Remove the six screws and two extension posts securing the Low Voltage Power Supply cover (hereafter referred to as "the cover" for the remainder of this step) to the Low Voltage Power Supply bracket.
- i. Remove the screw securing the cover to the Center chassis.
- j. Remove the two screws securing the cover to the Rear chassis. One screw is located immediately below the GPI B Connector, the other immediately below the PLOTTER X OUTPUT BNC.
- k. Lift the cover off the Low Voltage Power Supply bracket to remove.
- l. Disconnect the four cable connectors from P30, P60, P70, and P80 (located near the rear of the Low Voltage Power Supply board). Note the color coding of P30 and P60 cables to guide in reconnection of same.
- m. Using a 7/32 inch nutdriver, rotate the two black retaining latches (near the left and right front corners of the Low Voltage Power Supply board)  $\frac{1}{4}$  turn counterclockwise to unlock them. Repeat for the two latches located near the middle of the right and left edges of the board.
- n. Remove the mounting screw securing the Low Voltage Power Supply assembly to the Main chassis. The screw is located near the right-front corner of the board.
- o. Carefully route the disconnected cables away from the top side of the Low Voltage Power Supply assembly.
- p. Grasp the front of the Low Voltage Power Supply bracket and lift up until the Low Voltage Power Supply board is clear of the retaining latches Unlocked in part m.
- q. Pull the board towards the front of the instrument (until its rear edge clears the two channel notches) while lifting upwards to complete the removal of the assembly.

Reverse parts a through q to assemble the Low Voltage Power Supply assembly and secure it to the instrument. Take care to fit the board to the channel notches when reinstalling the board.

## 9. Cathode Ray Tube Removal

### **WARNING**

*Use care when handling a CRT. Breakage of the CRT may cause high-velocity scattering of glass fragments (implosion). Protective clothing and safety glasses (preferably a full-face shield) should be worn. Avoid striking the CRT on any object which may cause it to crack or implode. When storing a CRT place it in a protective carton or set it face down on a smooth surface in a protected location. When stored face down, it should be placed on a soft, nonabrasive surface to prevent the CRT face plate from being scratched.*

- a. Perform Step 1 to remove the cabinet from the instrument.
- b. Perform parts c through i of Step 4 to remove the trim band from the instrument.
- c. Remove the implosion shield from the CRT faceplate.

- d. Remove the anode lead from the retainer that secures it to the Main chassis.

**WARNING**

*The CRT anode lead may retain a high-voltage charge after the instrument is powered off. To avoid electrical shock, ground the CRT anode lead to the metal chassis after disconnecting the plug. Reconnect and disconnect the anode-lead plug several times, grounding the anode lead to chassis ground each time it is disconnected to fully dissipate the charge.*

- e. Disconnect the CRT anode lead (male end) from the high-voltage module lead. Discharge the CRT anode lead by grounding its tip to the metal chassis.
- f. Disconnect the cable from J172 at the right-front corner of the High Voltage Power Supply board.
- g. Perform parts j through l of Step 4 to access the inside of the instrument.
- h. Disconnect the CRT connector from the back of the CRT.
- i. Disconnect the single cable from the CRT (accessed through a hole in the top of the CRT shield).

- j. Disconnect the ribbon cable at J148 of the Timebase/Display board.
- k. Disconnect the flex cable at J104 of the Main board.
- l. Remove the eight screws (two at each corner) securing the CRT frame to the Front casting.
- m. Remove the CRT frame from the Front casting. Guide the flex cable disconnected in part k through its slot in the Front casting while removing the CRT frame.
- n. Grasp the face of the CRT and pull it forward, while guiding the CRT anode lead and the other cable (disconnected in part f) through their holes in the CRT shield. It may be necessary to reposition the ribbon cable (disconnected in part j) as the removal of the CRT is completed.

Reverse parts a through n to install the CRT. When installing the CRT frame (removed in part m) to the casting, refer to Figure 6-3 for the method of installation.

**10. Menu Switch Removal**

- a. Perform Step 1 to remove the cabinet from the instrument.
- b. Disconnect the flex cable at J104 of the Main board.
- c. Perform parts c through i of Step 4 to remove the trim band from the instrument.

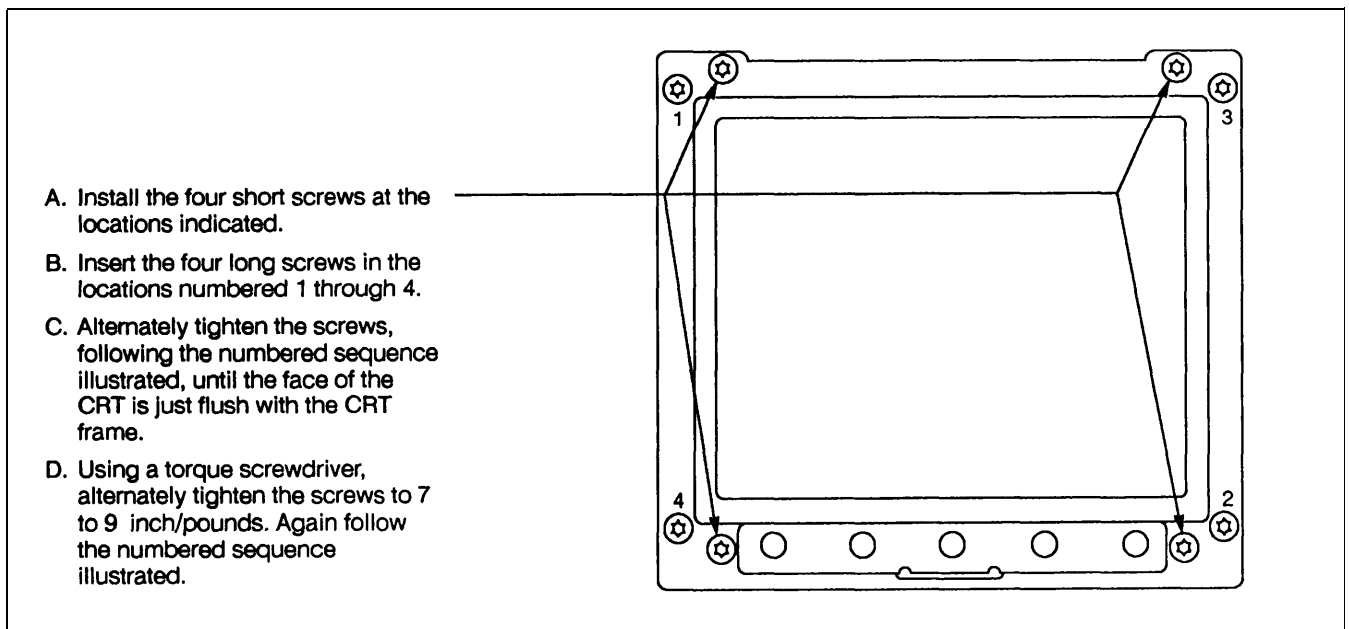


Figure 6-3. installation sequence for installing the CRT frame screws.

- d. Perform parts through m of Step 9 to remove the CRT frame from the instrument.
- e. Carefully pull the adhesive-backed switch from the front of the CRT frame.
- f. Pull the switch through the hole in the CRT frame to complete the removal.

Reverse parts a through f to install the Menu switch to the CRT frame and the frame to the instrument. Use care to align the switch to the locating studs on the CRT frame when pressing the switch back on the frame.

### 11. Scale Illumination Board Removal

- a. Perform Step 1 to remove the cabinet from the instrument.
- b. Perform parts b through e of Step 10.
- c. Disconnect the Scale Illumination board cable from J106 (located near the front edge of the Main board).
- d. Remove the Scale Illumination board and the attached light reflector while guiding the cable (disconnected in part b) through its hole in the Front casting.
- e. Separate the Scale Illumination board from the light reflector to complete the disassembly.

Reverse parts a through e to install the Scale Illumination board to the instrument.

### 12. Attenuator Removal Procedure

- a. Perform Step 1 to remove the cabinet from the instrument.
- b. Perform parts b through s of Step 4 to access the inside of the instrument, skipping parts n, p, and q. When performing part r of Step 4, route the cable disconnected in part o.
- c. Insert the tip of a short screwdriver through the large slot in the Front casting (above and right of the associated input BNC connector). Remove the screw securing the front of the Attenuator to the Main board.

- d. Insert the tip of a screwdriver through the hole in the Low Voltage Power Supply board that is directly above the Attenuator to be removed. Remove the screw securing the rear of the Attenuator to the Main Board.
- e. Rotate the Timebase/Display board to its mounting position and temporarily secure it by rotating the two black retaining lugs  $\frac{1}{2}$  turn clockwise to lock them. The two retaining latches are located near the left-front and left-rear corners of the Timebase/Display board.
- f. Remove the two screws securing the rear Attenuator shield to the heatsink. Remove the small shield.
- g. Unsolder the two Attenuator output leads from the variable-capacitor lead and the resistor-capacitor pair lead exposed in part f.
- h. Unplug the multipin connector from the Main board (at P147 for the CH 1 and P146 for the CH 2 Attenuator).
- i. Remove the two screws (one is immediately lower left and the other upper right of the associated input BNC connector) securing the Attenuators to the Front casting.
- j. Remove the two screws securing the small bar to the bottom of the Front casting.
- k. Grasp the front end of the Attenuator assembly by its BNC connector and the rear end by the rear edge of the Attenuator shield.
- l. Gently lift the Attenuator straight up from the Main board until the Attenuator pins clear their Main board plugs underneath the Attenuator assembly. Lift the rear of the Attenuator assembly up and towards the rear of the instrument until the Attenuator clears the braided shield cable mounted in the Front casting.

Reverse parts b through l to reinstall the Attenuator. When performing part b, reverse parts b through s of Step 4 to reinstall the Front Panel and secure the Timebase/Display board and Front Panel assembly to the instrument.



# INTERNAL DIAGNOSTICS AND CALIBRATION ROUTINES

## INTRODUCTION

This subsection describes function and operation of the internal diagnostics and calibration routines. Where calibration routines make use of internal diagnostics, the interaction is explained. Status and other messages resulting from running the diagnostics or calibration routines are also detailed, and special conditions, such as the impact of power loss while certain diagnostic or calibration routines are running, are discussed.

In addition to the diagnostics and calibration routines, the Special Diagnostic menu and the features it accesses are also covered, including how they relate to the internal diagnostic routines. Information on how to run the diagnostics from the GPIB interface is included, followed by a table of Diagnostic/Troubleshooting procedures for this instrument.

## OVERVIEW

This instrument supports two types of internal diagnostic tests and calibration routines. Self Calibration (SELF CAL) and Extended Calibration (EXT CAL) calibrate the analog subsystems of the scope to meet specified performance requirements. Any detected faults in the control system and/or in the self-calibrating hardware result in a "FAIL" message that labels the failed calibration type (SELF or EXT). Both SELF CAL and EXT CAL make use of some of the diagnostic routines that comprise the Extended Diagnostics.

Self Diagnostics (SELF DIAG) and Extended Diagnostics (EXT DIAG) are the two types of diagnostic routines used to detect and isolate system operation faults in this instrument. The tests are based on a multi-level scheme. First the highest system level, the kernel, is tested and then lower-level subsystems are progressively tested. Each lower-level subsystem tested follows a higher-level system that tested good. When the SELF DIAG detect a system fault, it isolates the fault to one of the upper-level subsystems immediately above the kernel. EXT DIAG can then be used to isolate the failure to lower-level subsystems and to test those subsystems, down to the lowest possible level.

In addition to the calibration and diagnostic routines just mentioned, there are the "Special" diagnostic features, useful for instrument troubleshooting, and **Service Routines** which are usually used with the Extended Diagnostics to isolate instrument failures.

## CALIBRATION ROUTINES

### SELF CAL

When the system runs the Self Calibration routine, it generates test voltages to the Peak Detectors via the Cal Amplifier and DAC system. These voltages are used to set the gains, offsets and/or centering, and balance of the CCD Samplers, Peak Detectors, and Preamplifiers. The system uses iterative calculations to modify these voltages until converged solutions are reached; these converged solutions become the calibration constants stored in NVRAM (nonvolatile RAM) and are used to maintain calibration.

When SELF CAL is run, there is some interaction between the calibration routines for the different analog circuits calibrated. This interaction is minimized by using calibration constants obtained from the last SELF CAL run as starting values for calculating the new calibration constants when a new SELF CAL is run. If you are running a SELF CAL after a "COLD START" (see "Special Diagnostics" in this section), the previous calibration constants are discarded; therefore, the SELF CAL tests are done twice to assure a converged solution. (The time required to perform the SELF CAL procedure from a COLD START is, therefore, obviously longer than the normal SELF CAL.)

SELF CAL can be run from the front-panel using the EXTENDED FUNCTIONS menu or by the GPIB routines for automatically calibrating the internal analog systems. SELF CAL routines take about 10 seconds and calibrate most of the analog system. A SELF CAL may be performed by the user at any time (scope should be warmed up). Recommended times are: when the ambient operating temperature changes by a significant amount since the last SELF CAL was run (see Level 7000-9000 Tests under "Diagnostic Test and Calibration Failures"); and before a measurement is made which requires the highest possible level of accuracy.

### EXT CAL

Extended Calibration (EXT CAL) is an interactive procedure that requires the calibrator to apply standard voltages to the Vertical and External trigger inputs as part of the procedure. EXT CAL uses the test voltages to automatically set the correct Attenuator gain through the Preamplifiers and the Trigger circuitry offset and gain. The internal 10-V Calibration Reference is verified against the applied DC test voltage standard as part of the ATTENUATOR calibration.

The ADJUSTS routines generate test waveforms or voltage levels that are used by the calibrator to set the vertical and horizontal gain and offset for the CRT drive signal and the CCD output amplifier gains. These display adjustments also include edge focus, geometry, CRT bias, and other adjustments to optimize the CRT display. (No two CRTs are exactly alike; therefore, these tests must be user-interactive.)

The Repetitive calibration sets the slope of two internal timing ramps that are part of the feedback system used in locating points of repetitively-acquired data. Repetitive calibration is a COARSE adjustment and should only be run after a COLD START has been executed. A continuous FINE adjustment occurs during instrument operation to keep the calibration adjusted properly.

Other manual adjustments requiring calibration are the 50 MHz bandwidth limit, and the CCD clock sample skew.

Extended Calibration via the GPIB allows greater choice as to which part of the analog systems is calibrated. For instance, when the TRIGGER calibration is run from the EXT CAL menu, four gain and four offset adjustments are made for both the A and B Trigger systems. Any of these eight adjustments can be individually run from the GPIB. Each test in the EXT DIAG menu that runs as a result of executing EXT CAL has an EXT CAL adjustment associated with it and the adjustment can be run, individually or with other adjustments, from the GPIB. See the LEVEL 7000-9000 test information under "Diagnostic Test and Calibration Failures" for the test levels that run when EXT CAL is executed.

### Calibration Operation

The steps and equipment needed to completely calibrate this instrument are found in Section 5, "Adjustments Procedure." Further information is found at the beginning of this section under "Instrument Calibration."

**CAL/DIAG menu.** All calibration routines are accessed by selecting CAL/DIAG from the EXTENDED FUNCTION menu (they can also be run via the GPIB). The EXTENDED FUNCTIONS menu is selected by the MENU/EXTENDED FUNCTIONS button when no other menus are displayed. Pressing the bezel button under the CAL/DIAG menu label produces the following menu display:

<status>	<status>	<status>	<warm-up-msg>
SELF	EXT	SELF	EXT
CAL	CAL	DIAG	DIAG

Pushing SELF CAL runs the previously described routine that calibrates this scope's analog subsystems. If the SELF CAL is successful, the PASS status is displayed above the SELF CAL button label in the CAL/DIAG menu. Failing SELF CAL causes the scope to enter the EXT DIAG menu (see fig. 6-5). If the CAL/DIAG menu is recalled, the FAIL status is displayed.

Pushing EXT CAL displays the EXT CAL menu:

<status>	<status >	< status>	
ATTEN	TRIGGER	REPET	ADJUSTS 1

Pushing any of the four left-most menu buttons begins execution of the semi-automatic calibration routine corresponding to the button label. Pressing the up-arrow button returns to the CAL/DIAG menu level. The correct DC test voltages must be input to complete the ATTEN and TRIGGER calibration.

EXT CAL routines can be aborted at any time by pressing the MENU OFF/EXTENDED FUNCTIONS button, but once a calibration routine (except ADJUSTS) is started, it must be successfully completed or the status will be FAIL.

### NOTE

*Extended Calibration is considered a service function; therefore, the EXT CAL menus are normally disabled to make them unusable by the scope operator. The cabinet must be removed and jumper J156 must be removed (fig. F0-21, sheet 2) to enable the menus. Disabling is done to prevent accidental loss of calibration by scope operators.*

The "<status>" message above the CAL labels indicates the results of the last test run for the calibration type above which it appears in the CAL/DIAG menu. When a failure occurs, "<status>" is NOT immediately updated; rather, a new test must be run to determine current status:

- a. During SELF CAL, some of the tests under levels 7000-9000 of the Extended Diagnostics are run. The scope enters the EXT DIAG menu in the event of a failure of these sublevel tests and indicates the level failed. Since the tests pertaining to SELF CAL are run, the status label for SELF CAL is updated when a SELF CAL is performed.
- b. For internal component failures that would cause EXT CAL to fail, the status is updated when EXT CAL is run, either from the front-panel or GPIB, or upon instrument power on.

For. calibration, <status > can be:

- UNCALD instrument has not been calibrated
- FAIL hardware errors were detected during calibration (calibration may not be valid).
- PASS the instrument was successfully calibrated.

" < warm-up-msg > ." The actual message displayed is the warning "NOT WARMED UP." This message is displayed for approximately ten minutes after power-on to warn that calibration of the instrument during this period is not recommended.

The "NOT WARMED UP" message is displayed after every power-on, even if the scope is turned off and then right back on. In this case, calibration maybe performed one minute after completion of the power-on routine.

**NOTE**

*Running an EXT CAL for ATTEN andlor TRIG calibration without inputting the correct DC voltage levels causes the "FAIL" message to appear above the ATTEN andlor TRIG menu labels but does NOT change the ATTEN andlor TRIGGER calibration. See the LEVEL 7000-9000 test information under 'Diagnostic Test and Calibration Failures "for the test levels that run when EXT CAL is executed.*

**DIAGNOSTIC ROUTINES**

The two main types of internal diagnostic routines are Self Diagnostics (SELF DIAG) and Extended Diagnostics (EXT DIAG). Both types can be executed from scope menus. The Self Diagnostics, as well as those subtests below the 7000-9000 level that run when EXT CAL is executed, are a subset of the Extended Diagnostics.

**EXT DIAG**

The Extended Diagnostics include all of the automatic test routines internal to the scope. Although the EXT DIAG are run when SELF DIAG runs, the individual tests can be performed at several levels from the EXT DIAG menu and its submenus (see "Diagnostics Operation").

**EXT DIAG.** The Extended Diagnostics are set up in a multi-level structure, the hierarchy of which is:

- 0000 Top Level of the Extended Diagnostics. When run, the Self Diagnostics are done (see "Self Diagnostics" in this section).

- 1000-9000 Second level (first level under top level). When any of these nine levels run, all sublevel tests below the running second level are done. All eight of these second level tests (and their sublevel tests) run when level 0000 is executed (executing level 0000 runs the Self Diagnostics).
- x 100 - x900 Third Level, where x is the most significant digit of the second level test the third level is under. When run, any sublevel tests are also run.
- xy10-xy90 Fourth Level, where x indicates the second level and y the third level test the fourth level is under.

**CAPABILITY OF EXT DIAG.** The hierarchical structure just detailed allows selective testing and fault isolation/location of instrument subsystems from the highest to the lowest levels. The second levels are those subsystems immediately below the kernel and levels three and four are progressively lower subsystems of those sub-kernel systems. Status (FAIL, PASS, or blank for not tested) appears at the top and second levels in the EXT DIAG menu if Self-Diagnostics are run; lower levels must be selected and run to determine individual status of lower subsystems.

Any individual test selected can be made to loop to isolate signal path problems with external test and measurement equipment, once the area of failure has been determined by the automatic tests.

Any of the Extended Diagnostics tests may be accessed either individually or in selected groups using the EXT DIAG control menu. The tests use internal feedback and the digitizing capabilities of the instrument to minimize the need for applying external signals or for using external test equipment to troubleshoot. Testing of a failed area down to the lowest functional level possible (in some cases to the failed component) provides direction for further troubleshooting with service routines and/or conventional methods. Troubleshooting a failure may be based on assumptions made possible by running selected tests to verify good circuit blocks, thereby eliminating those blocks from consideration as a failed area.

**SECOND LEVEL TEST DESCRIPTIONS.** When the second-level (1000-9000) test is run, the following systems are tested:

- Test 1000 System ROM is checked to validate memory operation.
- Test 2000 Read/Write and Addressing tests are performed on registers.
- Test 3000 System RAM is checked for write-read capability to all addresses.

Test 4000	Front panel processor is checked.
Test 5000	Waveform processor is checked.
Test 6000	Checksums of NVRAMS are done to validate the stored calibration constants and waveform data.
Test 7000-9000	Calibrated analog circuits are tested to see if they will pass with the present calibration constants.

It is important to realize that, although status of the tests is indicated at the sublevels immediately below the kernel (1000, 2000, etc.), the tests are also run at any lower levels (3rd, 4th, etc.) in order to check out the indicated circuits. The only exceptions are as follows:

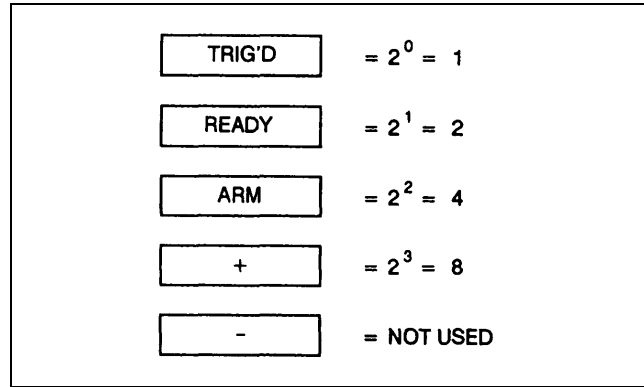
1. Levels 3700 and 3800 may only be executed from EXT DIAG and then only if internal jumper J156 is removed (fig. FO-21, sheet 2).
2. CKSUM-NVRAM tests at level 6000 are only executed at power-on. When selected from EXT DIAG, only the flag status is changed.
3. The ATTENUATOR test at the 8700 level, the EXT TRIG OFFSET and GAIN tests (9114-17,9124-27, 9213-16, 9223-26), and the REPET test (9300) are not run when Self Diagnostics are run. None of these tests run from the EXT DIAG menu. These tests are run when EXT CAL is run for ATTEN, TRIG, and/or REPET respectively.

**SELF DIAG**

The Self-Diagnostic routine runs the 1000-9000 level tests from the Extended Diagnostics. As mentioned, these diagnostic routines test the function of all subsystems immediately below the kernel level (the kernel being the "highest" level) and the lower-level systems below each subsystem. The tests of subsystems immediately below the kernel are shown as levels 1000-9000 when the EXT DIAG menu is displayed (see fig. 6-5). See the descriptions under "Second-Level Tests" for details on the circuits tested.

**BINARY CODE FOR FAILED TESTS.** In most cases, the EXT DIAG menu is the major tool in determining causes of internal failures. In the case of a failure that keeps the scope from displaying its EXT DIAG menu, the TRIGGER LEDs flash a binary code that indicates the FIRST test that failed.

As Self-Diagnostic tests run, the Trigger LEDs flash indicating that the self tests are being run. In a normal sequence with no failures, the tests run quickly, and the length of time that an LED is lighted is short. If a failure occurs, the Trigger LEDs flash a binary code of the FIRST failed test (see fig. 6-4 for the binary codes of the LEDs).



**Figure 6-4. Trigger LED binary coding for diagnostic tests.**

This failure display is important, since it can be the only troubleshooting clue available if the scope cannot display the extended diagnostics menu.

For example, if test 2130 should fail, the following sequence of LED flashes occur to indicate the failed test number:

1. All the LEDs are lit at the start of Self Diagnostic routine to verify they can be turned on.
2. The LED's flash, indicating that tests are being run.
3. When the test failure occurs, all the Trigger LEDs are lighted and held on momentarily, indicating a failure has been found.
4. For the first number of the failed test, the READY LED turns on for a binary 2 (the failed test is in the 2000 level); all the LEDs are then turned on to delimit the first digit of the failed test from the second digit to follow.
5. The second number of the test number (one) is shown by turning on the TRIG'D LED for the binary code for 1, then all the LEDs are again turned on as the code digit delimiter.
6. The third number of the failed test (three) is shown by turning on both the TRIG'D and the READY LEDs. Their binary values are summed (1 + 2) to obtain the third number of the failed test (three), and all the LEDs are again lit to separate the digits.
7. The fourth and final number of the failed test is 0, and all the LEDs light to identify the end of the failed test code.
8. After flashing out the coded number of the first failed test, the diagnostics continue on with the remaining tests, if they can be run. Any additional failures found will NOT be flashed on the Trigger LEDs.

<C> TEK. INC 1988 ALL RIGHTS RESERVED				
FIRMWARE VERSION NUMBERS AND DATE				
100	0000	EXTENDED-DIAGNOSTICS		
90	1000	SYS-ROM		PASS
	2000	REG		PASS
	3000	SYS-RAM		PASS
	4000	FPP		PASS
	5000	WP		PASS
	6000	CKSUM-NVRAM*		PASS
	7000	CCD		PASS
	8000	PA		PASS
10	9000	TRIGS		FAIL
0%		UNCALD		
	RUN ONCE	RUN/SEL	MODE	HALT

Figure 6-5. Main EXT DIAG menu.

If you miss the code the first time (as is usual unless you are expecting a failure), Self Diagnostics must be run again. If a failure prevents display of the EXTDIAG menu, you must turn off the scope and turn it back on again to rerun the tests. It takes a little practice to read the failure codes from the LEDs.

If it can, the scope displays the Extended Diagnostics menu if a failure is found (or if the Self Diagnostics were run from that menu). The display of test selections in the Extended Diagnostics menu is a hierarchically structured set of tests in lists containing the test numbers, test names, and last status of the test results. If the test has not been run since the last COLD START, no status will be displayed. If an upper level test in the set (such as REG) is run, all tests in the REG test hierarchy will be done and labeled with a PASS or FAIL status. Menu operation is covered in "Diagnostics Operation."

### Diagnostics Operation

Diagnostics can be run from the Front Panel or via the GPIB. The Self-Diagnostics are also executed when the instrument is powered up. For both the Self and Extended Diagnostics, Front Panel access is from the same CAL/DIAG menu used to access the calibration features.

Pushing SELF DIAG or powering up the scope causes the Self Diagnostics to run. These routines take about 30 seconds. First the TRIGGER status LED's flash as previously described. Then, if all tests are passed, the scope displays the main EXT DIAG menu if SELF DIAG was run from that menu, or returns to scope mode if SELF DIAG was run due to power-on. If passed when run from the CAL/DIAG menu, the scope returns to that menu and indicates the PASS status above the SELF DIAG button label. Failure of a test always returns the EXT DIAG menu

regardless of what caused the SELF DIAG to run. The EXT DIAG menu is exited by pressing the MENU OFF/EXTENDED FUNCTIONS front-panel button.

**Diagnostic MENUS.** Since the diagnostics routines are layered into a multi-level, hierarchical structure, the diagnostic menus are also layered this way. In each menu, there is one higher level test displayed, along with several equal sublevels. The menus are used to either run the higher (top) level test or to select a menu for one of the sublevels displayed. The selected sublevel test can then be run as the top level of the submenu selected. Examination of the EXT DIAG menu should illustrate the structure.

Pushing EXT DIAG displays the main Extended Diagnostics menu (see fig. 6-5). In this menu, the top level test is listed as "EXTENDED-DIAGNOSTICS" and its level number is "0000." The status at the time the test was last run is also indicated on the display line. All the other tests listed are one level below this level (1000-9000) and are indented to indicate their subordinate. The bottom three lines appear in this main menu and all submenus for use in selecting and running tests.

**UP/DOWN ARROWS.** The up-arrow and down-arrow buttons move an underscore pointer through the displayed list of diagnostic tests. Moving the pointer to a diagnostic below the top-level test line and then pressing the RUN/SEL button selects a submenu of tests available at the next level down with that diagnostic. Moving the pointer up above the top-level test line returns to the next level of hierarchy in the menu (if not in the main Extended Diagnostic menu; at the top -test 0000). When in the main Extended Diagnostic menu, pressing the up-arrow button returns the CAL/DIAG menu).

A press of RUN/SEL with the pointer at the top line (top level) causes all the tests at and below that diagnostic level to be run. An individual test can be selected by using the arrow keys to move the pointer to the desired test, then pressing the RUN/SEL button twice (once to select it, and once to run it). The cumulative result of any test run will be displayed on test completion at the right of the title line. This will be either PASS, FAIL, or blank if an attempt was made to run a non-automatic test.

### NOTE

*A diagnostics name in the Extended*

*not testable. The asterisk indicates either that the test is run only during an EXT CAL or run at power-on SELF DIAG only. The PASSIFAIL status is the result of the last EXT CAL or the last power-on check. A FAIL label on an asterisked test is accompanied by the "RUN SELF CAL THEN RUN EXT CAL" diagnostic message above the bezel button labels. An UNCALD label also appears above*

*the uncalibrated selection of the EXT CAL selection in the CAL DIAG menu.*

**MODE.** The MODE button rolls through four mode choices for running the selected test. The choices are RUN ONCE, RUN CONTINUOUS, RUN UNTIL FAIL, and RUN UNTIL PASS. The last two modes are continuous modes until the required condition is met.

If RUN Continuous is chosen before starting the selected test, it will be continually executed until the HALT button is pressed. RUN UNTIL PASS and RUN UNTIL FAIL modes may also be stopped using the HALT button. If an asterisked test (not presently testable) is selected, the mode switches to RUN ONCE and RUN ONCE, and the test does not run.

**NOTE**

*If one of the continuous MODES is chosen, pressing the HALT button will stop the test AS LONG AS THE HALT LABEL IS SOLIDLY DISPLAYED above the button. If level 4000 is run, the display will be flashing and the HALT button is ignored (instrument must be powered down, and then up, to stop execution).*

**HALT.** Pressing HALT causes all diagnostic test activity to stop at the finish of the current test in progress. It is especially used to bait a test running in a continuous mode.

Remember that, when using any Extended Diagnostic menus, the top (default) level test in the menu is the only one that can be run from the menu displayed. For example, moving the pointer to underline "3000 SYS RAM" in the main menu and pressing RUN/SEL selects (displays) the System RAM submenu with 3000 SYS RAM underlined and at the top level. Pressing RUN/SEL runs the 3000 level test. Moving to, say, "3500 A11U440" (a sublevel in the displayed menu) and pressing RUN/SEL selects another lower-level submenu where the 3500 level test is the top level. This process can be continued until the lowest levels are reached.

**STATUS.** The status for the test at the time the last test is run appears next to the test names. For diagnostics <status> can be:

- (blank) test has not been executed.
- FAIL test failed on last attempt.
- PASS test passed on last attempt.

The <status> appearing on the test lines requires some interpretation. The < status> for the top-level test for any EXT DIAG menu can be one of three states as indicated above. PASS means ALL the sublevel tests THAT RUN when the top level is run passed; FAIL means

at least ONE of the sublevel tests THAT RUN failed. If the operator has entered an EXT DIAG menu and not yet run the top level test, the status is blank.

For any sublevel test displayed below the top level in a menu, <status> is FAIL if any test in the submenu below that test was failed the last time it was run, whether or not it normally runs when the test in question runs (it is PASS if all are passed). In the case of a failed EXT CAL test, the upper-level tests which the failed test ran under will have FAIL status in the menus in which they appear as sublevel tests.

To illustrate the difference in interpretation just described, if the ATTENUATOR test, level 8700, failed at the last time the EXT CAL was run, SELF DIAG (level 0000) will pass if run because SELF and EXT DIAG do not run EXT CAL tests. However, level 8000 in the EXT DIAG menu will have FAIL status, since one of the submenus under level 8000 has FAIL status. If level 8000 is underlined and RUN/SEL used to select and then run the level 8000 test, it will pass, again because the 8700 EXT CAL test is not run.

To summarize, the top level status applies to all the tests that run under it, if the top level is run, or is blank if not run. Status on a sublevel test in menus applies to all tests in the submenu that fail under that sublevel test in the menu hierarchy, whether actually accessing and running the sublevel test would run those tests or not.

**NOTE**

*The status for sublevel tests in the EXT DIAG menus can also be blank. Blank status indicates that the results of the tests below the sublevels is unknown, such as when a COLD START has been performed.*

**Diagnostic Test and Calibration Failures**

Failures of the diagnostic tests run as a result of executing Extended Diagnostics or Self Diagnostics, as well as those run due to performance of SELF CAL or EXT CAL, are now discussed. Some tests are run only under special circumstances (such as only as the result of running an Extended Calibration or when an internal jumper is removed). The circumstances are described as the individual levels are discussed.

**LEVELS 1000-5000.** Tests in the 1000-5000 levels are hardware tests that run when Extended Diagnostics or Self Diagnostics are run. If the instrument fails a 1000-5000 level test, the instrument displays the message "HARDWARE PROBLEM-SEE SERVICE MANUAL" in the Extended Diagnostics menu. The second level test that failed will be indicated by the FAIL status on the test line. This message remains displayed until POWER-ON Self Diagnostics pass. Running and

passing the failed test, either from the Extended Diagnostic menu or via running Self Diagnostics from the CAL/DIAG menu, does not remove the message. Hardware failures should be referred to qualified service personnel.

Test levels 3700 and 3800 test the RAM devices that store the internal calibration constants. Loss of power while these tests run can result in the loss of these constants. To prevent such loss, this instrument will only run those tests if an internal jumper, J156 (see fig. FO-21, sheet 2), is removed before the tests are run. Run these tests only if necessary; this would normally be if a 6000 NVRAM failure has occurred and testing of device functionality is desired. In the event calibration constants are lost, SELF CAL and any calibrations labeled "FAIL" or "UNCAL" must be performed.

**LEVEL 6000 Tests.** The LEVEL 6000 diagnostics test the calibration constants, last front-panel setup, waveform, and Sequencer data stored in NVRAM. (This test is only run at power on for Self Diagnostics, unless J156 is removed, then it can be run from Self Diagnostics or Extended Diagnostics, no matter how initiated). Failure of a 6000 subset diagnostic test indicates a checksum failure of the stored data in the nonvolatile RAM. If test 6100 fails, tests 6200 and 6300 in the subset are not done.

The causes of a failure in the 6100-6300 bracket may be non-fatal to continued instrument operation, and normal (or near-normal) operation may be recovered by the user (also see "COLD START" under "Special Diagnostics" in this section).

- a. LEVEL 6100. If the calibration constants are lost, this test will fail and the instrument will do a "COLD START." The Extended Diagnostic menu will be entered and the message "RUN SELF CAL THEN RUN EXT CAL" will be displayed in that menu. Service personnel should perform the self calibration routine, plus the ATTEN, TRIGGER, and REPET Extended Calibrations. Unexplained loss of calibration constants indicates need for corrective maintenance.
- b. LEVEL 6200. Loss of the stored power-off front-panel settings (failure of FP-LAST test 6200) causes the scope to do an INIT PANEL on power-up (see Table 6-7 for the INIT settings). Recovery of normal operation is done by pressing MENU OFF/EXTENDED FUNCTIONS to exit EXTENDED DIAGNOSTICS and resetting the front-panel controls to the required settings for the measurement to be made. The "FAIL" condition for test 6200 will be reset to PASS and the scope will not enter EXTENDED DIAGNOSTICS on the next power-up if permanent failure of the memory has not occurred.

- c. LEVEL 6300-6400. Checksum failures of these levels indicate that waveform data and/or scaling information, or front-panel setups stored as sequences, are invalid. This may have occurred due to a memory failure or battery backup failure, or due to loss of power during the time the information was stored. Scope may be usable; recovery of operation is as for level 6200, above. The "FAIL" condition for test 6200 will be reset to PASS and the scope will not enter EXTENDED DIAGNOSTICS on the next power-up if permanent failure of the memory has not occurred.

**LEVEL 7000-9000 Tests.** Test failures at this level can be due to hardware or other causes.

A FAIL status (or PASS, for that matter) of the ATTENUATOR test (8700 level), the EXT TRIG OFFSET(9114-17 and 9124-27 levels) and/or GAIN tests (9213-16 and 9223-26 levels), and/or the REPET test (9300 level) are the result of the test(s) run at the time an Extended Calibration of the affected area(s) was last performed. These tests are not run when Self Diagnostics are run and are followed by an asterisk "\*" after their test name to indicate this. (Neither can these tests be run from the EXT DIAG menu; however, since the FAIL status at the second level (8000 and/or 9000) might or might not be the result of the sublevel Extended Calibration test, the EXT DIAG can be used to determine if it was an EXT CAL test that failed.)

Although these tests are not run at the Self-Diagnostic level, a failed status will result in the instrument displaying the Extended Diagnostics menu when the Self Diagnostics are run at power-on (Self-Diagnostics can PASS, however, since these tests are NOT actually run). The message "RUN SELF CAL THEN RUN EXT CAL" will be displayed in the menu. The message can only be removed by running the Extended Calibration for the failed test (either ATTEN, TRIG, or REPET). Extended Calibration is a service function and should be referred to qualified service personnel.

#### NOTE

*In the case of an invalid standard voltage being applied during the ATTEN or TRIG Extended Calibrations, this instrument does not change its calibration and its accuracy is unchanged. The previously described conditions for a failed Extended Calibration are exhibited, however, and a valid Extended Calibration is required to remove the message from the Extended Calibration menu.*

The remaining tests that run below the 7000-9000 level are executed when either a SELF CAL is performed or Self Diagnostics or Extended Diagnostics are run. (When run due to a SELF CAL, the system flags these appropriate tests as failed if a converging solution cannot be

found; when run due to performing Self Diagnostics or Extended Diagnostics, the system widens the limit values stored as calibration constants and tests if converging solutions could be found and a SELF CAL passed if it was run.) Failure of these tests causes the second level status to fail for the affected area and, if Self Diagnostics was run because of power on, the EXT DIAG menu is displayed indicating the failed status. The Extended Diagnostics can then be used to determine if the failed test is SELF CAL or EXT CAL related.

If the failure is not an EXT CAL related test(s), a hardware failure can still not be assumed unless SELF CAL is performed and a failure occurs in the same test or tests. Failure may only indicate that calibration is inaccurate for the current ambient temperature. This is because the tests are run somewhat differently when they are run as a result of running Self Diagnostics or Extended Diagnostics than when they are run as a result of running a SELF CAL, as was just mentioned.

When SELF CAL runs, the old values are modified and new values are calculated for the calibration constants; these new values are stored and then used to run the tests. One of the criteria for modifying these constants is ambient temperature.

When the tests are run due to Self Diagnostics or Extended Diagnostics, the old values are NOT modified. If the ambient temperature has changed sufficiently to affect calibration, the tests run may not be able to converge to the correct limits (even though they are wider than those of SELF CAL). This indicates that a SELF CAL should be done to move the calibration constant values to the new "in-calibration" limits to compensate for the present instrument conditions, whereupon the SELF DIAG test should pass. Failure to pass the SELF CAL procedure as outlined in Section 5 of this manual indicates a probable hardware failure and this instrument should be referred to qualified service personnel.

#### NOTE

*If power is lost while SELF CAL is running, the calibration constants are invalidated. Normally, invalidating the constants causes the instrument to do a COLD START to replace the invalidated constants with nominal values. If power interruption during SELF CAL causes the invalidation, however, the scope locks itself into the EXT DIAG menus and can only be exited by pressing the "up arrow" button. Pressing this button locks the scope into the CAL/DIAG menu, where the user must execute a SELF CAL. before the menu can be exited. Running the SELF CAL validates and preserves the calibration constants.*

## Special Diagnostics

The Special Diagnostic Features menu is accessed by

EXTENDED FUNCTIONS. The features in this menu are normally disabled to prevent operators (non-service personnel) from operating them, and, if the SPECIAL menu button is pressed, the message "DISABLED –SEE MANUAL" is displayed. If J156 (fig. FO-21, sheet 2) is removed, "WARNING: SERVICE ONLY–SEE MANUAL" is displayed in the SPECIAL menu and the menu is enabled to allow the features to be used for servicing the scope.

**COLD START.** COLD START eliminates all the previous calibration constants and restores them to known nominal values. A COLD START is especially useful for removing scrambled data from the NVRAM and is needed to permit a valid SELF CAL (and subsequent testing) to be performed if the data scrambled is the instrument's calibration constants. After a COLD START, a SELF CAL and the Attenuator, TRIGGER, and REPET EXT CAL must be performed to return the instrument to its previous state.

A COLD START can be initiated in three ways. One, J156 can be removed and the SPECIAL Diagnostics menu can be used to COLD START the scope as an aid in servicing it. Second, a COLD START is done upon power-up if the Battery Status circuitry fails, or if the NVRAM is replaced. Third, if the internal calibration constants are corrupted, the instrument fails test level 6100 and, the next time it's powered up and the Self Diagnostics are run, a COLD START is performed. (The only exception is when the instrument detects that an interruption of power during SELF CAL caused the constants to become corrupted – see NOTE under LEVEL 7000-9000 Tests earlier in this subsection.) The latter two COLD STARTS described here can occur whether J156 is installed or removed.

After a COLD START, the instrument displays the EXT DIAG menu, where the test level numbers, test names, and last status of the test results is displayed. If the test has not been run since the last "COLD START," no status will be displayed. If an upper level test in the set (such as REG) is run, all tests in the REG test hierarchy will be done and labeled with a PASS or FAIL status. Menu operation is covered in "Diagnostics Operation."

**FORCE DAC.** Pressing this menu button accesses a menu that lets service personnel vary selected adjustment constants to aid in troubleshooting certain internal circuits. It is especially useful for facilitating troubleshooting of the digital-to-analog converter circuitry and all the output sample-and-hold circuits of the DAC System. The routines in Table 6-6 indicate how this feature is used.



**CAL PATH ONIOFF.** When ON, the calibration signal path to the Peak Detectors is closed. If large offset errors have driven the display off-screen, switching CAL PATH ON eliminates the Attenuators and Preamplifiers from the input signal path and places the calibration reference level on the display. If that brings the display back on screen, the offset problem may be isolated to the Attenuators or Preamplifiers; if not, then the problem may be in the Peak Detectors or CCDS.

### Service Routines

The Service Routines are menu, GPIB interface, or jumper initiated routines for exercising the hardware, usually in a looping mode, that allow a service person to troubleshoot an internal fault using external testing and measuring equipment. Where possible, the Extended Diagnostics routines are used for looping to allow access to them from both the front-panel EXTENDED FUNCTIONS menu and the GPIB interface.

Jumper-initiated tests include Kernel Mode for the System Processor and the Waveform Processor, Waveform Processor Bus Control Mode, Bus Isolate Mode, System Microprocessor Chip Select test, Resets for the System Microprocessor and the Waveform Microprocessor, a Front Panel Microprocessor internal diagnostics test, and a Front Panel Multiplexer test. A description of these tests and how they are used is included in the Extended Diagnostics section of Table 6-6.

Troubleshooting routines (written by a system programmer) that systematically exercise specific firmware or hardware functions can be implemented via the GPIB interface. This type of external testing provides a tool for troubleshooting the scope that may be changed as needed by controller programming.

Use of the Service Routines provides service personnel with signals and procedures that enable fault isolation and restoration of an instrument to a functional level that is supported by the Extended Diagnostics and/or other routines.

## DIAGNOSTICS OPERATION VIA THE GPIB INTERFACE

Operation of any of the four Cal/Diagnostic modes is selected by using the key words SELFCal, EXTCal, SELFdiag, or EXT Diag as arguments with the TEST Type command via a GPIB controller. The selected TEST Type will start when the EXECUTE command is received.

### SELF CAL

If TESTType SELFCal is selected, the Self Calibration portion of the test sequence will run in its entirety when the EXECUTE command is received. A service request

(SRQ) will be issued when the sequence is finished if the OPC mask is on. The status byte received by the controller will indicate if the test completed either with error or with no error.

If an error occurs during SELFCal, it is reported to the controller when the ERR or? query is issued to the instrument. ERR or? returns a string of error numbers (up to nine) resulting from the last EXECUTE command. These numbers will be the highest order in the hierarchy of the SELF CAL routine; so, to locate the exact test that failed in the tree, the TESTNum must be set to a lower level and the ERR or? query reissued until the lowest detection level of the failure is reached. The ERR or? query returns 0 if no errors have occurred. This method of failure location is used for errors generated by any of the calibration or diagnostics sequences.

### EXT CAL

The EXTCAL TESTType allows specifying the calibration sequence (TESTNum) to be performed. The calibration routine specified may be any steps or sub-steps of the EXT CAL or SELF CAL routines. The user is responsible for assuring that any externally required test equipment has been connected and programmed and that pauses in the procedure to make manual adjustments or equipment changes are terminated via a menu button push or a GPIB STEP command to advance to the next step in the sequence. The external calibration sequence numbers to be used as the numerical argument for TESTNum are listed in Table 6-6. The valid test numbers for Calibration are 7000 to 9300 in the table. Error handling is the same as in SELFCal.

### SELF DIAG

When Self Diagnostics is called via the GPIB, completion and/or failure will cause an SRQ to be issued by the instrument. The status bytes returned on a poll indicate a successful completion or failure of the Self Diagnostics sequence. Errors can then be queried via the GPIB and traced to the lowest level of the Extended Diagnostics in the same manner as from the front-panel. Failure of Self Diagnostics when run from the GPIB does not put the instrument into the Extended Diagnostics menu as it does when run from the Front Panel.

### EXT DIAG

TESTType EXT Diag allows a specific TESTNum to be selected for execution upon receiving an EXECUTE command. Error handling and reporting is the same as in SELFCal. Looping a test is done by issuing the LOOP command prior to the EXECUTE command, and the HALT command stops the looping test.

## DIAGNOSTIC PROCEDURES

The various tests resident in the scope are organized into a tree structure with a test number designating each node. The root node is 0000. A summary of the way in which the tests are performed and the type of test made follows the test number and test name in Table 6-6.

### NOTE

*FAIL and PASS flags in the Extended Diagnostics menu show the results of the last test run. If a defective device that has previously caused a FAIL flag to be set is replaced, the test must be run again to obtain a PASS indication in the menu.*

These troubleshooting procedures are broken down into several types. The Troubleshooting Procedures of Table 6-6 provide a description of the tests made, and in many cases, the troubleshooting procedure used in case of a test failure. Other areas of the scope require more extensive troubleshooting trees. These areas are: the Low Voltage Power Supply, the Display System, and the System Clocks. Troubleshooting trees are located in the "Foldouts" section of this manual. Some of the troubleshooting procedures are very general in that they don't lead the troubleshooter directly to a specific faulty component or components. In those cases, it is up to the troubleshooter to analyze the information obtained from the tests made to determine the actual fault. Figure 6-6 is a flow chart that shows the initial troubleshooting steps as an aid in determining where to start.

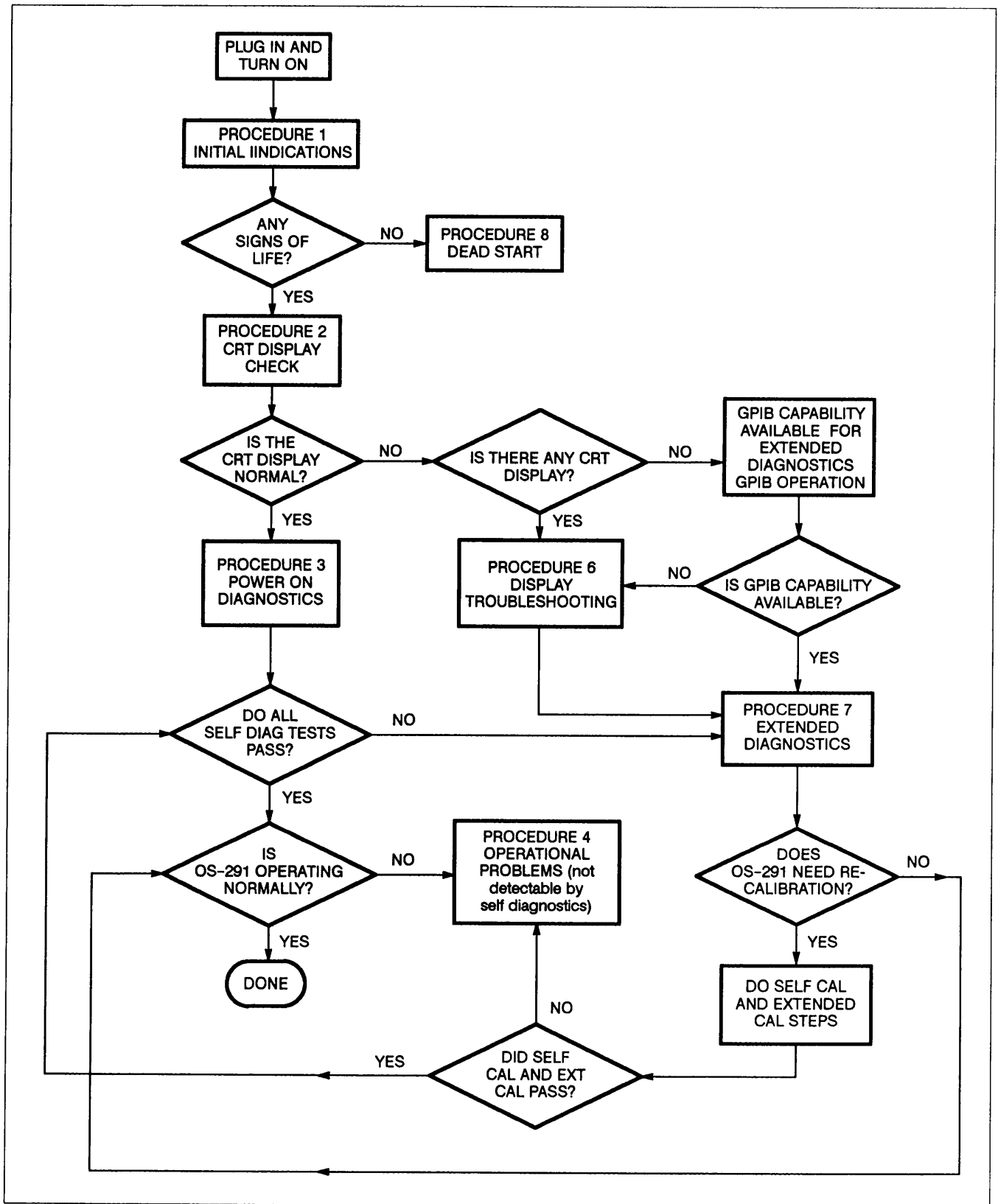


Figure 6-6. Initial Troubleshooting Chart.

**Table 6-6  
OS-291/G Troubleshooting Procedures**

<b>1. INITIAL INDICATIONS</b>	
<b>TESTS FOR LIFE</b>	<ol style="list-style-type: none"> <li>1. Are TRIGGER LEDs flashing? If all lights are flashing, suspect Waveform Processor ROM U480 or U490 (fig. FO-6, sheet 2) or their selects.</li> <li>2. Is there activity from GPIB LEDs during turn on? If the three LEDs above the CRT (LOCK, SRQ, and ADDR) all light then go through a binary counting pattern (test number 2170), the diagnostics are working, and the instrument is alive. Go to Procedure 2.</li> <li>3. After 30 seconds of turn-on, press MENU OFF and cycle the SLOPE switch. If the + and - Slope LEDs light alternately, the System Processor is alive, and the operating system is active. Go to Procedure 2.</li> <li>4. Did the attenuator relays click? If the relays clicked, the power-on self tests were running.</li> <li>5. If any of the signs-of-life occurred, then assume that there is some "life in the box" and go to Procedure 2; otherwise, go to Procedure 8.</li> </ol>
<b>2. CRT DISPLAY CHECK</b>	
	<ol style="list-style-type: none"> <li>1. If the menus are normal (can focus, adjust intensity, etc.), then go to Procedure 3.</li> <li>2. If there are no displays then go to Procedure 5.</li> <li>3. If there is a display, but the display is incorrect (no intensity control, out of focus, etc.), a dot only, a vertical or horizontal streak, then it is an analog problem. Go to Procedure 6.</li> <li>4. If portions of the readout are missing or wrapped over, but the power-on test runs, the front-panel controls and the EXT DIAG menus may still be useful. Attempt to use the diagnostics to determine the failed tests. Also, read the binary code of the first failed test that is flashed by the Trigger LEDs during the power-on sequence. Use that information as a starting point for troubleshooting, using the steps indicated for the failed test in Procedure 7, "EXTENDED DIAGNOSTICS." The most probable cause of a failure of this type is a bus problem or bad IC on a bus causing a stuck bit in Display circuitry of the Time Base/Display board (fig. FO-24 and FO-26). The busses to suspect are the ones connected to the IC indicated by the failed test.</li> </ol>
<b>3. POWER-ON DIAGNOSTICS</b>	
	<p><b>NOTE</b></p> <p><i>This is not selectable, it executes at power-on.</i></p> <ol style="list-style-type: none"> <li>1. If all the power-on tests pass, go to Procedure 4. If not, then go to Procedure 7.</li> </ol>
<b>4. OPERATIONAL PROBLEMS (not detectable by diagnostics)</b>	
<b>NO SIGNAL ACQUISITIONS</b>	<p>Phase Clock Array Outputs U470 (fig. FO-19) (A10 Main board)</p> <ol style="list-style-type: none"> <li>1. Check U470 (Phase Clock Array) (pins 13, 14, 15, and 16) for output clocks.</li> <li>2. If no outputs, the problem is probably U470 or the input circuit to U470 (pins 65 and 67); i.e., CR580 or C580.</li> <li>3. If U470 is replaced and outputs are obtained, do the following test: turn the OS-291/G to the setting 5 ns/div, REPET ON, NORMAL acquisition. Apply a 30 MHz sine-wave into CH 1. Watch the waveform as it is created on screen. Make sure no misplaced samples occur 20 ns after they should (this will be obvious by the appearance of spikes on the screen within about one minute). If this happens, replace Phase Clock Array again until the problem goes away.</li> <li>4. If the Phase Clock Array is working, the problem is in the Time Base. See the SYSTEM CLOCK TROUBLESHOOTING chart located in the "Foldouts" section of this manual.</li> </ol>

**Table 6-6**  
**OS-291/G Troubleshooting Procedures (cont)**

**4. OPERATIONAL PROBLEMS (not detectable by diagnostics) (cont)**

<p>TIMING ERROR AT 50 ms/div AND FASTER</p>	<p>Phase-Locked Loop Circuit (fig. FO-19)</p> <ol style="list-style-type: none"> <li>1. Check the 4 MHz input to U381 pin 6. If there is no 4 MHz clock at TP174 then go to the SYSTEM CLOCK TROUBLESHOOTING chart (located in the "Foldouts" section) and troubleshoot the System Clocks.</li> </ol> <p style="text-align: center;">NOTE</p> <p><i>Use the CURSOR function of 1TIME to measure the frequency. The cursor position difference will read out directly in frequency.</i></p> <ol style="list-style-type: none"> <li>2. Check U381 pin 9 for 4 MHz if SEC/DIV is 50 <math>\mu</math>s, and 5 MHz if SEC/DIV is 20 <math>\mu</math>s.</li> </ol> <p>Frequency too low at pin 9:</p> <ol style="list-style-type: none"> <li>a. Check that U381 pin 3 has negative pulses and that the voltage at U381 pin 12 is positive with respect to U381 pin 3. The VCO CTL voltage at TP581 can be as high as + 12 V.</li> </ol> <p>Frequency too high at pin 9:</p> <ol style="list-style-type: none"> <li>b. Check that U381 pin 12 is ramping negative with respect to U381 pin 3 (average not absolute) and TP581 can be as negative as -0.6 V.</li> <li>c. If these conditions are not true, the problem is probably Phase/Frequency Detector U381 or amplifier U580.</li> </ol>
<p>MISSING DATA POINTS IN REPET</p>	<p>Jitter Correction Circuit (fig. FO-18, FO-20, and FO-21)</p> <p>On the scope under test, select REPET acquisition mode, AUTO LEVEL, VERT trigger, DC Trigger COUPLING, and set the SEC/DIV setting to 5 ns. Then select ACQUIRE and connect a probe from the CH 1 input to TP345 (found above U450, the CH 1 CCD, on the A10 Main board).</p> <p>If there are bands of missing data points every two divisions, or only a few data points are placed every two divisions or the waveforms are distorted, the problem maybe in the Jitter Correction circuitry.</p> <p>The Jitter Correction circuit has both analog and digital circuits. First check the digital portion to insure that it is working. If that is ok, then assume that the problem is in the analog portion of the Jitter Correction circuit.</p> <p>However, if the Jitter Correction circuit is found to be working correctly and the waveforms are still distorted (specifically spikes), then the problem may be with the Phase Clock Array outputs U470. To check U470, see NO SIGNAL ACQUISITIONS previously discussed in this able.</p> <hr/> <p>Digital Section Troubleshooting:</p> <ol style="list-style-type: none"> <li>1. Check that START 1 and START 2 are present at U841 pin 2 and U842 pin 2 (fig. FO-21) respectively and that they are coincident.             <ol style="list-style-type: none"> <li>a. Test the collector of Q492 and Q391 (fig. FO-20) for the START pulses.</li> </ol> <p>If missing:</p> <ol style="list-style-type: none"> <li>b. Check for SLRMP1 and <math>\overline{\text{SLRMP}}</math> at the bases of Q492 and Q491.</li> <li>c. Check for SLRMP2 and <math>\overline{\text{SLRMP2}}</math> at the bases of Q391 and U390.</li> <li>d. Check for RAMP and <math>\overline{\text{RAMP}}</math> at the bases of Q392 and Q490.</li> </ol> <p>If any gating signals are absent, backtrack to U470 and/or U370 (fig. FO-19) and locate the defective component.</p> </li> </ol>

**Table 6-6**  
**OS-291/G Troubleshooting Procedures (cont)**

**4. OPERATIONAL PROBLEMS (not detectable by diagnostics) (cont)**

MISSING DATA POINTS IN REPET (cont)	<ol style="list-style-type: none"> <li>2. Check that STOP 1 and STOP 2 are present at U841 pin 12 and U842 pin 12. These signals are not coincident and should be jittering with respect to one another.  If missing, backtrack to U490 and/or U390 (fig. FO-20) to locate the defective component.</li> <li>3. While triggering on the START1 pulse, check for gated signal (by STOP1) at U852 pin 1. Check at U853 pin 1 for gated signal while triggering on the START2 pulse. If either gated signal is missing, check the gating components to locate the problem.</li> <li>4. While triggering on the START1 pulse, check for activity (fast to slow) at the Jitter Counter (U852 and U853) outputs (pins 3, 4, 5, 6, 11, 10, 9, and 8). Observe that each output pin on the ICs should be switching slower than the preceding one as the counters count down, Replace the counter if found defective.</li> <li>5. Check that the inputs to U752 are gated to the outputs of U752. The only time they are the same is if both pins 1 and 19 are low. If a WORD trigger probe is not available, the following setup may be used making use of the A and B Trigger Mode to obtain coincident triggering.   <table style="width: 100%; border: none;"> <tr> <td colspan="2">HORIZONTAL</td> </tr> <tr> <td style="padding-left: 20px;">A and B SEC/DIV</td> <td style="padding-left: 100px;">500 ns</td> </tr> <tr> <td style="padding-left: 20px;">MODE</td> <td style="padding-left: 100px;">B</td> </tr> <tr> <td colspan="2">VERTICAL</td> </tr> <tr> <td style="padding-left: 20px;">MODE</td> <td style="padding-left: 100px;">CH 1 and CH 2</td> </tr> <tr> <td style="padding-left: 20px;">COUPLING</td> <td style="padding-left: 100px;">DC</td> </tr> <tr> <td style="padding-left: 20px;">VOLTS/DIV</td> <td style="padding-left: 100px;">2 V</td> </tr> <tr> <td style="padding-left: 20px;">POSITION</td> <td style="padding-left: 100px;">Traces to graticule center</td> </tr> <tr> <td colspan="2">TRIGGER</td> </tr> <tr> <td style="padding-left: 20px;">A TRIGGER SOURCE</td> <td style="padding-left: 100px;">EXT1 A*B</td> </tr> <tr> <td style="padding-left: 20px;">A LEVEL</td> <td style="padding-left: 100px;">500 mV</td> </tr> <tr> <td style="padding-left: 20px;">SLOPE</td> <td style="padding-left: 100px;">- (minus)</td> </tr> <tr> <td style="padding-left: 20px;">MODE</td> <td style="padding-left: 100px;">NORMAL</td> </tr> <tr> <td style="padding-left: 20px;">B TRIGGER SOURCE</td> <td style="padding-left: 100px;">EXT2</td> </tr> <tr> <td style="padding-left: 20px;">MODE</td> <td style="padding-left: 100px;">TRIG AFTER; EXT CLK OFF</td> </tr> </table> <p>Now connect the EXT1 to U752 pin 1 and EXT2 to U752 pin 19. The input-output pairs may now be checked, and they should compare at the "T" of the trigger point.</p> </li> </ol>	HORIZONTAL		A and B SEC/DIV	500 ns	MODE	B	VERTICAL		MODE	CH 1 and CH 2	COUPLING	DC	VOLTS/DIV	2 V	POSITION	Traces to graticule center	TRIGGER		A TRIGGER SOURCE	EXT1 A*B	A LEVEL	500 mV	SLOPE	- (minus)	MODE	NORMAL	B TRIGGER SOURCE	EXT2	MODE	TRIG AFTER; EXT CLK OFF
HORIZONTAL																															
A and B SEC/DIV	500 ns																														
MODE	B																														
VERTICAL																															
MODE	CH 1 and CH 2																														
COUPLING	DC																														
VOLTS/DIV	2 V																														
POSITION	Traces to graticule center																														
TRIGGER																															
A TRIGGER SOURCE	EXT1 A*B																														
A LEVEL	500 mV																														
SLOPE	- (minus)																														
MODE	NORMAL																														
B TRIGGER SOURCE	EXT2																														
MODE	TRIG AFTER; EXT CLK OFF																														
	Analog Section Troubleshooting: <ol style="list-style-type: none"> <li>1. Connect a probe from CH 1 of the scope under test to test point TP345 on its A 10 Main board. Select REPET, set the scope under test to 5 ns/div and obtain a stable trigger.</li> <li>2. Set the test scope to 500 µs/div.</li> </ol> With the test scope: <ol style="list-style-type: none"> <li>3. Make sure that the signal at the collector of Q491 and Q390 stabilizes at about 800 mV. This is the baseline stabilization circuit. The waveforms shown adjacent to the schematic diagrams in the "Foldouts" section are useful to make waveform comparisons.</li> <li>4. Check for a fast ramp that corresponds to RAMP and <math>\overline{\text{RAMP}}</math> from U370. This ramp should rise from the stabilization level to a maximum and start down at the same time that the START1 (or START2) pulse steps high, and that the STOP1 (or STOP2) pulse steps high when the descending ramp crosses 0 V. If not, troubleshoot the circuitry to determine the problem. These ramps should be linear both in rise and fall times.</li> </ol>																														

Table 6-6  
OS-291/G Troubleshooting Procedures (cont)

4. OPERATIONAL PROBLEMS (not detectable by diagnostics) (cont)	
GPIB	<p>GPIB Test for Activity (fig. FO-29)</p> <ol style="list-style-type: none"> <li>1. Press the OUTPUT menu button, then SETUP, then MODE. Select L/ONLY and see if the ADDR LED is on. Select T/Land see if the ADDR LED is off. Select T/ONLY and see if the ADDR LED is on again.</li> <li>2. If the LEDs follow the above, GPIB IC U630 is at least responding to the System Processor, and the problem is probably in GPIB Bus Buffers U720 or U624.</li> <li>3. If the LEDs do not follow the above pattern, troubleshoot bidirectional buffer U532 or U630 (assuming the LEDs do the O through 7 binary count during REG test section of EXT DIAG).</li> </ol>
FRONT PANEL PROBLEMS	<p>Front Panel and Auxiliary Front Panel (fig. FO-10 and FO-13)</p> <p>If there is a Front Panel problem and the Extended Diagnostics have not detected anything, the problem is not in the Front Panel Processor or its handshake logic with the System Processor.</p> <p>On the Front Panel Microprocessor (U700), do the following checks:</p> <p style="text-align: center;"><b>NOTE</b></p> <p><i>When probing around the Front Panel Processor circuitry, it is possible to cause bad data to be written to the System Microprocessor and/or the Front Panel Microprocessor by inadvertent grounding of pins or accidental shorting of pins together. If this should occur, many trouble symptoms may be present. To cure these symptoms, turn off the OS-291/G and turn it back on again. This rewrites all RAM space in the System and Front Panel Microprocessors with correct operating data.</i></p> <ol style="list-style-type: none"> <li>1. Check pins 26,27,28,29,30, and 15 for active output signal switching. These signals are all asynchronous, so a stable display pattern is not possible (without going to SAVE mode on the test scope).</li> <li>2. If the signals checked in Step 1 are active, go to Step 3. If these signals are not actively switching, perform the Front Panel MUXTEST to check that the Processor drives the MUXSEL signal lines in a tight looping routine. In the MUXTEST, only the MUXSEL signal output lines are being driven. No output will be seen on the S/L or SHCLK lines (pins 29 and 30 respectively).</li> <li>3. Check pin 24 for active AOUT0 return signal from the Front Panel pots.</li> <li>4. If the return signal line is active, go to Step 5. If it is not active, showing the different voltage levels from the Front Panel pots, troubleshoot Front Panel Pot Scanner U902 (an 8-to-1 multiplexer). Problems with a single pot output rather than a total failure of the Pot Scanner may be checked out using the MUXTEST mentioned in Step 2.</li> <li>5. Check pin 25 for active return signal from the Front Panel Switches.</li> <li>6. If the SW/OUT signal line is active, the Switch Scanner circuitry is working. If it is not active, troubleshoot 1-of-8 decoder U903 and serial shift register U904 for correct operation.</li> <li>7. Check pin 22 (AOUT2) for an active return signal from the Auxiliary Front Panel INTENSITY pot and Front Panel BNC connectors. Individual signal voltage levels maybe checked using the Front Panel MUXTEST if the signal line is active. If switching levels are not present on the AOUT2 signal line, troubleshoot 8-to-1 multiplexer U600.</li> </ol>

Table 6-6  
OS-291/G Troubleshooting Procedures (cont)

4. OPERATIONAL PROBLEMS (not detectable by diagnostics) (cont)

FRONT PANEL PROBLEMS (cont)

8. Check pin 9 (SWOUTA) for an active signal when one of the Auxiliary Front Panel buttons is pressed (bezel, SELECT, STATUS, MENU OFF). Otherwise, a HI is being shifted out of serial shift register U700. If the SWOUTA signal does not show a square pulse when one of the buttons is pressed, troubleshoot U700.

Front Panel MUXTEST

An intermittent failure or noisy Front Panel pot can produce inconsistent control changes. To test individual pots for smooth operation and full range control limits, the Front Panel MUX SELECT test may be used to provide stable triggering.

1. Turn the power off and connect pins 2 and 3 of J 155 together.
2. Ground the MUXINH signal at the end of R815 nearest the front of the OS-291/G to DGND.
3. Connect the test scope to observe the AOUTO signal at R800 pin 8. Trigger the test scope on MUXSEL2 at R800 pin 4. Set the SEC/DIV switch to 100  $\mu$ s and the VOLTS/DIV to 2 V.
4. Power on the OS-291/G. When it does the power-on test, it will signal a test failure of 4300 on the Trigger LEDS, and there will be no display on the OS-291/G CRT.
5. Rotate the following rate position pots:  
CH 1 Vertical Position  
CH 2 Vertical Position  
Horizontal Position  
Cursor/Delay Position
6. Check that the pots go into the rate region at both extremes of rotation and that the voltage level for each pot moves smoothly from one amplitude level to the other (approximately 0.5 V to 5 V total range) as the pot is rotated. See the Mux Test waveform illustrations (fig. 6-7) to identify the portion of the waveform associated with the control being rotated.

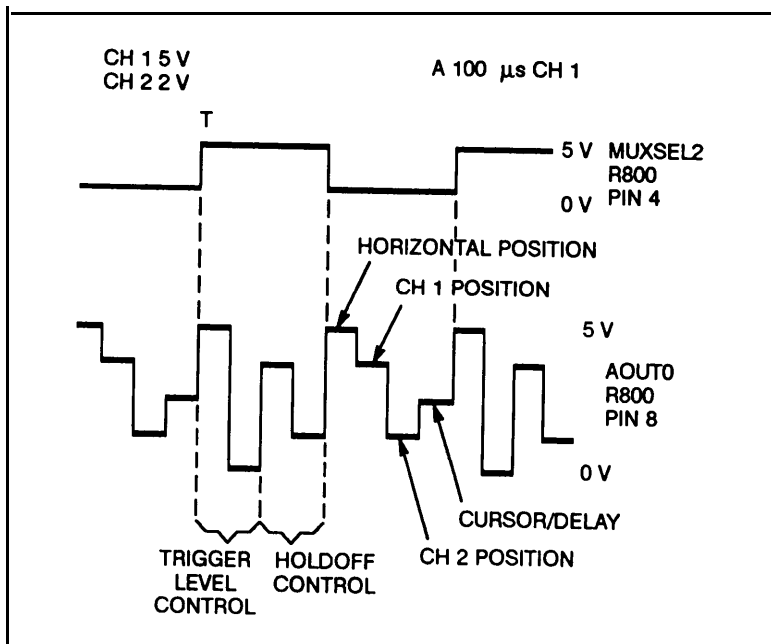


Figure 6-7. Mux Test waveforms.



**Table 6-6**  
**OS-291/G Troubleshooting Procedures (cont)**

---

**4. OPERATIONAL PROBLEMS (not detectable by diagnostics) (cont)**


---

FRONT PANEL PROBLEMS (cont)	<p>7. Rotate the following infinite rotation pots:</p> <p>Trigger Level Control Hold off Control</p> <p>8. Check that both sides of the pot have equal output range (approximately 0 V to 5 V) and that the voltage level for each side of each pot moves smoothly from one extreme to the other as the pot is rotated through the continuous range (not its end-switching region).</p> <p>9. Connect the test scope to observe the AOUT2 signal at R809. This signal is from the Auxiliary Front Panel circuitry.</p> <p>10. Momentarily short the shell of each of BNC input connectors to its coded-probe-switching ring and observe that the voltage level for that connector goes from 5 V to 0 V.</p> <p>11. Rotate the infinite INTENSITY pot and check for smooth voltage level changes on both sides of the pot (from approximately 0 V to 5 V).</p> <p>12. The two remaining analog levels are the CH 1 and CH 250 <math>\Omega</math> overloads. Check that they are approximately 3 V each.</p>
BELL PROBLEM	<p>Bell Circuit (fig. FO-29)</p> <p>Remove the word trigger probe, then:</p> <p>1. Connect a probe to the emitter of Q592. Then select the B TRIGGER SOURCE menu and press the BEZEL switch for WORD. The voltage should go close to + 4 V with about a 1 V p-p, 2 kHz square wave superimposed upon it (peak of 5 V).</p> <p>If the 4 V DC is not present, check the signal path back to U760 pin 16. If the 2 kHz is missing, check back to the oscillator circuit U274.</p>
CALIBRATOR PROBLEMS	<p>Calibrator (fig. FO-16 and FO-21)</p> <p align="center"><b>NOTE</b></p> <p><i>Make sure that you have not made the mistake of viewing the Calibrator signal output with a 10 M<math>\Omega</math> probe and have the channel in 50<math>\Omega</math> input termination.</i></p> <p>The calibrator circuit can be split into two parts. The source of the signal (CALCLK input at W122 pin 2) (fig. FO-21, sheet 2) and the analog output stage.</p> <p>1. Check for a 3 V square-wave signal at U831 B pin4 (fig. FO-21, sheet 2). If not present, the problem is in U831, U731, Q831, or one of the parts in that output amplifier circuit.</p> <p>a. Check: U831 pin 8 for a signal.</p> <p>b. Check U831 pin 2 for +2.4 V.</p> <p>c. Check U831 pin 1 for +5.1 V.</p> <p>d. Check base of Q831 is the same as the emitter of Q831.</p> <p>2. Check for a 3 V square wave at U680A pin 18 (fig. FO-16, sheet 2). If present, the problem is a defective cable connection from A11 to A13 boards.</p> <p>3. Check for a square-wave signal at U680A pin 2. If present, replace U680.</p> <p>4. Replace U670.</p>

---

**Table 6-6  
OS-291/G Troubleshooting Procedures (cont)**

<b>4. OPERATIONAL PROBLEMS (not detectable by diagnostics) (cont)</b>	
WORD TRIGGER	<p>Word Trigger (fig. FO-29)</p> <ol style="list-style-type: none"> <li>1. Make sure the Word Trigger probe connector is properly installed (connector is on the OS-291/G Rear Panel).</li> <li>2. Select TRIG POSITION to 1/8, SEC/DIV to 100 <math>\mu</math>s, and VOLTS/DIV to 2 V. Probe U754 pin 5 for clock pulses. If not present, verify U754 pin 1 (RESET) is HI and U754 pin 11 has clock pulses. Replace U754 if the signals at pins 1 and 11 are ok.</li> <li>3. Verify that the flex connector at the back of the A12 board is installed correctly. If ok, then the WORD RECOGNIZE probe is possibly defective. Try the probe on another OS-291/G to verify its operation.</li> </ol>
DAC SYSTEM FAILURE	<p>DAC System (fig. FO-12 and FO-13)</p> <p>Symptoms are CCD and Peak Detectors gain fails SELF CAL, and Trig Level fails SELF CAL.</p> <ol style="list-style-type: none"> <li>1. Check TP650 (fig. FO-12, sheet 2) on the A10 Main board for 0 V.</li> <li>2. Check TP660 (fig. FO-12, sheet 2) on the A10 Main board for + 1.25 V.</li> <li>3. If the test point voltages are good, the DAC SYSTEM is operating normally to this point. Troubleshoot the DAC multiplexer (U831, U821, and U830) (fig. FO-13) and the individual DAC output ports (fig. FO-12).</li> <li>4. If the levels at TP650 and TP660 are bad, check DAC multiplexer U651, the DAC Inputs (U860 pins 1 through 12), and current-to-voltage converter U661 (fig. FO-12, sheets 1 and 2). U661 should have an output of 32 DC levels, switching from one to the next each 2 ms, and then repeating. The maximum output level is <math>\pm 1.36</math> V. This output signal should be present at the input to each of the DAC multiplexer (pin 3), and each multiplexer output pin should have a steady DC voltage level present.</li> <li>5. Check that only one DAC MUX enable at a time from U272 is LO.</li> <li>6. Use the Force DAC Test to check suspected output ports for correct control range.</li> </ol> <hr/> <p>Force DAC Test:</p> <ol style="list-style-type: none"> <li>1. Press the SPECIAL menu choice under Extended Functions and then press FORCE DAC.</li> </ol> <p align="center"><b>NOTE</b></p> <p><i>The SPECIAL menu choices are normally disabled to the user and press of the SPECIAL menu button calls up the display "DISABLED – SEE MANUAL". To enable the choices for servicing, the cabinet must be removed and Jumper J156 (EXT CAL DIS on fig. FO-21) must be removed.</i></p> <ol style="list-style-type: none"> <li>2. The first and second bezel buttons are used to select through the DAC values to be tested. The INTENSITY control sets the values.</li> <li>3. Test suspected DAC circuits for correct voltage limits over the control range using the test points and values given in the following Force DAC Ranges table.</li> </ol>

Table 6-6  
OS-291/G Troubleshooting Procedures (cont)

## Force DAC Ranges

DAC Output	DAC Ampl Output	COLD START DAC VALUES	Voltage Range		Effect of Increasing Value
			0	4095	
CH1Bal CH2Bal	U641-7 U641-1	2048/0 V	-1.37 V	1.36 V	Trace shifts down
CH1Gain CH2Gain	U641-8 U641-14	668/-4.37 V	-6.48 V	1.58 V	Gain decreases
1POS <sup>1</sup> 2POS <sup>1</sup>	U630-1 U630-14	2048/5 V <sup>1</sup>	-4.35 V	-5.66 V	Trace moves up
PD11 PD13 PD21 PD23	U631-1 U681-7 U640-7 U640-8	2048/0 V	-1.37 V	1.36 V	Offset goes up Offset goes down Offset goes up Offset goes down
CT11 CT21	U840-1 U840-8	2048/0 V	4.06 V	10.89 V	3 side goes up 1 side goes down
CM11 CM13 CM21 CM23	U841-1 U841-7 U841-8 U841-14	1500/-0.37 V	-1.35 V	1.35 V	
OD11 OD13 OD21 OD23	U840-7 U840-14 U661-14 U631-14	2200/10.29 V	5.88 V	14.07 V	Gain increases
JIT1 JIT2	U661-1 U661-7	3841/-2.54 V	-7.69 V	-2.23 V	Fast Ramp Slope increases for more counts per sec
ALVL BLVL	U640-1 U640-14	2176/0.09 V	-1.37 V	-1.36 V	Triggers at lower point
GRAT	U520-10 U820-1	4095/14.66 V 4095/-3.34 V	0.83 V <sup>2</sup> 4.20 V	14.66 V -3.35 V	Decrease Grat intensity
INTN NORM RDOI	U820-8 U820-7 U820-14	3160/0.78 V 1640/-0.28 V 2050/0 V	-1.37 V	1.36 V	Increases intensity
CURS (CAL)	U610-3 U610-4 U610-6 U610-13 U610-15	2048/0 V	-1.37 V ~0 V ~0 V ~0 V ~0 V	1.36 V ~0 V ~0 V ~0 V ~0 V	Current output into 75 Ω loads
HORF	U631-8	100/-3.90 V	-4.11 V	4.09 V	Increases holdoff
DACO DACG	U650-6 U660-6	2048/0 V 3929/-0.21 V	13.92 V 14.02 V	-13.15 V -13.32 V -5.18 V <sup>3</sup>	Unbalances DAC Uncalibrates DAC

<sup>1</sup>DAC values for CH 1 and CH 2 POS need an acquisition after the COLD START to be rewritten. Turn off EXT DIAG menu and press acquire; then go to FORCE DAC.

<sup>2</sup>Limits at a DAC count of approximately 2000.

<sup>3</sup>DACG (DAC gain) is interactive with DACO (DAC offset), and the DACG range can be limited if DACO is not centered. Changing either DACG or DACO will cause the remaining DAC System outputs to be invalid until the correct settings for DAC gain and offset are rewritten into the DAC System.

**Table 6-6  
OS-291/G Troubleshooting Procedures (cont)**

<b>4. OPERATIONAL PROBLEMS (not detectable by diagnostics) (cont)</b>																					
<p><b>HOLDOFF PROBLEMS</b></p>	<p>Trigger Holdoff Circuitry (fig. FO-21 )</p> <p>Run Extended Diagnostic test 2600 for the SIDE-BOARD registers U761 and U762. If that fails, troubleshoot the indicated failure.</p> <p>If not, troubleshoot the Trigger Holdoff circuitry.</p> <ol style="list-style-type: none"> <li>Check the emitter voltages for logical Hi/LO as follows: <table border="1" style="margin-left: 40px;"> <thead> <tr> <th><b>SEC/DIV</b></th> <th><b>Q761</b></th> <th><b>Q71</b></th> <th><b>Q772</b></th> <th><b>Q783</b></th> </tr> </thead> <tbody> <tr> <td>500 ns</td> <td>HI</td> <td>LO</td> <td>LO</td> <td>-15V</td> </tr> <tr> <td>1 μs</td> <td>LO</td> <td>HI</td> <td>LO</td> <td>-15V</td> </tr> <tr> <td>10 μs</td> <td>LO</td> <td>LO</td> <td>HI</td> <td>+5V</td> </tr> </tbody> </table> <p>If these levels are not correct, suspect the corresponding emitter diode, or the transistor emitter-base junctions as being defective. Observe that Q783 has no emitter diode, so suspect the transistor itself or Q782.</p> <p>Some triggering failures are an indication of possible problems with the ATHO (A trigger holdoff signal). If ATHO is stuck HI, no triggers will be permitted by A/B Trigger Logic Array U150; if stuck LO, the triggering will be unstable.</p> </li> <li>Check the signals around flip-flop U872 for proper action of that device (see the test waveforms illustrations associated with the circuit adjacent to fig. FO-21). <p>Test scope: Select ENVELOPE 1 and AUTO TRIGGER MODE. Scope under test: Select 5 ns/div, trigger on the CAL signal, and set HOLDOFF to minimum.</p> </li> </ol>	<b>SEC/DIV</b>	<b>Q761</b>	<b>Q71</b>	<b>Q772</b>	<b>Q783</b>	500 ns	HI	LO	LO	-15V	1 μs	LO	HI	LO	-15V	10 μs	LO	LO	HI	+5V
<b>SEC/DIV</b>	<b>Q761</b>	<b>Q71</b>	<b>Q772</b>	<b>Q783</b>																	
500 ns	HI	LO	LO	-15V																	
1 μs	LO	HI	LO	-15V																	
10 μs	LO	LO	HI	+5V																	
<p><b>SEQUENCER OUTPUT PROBLEMS</b></p>	<p>Sequencer Output circuitry (fig. FO-29)</p> <p>SEQUENCE OUT doesn't switch LO at the end of a sequence or back HI when the sequence is exited after completion:</p> <ol style="list-style-type: none"> <li>Create a sequence with one step and no PAUSE. The Front Panel setup is arbitrary for the step (see Operators and Unit Maintenance Manual for operating the Sequencer).</li> <li>RECALL the sequence. Check that Q104's collector is HI before the sequence is recalled, switches LO at the end of a sequence, and switches back HI when the sequence is exited (see Operators and Unit Maintenance Manual for operating the Sequencer).</li> </ol> <p>If the collector of Q104 switches properly, the problem is an open component in the R104-J125/P125-Flex Cable-J 1903 path.</p> <ol style="list-style-type: none"> <li>If collector doesn't switch, either the transistor, its collector supply, or its base drive is bad (CR104 may also be shorted). Isolate base drive to Q104 via R300 to determine whether drive or output circuitry is bad. The driving signal comes from I/O register block of fig. FO-5.</li> </ol> <p>STEP OUT doesn't switch LO at the end of a sequence step or back HI at the start of the next sequence step:</p> <ol style="list-style-type: none"> <li>Create a sequence containing at least two steps. The front panel setup is arbitrary for both steps, but set PAUSE on in the ACTIONS menu associated with the first step (see Operators and Unit Maintenance Manual for operating the Sequencer).</li> <li>Check that Q107's collector switches LO at the end of a step (should stay LO at end of PAUSE'd step 1) and back HI when the sequence is restarted (push PRGM).</li> </ol>																				

**Table 6-6**  
**OS-291/G Troubleshooting Procedures (cont)**

<b>4. OPERATIONAL PROBLEMS (not detectable by diagnostics) (cont)</b>	
SEQUENCER OUTPUT PROBLEMS (cont)	<p>If the collector switches properly, the problem is an open component in the R107-J125/P125-Flex Cable-J1904 path.</p> <p>3. If collector doesn't switch, either the transistor, its collector supply, or its base drive is bad (CR107 may also be shorted). Isolate base drive to Q107 via R108 to determine whether the drive or output circuitry is bad.</p> <p>The drive signal comes from I/O register block of fig. FO-5.</p>
<b>5. GPIB CAPABILITY AVAILABLE FOR EXTENDED DIAGNOSTICS</b>	
	<p>Extended Diagnostics test may be run via the GPIB interface to track down failed devices when the Front Panel is locked up due to a front-panel failure or when there is no display visible. The importance of this is that the initial step of locating all problem areas is simplified when the OS-291/G can do it itself.</p> <ol style="list-style-type: none"> <li>1. If the hardware and software are available to interface a OS-291/G to a GPIB controller, then run the Extended Diagnostics test. Troubleshoot any failed diagnostics test as indicated in Procedure 7 of this table.</li> <li>2. If GPIB interface is not available, go to Procedure 6 to troubleshoot the display problem.</li> </ol>
<b>6. DISPLAY TROUBLESHOOTING</b>	
INTENSITY	<p>No Intensity (HV Supply and CRT, fig. FO-28)</p> <p>If there is no GPIB capability, troubleshooting is going to be more difficult if no display is available. The steps in this table address the analog problems not detectable by the Extended Diagnostics in any case. Digital failures of the Display System are covered in the troubleshooting tables in the "Foldouts" section at the back of this manual.</p> <ol style="list-style-type: none"> <li>1. Press STATUS to set READOUT level.</li> </ol> <div style="text-align: center; border: 1px solid black; padding: 2px; width: fit-content; margin: 10px auto;"><b>WARNING</b></div> <p><i>A High Voltage probe is required to measure the grid, cathode, and anode voltage of the CRT.</i></p> <ol style="list-style-type: none"> <li>2. If no display is present, check the CRT intensity grid voltage (V1000 pin 3), the grid bias adjust, the CRT cathode and heater circuits, and the CRT anode HV.</li> <li>3. If no voltages are present, troubleshoot the HV power supply. The -15 V Unreg supply is fused by F961 (fig. FO-32, sheet 2) which will be open if a component failure in the HV power supply caused excessive loading.</li> <li>4. If CRT voltages are good, and still no intensity, turn off the OS-291/G and check the CRT heater for continuity from pins 1 to 14 (fig. FO-28). If open, change the CRT.</li> <li>5. Does intensity vary with the Grid Bias Adjust? If not, troubleshoot the DC Restorer circuit. If it does, check the signal from U227 at pin 13 (fig. FO-19, sheet 2).</li> <li>6. Check input to U227 (<math>\overline{ZON}</math>, pin 3), If input ok, check supply voltages to U227. If all ok, change U227.</li> <li>7. If <math>\overline{ZON}</math> not present, troubleshoot the Z-Axis Logic circuitry, U223C and input gates and signals (fig. FO-25, sheet 2).</li> <li>8. If all ok in the CRT and Z-Axis circuitry, go to the "NO DISPLAY" tree located on the DISPLAY TROUBLESHOOTING foldout in the "Foldouts" section of this manual. Also, check that the Power-on Self Test completes without hanging. (See "SYSTEM MICROPROCESSOR HALTS IN POWER-UP TEST" following "No Intensity Control" of this Procedure.)</li> </ol>

**Table 6-6**  
**OS-291/G Troubleshooting Procedures (cont)**

**6. DISPLAY TROUBLESHOOTING**

INTENSITY (cont)	<p>No Intensity Control:</p> <ol style="list-style-type: none"> <li>1. Check signal output of U227 at pin 13. Is the waveform correct (see waveform 145 on fig. FO-28, sheet 2), and does its amplitude vary with the DISP INTENSITY control? If yes, then check the signal path components to the junction of CR442 and R546 for continuity.</li> <li>2. If the signal at U227 pin 13 does not vary with the DISP INTENSITY control, check CR135 for open or short.</li> <li>3. Check the <math>\overline{ZINT}</math> signal on pin 2 of U227. Does it vary correctly with the DISP INTENSITY control? If yes, suspect U227. If no, then use the Force DAC Test (see "DAC SYSTEM FAILURE" in Procedure 4 of this table) to verify the INTENSITY pot and the DAC SYSTEM.</li> <li>4. If the INTENSITY pot changes the DAC settings in the Force DAC Test, the pot and pot-scanning circuitry are ok; if not, troubleshoot the Front Panel.</li> <li>5. Check the suspected DAC outputs at the points indicated in the Force DAC Test table (Force DAC Ranges). If DAC outputs are ok, troubleshoot Intensity multiplexer U811 (fig. FO-13, sheet 2) and its select signals, and the Z-axis signal amplifiers (U810 and U812). Troubleshoot DAC circuit if the DAC outputs are bad (see the "DAC SYSTEM FAILURE" troubleshooting in Procedure 4 of this table).</li> <li>6. Check the DISDN signal at U414A pin 6 and the PRESTART + DISPLAY signal at U323A pin 3 for correct operation (fig. FO-25, sheet 1). If not correct, troubleshoot the Readout State Machine (see the "NO DISPLAY" tree located on the DISPLAY TROUBLESHOOTING foldout in the "Foldouts" section).</li> </ol>
SYSTEM MICRO-PROCESSOR HALTS IN POWER-UPTTEST	<p>Test 3000 –TRIG and READY LEDs on or Test 6000 – READY and ARM LEDs on, and the OS-291/G Self Test has halted.</p> <p>Problem is probably in the Display State Machine circuitry (fig. FO-25) or the DISDN signal path to the System Processor Interrupt circuit.</p> <ol style="list-style-type: none"> <li>1. Check that the DISDN signal is correct at U414 pin 6 (waveform illustration 126 on fig. FO-25); if not, troubleshoot the Display State Machine (see the "NO DISPLAY" tree located on the DISPLAY TROUBLESHOOTING foldout in the "Foldouts" section for typical Display State Machine waveforms).</li> <li>2. If the DISDN signal is ok, check the DISDN signal path to U580B pin 4 (fig. FO-5, sheet 2) for continuity.</li> </ol> <p>Test 8000 – plus ( + ) LED on and Self Test has halted and "Running Self Test" message is displayed, but nothing else is occurring:</p> <ol style="list-style-type: none"> <li>1. Check the ACQDN signal at U670 pin 25 (fig. FO-16) (Time Base Controller).</li> </ol> <p>Test 8000–plus ( + ) LED on and Self Test has halted and no display is seen:</p> <ol style="list-style-type: none"> <li>1. Check operation of the Readout State Machine (fig. FO-25).</li> </ol>

Table 6-6  
OS-291/G Troubleshooting Procedures (cont)

6. DISPLAY TROUBLESHOOTING

FOCUS

If all the focus voltages and adjustments are correct in the following checks and proper focusing cannot be attained, suspect a defective CRT. Check all the CRT voltages and EXT CAL Display ADJUSTS for the CRT to verify their accuracy before changing a suspected CRT.

No Focus at Any Intensity:

1. Check the ASTIG adjustment (fig. FO-28).
2. Check junction of R262 and R145 for a voltage swing of 0 to 15 V as the FOCUS control is adjusted from one extreme to the other. If not correct, troubleshoot potentiometer, connectors between the potentiometer and the junction, and the + 15 V supply to the FOCUS potentiometer.
3. Check at the collector of Q152 for a voltage swing of -175 V to -115 V as the FOCUS potentiometer is adjusted from one extreme to the other.
4. Check for -300 V at the junction of R248 and R247. If not correct, check CR611, CR610, C618 and the 150 V PK AC supply at the junction of C618 and C640.

**WARNING**

*A HV probe is required for the following step.*

5. Check the CRT's intensity grid, cathode, and anode voltages for correct levels. If not correct, troubleshoot faulty circuit.

Poor Focus at High Intensity:

1. Check the HIGH DRIVE FOCUS adjustment (R400).
2. Check the wiper of R400 for a varying voltage as the DISP INTENSITY control is increased to high intensity levels. If not correct, check Q500, CR500 and VR316 for shorts or opens.
3. If the output of R400 tracks the display intensity changes, check R395, R297, C295, and P174.

Poor Edge Focus:

1. Check the EDGE FOCUS adjustment.
2. Check the collector of Q269 for a voltage swing of -131.8 V to -111.8 V as the EDGE FOCUS pot is adjusted from one extreme to the other. Check the wiper of R300 for a voltage swing of 0 V to +50 V as the pot is adjusted from one extreme to the other. If not correct, check the pot and the +61 V supply.

DEFLECTION PROBLEM

Display Output (fig. FO-26)

Vertical Deflection Bad (Horizontal stripe only) or Horizontal Deflection Bad (Vertical stripe only).

1. Press PRGM and then press the fifth menu selection button to do a PANEL INIT.
2. Connect the CALIBRATOR output signal to the CH 1 BNC using one of the supplied 10X coded probes. Set the OS-291/G VOLTS/DIV setting to 200 mV. Press SAVE on the OS-291/G, then MENU OFF.
3. Trigger the test scope on the  $\overline{ZON}$  signal at U223C pin 8 (fig. FO-25, sheet 2). Set the test scope Trigger Coupling to HF Reject and Slope to - (minus).

**Table 6-6  
OS-291/G Troubleshooting Procedures (cont)**

**6. DISPLAY TROUBLESHOOTING**

DEFLECTION PROBLEM (cont)	<p>4. Use the test scope to compare the circuit signals at the points indicated in the schematic diagram on fig. FO-26, sheets 1 and 2, to the corresponding waveform illustrations located adjacent to the foldout. (The HOLDOFF control will be of some use in obtaining a stable display if using an analog scope. If using a OS-291/G as the test scope, press SAVE to obtain a stable display, if necessary, for viewing.)</p> <p>5. Troubleshoot as necessary if incorrect waveforms are found. If none of the waveforms are correct, problem is either U 170 or bad input from the Vertical Display DAC, (U142) for bad vertical deflection. For bad horizontal deflection, problem is either U370B or bad input from the Horizontal Display DAC, U250. If bad input signals, troubleshoot the Display and Attributes Memory and Display DACS (fig. FO-24). Seethe "Distorted Display" tree located on the DISPLAY TROUBLESHOOTING foldout in the "Foldouts" section.</p> <p>6. If the waveform at U 170 pin 6 is correct (or U370B pin 7 for the horizontal signal), but not correct at the integrator output, check that the sample switch (U270B) is getting the SAMPLE drive signal. Troubleshoot the Vertical or Horizontal vector generator circuitry.</p> <p>7. Is display switching correctly for dots, envelope, vector, and readout displays? If not, check multiplexer U290 and select signals (AMP0 and AMP1).</p>
------------------------------	---

**7. EXTENDED DIAGNOSTICS**

	If unfamiliar with the use or operation of the extended diagnostics routines of this scope, the calibration and diagnostics and information supplied in the "INTERNAL DIAGNOSTICS AND CALIBRATION ROUTINES" subsection of this section may prove very useful.
0000 EXTENDED DIAGNOSTICS	Running extended diagnostics at this level runs all tests. It is equivalent to SELF DIAG in the CAL/DIAG menu. A failed testis indicated by a FAIL label in the main Extended Diagnostics menu. Go to the lower testing levels of a failed test to isolate the failure.
1000 SYS-ROM	<p>System ROM U670, U680, U682, U690, and U692 (fig. FO-5)</p> <p>Testing Method:</p> <p>Run from this level, all ROM tests are selected in turn, or an individual test numbers 1100-1500 may be selected and run.</p> <p>These tests compute the cyclic redundant word for the contents of the ROM. The resulting value is compared to the stored value of the first word of the ROM (the previously computed CRCC). A correct match indicates a good ROM.</p> <p>If marked FAIL in the main Extended Diagnostic menu, go to the next level and run the test to determine the failed ROM or ROMs.</p> <p>TEST NUMBER 1100: Test number 1 100 tests U670, a 16 KX8 ROM that contains the scope operating system. There are no sublevel tests for test number 1100.</p> <p>TEST NUMBER 1200-1500: Test numbers 1200 -1500 test the remaining four 64 K x 8 ROMs comprising the remainder of the System ROM memory, with numbers 1200, 1300, 1400, and 1500 testing U680 (ROM0.0), U682 (ROM0.1), U690 (ROM0.2), and U692 (ROM0.3), respectively. There are four sublevels to each test 1200-1500. This is because each ROM device is divided into four pages (16 Kbytes each) with each pages selectable by 2 address-page bits. Each sublevel test (1210-1240, 1310-1340, etc.) tests one of the four pages for a device.</p> <p>For tests 1200-1500, the sublevel test number and the numerical suffix in the test label indicate the page and ROM device the test is run on. For instance, the sublevel test "1320 ROM0.1 -5" is run on page 5 of 16 possible pages, where page 5 is part of ROM0.1 (U682).</p>



**Table 6-6**  
**OS-291/G Troubleshooting Procedures (cont)**

### 7. EXTENDED DIAGNOSTICS (cont)

1000 SYS-ROM (cont)	<p>The System Processor drives the System Address Decode circuitry to select the device and page from the System ROM. U890B provide the ROM0.0-3 chip select signals for selecting the ROM device accessed, and, if the ROM selected is one of the four paged ROMs, U860 supplies the page-selecting address bits, PAGE- BIT2 and PAGE-BIT3. Using test 1320 again as an example, U890B sets ROM0.0 LO to select ROM0.1 (U682), and U860 sets Page Bits 3 and 2 to LO (0) and HI (1), respectively, to select the second address page within the ROM device (the second page of that device is the 5th page of the 16 pages available for System ROM).</p> <p align="center"><b>NOTE</b></p> <p><i>The page number associated with the sublevel test labels are based on viewing the 16-page memory as having the following sequence: the first four pages (pages 0-3) are located in the first four 16 kbyte address spaces of ROM0.0-ROM0.3, respectively; the second four pages (4-7) in the second four 16 kbyte address spaces, respectively; etc. That is why, in the previous example, the label for test level 1320 is "ROM0. 1-5" where '-5' indicates the fifth page. Page 5 is the fifth page for the entire paged-System ROM; it is the second page (or 16 kbyte memory space) for U682.</i></p>
	<p>Troubleshooting Procedure:</p> <ol style="list-style-type: none"> <li>1. A failed ROM test indicates a defective ROM. Check that the correct ROMs are installed in the correct sockets.</li> </ol> <p>Check out the supply voltages and the chip select to a failed ROM to verify them.</p> <ol style="list-style-type: none"> <li>2. A failure of most or all paged ROM indicates a paging chip select problem. The last condition is probably not detectable as the System Microprocessor is unable to obtain its operating instructions from the ROM. The System Microprocessor Kernel test (given in Procedure 8) maybe used to check that the microprocessor is operating and to check the chip-select addressing circuitry for correct operation.</li> </ol>
1100ROM1	Base page ROM, A12U670
1210 ROM0.O-	1st quarter of A12U680 (page 0)
1220 ROM0.0-4	2nd quarter of A1 2U680 (page 4)
1230 ROM0.O-8	3rd quarter of A12U680 (page 8)
1240 ROM0.0-C	4th quarter of A12U680 (page C)
1310 ROM0.1-1	1st quarter of A12U682 (page 1)
1310 ROM0.1-5	2nd quarter of A12U682 (page 5)
1310 ROM0.1-9	3rd quarter of A12U682 (page 9)
1310 ROM0.1-D	4th quarter of A12U682 (page D)
1410 ROM0.2-2	1st quarter of A12U690 (page 2)
1410 ROM0.2-6	2nd quarter of A12U690 (page 6)
1410 ROM0.2-A	3rd quarter of A12U690 (page A)
1410 ROM0.2-E	4th quarter of A12U690 (page E)
1510 ROM0.3-3	1st quarter of A12U692 (page 3)
1510 ROM0.3-7	2nd quarter of 12U692 (page 7)
1510 ROM0.3-B	3rd quarter of A12U692 (page B) * Not used
1510 ROM0.3-F	4th quarter of A12U692 (page F) * Not used

**Table 6-6  
OS-291/G Troubleshooting Procedures (cont)**

<b>7. EXTENDED DIAGNOSTICS (cont)</b>	
2000 REG	<p>Registers Testing</p> <p>Testing Method:</p> <p>From this level, all register tests are selected in turn. Individual tests maybe executed by selecting test numbers 2100 through 2600. If marked FAIL in the main Extended Diagnostics menu, move the cursor to the 2000 level test and rerun to find next lower failure level in the Registers tests.</p> <p>All register names have the convention of assuming the name given to the schematic-designated chip-select line for that register (i.e., MISC is the name of the chip select on the time base/display board to registers U532 and U540).</p> <p>The register tests are organized by circuit board. Where possible, a set of four bit patterns have been used. The register tests have the capability of testing for stuck bits (both high and low) for each data line as well as testing each data line for interconnecting shorts to other data lines.</p> <p>If all bit patterns of a test fail, check for a defective chip select, a defective IC in the chip-select path, or possibly the part under test is defective. If at least one bit pattern passes, use the “which bit changed” method of isolating which bit(s) have the problem.</p>
2100 PROCESSOR	<p>System Microprocessor Register Tests – A12 Processor circuit board</p> <p>Testing Method:</p> <p>The processor board has nine register tests. These are organized from the System Microprocessor outward for increasing confidence. One should always check multiple failures from top to bottom, investigating each in turn.</p>
2110 DIAGO	<p>Page Control Register (PCREG) U860 (fig. FO-55)</p> <p>Testing Method:</p> <p>Sets PCREG (bit D7) = 0 and tests for = 0 (stuck at one). Sets PCREG (bit D7) = 1 and tests for = 1 (stuck at zero). If both tests pass, the result flag is set to PASS; otherwise, it is set to FAIL.</p> <p>If test = FAIL then look for failure using the following steps:</p> <ol style="list-style-type: none"> <li>1. On the test scope, connect CH 1 to J125 pin 15. Select Slope, + (plus); Trigger Source, CH 1; Trigger Level, 1 V; CH 1 and CH 2 input coupling, DC; CH 1 and CH 2 VOLTS/DIV, 2 V. This step provides a positive, TTL-level trigger strobe (or pulse) for validation of the signal being tested while a test is running. The test scope setup will be used in each of the Registers troubleshooting procedures.</li> </ol> <p>Now using CH 2 probe:</p> <ol style="list-style-type: none"> <li>2. Run test 2110 in CONTINUOUS mode and check forelock activity at U860 pin 11 (clocks on LO-to-Hi transition close to the end of the trigger strobe pulse); if not, troubleshoot its clocking circuitry (U884, U862, and U866).</li> <li>3. Check that U860 pin 19 clocks from LO-to-Hi and remains HI after the trigger strobe pulse returns to LO. If not, replace U860.</li> <li>4. Test for a chip select at U854 pins 1 and 19 (LO enables). If not correct, troubleshoot System Address Decode circuitry (U884, U862, and U866).</li> <li>5. While selected, check that U854 pin 11 is set to the state of U860 pin 19. If DIAGO failed and the chip selects to U854 and the signal to U854 pin 11 are ok; then U854 is probably defective.</li> </ol>

**Table 6-6**  
**OS-291/G Troubleshooting Procedures (cont)**

<b>7. EXTENDED DIAGNOSTICS (cont)</b>	
2120 DCOK U654	<p>interrupt Register U654 (fig. FO-5, sheet 2) and DCOK logic circuitry U395 and associated components (fig. FO-32)</p> <p>Testing Method:</p> <p>The power supply sends a TTL signal to the interrupt register to inform the System Microprocessor of the logic AND of the power supply voltages. DCOK tests INTREG (bit 7). if = 1, the test result = PASS; otherwise, the result = FAIL.</p> <hr/> <p>Troubleshooting Procedure:</p> <p>if test = FAIL then look for failure using the following steps:</p> <ol style="list-style-type: none"> <li>1. Setup the test scope as per Step 1 of the 2110 troubleshooting procedure.</li> </ol> <p>Now using CH 2 probe:</p> <ol style="list-style-type: none"> <li>2. Run test 2120 in Continuous MODE and check for <math>\overline{\text{INTREG}}</math> chip select on pins 1 and 19 of interrupt Register U654. if not present, troubleshoot the System Address Decode circuitry (U884, U862, U866A, U870B, and associated components) for proper inputs and outputs.</li> <li>3. While the test is running, test U654 pin 17 for steady-state HI value. If HI and DCOK fails, then replace U654. if LO, then check the power supply voltages and the DCOK AND circuit. if supply voltages are not correct, troubleshoot the low-voltage power supply and regulators; if voltages are correct, troubleshoot A16U395 and associated components (fig. FO-32).</li> </ol>
2130 BUSTAKE	<p>Page Control Register U860 (fig. FO-5, sheet 2), OR-gate U332D (fig. FO-6, sheet 1), and interrupt Register U654 (fig. FO-5, sheet 1).</p> <p>Testing Method:</p> <p>To test for stuck at 1, PCREG U860 is written the pattern x00xxxxx to clear BUS REQUEST and BUSTAKE bits. Then INTREG (bit 6) is tested for = 0, and the PASS/FAIL results are set accordingly.</p> <p>The PCREG is set for a BUSTAKE (x1xxxxxx). This time the INTREG (bit 6) should = 1. The result is set to FAIL if the test fails.</p> <hr/> <p>Troubleshooting Procedure:</p> <p>if test = FAIL then look for failure using the following steps:</p> <ol style="list-style-type: none"> <li>1. Setup the test scope as per Step 1 of the 2110 troubleshooting procedure.</li> </ol> <p>Now using the CH 2 probe:</p> <ol style="list-style-type: none"> <li>2. Run test 2130 in Continuous MODE and check for <math>\overline{\text{INTREG}}</math> chip select at U654 pin 1 and 19. if not present, troubleshoot the System Address Decode circuitry (U884, U862, U866A, U870B, and associated components) for proper inputs and outputs.</li> <li>3. Check that BUSTAKE on PCREG U860 pin 16 has LO-to-Hi and Hi-to-LO transitions on alternate <math>\overline{\text{PCREG}}</math> chip selects. if not, suspect problem with U860.</li> <li>4. Check INTREG U654 pin 15 for a LO-to-Hi transition when BUSTAKE on PCREG U860 pin 16 is set from LO-to-Hi; if not, then check U332D (fig. FO-6, sheet 1) for correct gating.</li> </ol>

**Table 6-6  
OS-291/G Troubleshooting Procedures (cont)**

<b>7. EXTENDED DIAGNOSTICS (cont)</b>	
2140 DIAG1	<p>Processor Miscellaneous Out and Processor Miscellaneous In Registers (U750 and U854) Diagnostic Bit 1 (fig. FO-5)</p> <p>Testing Method:</p> <p>This is the first test for the PMISCOUT and PMISCIN registers. The byte to PMISCOUT U760 is set to 00000000 and PMISCIN (bit 4) is tested for = 0. The test result flag is set PASS or FAIL. PMISCOUT is then set to 10000000 and PM ISCIN (bit 4) is again tested. If the test fails, the test result is set to FAIL.</p> <hr/> <p>Troubleshooting Procedure:</p> <p>If test = FAIL then look for failure using the following steps:</p> <ol style="list-style-type: none"> <li>1. Set up the test scope as per Step 1 of the 2110 troubleshooting procedure.</li> </ol> <p>Now using the CH 2 probe:</p> <ol style="list-style-type: none"> <li>2. Run test 2140 in CONTINUOUS MODE and check for chip select at U760 pin 11. If not present, troubleshoot the System Address Decode circuitry (U884, U862, U866A, U870B, and associated components) for proper inputs and outputs.</li> <li>3. Test U760 pin 19 for a LO-to-Hi transition between chip selects. If missing, replace U760; if ok, suspect U854.</li> </ol>
2150 COMREG	<p>Interrupt Latch (COMREG) U550 and Display Status Register (SSREG) U542 (fig. FO-6)</p> <p>Testing Method:</p> <p>A BUSTAKE is executed (previously tested) and the 4Q output of U550 pin 15 is set LO. SSREG U542 bits 0 and 1 (pins 16 and 18) are then tested to see if they are LO, and the test results are set accordingly.</p> <p align="center"><b>NOTE</b></p> <p align="center"><i>The inputs of U542 pins 2 and 4 are wired together</i></p> <p>Pin 15 of U550 is then set HI and SSREG bits 0 and 1 are tested for H1. If the test fails, the test result is set to FAIL.</p> <hr/> <p>Troubleshooting Procedure:</p> <p>If test = FAIL then look for failure using the following steps:</p> <ol style="list-style-type: none"> <li>1. Setup the test scope as per Step 1 of the 2110 troubleshooting procedure.</li> </ol> <p>Now using CH 2 probe:</p> <ol style="list-style-type: none"> <li>2. Run test 2150 in CONTINUOUS mode and check that U550 (<math>\overline{\text{COMREG}}</math>, pin 1) is set LO during the period that the clock line to U550 (<math>\overline{\text{WWR}}</math>, pin 9) has a LO-to-Hi transition. This may be done by saving the <math>\overline{\text{COMREG}}</math> signal in REF1 and displaying it at the same time as the clock pulse on U550 pin 9 is acquired. If these signals are not coincident, then troubleshoot the cause and correct the problem. See Figure 6-8 for typical register test waveforms.</li> <li>3. Check that U550 pin 15 has a LO-to-Hi transition after the second clock pulse goes LO-to-Hi. If no transition, change U550; if ok, check chip enable of U542 (<math>\overline{\text{SSREG}}</math>, pin 1) to be LO after <math>\overline{\text{WRR}}</math> on U550 pin 9 goes LO-to-Hi. If ok, then suspect U550. if the enable is defective, troubleshoot and correct the problem.</li> </ol>

Table 6-6  
OS-291/G Troubleshooting Procedures (cont)

7. EXTENDED DIAGNOSTICS (cont)

2150  
COMREG (cont)

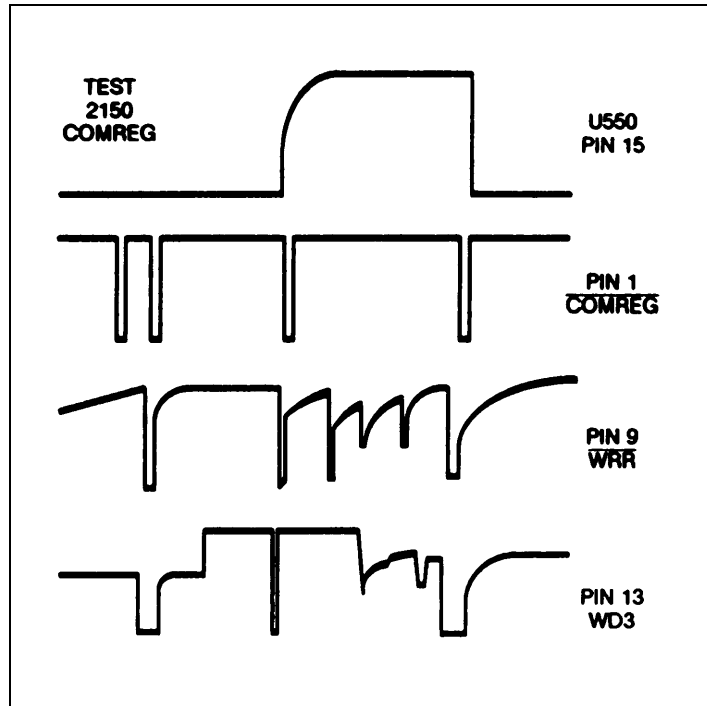


Figure 6-8. Typical Register test waveforms.

2160  
WPDN

Waveform Processor Done U550 (fig. FO-6)

Testing Method:

A BUSTAKE is executed (previously tested) and pin 10 of Interrupt Latch U550 is set LO. Then pin 14 (bit 2) of PMISCIN register U854 (fig. FO-5, sheet 2) is tested for a LO, and the test results are set accordingly.

Then pin 10 of U550 is set HI, and U854 pin 14 is tested for a Hi. If test fails, the test result is set to FAIL.

Troubleshooting Procedure:

If test = FAIL then look for failure using the following steps:

1. Setup the test scope as per Step 1 of the 2110 troubleshooting procedure.

Now using CH 2 probe:

2. Run test 2160 in CONTINUOUS mode and check that U550 ( $\overline{\text{COMREG}}$ , pin 1) is set LO during the period that the clock to U550 ( $\overline{\text{WRR}}$ , pin 9) has a LO-to-Hi transition. This may be done by saving the  $\overline{\text{COMREG}}$  signal in REF1 and displaying while acquiring the clock pulse on U550 pin 9. If these signals are not coincident, then troubleshoot the cause.
3. Check that U550 pin 10 has a Hi-to-LO transition on the first enable and a LO-to-Hi transition after the second clock pulse goes LO-to-Hi. If bad, change U550; if good, check chip enable at U854 pins 1 and 19 is LO after U550 pin 10 goes from LO-to-Hi. If ok, then suspect U854. If the enable is defective, troubleshoot and correct the problem.

**Table 6-6  
OS-291/G Troubleshooting Procedures (cont)**

<b>7. EXTENDED DIAGNOSTICS (cont)</b>	
2170 DIAG2	<p>Diagnostic Bit 2 Word Trigger Register U754 (fig. FO-29)</p> <p>Testing Method:</p> <p>WDREG U754 (DIAG2, pin 19) is set to 0xxxxxxx and PMISCIN U854 (bit D6, pin 5) (fig. FO-5) is tested for 0. The test result is to PASS or FAIL accordingly.</p> <p>WDREG U754 (DIAG2, pin 19) is then set to 1xxxxxxx and PMISCIN U854 (bit D6, pin 5) is tested for 1. if the test fails, the test result is set to FAIL.</p> <p>WDREG also drives the GPIB LEDS on the Front Panel. Bit patterns xxxxx000 to xxxxx111 are sent in a binary sequence with a 50 ms delay between patterns. The register is then reset to entry values.</p> <hr/> <p>Troubleshooting Procedure:</p> <p>if test = FAIL then look for failure using the following steps:</p> <ol style="list-style-type: none"> <li>1. Setup the test scope as per Step 1 of the 2110 troubleshooting procedure.</li> </ol> <p>Now using CH 2 probe:</p> <ol style="list-style-type: none"> <li>2. Check that U754 (<math>\overline{\text{RESET}}</math>, pin 1) is HI.</li> <li>3. Run test 2170 in Continuous mode and check the clock line to A12U754 at pin 11 for LO-to-Hi transitions. Since this is the register that provides the strobe to WORD TRIG, there should be four clock pulses, one at each end of the trigger strobe and two under it. if not, troubleshoot the clock source to isolate the problem.</li> <li>4. Test that U754 pin 19 has a LO-to-Hi transition on the third strobe. if there is no LO-to-Hi transition, replace U754. if there is, then test A12U854 pin 15 for the same signal as at U759 pin 19. if present, replace U854; if not, find the open.</li> </ol>
2190 MWPDN	<p>Miscellaneous Register U760 (fig. FO-5)</p> <p>Testing Method:</p> <p>A BUSTAKE is executed (previously tested), interrupt Latch bit D2 is set true (WPDN) and PMISCOUT Register U760 pin 2 (the mask for WPDN), is set to 0.</p> <p>INTREG U654 (bit DO, pin 18) is tested for 0 and the test result is set accordingly.</p> <p>PMISCOUT U760 (bit DO, pin 2) is set to 1 which should unmask the WPDN that is already set true. INTREG (bit 0) is tested for 1. If test fails, the test result is set to FAIL.</p> <hr/> <p>Troubleshooting Procedure:</p> <p>if test = FAIL then look for failure using the following steps:</p> <ol style="list-style-type: none"> <li>1. Setup the test scope as per Step 1 of the 2110 troubleshooting procedure.</li> </ol> <p>Now using the CH 2 probe:</p> <ol style="list-style-type: none"> <li>2. Run test 2190 in Continuous mode and check that U550 (<math>\overline{\text{COMREG}}</math>, pin 1) (fig. FO-6, sheet 2) is set LO during the period that the clock line U550 pin 9 has a LO-to-Hi transition. This may be done by saving the <math>\overline{\text{COMREG}}</math> signal in REF1 (if using a OS-291/G as the test scope) and displaying it while acquiring the clock pulse on U550 pin 9. if these signals are not coincident, then troubleshoot the cause.</li> <li>3. Check that U550 pin 2 has a LO-to-HI transition on the second clock pulse. If bad, change U550. if ok, store in REF1 and display it while testing output of U880B pin 6 (fig. FO-5, sheet 2). If ok then replace U654; if not, check the inputs to U880A on pins 4 and 5, and if those are ok, replace U880.</li> </ol>

Table 6-6  
OS-291/G Troubleshooting Procedures (cont)

**7. EXTENDED DIAGNOSTICS (cont)**

<p>2200 TB-DSP</p>	<p>Display Control Registers (fig. FO-25)</p> <p>Testing Method:</p> <p>Running the test from this level will test all the Display Control registers. These tests will Utilize four bit patterns to detect faults. If marked FAIL at this level, go to the lower levels in the menu to test for the failed register. The four bit patterns sent in each of the register tests are as follows:</p> <p>Test 1 – 10100101 is sent to the input latch and read back via the output buffer. Test result is set to fail if not a match.</p> <p>Test 2– 01001011 is sent and read back. Test result is set to fail if not a match.</p> <p>Test 3– 10010110 is sent and read back. Test result is set to fail if not a match.</p> <p>Test 4–00101 101 is sent and read back. Test result is set to fail if not a match.</p> <p style="text-align: center;"><b>NOTE</b></p> <p style="text-align: center;"><i>DISCON (bit 0) will not change, as it has the Main board diagnostics as its input.</i></p>
<p>2210 MISC</p>	<p>Misc Registers U532 and U540 (fig. FO-25)</p> <p>Testing Method:</p> <p>The MISC register is two components; latch U532 and read-back buffer U540. The test result s set to PASS and the test is done; any failure sets it to FAIL.</p> <p>f run from this level, all four tests are selected in turn. One may execute any single test by selecting 2211 to 2214. The test involves writing four unique patterns (see test 2200) to U532 and reading them back from U540. The four patterns test for all stuck-at(s) and for lines shorted to other lines. By knowing which test fails and the bit pattern, one may easily determine a bus problem by observing which bits are the same in the failed tests.</p> <p>Troubleshooting Procedure:</p> <p>If test = FAIL for all tests, then look for failure using the following steps:</p> <ol style="list-style-type: none"> <li>1. Setup the test scope as per Step 1 of the 2110 troubleshooting procedure.</li> </ol> <p>Now using the CH 2 probe:</p> <ol style="list-style-type: none"> <li>2. Run test 2210 in Continuous Mode and check U532 pin 1 for to be LO during the time of the trigger strobe. If not, troubleshoot the Register Select circuitry (U550 and U450D) for proper operation.</li> <li>3. Check U532 pin 19 for clock pulse activity (<math>\overline{RD}</math> strobe from System Microprocessor).</li> <li>4. if 1 and 2 above are ok, then select a pattern test and check that the data lines are the same states as the pattern; i.e., 10100101 would have the D7 pin = 1, D6 pin = 0, etc.</li> </ol> <p style="text-align: center;"><b>NOTE</b></p> <p style="text-align: center;"><i>Must select test mode of RUN ONCE for stability.</i></p> <p>If ok, repeat steps 2 and 3 for U540, and replace U540 if steps 2 and 3 pass.</p>

**Table 6-6  
OS-291/G Troubleshooting Procedures (cont)**

**7. EXTENDED DIAGNOSTICS (cont)**

<p>2220 MODECON</p>	<p>Mode Control Register U541 and U542 (fig. FO-25)</p> <p>Testing Method:</p> <p>The MO DECON register is two components, latch U541 and read-back buffer U542. The test result is set to PASS, any failure sets it to FAIL.</p> <p>If run from this level, all four tests are selected in turn. One may execute any one test by selecting 2221 to 2224. The test involves writing four unique patterns (see test 2200) to U541 and reading them back from U542. The four patterns test for all stuck-at(s) and for lines shorted to other lines. By knowing which test fails and the bit pattern, one may easily determine a bus problem by observing which bits are the same in the failed tests.</p> <hr/> <p>Troubleshooting Procedure:</p> <p>If test = FAIL for all test then look for failure using the following steps:</p> <ol style="list-style-type: none"> <li>1. Setup the test scope as per Step 1 of the 2110 troubleshooting procedure.</li> </ol> <p>Now using the CH 2 probe:</p> <ol style="list-style-type: none"> <li>2. Check U541 pin 1 for PWRUP = HI; if not, troubleshoot Power Up circuitry (fig. FO-32).</li> <li>3. Run test 2220 in CONTINUOUS mode and check U541 pin 11 for clock pulse <b>MODECON</b> activity.</li> </ol> <p align="center"><b>NOTE</b></p> <p align="center"><i>First clock pulse is the write to U541, the second is the read from U542.</i></p> <ol style="list-style-type: none"> <li>4. If 2 and 3 above are ok, then select a pattern test and check that the data lines are the same states as the pattern; i.e., 10100101 would have the D7 pin = 1, D6 pin = 0, etc. If ok, replace U542.</li> </ol>
<p>2230 DISCON</p>	<p>Display Control Register U530 and U531 (fig. FO-25)</p> <p>Testing Method:</p> <p>The DISCON (display control) register is two components, latch U530 and read-back buffer U531. The test result is set to PASS, any failure sets it to FAIL.</p> <p>If run from this level, all four tests are selected in turn, or one may execute anyone test by selecting 2231 to 2234. The test involves writing four unique patterns (see test 2200) to U530 and reading them back from U531. The four patterns test for all stuck-at(s) and for lines shorted to other lines. By knowing which test fails and the bit pattern, one may easily determine a bus problem by observing which bits are the same in the failed tests.</p> <p align="center"><b>NOTE</b></p> <p align="center"><i>The readback bit (bit 0) is the Main board diagnostic bit and will not be tested.</i></p>



**Table 6-6**  
**OS-291/G Troubleshooting Procedures (cont)**

<b>7. EXTENDED DIAGNOSTICS (cont)</b>	
2230 DISCON (cont)	<p>Troubleshooting Procedure:</p> <p>If test = FAIL for all test then look for failure using the following steps:</p> <ol style="list-style-type: none"> <li>1. Set up the test scope as per Step 1 of the 2110 troubleshooting procedure.</li> </ol> <p>Using the CH 2 probe:</p> <ol style="list-style-type: none"> <li>2. Run test 2230 in CONTINUOUS mode and check U530 pin 1 for DISCON = LO during the time of the trigger strobe. If not, troubleshoot the Register Select circuit (U550 and U450D) for proper operation.</li> <li>3. Check U530 pin 11 for clock pulse activity (<math>\overline{WR}</math> strobe from System Microprocessor).</li> <li>4. If 2 and 3 above are ok, then select a pattern test and check that the data lines are the same states as the pattern; i.e., 10100101 would have the D7 pin = 1, D6 pin = 0, etc. If ok, replace U531.</li> </ol>
2300 TB-DSP	<p>Display Memory Bus Registers:</p> <p>Running this test will test all the Display bus registers. There are seven tests in this section. The first two write a pattern to one register and read back from another as in the previous section.</p> <p>The next three tests deal with the "Q" bus of the display state machine and require strobing of data and shifting of bits for readout.</p> <p>The remaining two tests use initialized data in U441 and U440 (display and readout memory will be written with our standard four patterns in the first four bites of each memory).</p> <p>If marked FAIL in the Extended Diagnostic menu, go to the next lower level of diagnostics and run those tests to determine the problem register.</p>
2310 VCURS	<p>Volts Cursors Register U241 (fig. FO-24) Testing Method:</p> <p>The Volts Cursors Register test checks two components; latch U241 readback is via Diagnostic Buffer U141. The test result is set to PASS, any failure sets it to FAIL.</p> <p>If run from this level, all four tests are selected in turn, or one may execute anyone test by selecting 2311 to 2314. The test involves writing four unique patterns (see test 2200) to U241 and reading them back from U141. The four patterns test for all stuck-at(s) and for lines shorted to other lines. By knowing which test fails and the bit pattern, one may easily determine a bus problem by observing which bits are the same in the failed tests.</p> <hr/> <p>Troubleshooting Procedure:</p> <p>If test = FAIL for all tests then look for failure using the following steps:</p> <ol style="list-style-type: none"> <li>1. Check U241 pin 1 to be LO (<math>\overline{VCURSEN}</math>).</li> <li>2. Check <math>\overline{VCURS}</math> clock to U241 at pin 11 for activity (save to REF1 and display for timing).</li> <li>3. Select one pattern and check each output relative to the REF1 clock pulse for the proper level for that bit/pattern. If incorrect, replace U241.</li> <li>4. Check U141 pins 1 and 19 for the YDIAG pulse after the clock pulse to U241. If ok, replace U141. If not present, replace U550 (fig. FO-25, sheet 2).</li> </ol>

**Table 6-6  
OS-291/G Troubleshooting Procedures (cont)**

<b>7. EXTENDED DIAGNOSTICS (cont)</b>	
2320 TCURS	<p>Time Cursor Register U441 (fig. FO-24)</p> <p>Testing Method:</p> <p>The TCURS test checks two ICs; U441 is a latch and the read back is Diagnostic Buffer U243. The test result is set to PASS, any failure sets it to FAIL.</p> <p>If run from this level, all four tests are selected in turn, or one may execute anyone test by selecting 2321 to 2324. The test involves writing four unique patterns (see test 2200) to U441 and reading them back from U243. The four patterns test for all stuck-at(s) and for lines shorted to other lines. By knowing which test fails and the bit pattern, one may easily determine a bus problem by observing which bits are the same in the failed tests.</p> <hr/> <p>Troubleshooting Procedure:</p> <p>If test = FAIL for all test then look for failure using the following steps:</p> <ol style="list-style-type: none"> <li>1. Check U441 pin 1 to be LO (TCURSEN).</li> <li>2. Check U441 (<math>\overline{\text{TCURS}}</math>, pin 11) for clock activity (save to REF1 and display for timing).</li> <li>3. Select one pattern and check each output relative to the REF1 clock pulse for the proper level for that bit/pattern. If incorrect, replace U441.</li> <li>4. Check U243 pins 1 and 19 for the <math>\overline{\text{XDIAG}}</math> pulse after clock pulse to U441. If ok, replace U243; if not present, replace U550 (fig. FO-25, sheet 1).</li> </ol>
2330 U130	<p>Ramp Buffer U130 (fig. FO-24)</p> <p>Testing Method:</p> <p>If run from this level, all four tests are selected in turn, or one may execute anyone test by selecting 2331 to 2334.</p> <p>This test requires the Display State Machine to be operative. There is no “good” way to ensure that it is functional, and there have been no previous tests to help to find that out. Therefore, if this test fails, it could be for several reasons other than U130. If the power-on Self Test starts to run but halts at test level 3000 or test level 6000 (as indicated by the lighted Trigger LEDs), the problem maybe in the Display State Machine circuit (fig. FO-25) or the DISDN signal path to the System Processor Interrupt circuit. Use the Display Troubleshooting Chart to troubleshoot the Display State Machine and check that the DISDN signal at U414 pin 5 is correct.</p> <p>Initialization:</p> <p>DISCON = 01100000. Significant bits are b2, b5, b6, and b7 (<math>\overline{\text{STOPDIS}}</math>, enable “Q” bus, not ENV mode).</p> <p>MODECON = 00001000. Significant bit is b3 (U140 lower half).</p> <p>MISC = 00100000. Significant bit is b5 (ZAXIS OFF).</p> <p>The test result = PASS.</p>

**Table 6-6**  
**OS-291/G Troubleshooting Procedures (cont)**

---

**7. EXTENDED DIAGNOSTICS (cont)**


---

2330  
U130 (cont)

The test is to load a pattern into the display counters, U220 and U211, with the  $\overline{\text{LDCOUNT}}$  strobe (data loaded to U222 is fixed). Their outputs are selected by U221, U212, U210 holding U414A in the reset mode and not PRESTART. Since the  $\overline{\text{STOPDIS}}$  line is LO, the display counters are selected as the source to the Q bus (U210, U212, U221). The inputs to U 130 are the bits Q1 ..Q5 where Q1..Q3 = 0. and Q4, Q5 are the b0, b1 data of pattern. To read back properly, shift the pattern left 3 bits and use only the lower 5 bits of XDIAG (U243).

Test 1. 10100101 is loaded and read back via U243. Test result is set to fail if not a match on bits 0 through 5.

Test 2. 01001011 is loaded and read back via U243. Test result is set to fail if not a match on bits 0 through 5.

Test 3. 10010110 is loaded and read back via U243. Test result is set to fail if not a match on bits 0 through 5.

Test 4. 00101101 is loaded and read back via U243. Test result is set to fail if not a match on bits 0 through 5.

---

Troubleshooting Procedure:

**NOTE**

*Q0 through Q3 = 0. Q4 through Q11 map to D0 through D7; i.e., Q4 = d3. By knowing which test FAILs and the bit pattern one may easily determine the problem bit(s) (look for the bit column in the failed tests that are the same).*

if 2 or 3 tests fail, then there is a bus problem of some sort and they must be examined. If all four tests FAIL, then the problem can be in several locations.

1.  $\overline{\text{LDCOUNT}}$  might not be strobing the data into Display Counters U220 and/or U211 (fig. FO-25, sheet 1).
2. U414A may not be resetting, or U323 pin 3 might be HI due to a failure.
3. Address Multiplexer U221, U212, and U210 may not be operating properly.
4. Ramp Buffer U130 (fig. FO-24, sheet 2) may be defective.

Set up the test scope as in Step 1 of the 2110 troubleshooting procedure.

Now using the CH 2 probe:

1. Run test 2230 in Continuous mode and verify the  $\overline{\text{LDCOUNT}}$  strobe pulse at pin 11 of U222, U220, and U211.
  2. Verify that after  $\overline{\text{LDCOUNT}}$  strobe, that the outputs of U222, U220, and U211 are stable and of the correct level for the test selected.
  3. Verify that U323 pin 3 is LO.
  4. Verify the outputs of U221, U212, and U210 are stable and correct after the  $\overline{\text{LDCOUNT}}$  strobe to the previous bus.
  5. Verify the chip enable to U130 pins 1 and 15 is LO. if ok to here, replace U130.
-

**Table 6-6  
OS-291/G Troubleshooting Procedures (cont)**

**7. EXTENDED DIAGNOSTICS (cont)**

<p>2340 U140</p>	<p>Readout Buffer U140 (fig. FO-24, sheet 2)</p> <p>Testing Method:</p> <p>If run from this level, all four tests are selected in turn, or one may execute anyone test by selecting 2341 to 2344.</p> <p>This test requires the Display State Machine to be operative. There is no “good” way to ensure that it is functional and there have been no previous tests. Therefore, if this test fails, it could be for several reasons other than U140.</p> <p>Initialization:</p> <p>DISCON = 01100000. Significant bits are b2, b5, b6, and b7 (<u>STOPDIS</u>, enable “Q” bus, not ENVELOPE mode).</p> <p>MODECON = 00001000. Significant bit is b3 (U140 lower half).</p> <p>MISC = 00100000. Significant bit is b5 (ZAXIS OFF).</p> <p>The test result = PASS.</p> <p>The test is to load a pattern into the display counters, U220 and U211, with the <u>LD</u>COUNT strobe. The counter outputs are switched to the Q bus through U221, U212, U210 by holding U414A in the reset mode (PRESTART + DISPLAY is LO). The inputs to U140 (lower half) are the bits Q6 through Q8 where Q1 through Q3 = 0. Q4 and Q5 are the b0 and b1 data of the pattern. To read back properly, one shifts the pattern left 3 bits and use bits 4,5, and 6 of XDIAG (U243); the test result is set to FAIL if the test fails.</p> <p>Test 1. 10100101 is loaded and read back via U243. Test result is set to fail if not a match on bits 0 through 5.</p> <p>Test 2. 01001011 is loaded and read back via U243. Test result is set to fail if not a match on bits 0 through 5.</p> <p>Test 3. 10010110 is loaded and read back via U243. Test result is set to fail if not a match on bits 0 through 5.</p> <p>Test 4. 00101101 is loaded and read back via U243. Test result is set to fail if not a match on bits 0 through 5.</p> <p>Then MODECON is set to 00010000 to select the top half of U 140 and the pattern is shifted left 2 bits. YDIAG (U141) bits 4,5,6, and 7 are tested, and the test result is set to FAIL if the test fails.</p> <p>Test 1. 10100101 is loaded and read back via U141. Test result is set to FAIL if not a match on bits 0 through 5.</p> <p>Test 2. 01001011 is loaded and read back via U141. Test result is set to FAIL if not a match on bits 0 through 5.</p> <p>Test 3. 10010110 is loaded and read back via U141. Test result is set to FAIL if not a match on bits 0 through 5.</p> <p>Test 4. 00101101 is loaded and read back via U141. Test result is set to FAIL if not a match on bits 0 through 5.</p>
----------------------	---

**Table 6-6**  
**OS-291/G Troubleshooting Procedures (cont)**

**7. EXTENDED DIAGNOSTICS (cont)**

2340  
U140 (cont)

**NOTE**

*Q0 through Q4 = 0. Q4 through Q11 map to D0 to D7. i.e., Q7 = D3. By knowing which test FAILs and the bit pattern one may easily determine the problem bit(s) (look for the bit column in the failed tests that are the same).*

If 2 or 3 tests fail, then there is a bus problem of some sort, and the busses must be examined. If all four tests FAIL, then the problem can be in several locations.

1.  $\overline{\text{LDCOUNT}}$  might not be strobing the data into U220 and/or U21 1 Display Counters (fig. FO-25, sheet 1).
2. Flip-flop U414A may not be resetting, or OR-gate U323 pin 3 might be HI due to a failure.
3. The busses into or out of Address Multiplexer U221, U212, U210 may not be operating properly.
4. Readout Buffer U140 may be defective.

Troubleshooting Procedure:

Set up the test scope as in Step 1 of the 2110 troubleshooting procedure.

Now using the CH 2 probe:

1. Run test 2340 and verify the  $\overline{\text{LDCOUNT}}$  strobe pulse at pin 11 of U222, U220, and U211.
2. Verify that after  $\overline{\text{LDCOUNT}}$  strobe, that the outputs of Address Multiplexer U222, U220, U211 are stable and of the correct level for the test selected.
3. Verify that U323 pin 3 is LO.
4. Verify the outputs of U221, U212, and U210 are stable and correct after the  $\overline{\text{LDCOUNT}}$  strobe to the previous bus.
5. Verify the RO chip enable to U 140 pin 1 is HI for about half of the Trigger strobe positive period, and then that it goes LO and stays LO for the remaining time. This LO selects inputs Q6 through Q9 of U140.
6. Verify the  $\overline{\text{COUNTEN}}$  chip enable to U140 pin 19 has a Hi-to-LO transition; then, before the time that U140 pin 1 goes LO, U140 pin 19 goes HI. While U140 pin 19 is LO, inputs Q6, Q7, Q8 are selected. If ok to here, replace U140.

**Table 6-6**  
**OS-291/G Troubleshooting Procedures (cont)**

**7. EXTENDED DIAGNOSTICS (cont)**

<p>2350 U240</p>	<p>Readout Buffer U240 (fig. FO-24, sheet 2)</p> <p>Testing Method:</p> <p>If run from this level, all four tests are selected in turn, or one may execute any one test by selecting 2351 to 2354.</p> <p>This test requires the display state machine to be operative. There is no “good” way to ensure that it is functional, and there have been no previous tests to help find that out. Therefore, if this test fails, it could be for several reasons other than U240.</p> <p>Initialization:</p> <p style="padding-left: 20px;">DISCON = 01100000. Significant bits are b2, b5, b6, and b7 (STOPDIS, enable “Q” bus, not ENV mode).</p> <p style="padding-left: 20px;">MODECON = 00010000. Significant bit is b3 (U240).</p> <p style="padding-left: 20px;">MISC = 00100000. Significant bit is b5 (ZAXIS OFF).</p> <p style="padding-left: 20px;">The test result = PASS.</p> <p>The test is to load a pattern into the display counters, U220 and U211, with the <u>LDCOUNT</u> strobe. The counter outputs are switched to the Q bus through U221, U212, U210 by holding U414A in the reset mode (PRESTART + DISPLAY is LO). The inputs to U240 are the bits Q0 through Q5 where Q0 through Q3 = 0. Q4 and Q5 are the b0, b1 data of pattern. To read back properly, one shifts the pattern left 6 bits and uses bits 6 and 7 of XDIAG (U243); the test result is set to FAIL if the test fails.</p> <p>Test 1. 10100101 is loaded and read back via U243. Test result is set to fail if not a match on bits 0 through 5.</p> <p>Test 2. 01001011 is loaded and read back via U243. Test result is set to fail if not a match on bits 0 through 5.</p> <p>Test 3. 10010110 is loaded and read back via U243. Test result is set to fail if not a match on bits 0 through 5.</p> <p>Test 4. 00101101 is loaded and read back via U243. Test result is set to FAIL if not a match on bits 0 through 5.</p> <p style="text-align: center;"><b>NOTE</b></p> <p style="padding-left: 40px;"><i>Q0 through Q3 = 0, and Q4 through Q11 map to D0 to D7. i.e., Q7 = 03. By knowing which test FAILs and the bit pattern, one may easily determine the problem bit(s) (look for the bit column in the failed tests that are the same).</i></p> <p>If 2 or 3 tests fail, then there is a bus problem of some sort that must be examined. If all four tests FAIL, then the problem can be in several locations.</p> <ol style="list-style-type: none"> <li>1. <u>LDCOUNT</u> might not be strobing the data into U220 and/or U211.</li> <li>2. Flip-flop U414A may not be resetting, or U323 pin 3 might be HI due to a failure.</li> <li>3. Address Multiplexer U221, U212, and U210 may not be operating properly.</li> <li>4. Readout Buffer U240 maybe defective.</li> </ol>
----------------------	---

**Table 6-6**  
**OS-291/G Troubleshooting Procedures (cont)**

<b>7. EXTENDED DIAGNOSTICS (cont)</b>	
2350 U240 (cont)	<p>Troubleshooting Procedure:</p> <p>Set up the test scope as in Step 1 of the 2110 troubleshooting procedure.</p> <p>Now using the CH 2 probe:</p> <ol style="list-style-type: none"> <li>1. Run test 2350 in Continuous mode and verify the <math>\overline{\text{LDCOUNT}}</math> strobe pulse at pin 11 of U222, U220, and U211.</li> <li>2. Verify that after <math>\overline{\text{LDCOUNT}}</math> strobe, the outputs of Address Multiplexer U222, U220, U211 are stable and of the correct level for the test selected.</li> <li>3. Verify that U323A pin 3 is LO.</li> <li>4. Verify the outputs of U221, U212, and U210 are stable and correct after the <math>\overline{\text{LDCOUNT}}</math> strobe to the previous bus.</li> <li>5. Verify the RO chip enable to U240 pins 1 and 15 is LO. if ok to here, replace U240.</li> </ol>
2360 U322	<p>Vertical Buffer U322 (fig. FO-24, sheet 1)</p> <p>Testing Method:</p> <p>if run from this level, all four tests are selected in turn, or one may execute any one test by selecting 2361 to 2364. The contents of the first four bytes of U322 have been written and will now be tested against the values that were thought to be written, any failure to match will cause that test to fail. U322 is decoded by reading address 2000h.</p> <p>Set test result = PASS.</p> <p>if contents of 2000h not equal to 10100101, then test result = FAIL.</p> <p>if contents of 2001 h not equal to 01001011, then test result = FAIL.</p> <p>if contents of 2002h not equal to 10010110, then test result = FAIL.</p> <p>if contents of 2003h not equal to 00101101, then test result = FAIL.</p> <hr/> <p>Troubleshooting Procedure:</p> <p>Set up the test scope as in Step 1 of the 2110 troubleshooting procedure.</p> <p>Using the CH 2 probe:</p> <ol style="list-style-type: none"> <li>1. Run test 2360 in Continuous mode and check U322 pin 19 for a negative strobe <math>\overline{\text{YSEL}}</math> at 10 <math>\mu\text{s}</math> from the LO-to-Hi transition of the trigger pulse. if not present, troubleshoot U323 and the inputs to it.</li> <li>2. Check for activity on the <math>\overline{\text{WRD}}</math> signal line of U322 pin 1; if no activity, check for open back to U564 (fig. FO-6, sheet 1).</li> <li>3. Check that the data pattern for the test is correct at the input and output pins of U322. The data is stable during the <math>\overline{\text{YSEL}}</math> strobe on pin 19, and the data bit level must be read in coincidence with it as other activity is also taking place on the WD bus. A Word Recognize probe would be useful to make these checks, but it is not necessary.</li> <li>4. If the input and output data patterns of U322 do not match, replace U322. if they match each other, but are not correct, suspect a problem with Vertical RAM U431. Run test 2361 through test 2364 to see if all patterns fail. if all do not fail, troubleshoot for a bad bit of the failing test or tests.</li> <li>5. Check pin 20 (<math>\overline{\text{DEY}}</math>) and pin 18 (CSY) of U431 for a negative strobe coincident with the YSEL strobe. If either is not present, troubleshoot U421 and the input signals to it.</li> </ol>

**Table 6-6**  
**OS-291/G Troubleshooting Procedures (cont)**

<b>7. EXTENDED DIAGNOSTICS (cont)</b>	
2360 U322 (cont)	<p>6. Check that pin 21 of U431 (WE) is HI during the HI portion of the trigger strobe (displayed on CH 1 of the test scope). The data writes of the test patterns occur during the LO portion of the trigger strobe, and that activity can be seen. If the WE signal is not correct, troubleshoot U422 and the input signals to it.</p> <p>7. Replace U431.</p>
2370 U314	<p>Horizontal Buffer (fig. FO-24)</p> <p>Testing Method:</p> <p>If run from this level, all four tests are selected in turn, or one may execute anyone test by selecting 2371 to 2374. The contents of the first four bytes of U314 have been written and will now be tested against the values that were thought to be written, any failure to match will cause that test to fail. U314 is decoded by reading address 2800h.</p> <p style="padding-left: 40px;">Set test result = PASS.</p> <p>If contents of 2800h not equal to 10100101, then test result = FAIL.</p> <p>If contents of 2801 h not equal to 01001011, then test result= FAIL.</p> <p>If contents of 2802h not equal to 10010110, then test result= FAIL.</p> <hr/> <p>Troubleshooting Procedure:</p> <p>Set up the test scope as in Step 1 of the 2110 troubleshooting procedure.</p> <p>Using the CH 2 probe:</p> <ol style="list-style-type: none"> <li>1. Run test 2370 in CONTINUOUS mode and check U314 pin 19 for a negative strobe <math>\overline{XSEL}</math> at 10 <math>\mu</math>s from the LO-to-Hi transition of the trigger pulse. If not present, troubleshoot U323 and the inputs to it.</li> <li>2. Check for activity on the <math>\overline{WRD}</math> signal line of U314 pin 1; if no activity, check for open back to U564 (fig. FO-6, sheet 1).</li> <li>3. Check that the data pattern for the test is correct at the input and output pins of U314. The data is stable during the <math>\overline{XSEL}</math> strobe on pin 19, and the data bit level must be read in coincidence with it, as other activity is also taking place on the WD bus.</li> <li>4. If the input and output data patterns of U314 do not match, replace U314. If they match each other, but are not correct, suspect a problem with Horizontal RAM U431. Run test 2371 through test 2374 to see if all patterns fail. If all do not fail, troubleshoot for a bad bit of the failing test or tests. A Word Recognize probe would be useful for making these checks but is not necessary.</li> <li>5. Check pin 20 (<math>\overline{DEX}</math>) and pin 18 (CSX) of U440 for a negative strobe coincident with the <math>\overline{XSEL}</math> strobe. If either is not present, troubleshoot U421 and the input signals to it.</li> <li>6. Check that pin 21 of U440 (WE) is HI during the HI portion of the trigger strobe (displayed on CH 1 of the test scope). The data writes of the test patterns occur during the LO portion of the trigger strobe, and that activity can be seen. If the WE signal is not correct, troubleshoot U422 and the input signals to it.</li> <li>7. Replace U440.</li> </ol>
2400 TB-DSP	<p>Running the test at this level will execute the Time Base Controller (U670) tests for Short-Pipe (S1SO) and FISO modes.</p> <p>The test causes Time Base Controller U670 to simulate all the necessary states to get an acquisition in Short-Pipe and FISO modes.</p>



**Table 6-6**  
**OS-291/G Troubleshooting Procedures (cont)**

**7. EXTENDED DIAGNOSTICS (cont)**

<p>2410 U670 FISO</p>	<p>Time Base Controller U670 (fig. FO-16, sheet 1 )</p> <p>Running the test executes the Time Base Controller in FISO mode.</p> <hr/> <p>Troubleshooting Procedure:</p> <p>Set up the test scope as in Step 1 of the 2110 troubleshooting procedure.</p> <p>Now using the CH 2 probe:</p> <ol style="list-style-type: none"> <li>1. Run test 2410 in the Continuous mode. Set the Sec/Div setting of the test scope to 1 <math>\mu</math>s and connect the CH 2 probe to pin 19 of bidirectional buffer U641 (<math>\overline{\text{TBSEL}}</math>); save CH 2 into REF1 and Display REF1.</li> <li>2. Position CH 2 down to allow room to display the signal and connect the CH 2 probe to U641 pin 1; save CH 2 into REF2 and Display REF2. The <math>\overline{\text{LO TBSEL}}</math> pulse should be coincident to a HI RD pulse; if not, then troubleshoot the <math>\overline{\text{TBSEL}}</math> or the RD signal line.</li> <li>3. Position CH 2 down to allow room to display the signal and probe U641 pin 11 through 18. While the REF1 signal= is LO and REF2 signal RD is Hi, compare the results to 01100101 where U641 pin 11 is D7 and U641 pin 18 is D0. if they do not compare, replace U641.</li> <li>4. Test the output of U670 pin 26 for a square wave with a period of about 200 <math>\mu</math>s. If not correct, replace U670.</li> <li>5. if present, test for the square wave at U680 pin 16; replace U680 if TIMER signal is missing.</li> <li>6. if all checks were ok, suspect U542 (fig. FO-6).</li> </ol>
<p>2420 U670 SISO</p>	<p>Time Base Controller U670 (fig. FO-16, sheet 1)</p> <p>Troubleshooting Procedure:</p> <p>Set up the test scope as in Step 1 of the 2110 troubleshooting procedure and run test 2420 in the Continuous mode on the scope under test.</p> <p>Now using the CH 2 probe:</p> <ol style="list-style-type: none"> <li>1. Position the trigger strobe (CH 1) near the top of the CRT and connect the CH 2 probe to pin 19 of U641 (<math>\overline{\text{TBSEL}}</math>). Adjust the Sec/Div setting of the test scope to 1 <math>\mu</math>s. Verify that there is a negative <math>\overline{\text{TBSEL}}</math> pulse during the positive trigger strobe. Save the CH 2 waveform in REF1 and display REF1.</li> <li>2. Position the CH 2 display down to allow room for another display and connect the CH 2 probe to U641 pin 1. Save CH 2 into REF2 and display REF2. The <math>\overline{\text{TBSEL}}</math> pulse should be coincident to a HI RD pulse; if not, then troubleshoot the chip selector signal line.</li> <li>3. Position the CH 2 display down to allow room and probe U641 pin 11 through 18 while REF1 signal is LO and REF2 signal is HI. Compare the results to 01000000 where U641 pin 11 is D7 and U641 pin 18 is D0. If they do not compare, replace U641.</li> <li>4. Test the output of U670 at pin 26 for a square wave signal (TIMER) with a period of about 200 <math>\mu</math>s; if not present, replace U670.</li> <li>5. If present, test for the square wave at U680 pin 16 and replace U680 if missing.</li> <li>6. If all checks were ok, suspect U542 (fig. FO-6).</li> </ol>

**Table 6-6  
OS-291/G Troubleshooting Procedures (cont)**

**7. EXTENDED DIAGNOSTICS (cont)**

<p>2500 MAIN</p>	<p>The Main board has five shift-register tests. These are in two groups. The first group includes Gate Array U270, Peak-Detector U530, Attenuators U511 and U221 (acting as one 16-bit register), Trig U140. The second group has the System-DAC U850 and U851 (acting as one 16-bit register).</p> <p>From this level, the initialization and all five tests are selected in turn. An individual test may be run by selecting test numbers 2510 to 2560.</p> <p>There is one diagnostic bit for readout off the Main board and that is the logic-AND of the MSB of all the shift registers. The shift registers are preset to 10100101, or 1010010110100101 and the diagnostic bit is tested to see if a "1" is being readout for the MSB. if the diagnostic bit is not = 1, then either one of the registers is not loading or the diagnostic bit is stuck. In any event, no further meaningful data is possible, so the test stops. if initialization is successful, each bit is shifted out, register by register, and compared against what it should be by shifting the initial pattern and comparing the MSB. After any register is tested, it is reinitialized so the next register maybe tested. DISCON (input = U531 pin 18, output = U531 pin 17) is the diagnostic bit from the Main board.</p>
<p>2510 INIT SHIFT REGS</p>	<p>Acquisition Control Shift Registers U270 (Gate Array), U530 (Peak Detector), U140 (Trig Control), DAC input Shift Register U850/U851 (fig. FO-12), and Attenuator Shift Register U221/U511 (fig. FO-17)</p> <p>Testing Method:</p> <p>For this test to pass, the MSB of the five output registers above must be high. If one of the registers didn't have the correct pattern strobed in, the test fails.</p> <p>Troubleshooting Procedure:</p> <p>Set up the test scope as in Step 1 of the 2110 troubleshooting procedure.</p> <p>Run test 2510 in CONTINUOUS mode.</p> <p>Using the CH 2 probe:</p> <ol style="list-style-type: none"> <li>1. Check U380A pin 3 (fig. FO-12, sheet 1 ) for a HI level during the HI period of the trigger strobe. If ok, then check for the same signal at U531 pin 18 (fig. FO-25, sheet 1). If correct and test is failing, replace U531 and run SELF DIAG.</li> <li>2. Check U380A pins 1 and 2. if both are HI during the trigger strobe HI and pin 3 does not follow, then replace U380. If neither pin 1 nor 2 is Hi, then suspect DAC Select Multiplexer U272 or its input gating.</li> <li>3. If U380A pin 2 is LO, then run test 2560 and troubleshoot using the procedure given for that number.</li> <li>4. If U380A pin 1 is LO, then find which cathode of the input diodes (CR185, CR186, CR287, or CR288) is LO. Run the test number for the suspected Shift Register and check the inputs (clocks, data, and power) to it (look at the information given with the test number for the troubleshooting procedure for each Shift Register). If they are all ok, replace the suspected Shift Register; if not, troubleshoot the bad input.</li> </ol>
<p>2520 ATTEN</p>	<p>Attenuator Shift Registers U221/U511 (fig. FO-17, sheets 1 and 2)</p> <p>Testing Method:</p> <p>For this test, the MSB of U511 pin 13 will be compared with what the MSB should be with each shift of the register. If one of the bits differs from the loaded-in pattern, the test fails.</p>

**Table 6-6  
OS-291/G Troubleshooting Procedures (cont)**

<b>7. EXTENDED DIAGNOSTICS (cont)</b>	
2520 ATTEN (cont)	<p>Troubleshooting Procedure: Set up the test scope as in Step 1 of the 2110 troubleshooting procedure.</p> <p align="center"><b>NOTE</b></p> <p><i>For the following, set the Trigger Position of the test scope to 3/4. If using an analog scope for testing, use the appropriate holdoff and trigger level to view the signals of interest.</i></p> <p>Run test 2520 in Continuous mode. Using the CH 2 probe:</p> <ol style="list-style-type: none"> <li>1. Check U511 pin 9 and U221 pin 9 for + 5 V (registers not held reset). if not + 5 V, then repair.</li> <li>2. Check Shift Register U221 at pin 8 for activity (ATT SR CLOCK line). if clock is missing, troubleshoot Control Register Clock Decoder U271 (fig. FO-12, sheet 1).</li> <li>3. Check U221 pins 1 and 2 for activity (ACD line is the data input). if ACD missing, troubleshoot the signal path to and gating on the inputs of DAC Multiplexer Select register U272 (fig. FO-12, sheet 1).</li> <li>4. Check U221 pin 13 for activity; replace U221 if inactive.</li> <li>5. if checks good to this point and the test still fails, replace U511.</li> </ol>
2530 PEAK DETECTOR	<p>Acquisition Control Register U530 (fig. FO-12, sheet 1 )</p> <p>Testing Method: For this test, the MSB of U530 pin 13 will be compared with what the MSB should be with each shift of the register. if one of the bits differs from the loaded-in pattern, the test fails.</p> <hr/> <p>Troubleshooting Procedure: Set up the test scope as in Step 1 of the 2110 troubleshooting procedure.</p> <p align="center"><b>NOTE</b></p> <p><i>For the following, set the Trigger Position of the test scope to 3/4. If using an analog scope for testing, use the appropriate holdoff and trigger level to view the signals of interest.</i></p> <p>Run test 2530 in Continuous mode. Using the CH 2 probe:</p> <ol style="list-style-type: none"> <li>1. Check U530 pin 9 for a HI level. if LO, then check R531 and source of + 5 V.</li> <li>2. Check U530 pin 8 for activity (PD SR CLK signal line); if inactive, repair.</li> <li>3. Check U530 pins 1 and 2 for activity (ACD line is the data input). Repair if inactive.</li> <li>4. if all inputs are good, replace U530.</li> </ol>

**Table 6-6  
OS-291/G Troubleshooting Procedures (cont)**

<b>7. EXTENDED DIAGNOSTICS (cont)</b>	
2540 GATE ARRAY	<p>Acquisition Control Register U270 (fig. FO-12, sheet 1)</p> <p>Testing Method:</p> <p>For this test, the MSB of U270 pin 13 will be compared with what the MSB should be with each shift of the register. if one of the bits differs from the loaded-in pattern, the test fails.</p> <hr/> <p>troubleshooting Procedure:</p> <p>Set up the test scope as in Step 1 of the 2110 troubleshooting procedure.</p> <p align="center"><b>NOTE</b></p> <p><i>For the following, set the Trigger Position of the test scope to 3/4. If using an analog scope for testing, use the appropriate holdoff and trigger level to view the signals of interest.</i></p> <p>Run test 2540 in Continuous mode. Using the CH 2 probe:</p> <ol style="list-style-type: none"> <li>1. Check U270 pin 9 for a HI level. if not +5 V, check R269 and source of the + 5 V.</li> <li>2. Check U270 pin 8 for activity (GA SR CLK signal line); if inactive, repair.</li> <li>3. Check U270 pins 1 and 2 for activity (ACD line is the data input); repair if inactive.</li> <li>4. If all inputs are good, replace U270.</li> </ol>
2550 TRIG	<p>Acquisition Control Register U140 (fig. FO-12, sheet 1)</p> <p>Testing Method:</p> <p>For this test, the MSB of U140 pin 13 will be compared with what the MSB should be with each shift of the register. if one of the bits differs from the loaded-in pattern, the test fails.</p> <hr/> <p>Troubleshooting Procedure:</p> <p>Set up the test scope as in Step 1 of the 2110 troubleshooting procedure.</p> <p align="center"><b>NOTE</b></p> <p><i>For the following, set the Trigger Position of the test scope to 3/4. If using an analog scope for testing, use the appropriate holdoff and trigger level to view the signals of interest.</i></p> <p>Run test 2550 in CONTINUOUS mode. Using the CH 2 probe:</p> <ol style="list-style-type: none"> <li>1. Check U140 pin 9 for a HI level. if not +5 V, check R142 and source of the +5 V.</li> <li>2. Check U140 pin 8 for activity (TRIG CONT CLK line). if inactive, repair.</li> <li>3. Check U140 pins 1 and 2 for activity (ACD line is the data input); repair if inactive.</li> <li>4. if all inputs are good, replace U140.</li> </ol>

Table 6-6  
OS-291/G Troubleshooting Procedures (cont)

---

**7. EXTENDED DIAGNOSTICS (Cont)**

---

2560 SYSTEM DAC	<p>DAC Input Shift Registers A10U850/A10U851 (fig. FO-12, sheet 2)</p> <p>Testing Method:</p> <p>For this test, the MSB of U851 pin 13 will be compared with what the MSB should be with each shift of the register. If one of the bits differs from the loaded-in pattern, the test fails.</p> <hr/> <p>Troubleshooting Procedure:</p> <p>Set up the test scope as in Step 1 of the 2110 troubleshooting procedure.</p> <p style="text-align: center;"><b>NOTE</b></p> <p style="text-align: center;"><i>For the following, set the Trigger Position of the test scope to <math>\frac{3}{4}</math>. If using an analog scope for testing, use the appropriate holdoff and trigger level to view the signals of interest.</i></p> <p>Run test 2560 in the CONTINUOUS mode. Using the CH 2 probe:</p> <ol style="list-style-type: none"> <li>1. Check U850 pin 9 and U851 pin 9 for HI level. If not + 5 V, check R850 and source of the +5V.</li> <li>2. Check U850 pin 8 and U851 pin 8 for clock activity. If clocks are inactive, then:             <ol style="list-style-type: none"> <li>a. Check U280B pin 5 to have a LO gate present; replace U272 if pin 5 is stuck either HI or LO.</li> <li>b. Check U280B pin 6 for clocking signals during the HI period of the trigger strobe.</li> <li>c. Replace U280 if not gating correctly; troubleshoot clock signals if not present.</li> </ol> </li> <li>3. Check the data input to U850 at pins 1 and 2. The signal should be a train of pulses during the HI period of the trigger strobe. If the data input signal is not present, test signals around U280D and correct.</li> <li>4. Check U850 pin 13 that the first 8-bits of the 16-bit pattern comes out as the second is shifted into U850 at pins 1 and 2. (A Sec/Div setting of 0.5 ms on the test scope is good for viewing the data pattern, and the latched data on pin 13 is much easier to view than the input data pulses). If the data is not shifting through U850, then replace U850.</li> <li>5. If the data is coming through U850, check U851 pins 1 and 2 to verify that it is ok there. Check pin 13 of U851 for a data pattern of 1010010110100101. (Each bit is approximately 0.2 ms wide, so a 0.4 ms wide pulse is two bits.)</li> <li>6. Replace U851 if not shifting the signal through.</li> </ol>
--------------------	--

---

**Table 6-6**  
**OS-291/G Troubleshooting Procedures (cont)**

**7. EXTENDED DIAGNOSTICS (cont)**

2600 SIDEU761/U762	<p>Holdoff Register U762 (fig. FO-21, sheet 2)</p> <p>Testing Method:</p> <p>From this level, all four tests are selected in turn. individual test maybe called by selecting test numbers 2610 to 2640. The test involves writing 4 unique patterns to U762 and reading them back from U761. The four patterns test for all stuck-at(s) and for lines shorted to other lines. By knowing which test FAILs and the bit pattern, one may easily determine a bus problem by observing which bits are the same in the failed tests.</p> <p>The HOREG register is two integrated circuits; U762 is a latch and the read back is U761. If all tests pass, the test result is set to PASS; any failure sets it to FAIL.</p> <p align="center"><b>NOTE</b></p> <p align="center"><i>Bit 3 of the test patterns is not allowed to be set LO as it would reset the GPIB chip and we cannot restart it from the diagnostic routines.</i></p> <p>Test 1. 10101101 is sent to U762 and read back via U761. Test result is set to FAIL if not a match</p> <p>Test 2. 01001011 is sent to U762 and read back via U761. Test result is set to FAIL if not a match.</p> <p>Test 3. 10011110 is sent to U762 and read back via U761. Test result is set to FAIL if not a match.</p> <p>Test 4. 00101101 is sent to U762 and read back via U761. Test result is set to FAIL if not a match.</p> <hr/> <p>Troubleshooting Procedure:</p> <p>If the failure occurs for all tests:</p> <p>Set up the test scope as in Step 1 of the 2110 troubleshooting procedure.</p> <p>Now using CH 2 probe:</p> <ol style="list-style-type: none"> <li>1. Check that U762 (<math>\overline{HOREG}</math>, pin 1) is LO about 12 <math>\mu</math>s after the trigger strobe. If_ is absent, test the inputs of U781. Replace U781 if the inputs are ok; if not ok, troubleshoot that problem.</li> <li>2. Check that U762 (WR clock, pin 9) has a LO-to-Hi transition during the enable time. (Save enable in REF1 and display it while looking at the clock.) Clock line is the write line; if missing, suspect open run or connection.</li> <li>3. Check the outputs U762 (pins 15, 12, 10,7, and 5) for the proper levels for the pattern that is being looped on. Replace U762 if incorrect.</li> <li>4. Check U761 pin 1 to be enabled after the clock to U762 pin 9. if present, then the problem is possibly U762.</li> </ol>
-----------------------	--

Table 6-6  
OS-291/G Troubleshooting Procedures (cont)

7. EXTENDED DIAGNOSTICS (cont)									
<p>3000 SYS-RAM</p>	<p>All RAM tests are non-destructive. The Display RAM is tested first, and, if found good, the contents of the other RAMs are stored in the Display RAM as they are tested. The contents are returned after the test is complete.</p> <p>From this level (3000), all eight RAM tests are selected in turn. An individual RAM test maybe run by selecting test levels 3100 to 3800.</p> <p style="text-align: center;">NOTE</p> <p><i>An internal jumper, J156 (A13 Side board), must be removed before test levels 3700 and 3800 maybe run. If the jumper is removed and test levels 3700 and 3800 are run, loss of power during while they are running can result in loss of internal calibration constants. In that event, a partial recalibration is required (see information regarding power loss while running SELF CAL under "Diagnostics Test and Calibration Failures" in this section). Run these tests only if necessary.</i></p> <table style="margin-left: auto; margin-right: auto;"> <tr> <td>3100A11U431</td> <td>3500A11U600</td> </tr> <tr> <td>3200A11U440</td> <td>3600A12U440</td> </tr> <tr> <td>3300A12U350</td> <td>3700A12U664</td> </tr> <tr> <td>3400A11U430</td> <td>3800A12U664</td> </tr> </table> <p>Each RAM test (levels 3100-3800) is comprised of the four following subparts:</p> <p>A logic one is shifted left through a field of logic zeros while incrementing the address (the "-" TRIGGER SLOPE LED is lit).</p> <p>A logic one is shifted right through a field of logic zeros while decrementing the address (the "+" TRIGGER SLOPE LED is lit).</p> <p>A logic zero is shifted left through a field of logic ones while incrementing address (the "-" TRIGGER SLOPE LED is lit).</p> <p>A logic zero is shifted right through a field of zeros while decrementing the address (the "+" TRIGGER SLOPE LED is lit).</p> <p>Running level 3000 causes all four parts of the test to be performed on all 8 RAMs (sublevels 3100-3800), while running an individual sublevel test causes the four-part test to be performed on the corresponding RAM device.</p> <p>Running a sublevel test from 3X10 to 3X40 (where X = 1-8) runs the part (out of four parts) Indicated by the test label (for instance, "3340 1 ← 0S" runs the test that shifts logic 0 left in a field of logic ones for an incrementing address on U350).</p>	3100A11U431	3500A11U600	3200A11U440	3600A12U440	3300A12U350	3700A12U664	3400A11U430	3800A12U664
3100A11U431	3500A11U600								
3200A11U440	3600A12U440								
3300A12U350	3700A12U664								
3400A11U430	3800A12U664								
<p>3100 A11U431</p>	<p>RAM U431 (fig. FO-24, sheet 1) troubleshooting Procedure:</p> <p>f test = FAIL then look for failure and correct using the following steps:</p> <p>Using the CH 1 probe:</p> <ol style="list-style-type: none"> <li>1. Run test 3110 in Continuous mode and check for activity on the chip select line to U431 (CSY, pin 18). if active, trigger the test scope on the signal. if no chip select, work backwards and find problem.</li> </ol>								

**Table 6-6**  
**OS-291/G Troubleshooting Procedures (cont)**

<b>7. EXTENDED DIAGNOSTICS (cont)</b>	
<p>3100 A11U431 (cont)</p>	<p>Using the CH 2 probe:</p> <ol style="list-style-type: none"> <li>2. Check for activity on the write enable line to U431 (WE, pin 21) and note that it is LO at the same time as the chip select line. If no signal present, work backwards and find the problem.</li> <li>3. Check for activity on the output enable line to U431 (OEY, pin 20). If none, work backwards and find the problem.</li> <li>4. Check the data I/O pins of U431 (pins 9, 10, 11, 13, 14, 15, 16, and 17) for activity when test 3100 is selected. If no activity when OEY (output enable) is LO (pin stuck HI or LO), then suspect U322; otherwise suspect U431.</li> </ol>
<p>3200 A11U440</p>	<p>RAM U440 (fig. FO-24, sheet 2)</p> <p>Troubleshooting Procedure:</p> <p>If test = FAIL then look for failure and correct using the following steps:</p> <p>Run test 3210 in CONTINUOUS mode.</p> <p>Using the CH 1 probe:</p> <ol style="list-style-type: none"> <li>1. Check for activity on the chip select line U440 (<math>\overline{CSX}</math>, pin 18) and trigger the scope on the CH 1 signal. If none, work backwards and find the problem.</li> </ol> <p>Using the CH 2 probe:</p> <ol style="list-style-type: none"> <li>2. Check for activity on the write enable line U440 pin 21, and note that it is LO at the same time as the chip select line. If none, work backwards and find the problem.</li> <li>3. Check for activity on the output enable line U440 pin 20. If none, work backwards and find the problem.</li> <li>4. Check the data I/O pins of U440 (pins 9, 10, 11, 13, 14, 15, 16, and 17) for activity when test 3210 is selected. If no activity (stuck HI or LO) when output enable is LO, then suspect U314; otherwise suspect U440.</li> </ol>
<p>3300 A12U350</p>	<p>RAM U350 (fig. FO-6, sheet 2)</p> <p>Troubleshooting Procedure:</p> <p>If test = FAIL then look for failure and correct, using the following steps:</p> <p>Select test 3310 and RUN CONTINUOUSLY.</p> <p>Using the CH 1 probe:</p> <ol style="list-style-type: none"> <li>1. Check for activity on the chip select line to U350 pin 20, and trigger the scope on the signal if active. If no chip select, work backwards through the chip select circuitry and find the problem.</li> <li>2. Check for activity on the write enable line to U350 (<math>\overline{WRR}</math>, pin 27) and note that it is LO at the same time as the chip select line. If no activity, work backwards and find the problem.</li> <li>3. Check for activity on the output enable line to U350 (<math>\overline{WRD}</math>, pin 22). If no activity, work backwards and find the problem.</li> <li>4. Check the data I/O pins of U350 (pins 9, 10, 11, 13, 14, 15, 16, and 17) for activity when test 3400 is selected. If no activity (stuck HI or LO) when output enable is LO, then suspect buffer U352; otherwise suspect U350.</li> </ol>



**Table 6-6**  
**OS-291/G Troubleshooting Procedures (cont)**

<b>7. EXTENDED DIAGNOSTICS (cont)</b>	
3400 A11U430	RAM U430 (fig. FO-24, sheet 2) Troubleshooting Procedure: if test = FAIL then look for failure and correct using the following steps: Run test 3410 in Continuous mode. Using CH 1 probe: 1. Check the write enable to U430 ( $\overline{WRA}$ , pin 8) for activity and trigger on the signal if active. if no activity, troubleshoot OR gate U422A and U422C and their input signals. Check that pin 10 is LO; if not, repair. Using the CH 2 probe: 2. Check for activity at the data input to U430 (DI, pin 11) is timed with the enable pulse. if no signal, suspect U423A or U422B. 3. if the checks in Steps 1 and 2 are ok, replace U430.
3500 A11U600	ACQUIRE RAM U600 (fig. FO-16, sheet 1) Troubleshooting Procedure: If test = FAIL then look for failure and correct, using the following steps: Run test 3510 in Continuous mode. 1. Check for LO on chip select line U600 pin 18. Repair if not LO. 2. Check for activity on the write enable line to U600 ( $\overline{WE}$ , pin 21). If no activity, work backwards and find the problem. 3. Check for activity on the output enable line to U600 ( $\overline{OE}$ , pin 20). if no activity, work backwards and find the problem. 4. Check the data I/O pins of U600 (pins 9, 10, 11, 13, 14, 15, 16, and 17) for activity when test 3500 is selected. if no activity (stuck HI or LO) when the output enable is LO, then suspect buffer U610; otherwise suspect U600.
3600 A12U440	CMD/TMP RAM U440 (fig. FO-6, sheet 2) <p align="center"><b>NOTE</b></p> <p align="center"><i>If tests 3300 through 3600 all fail, the most /ike/y faults are: a stuck data line to U352, a bad select signal to U352, or Waveform Data Buffer U352 itself.</i></p> Troubleshooting Procedure: If test = FAIL then look for failure and correct, using the following steps: Run test 3610 in the Continuous mode. Using the CH 1 probe: 1. Check for activity on the chip select line to U440 pin 20, and trigger the scope on the signal if active. if no activity, work backwards through U250C and find the problem. Using the CH 2 probe: 2. Check the data I/O pins of U440 (pins 11, 12, 13, 15, 16, 17, 18, and 19) for activity. If no activity when output enable is LO, then suspect U440; otherwise check U352.

**Table 6-6**  
**OS-291/G Troubleshooting Procedures (cont)**

**7. EXTENDED DIAGNOSTICS (cont)**

3700 or 3800 A12U664	SYSTEM RAM U664 (fig. FO-5, sheet 1) <p style="text-align: center;"><b>NOTE</b></p> <p><i>The test of RAM device U644 is divided into two test /eve/s, 3700 and 3800. The sections of U644 that maybe accessed depend on the condition of the B3USREQ output of U860. With BUSREQ set HI, the 8 Kby 8 memory space corresponding to addresses 7000H to 8FFFH is the only space available; with BUSREQ set LO, the 24 K by 8 memory space corresponding to addresses 0000H to 5FFFH are both available. Leve/ 3700 tests the 7000H to 8FFFHblock while level 3800 tests the 0000H-5FFFblock resulting in the entire 32 K by 8 RAM being tested. The Troubleshooting Procedure that follows applies to both test levels.</i></p> <hr/> troubleshooting Procedure: <p style="text-align: center;"><b>NOTE</b></p> <p><i>if the System Ram data bus, chip selects, or output enable lines are defective, the System Microprocessor cannot run the the diagnostics testing. Therefore, if test 3700/3800 fails, the most likely problem is U664. If the diagnostics tests do not run, the Kernel test will have to be used to isolate a system bus or address decoding problem. An NVRAM failure due to stored data being scrambled requires a "COLD START" to reload the NVRAM with correct nominal values. The COLD START should be followed by a SELF CAL and then an EXTENDED CAL of ATTEN, TRIGGERS, and REPET to return it to a completely calibrated state.</i></p> <p>If test = FAIL, look for failure and correct using the following steps:</p> <p>Run test 3710 or 3810 in CONTINUOUS mode.</p> <p>Using the CH 1 probe:</p> <ol style="list-style-type: none"> <li>1. Check for a LO on pin 20. If it is Hi, check back to the source of the problem starting with Q960.</li> </ol> <p>Using the CH 2 probe:</p> <ol style="list-style-type: none"> <li>2. Check for activity on the write enable line pin 27.</li> <li>3. Check for activity on the output enable line pin 22.</li> <li>4. Check the data I/O pins (pins 11, 12, 13, 15, 16, 17, 18, 19) for activity.</li> <li>5. Check the data 1/O pins (pins 11, 12, 13, 14, 15, 16, 17, 18) of U660 for activity. If not active, check its write enable and output enable lines (pins 1 and 19).</li> </ol>
-------------------------	--

**Table 6-6**  
**OS-291/G Troubleshooting Procedures (cont)**

<b>7. EXTENDED DIAGNOSTICS (cont)</b>	
4000 FPP	<p>Front Panel Microprocessor U700 (fig. FO-8)</p> <p>Testing Method:</p> <p>The Front Panel Processor test first sets all test results to NULL. Any failure to complete all the tests will result in a locked front panel. Depending on the nature of the failure, the Trigger LEDS maybe latched in the first number of the test level that failed, the failure code maybe flashed out on the LEDs (if it is the first failed test), or it may make it through the diagnostic, but with the FPP test marked FAIL. That information will help to isolate which circuitry maybe defective and gives the starting point in troubleshooting a failure. It will be necessary to turn off the scope and turn it back on again to repeat the diagnostic testing from the front panel; however, testing may be done using GPIB diagnostic test commands.</p> <p>The Front Panel Microprocessor internal diagnostics require that the Microprocessor be re-set. Therefore, the structure of the FPP tests is such that the Microprocessor is initialized when completed. This requires that ALL of the tests be run in order. Therefore, ail tests will be run even though it appears that only a sub-test is being executed.</p> <p>Test Steps:</p> <p>4100 U861 pin 9 should be reset to its LO state via U862B and U862A.</p> <p>4200 U861 pin 6 should be reset to its HI state via U862C and U862D.</p> <p>4300 U861 (WR TO HOST, pin 11) should clock pin 9 Hi.</p> <p>4400 U700 (Front Panel Microprocessor) checks its internal RAM, ROM, Timer, and A/D. Any failure will set the test result to FAIL.</p> <p>4500 U861 (FPDNRD, pin 3) should clock pin 6 LO.</p> <p>4600 U742 and U751. Four bit patterns are written to the FPP and echoed back. If these are not returned properly, the test result = FAIL.</p> <hr/> <p>Troubleshooting Procedure:</p> <p>Failure of one of the Front Panel Microprocessor tests maybe indicated only by flashing out the failed test number on the Trigger LEDs, but if the diagnostic testing can continue past the failure, the Extended Diagnostic menu will be seen with the FPP test marked FAIL. The usual result of a Front Panel Microprocessor failure is a locked up Front Panel (the buttons and pots will not be functional). To rerun the diagnostic testing from the front panel to check the Trigger LEDs for the failed test number, it is necessary to turn off then turn back on the scope.</p> <p>Troubleshooting Front Panel Microprocessor U700:</p> <ol style="list-style-type: none"> <li>1. Check pin 5 for the 4 MHz clock.</li> <li>2. Check pin 4 for +5 V, pin 1 for ground.</li> <li>3. Check pins 8, 14, 16, 17, 19,31, and 32 for +5 V and pins 6,7, and 20 for ground.</li> <li>4. Perform the Front Panel Processor test if all the checks in steps 1,2, and 3 were ok. If not, troubleshoot any problem area found by the checks.</li> </ol> <hr/> <p>Front Panel Processor Test:</p> <ol style="list-style-type: none"> <li>1. Turn off power and short pins 1 and 2 of J155 together. (The pins must remain shorted together during power-on.) This places the Front Panel Microprocessor in the continuous self-diagnostic mode (Test 4400). Connect a test scope to view the signal present on pin 14 of U700.</li> <li>2. Turn the power back on and observe the signal at pin 14. See test waveform illustration of Figure 6-9 for correct waveshape and timing.</li> </ol>

Table 6-6  
OS-291/G Troubleshooting Procedures (cont)

7. EXTENDED DIAGNOSTICS (cont)

4000  
FPP (cont)

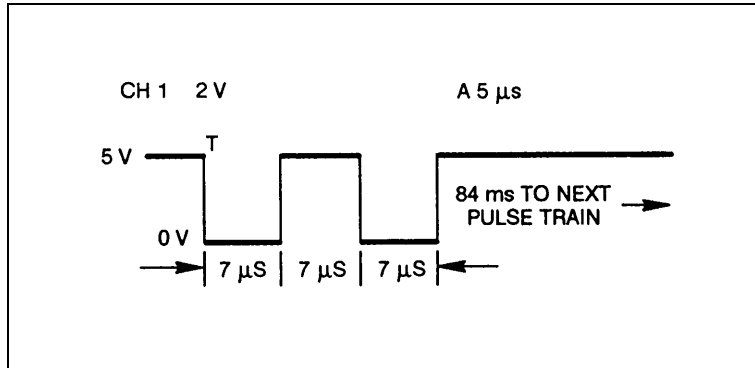


Figure 6-9. Front Panel Microprocessor diagnostics test.

1. If the test waveform is not present and the supply voltage, the ground, and the clock are correct, change the Front Panel Microprocessor, U700; it is possibly defective.

If the Front Panel Microprocessor checks out ok, turn off the power and remove the jumper connected for the preceding Front Panel diagnostic test. Turn the scope back on and perform the following circuit checks for any of the Front Panel tests that failed when running the Extended Diagnostics via the GPI B. Use the circuit checks to isolate the problem in the associated circuitry. IF THE FPP Diagnostics TEST FAILED, THE ONLY WAY TO RUN THESE TESTS WILL BE VIA GPIB, AS THE FRONT PANEL WILL NOT RESPOND TO BUTTON PRESSES. To gain access to the scope via the GPIB when the EXT DIAG menu is being displayed, a MENU OFF command must be sent to exit extended diagnostics.

**NOTE**

*Since the Front Panel Microprocessor is being reset in this test, there is no way to HALT if one chooses a CONTINUOUS loop mode and runs the tests from the Front Panel. However, to allow access to these features for any possible troubleshooting, looping has not been disabled. ONCE A TEST IS INVOKED IN CONTINUOUS MODE, A POWER OFF/ON CYCLE MUST BE USED TO EXIT FROM THE FRONT PANEL. Via the GPIB, the tests may be started and halted by sending the appropriate commands.*

Set up the test scope as in Step 1 of the 2110 troubleshooting procedure.

Run tests 4100 through 4600 in Continuous mode. Use the CH 2 probe for the following checks while the specific test is selected and running.

4100 U861 (FPINT, pin 9):

1. Check U862A pin 1 for 0.2 μs negative strobe during the HI period of the trigger strobe. if not present, replace U862.
2. Check U861 pin 9 for a Hi-to-LO transition. if not occurring, replace U861.

4200 U861 (FPDNRD, pin 6):

1. Check U861 pin 1 for a negative strobe during the HI period of the trigger strobe. if not present, replace U862.
2. Check U861 pin 6 for a LO-to-Hi transition from the strobe at U861 pin 1. if occurring, replace U861.

**Table 6-6  
OS-291/G Troubleshooting Procedures (cont)**

<b>7. EXTENDED DIAGNOSTICS (cont)</b>	
<p>4000 FPP (cont)</p>	<p>4300 U700 (WR TO HOST, pin 12):</p> <ol style="list-style-type: none"> <li>1. Check that U861 pin 9 has a HI pulse. If not, select 50 ms/div and ENVELOPE acquisition mode on the test scope; then, run test 4000 for the scope under test. At pin 12 of U700, check for a strobe occurring near the falling edge of the trigger strobe. If the strobe is ok, replace U861. If missing, test for 4 MHz at U700 pin 5 and replace U700 if the 4 MHz clock is ok.</li> </ol> <p>If the 4 MHz clock is missing, troubleshoot the clock source. Restore the prior test scope set-up as for test 2110 (a good use for the AutoStep Sequencer if using a OS-291/G as the test scope.)</p> <hr/> <p>4400 DIAG BYTE U700:</p> <ol style="list-style-type: none"> <li>1. Check that the enable pulse to U751 (pins 1 and 19) is present and save to REF1. If not present, check for an open between U862A pin 1 and U751 pins 1 and 19.</li> <li>2. Display REF1 and probe U751 (pins 18, 16, 14, and 12). These should all be LO during the time U751 is enabled. If not LO, it indicates either a problem in U700 or an invalid dc voltage level at one of the U700 inputs. If one of these four diagnostic bits is HI and the supply pins, etc., are ok, replace U700.</li> </ol> <hr/> <p>4500 U700 (FPDNRD, pin 13):</p> <ol style="list-style-type: none"> <li>1. Select the 1/2 TRIG POSITION and set the Sec/Div setting to 1 ms on the test scope. Check for the FPDNRD clock pulse to U861 at pin 3 (leads the trigger strobe rising edge about 120 µs). If missing, replace U700.</li> <li>2. Check for LO at U861 pin 6; replace U861 if pin 6 is H1.</li> <li>3. Check A12U654 pin 13 for LO. Replace A12U654 if pin 13 is LO and test is failing.</li> </ol> <hr/> <p>4600 U742/U751 :</p> <ol style="list-style-type: none"> <li>1. Check for a pattern of 10100101 at U742 (pins 19, 16, 15, 12, 9,6,5, and 2) at the rising edge of the trigger strobe (Word Recognize Probe is useful for this check). If not, and U742 pin 11 is LO, then replace U742. If U742 pin 11 is HI, replace U700.</li> <li>2. Check the enable pulse at U751 pins 1 and 19. Save and move to REF1.</li> <li>3. Display REF1 and check for a 10100101 pattern coincident with the enable pulse at U751 pins 17, 15, 13,11,8,6,4, and 2. If not ok, replace U700.</li> <li>4. Display REF1 and check for a 10100101 pattern coincident with the enable pulse at U751 (pins 3,5,7,9,12,14,16, and 18). If not ok, replace U751.</li> </ol>
<p>4700 BATT STATUS</p>	<p>Battery Status (fig. FO-5, sheet 1)</p> <p>Testing Method:</p> <p>There is no hardware exercised for this test. The operating system is informed by the Front Panel Processor if the Battery Status voltage is either high or low. The "test" is to read a memory location where the System Processor has stored the status after checking with the FPP. If the status is unknown, the result is NULL. If the test "passes," it means that it is not defective in that direction.</p>

**Table 6-6**  
**OS-291/G Troubleshooting Procedures (cont)**

**7. EXTENDED DIAGNOSTICS (cont)**

<p>4700 BATT STATUS (cont)</p>	<p>Troubleshooting Procedure:</p> <p>4710 HIGH:</p> <p>Either the voltage is really high or the detection circuitry is defective.</p> <ol style="list-style-type: none"> <li>1. Check for + 5 Vat pin 3 of U940A.</li> <li>2. If ok, test for the same voltage at U700 pin 21 (fig. FO-8). if ok there, replace U700. if voltage is wrong at pin 21, backtrack to the problem component (suspect U940).</li> </ol> <hr/> <p>4720 LOW:</p> <p>Either the voltage is low or the detecting circuit is defective.</p> <ol style="list-style-type: none"> <li>1. Check for + 5 Vat pin 3 of U940A.</li> <li>2. If ok, test for the same voltage at U700 pin 21 (fig. FO-8). if ok there, replace U700. if voltage is wrong at pin 21, backtrack to the problem component (suspect U940).</li> </ol>
<p>5000 WP U470</p>	<p>Waveform Microprocessor U470 (fig. FO-6)</p> <p>Testing Method:</p> <p>The nature of these tests is such that all tests must be executed in order and may not be individually executed. Therefore, any attempt to execute one test will result in all tests being executed.</p> <p>The Waveform Processor test first sets all test results to NULL. Any failures will be fatal in terms of instrument operation; however, the last test that was executed will be set FAIL and should help in diagnosing the cause of the problem.</p> <p>The Waveform Processor command memory has been checked out by this time as well as the bus structure that permits the System Processor to control the Waveform Processor bus.</p>
<p>5100 RUN-TASK</p>	<p>Testing Method:</p> <p>Loads a task into Command Memory U440 and tells the Waveform Microprocessor to execute it. A 30 ms timeout is executed; and then, INTREG (bit 0) is tested for WPDN. if it has not been set, the task did not execute and terminate properly. if 5100 fails, it could be the Waveform Processor code ROMs, or the Waveform Microprocessor itself (U470), In any event, the Waveform Processor Kernel tests will need to be run to diagnose the source of the problem.</p> <hr/> <p>Troubleshooting Procedure:</p> <p>Use the Waveform Processor Kernel test in Procedure 8 to troubleshoot for a Processor fault or a fault on the Waveform Microprocessor address or data bus.</p>

**Table 6-6**  
**OS-291/G Troubleshooting Procedures (cont)**

<b>7. EXTENDED DIAGNOSTICS (cont)</b>	
5200 BUSGRANT	<p>Testing Method:</p> <p>This test executes a bus request by setting bit D5 (pin 14) of PCREG U860 (fig. FO-5, sheet 2) HI, delaying 10 ms, and checking bit D6 of INTREG (Interrupt Register) U654 to see if a BUS-GRANT has occurred.</p> <hr/> <p>Troubleshooting Procedure:</p> <p>Set up the test scope as in Step 1 of the 2110 troubleshooting procedure.</p> <p>Run test 5200 in CONTINUOUS mode. Using the CH 2 Probe:</p> <ol style="list-style-type: none"> <li>1. Check U860 pin 15 for LO-to-Hi transition. If not occurring, replace U860.</li> <li>2. Check U332D pin 13 (fig. FO-6, sheet 1) for LO-to-Hi transition. If not occurring, replace Waveform Microprocessor U470.</li> <li>3. Check U332D pin 11 for LO-to-Hi transition. If not gating, replace OR-gate U332.</li> </ol>
5300 VERSION-CHK	<p>Waveform Processor ROM U480 and U490 (fig. FO-6, sheet 2)</p> <p>Testing Method:</p> <p>The version number in the header is preset to “?” and is filled in by this test. If the test fails, the “?” will remain in the header for further indication of an error. A Waveform Microprocessor reset causes the Waveform Microprocessor to read the version number bytes of the Waveform Microprocessor code. If the version number is incorrect, the Waveform Microprocessor code is incompatible with the System Microprocessor code and may not execute properly.</p> <hr/> <p>Troubleshooting Procedure:</p> <p>If test 5300 fails, replace Waveform Processor ROMs U480 and/or U490 with the correct ones for the version of System Microprocessor code being used.</p>
6000 CK SUM-NVRAM	<p>Nonvolatile RAM Checksum U664 (fig. FO-5, sheet 1)</p> <p>Testing Method:</p> <p>Some of the CRCCs (check sums) are computed at power-down and will be valid only at power-up. Therefore, executing tests 5000 through 5003 will only display the flags that resulted from power-up diagnostics.</p> <p align="center"><b>NOTE</b></p> <p><i>FAIL and PASS flags in the Extended Diagnostics menu show the results of the last test run. If a defective device that has previously caused a FAIL flag to be set is replaced, the test must be run again to obtain a PASS indication in the menu.</i></p> <p>When the instrument is SELF CALIBRATED, a CRCC is calculated and stored for the Calibration Constants in NVRAM.</p> <p>When power-down is executed, the values of the front panel variables have a CRCC calculated and stored.</p> <p>When a waveform is saved, the CRCC is calculated for the waveform and headers and saved.</p> <p>On power-up, all of these are recalculated and compared to the stored CRCC word. If they do not agree, that test fails.</p>

**Table 6-6**  
**OS-291/G Troubleshooting Procedures (cont)**

<b>7. EXTENDED DIAGNOSTICS (cont)</b>	
6100 CAL CONSTANTS	<p>Calibration Constants</p> <p>Troubleshooting Procedure:</p> <p>If FAIL, the calibration constants have been lost and a COLD START is executed. The instrument must be recalibrated to return to calibrated operation after a COLD START.</p> <p>A failure of 6100 is serious to the normal operation of the OS-291/G, and the cause of the failure should be found and corrected to prevent reoccurrence.</p> <ol style="list-style-type: none"> <li>1. Check the components that connect the + 5 V to the NVRAM at power-off and power-on respectively.</li> <li>2. Test several times by cycling the power after the instrument has completed its self testing. If the test continues to fail, check the PWRUP line to U640 pin 2, and ensure that it is reset LO when the power line voltage drops below the minimum line voltage. If this line does not go LO soon enough, the power-down routines will not calculate the current check sums before the power is completely lost.</li> </ol>
6200 FPLAST	<p>Front Panel Control Settings</p> <p>Troubleshooting Procedure:</p> <p>If the last front panel settings have been lost, the instrument will be set up in the I NIT PANEL configuration in the AutoStep Sequence menu (push PRGM).</p> <p>If this event is due to a component failure, the RAM test (3700 and/or 3800) or BATT STATUS test (4700) should also have failed. Check NVRAM device U664 and associated circuitry or the Battery Status circuit as appropriate.</p>
6300 WFM HEADERS	<p>Waveform Data</p> <p>Troubleshooting Procedure:</p> <p>The reference waveform memories will be declared EMPTY if the WFM HEADERS do not check correctly. These waveforms are stored in A12U350. Therefore, if the problem is due to failed components, the RAM test (3300) or BATT STATUS (4700) should have failed.</p>
7000 CCD	<p>CCD/CLOCK DRIVERS U350 (CH 2) and U450 (CH 1) (fig. FO-18, sheets 1 and 2)</p> <p>Testing Method:</p> <p>These tests, if passed, indicate that the hardware is functional.</p> <p>IF A SELF DIAG OR EXTENDED DIAG TEST FAILS, ONE CANNOT ASSUME THE HARDWARE IS DEFECTIVE UNLESS THE SAME TEST FAILS A SELF CAL. The reason that SELF CAL must be run to assure a hardware failure is that SELF CAL computes new values of the constants for each test and uses them in the subsequent tests; whereas, diagnostic tests use previously stored constants for making the tests. If those stored values are not valid for the present operating temperature of the scope, the test may not be able to converge to a solution.</p> <p>The CCD has two classes of adjustments, centering and gain. In addition, several CCD parameters are measured and stored for use in Dynamic Calibration. Centering must be performed in all four acquisition modes because of offset differences in the different paths. Gain is performed in Short-Pipeline and FISO modes.</p>



**Table 6-6  
OS-291/G Troubleshooting Procedures (cont)**

<b>7. EXTENDED DIAGNOSTICS (cont)</b>	
7000 CCD (cont)	<p>Failure of Tests in 7300 and 7400</p> <p>Troubleshooting Procedure:</p> <p>The CCDS area good suspect if any of the 7000 series diagnostic tests failed, especially in the 7300 and 7400 subsets. The Extended Diagnostics menu should be examined to determine if the problem is in only one or in both of the channels. If both channels fail:</p> <ol style="list-style-type: none"> <li>1. Check the CCD clocks. To determine if a clock problem is internal or external to the CCD/Clock Driver hybrid, compare the collector voltages of Q450, Q460, Q550, and Q560 to Waveform illustration 67 (associated with fig. FO-18). If any of the clock waveforms are different, check the base of the associated transistor(s). If the base voltage is switching correctly, change the defective transistor. If not switching, trace back to the clock source from U470, the Phase Clock Array (fig. FO-19), and check there. If the clocks are not correct there, change U470.</li> <li>2. If the clocks are running correctly at the collectors of Q450, Q460, Q550, and Q560, check to see if pins 2,3,5,6, and 7 of R470 are switching correctly (compare pins 2,3,4, and 5 to waveforms 68 through 71 on fig. FO-18). If not switching correctly, check the outputs of U470 for correct clock. If not present there, troubleshoot the Phase Clock Array (U470); if ok there, find the open.</li> <li>3. If the clocks seem to be functioning normally to this point, check the shared clock signals at TP345, R366, R465, and R466. If these points are not switching, change the CCD/Clock Drivers (U350 and U450).</li> </ol> <p>If a single channel fails:</p> <ol style="list-style-type: none"> <li>1. Change the associated CCD/Clock Driver. If the problem is not corrected, troubleshoot the CCD Output circuitry.</li> </ol> <p style="text-align: center;"><b>NOTE</b></p> <p><i>If any CCD or Peak Detector is changed, do not run a SELF CAL until the CCD OUTPUT Gain has been set using the EXT CAL ADJUSTS, test pattern number 6. Adjust the X 2 division gain for the changed channel both Side 1 and Side 2 according to the directions given in the display.</i></p>
	<p>Failure of tests in 7100 or 7200</p> <p>The CCD output stage is a probable area for failure if a SELF CAL fails any of the 7100 or 7200 tests. Check these tests to see which channel did not pass, then perform the following steps.</p> <p>CCD Output Troubleshooting Procedure (fig. FO-22):</p> <p style="text-align: center;"><b>NOTE</b></p> <p><i>Channel 1 components are reference (Channel 2 components are in parentheses).</i></p> <ol style="list-style-type: none"> <li>1. Input the OS-291/G calibrator signal to the channel that is not operating properly. If neither is working, start with CH 1. CH 1 components will be referenced, with the CH 2 circuit numbers given in parentheses. Set the bad channel to 100 mV/div, DC coupled, with 50 <math>\Omega</math> termination off. Adjust the screen waveform so the ground dot on the scope under test is 2 divisions below center screen if possible. Set the input coupling of the other channel to ground. Turn the A SEC/DIV to 5 <math>\mu</math>s.</li> </ol>

**Table 6-6  
OS-291/G Troubleshooting Procedures (cont)**

**7. EXTENDED DIAGNOSTICS (cont)**

<p>7000 CCD (cont)</p>	<ol style="list-style-type: none"> <li>2. Verify that pins 1 and 5 (the CCD outputs) of R876 (R886) look similar to waveform illustration 104 (fig. FO-22), with center screen being + 5 V. if these waveforms do not appear, troubleshoot the CCD/Clock Drivers. Verify that pins 3 and 7 of R876 (R886) resemble waveform 105. Again, if this waveform does not appear, go to the CCD/Clock Driver troubleshooting.</li> <li>3. Examine pin 1 of U770A and U870A (U780A and U880A). The input waveform should have an offset of + 7.5 V, which is center screen in waveform illustration 106. If this waveform does not look right, check the parts in this section for failures.</li> <li>4. Compare pins 1 and 8 of U560 (pins 9 and 16 for channel 2) to waveform 107. If this waveform does not appear, check to see that pins 3 and 6 of U560 are switching between O and +15 V. if they are, then the switch (U560) is bad. if they are not switching, check to see if the base of Q660 (Q670) is switching between 0.5 V and O V. If it is, the transistor is bad. If it is not, trace OSAM1 (OSAM2) back to the A1 Time Base board.</li> <li>5. Observe the voltage at pin 7 of U770 and U870 (U780 and U880). it should be similar to waveform 110, except that an offset of up to ± 1.3 V may appear. If this is not the result, check the + 9 V and the centering voltage (7.5 V ± 1.3 V). If the voltages are correct, check U770 and its associated transistors and other components for failure.</li> <li>6. Check the collectors of Q770 and Q870 (Q780 and Q880). These should look like waveform 109, where center screen corresponds to ground. if they do not, make sure the bases are switching on and off. if they are switching and a collector is not, check the transistor for a collector-to-emitter short. If not switching on the base, trace the associated DS signal back to the A11 Time Base board. The timing relationships of the OSAM and the DS signals are shown in waveform illustrations 45 through 51 of the System Clocks (fig. FO-15).</li> </ol>
<p>7300 EFFICIENCY</p>	<p>CCD/CLOCK DRIVERS U350 and U450 (fig. FO-18, sheets 1 and 2)</p> <p>Testing Method:</p> <p>This test measures the transfer efficiency of the CCD by comparing the gain of columns 2 and 16 of the CCD B register arrays. To do this, a ± 4 division input is applied to the Peak Detector calibration inputs and acquired. Efficiency loss and apparent offset for the gain are both calculated and stored for use in dynamic data correction. Efficiency loss of more than 6 0/0 will cause an error to be flagged. Testing is performed at two SEC/DIV settings (2 µs and 500 ns) on all four CCD channels.</p> <p>Troubleshooting Procedure:</p> <p>If all other tests are ok, the most probable cause of failure is a defective CCD; replace the failed CCD.</p>
<p>7400 PDOFFSET</p>	<p>PEAK DETECTORS U340 (CH 2) and U440 (CH 1) (fig. FO-18, sheets 1 and 2)</p> <p>Testing Method:</p> <p>This test is to check the match of the offsets of the two paths through the peak detectors. A O V cat signal input (DAC value = 2048) is acquired and the A and B peak detector and D and C peak detector pairs (see Figure 3-5 in Section 3 of this manual) are matched by iteratively adjusting the appropriate PDOS (peak-detector offset) DACs and re-measuring the difference until offsets are matched. If matching cannot be accomplished within 1/2 DL for calibration or 1 DL for diagnostics, the test terminates due to acquisition count, and the test result is set to FAIL; otherwise, it passes.</p>

**Table 6-6**  
**OS-291/G Troubleshooting Procedures (cont)**

<b>7. EXTENDED DIAGNOSTICS (cont)</b>	
7400 PDOFFSET (cont)	<p>The SPECIAL menu choices under Extended Functions provide a diagnostic switch to divide the signal acquisition path. CAL PATH ON/OFF turns on or off the calibration signal path to the Peak Detectors. It is a useful diagnostics device in the event that large offset errors have driven the display off-screen. Switching CAL PATH ON eliminates the Attenuators and Preamplifiers from the input signal path and places the calibration reference level on the display. If that brings the display back on screen, then the offset problem maybe isolated to the Attenuators or Preamplifiers; if not, then the problem maybe in the Peak Detectors or CCDS. With CAL PATH ON, the FORCE DAC test maybe used to check the operation of the Peak Detectors and CCDS using the CURS (CAL) adjustment.</p> <p>Troubleshooting Procedure:</p> <ol style="list-style-type: none"> <li>1. Do a COLD START and use the Force DAC Test in Procedure 4 to determine if the DAC system can control the PD-OFFSET voltages (PD11, PD13, PD21, and PD23) correctly. If not, troubleshoot the DAC system.</li> <li>2. If the DAC system is functioning normally, the most probable cause of a failure is a faulty Peak Detector. Replace the Peak Detector of the failing channel.</li> </ol> <p align="center"><b>NOTE</b></p> <p><i>If any CCD or Peak Defector/s changed, do not run a SELF CAL until the CCD OUTPUT Gain has been set using the EXT CAL ADJUSTS, test pattern number 6. Adjust the X 2 division gain for the changed channel, Side 1 and Side 2, according to the directions given in the display.</i></p>
8000 PA	<p>Preamplifiers U320 (CH 2) and U420 (CH 1) (fig. FO-17, sheets 1 and 2)</p> <p>Testing Method:</p> <p>The PA tests, if passed, indicate that the analog acquisition circuitry is functional.</p> <p>IF A SELF DIAG OR EXTENDED DIAGTEST FAILS, ONE CANNOT ASSUME THE HARDWARE IS DEFECTIVE UNLESS THE SAME TEST FAILS A SELF CAL. The reason that SELF CAL must be run to assure a hardware failure is that SELF CAL computes new values of the constants for each test and uses them in the subsequent tests; whereas, diagnostic tests use previously stored constants for making the tests. If those stored values are not valid for the present operating temperature of the scope, the test may not be able to converge to a solution.</p> <p>The Preamplifier has constants for Position Offset, Position Gain, Balance, Normal and Invert Gain, and Max Variable Gain. There is some interaction between adjustments. This effect is addressed by always using the previously stored constants in any setup and executing SELF CAL twice from a COLD START to assure an iterative solution of the calibration constants.</p> <p>Troubleshooting Procedure:</p> <ol style="list-style-type: none"> <li>1. If SELF CAL fails, the calibration constants will most likely not be close enough to an operationally good value for the portions of the Preamp that work to function properly. Do a COLD START to replace the stored calibration constants with nominal values.</li> </ol> <p align="center"><b>NOTE</b></p> <p><i>After a COLD START the scope will need partial recalibration after it is repaired to return it to correct adjustment.</i></p> <ol style="list-style-type: none"> <li>2. If the 8000 level is flagged FAIL, there will be failure at one or more of the lower level tests. This is the case because one failure that misbiases the Preamp can cause several SELF CAL tests to fail.</li> </ol>

**Table 6-6  
OS-291/G Troubleshooting Procedures (cont)**

<b>7. EXTENDED DIAGNOSTICS (cont)</b>	
8000 PA (cont)	<p>3. After doing a COLD START, use the Force DAC Test (see DAC System Failure, in Procedure 4) to determine if the DAC system can control the Preamp DAC voltages correctly for the tests that are flagged FAIL. Troubleshoot the DAC system for those DAC outputs showing no or improper control.</p> <p>4. Check that the Preamp is responding to the DAC control voltage being changed. These are respectively for CH 1 and CH 2:</p> <p style="padding-left: 40px;">1POS and 2POS to pin 17 for position input.</p> <p style="padding-left: 40px;">CH1G and CH2G to pin 18 for gain control.</p> <p style="padding-left: 40px;">CH1B and CH2B to pin 2 for balance.</p> <p>The check is setup by first doing a COLD START (to again set the calibration constants to known values), and then applying a 4-division signal to the CH 1 and CH 2 vertical inputs (or to the bad channel if only one is bad). Observe the signal on the crt, if possible; otherwise, use a test scope to probe the vertical signal path to check for correct response. Since the Preamp outputs are not accessible, use the output of the Peak Detectors (U440 and U340, fig. FO-18) to verify the signal through the Preamp. The side 3 Peak Detector output for CH 1 maybe checked on R441 and R540; and for the CH 2 side 3 output, check at R244 and R341.</p> <p>Use either the Front Panel Controls or the Force DAC Test to check the VARIABLE GAIN and VERTICAL POSiTION. Balance may be varied only using the Force DAC function. Varying the channel balance should appear as a DC offset change to the vertical signal level. Prior to making any adjustments after a COLD START (either with the Front Panel controls or the Force DAC function), the signal at the output of the Peak Detectors should have a + 8.7 V DC level with an AC signal (replica of the input signal) of approximately 0.5 V peak-to-peak.</p> <p>5. The Preamplifier operating mode is set by a serial data word sent from the System Microprocessor. The CD input, pin 22 (U420 and U320, fig. FO-17), is the serial data input. A TTL level logic swing should be present on this line whenever the Attenuators, Preamps, or A/B Trigger Generator operating modes are being set up. if there are no FAIL flags under these major test categories, the CD circuitry is most likely functioning properly. The <math>\overline{CC}</math> input, pin 23, is the control clock input, and it should have a TTL level logic swing on it only when the particular hybrid, in this case the Preamp hybrid, is being set up. Check that this line is high initially and pulses LO eight times for each Preamp load cycle. (The eight pulses maybe separated into several groups of pulses.)</p> <p>6. The Preamps have bypassed and decoupled voltage supplies. Check that the bypassing components in series with the power supplies are not open. Also check that the DC bias voltages at the Preamps are approximately the levels indicated on the schematic diagram.</p> <p>7. If a Preamp hybrid itself is suspected of being defective and the other channel is fully functional, swap Preamp hybrids between channels to see if the problem moves to the other channel. If so, replace the defective Preamp. if not, check the hybrid mount connections of the defective channel for corrosion or contamination that maybe causing a poor contact.</p>

**Table 6-6**  
**OS-291/G Troubleshooting Procedures (cont)**

**7. EXTENDED DIAGNOSTICS (cont)**

<p>8100 POSITION OFFSET</p>	<p>Acquisition System Position Offset</p> <p>Testing Method:</p> <p>Position Offset is calculated at 50 mV per division only. Position offset must be performed for all four acquisition modes to compensate for the common mode offsets in the CCD arrays that are not corrected by CCD centering. After the hardware is set up and the CCD constants set for the particular mode of operation, the Preamplifier is balanced by executing the balance routine, but only changing the DAC settings – not the cal constants. This assures an accurate position measurement.</p> <p>The Position Offset is then calculated by acquiring a ground level signal and comparing the Acquisition Memory value to what a ground acquisition should be (center screen is 00h). If the value is not within 1/2 DL for calibration or 1 DL for diagnostics, the position DAC outputs (CH1-PA-POS and/or CH2-PA-POS) are adjusted to compensate. When the acquisition is within limits, the test result is set to PASS. If the position offset cannot be adjusted to within specification, the acquisition count for an abort is taken, and the test result is set to FAIL.</p> <p>Troubleshooting Procedure (refer to test 8000 for more information):</p> <ol style="list-style-type: none"> <li>1. Check that the decoupling network, R420/C423 or R222/C222 is functional.</li> <li>2. Use the Force DAC Test (see DAC System Failure, in Procedure 4) to determine if the CH1-PA-POS and/or CH2-PA-POS voltages are being controlled by the DAC System. If not, troubleshoot the DAC System.</li> <li>3. Use the SPECIAL menu choice of CAL PATH ON to determine whether the offset error is prior to the Peak Detectors or after. Troubleshoot in the appropriate direction to locate the source of the offset error.</li> <li>4. Check that the bypassing components in series with the power supplies are not open. Also check that the DC bias voltages at the Preamp are approximately the levels indicated on the schematic diagram.</li> <li>5. If a Preamp hybrid itself is suspected of being defective and the other channel is fully functional, swap Preamp hybrids between channels to see if the problem moves to the other channel. If so, replace the defective Preamp. If not, check the hybrid mount connections of the defective channel for corrosion or contamination that maybe causing a poor contact.</li> <li>6. Swap Peak Detector hybrids between channels to see if the problem channel reverses. If so, replace the faulty Peak Detector.</li> </ol>
<p>8200 POSITION GAIN</p>	<p>Preamplifier Position Gain U420 and U320 (fig. FO-17, sheets 1 and 2)</p> <p>Testing Method:</p> <p>Position Gain is calculated at 50 mV per division only, using the stored Position Offset calibration constant. The DAC counts corresponding to + 4 divisions of Position Offset are added to the Position Offset constant and an acquisition is made. After storing the results, a corresponding 4-division acquisition is made, and the two values of acquisition memory are checked for eight divisions of change in the calibration limits. The Position Gain constant is then calculated as a result of the data taken and stored as a Position Gain calibration constant. A Position Gain constant more than 20 0/0 different from the nominally expected value will cause the test to fail.</p> <p style="text-align: center;"><b>NOTE</b></p> <p style="text-align: center;"><i>POSITION GAIN is not an iterative calibration as the gain is directly calculated.</i></p>

**Table 6-6  
OS-291/G Troubleshooting Procedures (cont)**

**7. EXTENDED DIAGNOSTICS (cont)**

<p>8200 POSITION GAIN (cont)</p>	<p>Troubleshooting Procedure (refer to test 8000 for more information):</p> <ol style="list-style-type: none"> <li>1. Check that the decoupling network, R420/C423 or R222/C222 is functional.</li> <li>2. Use the Force DAC Test to determine if the CH1-PA-POS and/or CH2-PA-POS voltages are being controlled by the DAC System. If not, troubleshoot the DAC System.</li> <li>3. Check that the bypassing components in series with the power supplies are not open. Also check that the DC bias voltages at the Preamp are approximately the levels indicated on the schematic diagram.</li> <li>4. If a Preamp hybrid itself is suspected to be defective and the other channel is fully functional, swap Preamp hybrids between channels to see if the problem moves to the other channel. If so, replace the defective Preamp. If not, check the hybrid mount connections of the defective channel for corrosion or contamination that maybe causing a poor contact.</li> <li>5. Swap Peak Detector hybrids between channels to see if the problem channel reverses. If so, replace the faulty Peak Detector.</li> </ol>																		
<p>8300 PREAMP BAIANCE</p>	<p>Preamplifier Balance U420 and U320 (fig. FO-17, sheets 1 and 2)</p> <p>Testing Method:</p> <p>Balance is performed in all five Preamplifier ranges, and on both channels simultaneously. Balance is calculated by first taking a ground acquisition in non-invert. Then an acquisition is made in INVERT, and a new balance DAC voltage is calculated that will keep the trace shift between non-invert and INVERT within limits for calibration or diagnostics. This is done until balance is within specification or until the maximum number of acquisitions has been reached. If the result is within specification prior to acquisition abort, the test result is set to PASS; otherwise, it is set to FAIL.</p> <p>Balance Test Limits:</p> <table border="1" data-bbox="422 1155 1315 1249"> <tr> <td>Range</td> <td>50 mV</td> <td>20 mV</td> <td>10mV</td> <td>5 mV</td> <td>2 mV</td> </tr> <tr> <td>Cai limit</td> <td>1/2 DL</td> <td>1/2 DL</td> <td>1 DL</td> <td>1 DL</td> <td>2 DL</td> </tr> <tr> <td>Diag limit</td> <td>1 DL</td> <td>1 DL</td> <td>2 DL</td> <td>2 DL</td> <td>4 DL</td> </tr> </table> <p>Troubleshooting Procedure (refer to test 8000 for more information):</p> <ol style="list-style-type: none"> <li>1. Check that the biasing network associated with the balance input, pin 2, and pins 4,20, and 25 is functional and that the voltage levels are approximately those indicated on the schematic diagram.</li> <li>2. Use the Force DAC Test (see DAC System Failure, in Procedure 4) to determine if the CH1 BAL and/or CH2BAL voltages are being controlled by the DAC System. If not, troubleshoot the DAC System.</li> <li>3. Check that the bypassing components in series with the power supplies are not open. Also check that the DC bias voltages at the Preamp are approximately the levels indicated on the schematic diagram.</li> <li>4. If a Preamp hybrid itself is suspected of being defective and the other channel is fully functional, swap Preamp hybrids between channels to see if the problem moves to the other channel. If so, replace the defective Preamp. If not, check the hybrid mount connections of the defective channel for corrosion or contamination that maybe causing a poor contact.</li> <li>5. Swap Peak Detector hybrids between channels to see if the problem channel reverses. if so, replace the faulty Peak Detector.</li> </ol>	Range	50 mV	20 mV	10mV	5 mV	2 mV	Cai limit	1/2 DL	1/2 DL	1 DL	1 DL	2 DL	Diag limit	1 DL	1 DL	2 DL	2 DL	4 DL
Range	50 mV	20 mV	10mV	5 mV	2 mV														
Cai limit	1/2 DL	1/2 DL	1 DL	1 DL	2 DL														
Diag limit	1 DL	1 DL	2 DL	2 DL	4 DL														

**Table 6-6**  
**OS-291/G Troubleshooting Procedures (cont)**

<b>7. EXTENDED DIAGNOSTICS (cont)</b>	
8400 PREAMP GAIN and 8500 PREAMP INVERT GAIN	<p>Testing Method:</p> <p>During calibration, gain constants are computed by using the Balance control to position +2.5 and -2.5 divisions and computing the next gain DAC value until the result is set to be within specifications. For diagnostics, the swing is reduced to <math>\pm 1.5</math> divisions to allow for thermal drifts that occur due to temperature changes between power off and power on. The effects of thermal drift are especially noticeable at high vertical sensitivities. Limits are 1 DL for calibration and 2 DL for diagnostics. Gain is done for all five Preamp ranges in both normal and invert modes. Both Preamp channels are tested simultaneously. Since the transfer function of the gain control is nonlinear, correction is done iteratively either until the gain is within specifications or until the maximum number of acquisitions allowed for the test has been reached. If the result is found prior to a test abort, the test result is set to PASS; otherwise, it is set to FAIL.</p> <hr/> <p>Troubleshooting Procedure (refer to test 8000 for more information):</p> <ol style="list-style-type: none"> <li>1. COLD START and use the Force DAC test to check that the DAC system is controlling the CH1-GAIN-CAL and CH2-GAIN-CAL voltages correctly. If not ok, troubleshoot the DAC system.</li> <li>2. Check that the bypassing components in series with the power supplies are not open. Also check that the DC bias voltages at the Preamp are approximately the levels indicated on the schematic diagram.</li> <li>3. If a Preamp hybrid itself is suspected of being defective and the other channel is fully functional, swap Preamp hybrids between channels to see if the problem moves to the other channel. If so, replace the defective Preamp. If not, check the hybrid mount connections of the defective channel for corrosion or contamination that maybe causing a poor contact.</li> <li>4. Swap Peak Detector hybrids between channels to see if the problem channel reverses. If so, replace the faulty Peak Detector.</li> </ol>
8600 PREAMP VAR MAX	<p>Testing Method:</p> <p>In this test, the change in Preamp control (which will yield an attenuation of 2.75 from the Calibrated VOLTS/DIV setting) is measured on both channels at 50 mV per division in normal mode. This is done by re-performing the 50 mV non-inverted gain test seeking a value of +2.5 divided by +2.75 (+0.91) division and -2.5 divided by -2.75 (-0.91) division on the output. The difference between the resulting gain control DAC setting and the gain control DAC calibration constant is the Var Max value. Inability to achieve an attenuation factor of 2.75 is a test failure.</p> <hr/> <p>Troubleshooting Procedure (refer to test 8000 for more information):</p> <p>See the Troubleshooting Procedure for tests 8400 and 8500.</p>

**Table 6-6  
OS-291/G Troubleshooting Procedures (cont)**

**7. EXTENDED DIAGNOSTICS (cont)**

8700  
ATTENUATORS

Channel 1 and Channel 2 Attenuators AT400 and AT300 (fig. FO-17, sheets 1 and 2)

Testing Method:

THIS TEST IS ONLY PERFORMED USING EXTENDED Calibration. With the Preamplifier set to 50 mV non-inverted, the Preamplifier gain test is repeated interactively using standard DC test voltages applied to the CH 1 and CH 2 inputs. By adjusting the Preamplifier balance to give 2 divisions, the output is swung between 2 (input grounded), and + 2 (input set to 0.2 V per div), divisions. The gain control DAC is adjusted to achieve an output within specifications. The difference between the resulting control DAC setting and the gain calibration constant measured at 50 mV per division (non-inverted) is the attenuator gain constant. If a solution cannot be found, or if the resulting solution is more than a 20% gain error, the test result is set to FAIL. If the test fails, an attenuator gain of 0 (nominal) is stored for the calibration constant under the assumption that the test setup maybe in error. The test is repeated for all three vertical attenuators (1X, 10X, and 100X) using input test voltages of 0.2 V DC, 2 V DC, and 20 V DC.

Troubleshooting Procedure:

1. Check that the correct test voltages are used for the ATTEN calibration step.
2. Check that one audible click is heard when changing the VOLTS/DIV setting between 50 mV and 100 mV (10X attenuation) and between 500 mV and 1 V (100X attenuation). Also check that one audible click is heard when changing the Vertical input coupling between DC and AC, and when turning the 50  $\Omega$  input ON and OFF. Several clicks will normally be heard when switching in and out of GND Coupling.
3. If one and only one audible click was heard for each of the first four Front Panel changes above, then the circuitry that drives the four mag latch relays in each attenuator is functioning properly by switching the individual relays to the opposite latched position (the audible click).
4. Connect the output of a Standard Amplitude Generator to the vertical input of the failing channel using a coaxial cable with no terminator. Set the Standard Amplitude Generator output and the VOLTS/DIV setting on the scope to the values given in the following table and check the signal path between the Attenuator and the Preamplifier input of the failed channel. With a 10X probe on the test scope, view the signal at the Preamp input pin. Use NOISE REJ Trigger Coupling and 20 MHz Bandwidth on the test scope to clear up the trace noise and obtain a stable trigger. If only one channel is bad, the other channel of the scope may be used to view the signal. The signal amplitude out of the Attenuator and into the Preamp should be approximately 50 mV peak-to-peak for each attenuator setting in the three ranges. A possible, but unlikely, source of a failure that is not in the signal path between the Attenuator and the Preamp is a shorted capacitor (C414 or C311) connecting to the Attenuator.

**ATTENUATOR CHECK**

Signal In	VOLTS/DIV	Signal Out
50 mV	2 mV to 50 mV	50 mV
0.5 V	100 mV to 500 mV	50 mV
5V	1V to 5 V	50 mV

5. If one channel shows PASS flags on all the ATTEN tests, swap the Preamps between channels to determine if the Preamplifier inputs are ok. If that swaps the problem, replace the faulty Preamp. If the problem remains in the same channel, replace the defective Attenuator.



**Table 6-6  
OS-291/G Troubleshooting Procedures (cont)**

<b>7. EXTENDED DIAGNOSTICS (cont)</b>	
<p>8700 ATTENUATORS (cont)</p>	<p>6. if none or only some audible clicks were heard, and assuming the Attenuator Register and Preampifier tests passed the Power On SELF TEST or a subsequent EXTENDED Diagnostic test, troubleshoot the magnetic latch buffers (U510 and U220) and the latching circuitry (Q620, Q621, U520, and associated components) on fig. FO-17.</p> <p>7. Check the ATTEN CLK line for the presence of a signal at the times when an audible click should be heard.</p> <p>8. Shift Registers U221 and U511 are assumed functional with proper input signals if there is a PASS flag present at the 2520 level of the Extended Diagnostics menu after performing the EXT DIAG diagnostics test. Otherwise, troubleshoot the Shift Registers for the source of failure.</p>
<p>9000 TRIGGERS</p>	<p>A/B Trigger Generator U150 (fig. FO-19)</p> <p>Testing Method:</p> <p>The Triggers tests, if passed, indicate that the analog trigger circuitry is functional.</p> <p>IF A SELF Diagnostic OR EXTENDED Diagnostic TEST FAILS, ONE CANNOT ASSUME THE HARDWARE IS DEFECTIVE UNLESS THE SAME TEST FAILS A SELF CAL. The reason that SELF CAL must be run to assure a hardware failure is that SELF CAL computes new values of the constants for each test and uses them in the subsequent tests. Whereas, diagnostic tests use previously stored constants for making the tests. If those stored values are not valid for the present operating temperature of the scope, the test may not be able to converge to a solution.</p> <p>Triggers have constants for offset and gain. The value of Level DAC output that caused the trigger to change state is assumed to be the upper hysteresis level in plus slope and the lower hysteresis level in negative slope.</p> <p style="text-align: center;"><b>NOTE</b></p> <p style="text-align: center;"><i>TRIGGER MODE is set to A and B to program ATG out put to be the AND of A and B trlggers. Thus ATG may be tested as an Indicatlon that triggering has occurred. This requires that BOTH A AND B TRIGGERS MUST BE FUNCTIONAL TO GET EITHER TEST RESULT TO PASS.</i></p> <hr/> <p>Troubleshooting Procedure:</p> <p>External and internal Trigger Path (common circuitry):</p> <p>1. For this test to result in a PASS flag, several major circuit blocks must work correctly.</p> <p>Common to both the external trigger signal path and the internal trigger signal path is A/B Trigger Generator U150 (fig. FO-19) with the following related input signals:</p> <ul style="list-style-type: none"> <li>a. ATHO (A Trigger Hold off) from the Trigger Hold off circuit (U872B, fig. FO-21, sheet 2) to A/B Trigger Generator U150 through a level shifting resistor string of R225 and R134. The level at U150 pin 15 is less than + 3.3 V for logic LO and greater than +4.0 V for logic HI. The input must be logic HI for a trigger output to occur. if the ATHO signal is not correct, see the "HOLDOFF PROBLEMS" in Procedure 4.</li> <li>b. A TRIG LEVEL and B TRIG LEVEL from the DAC System (fig. FO-13, sheets 1 and 2) via U640A (A TRIG LEVEL) and U640D (B TRIG LEVEL) and filter networks R250/C250 or R162/C160 is another. These voltage levels should be adjustable from -1.3 V to + 1.3 V using the FORCE DAC function.</li> </ul>

**Table 6-6  
OS-291/G Troubleshooting Procedures (cont)**

<b>7. EXTENDED DIAGNOSTICS (cont)</b>	
9000 TRIGGERS (cont)	<p>c. ACD (Acquisition Control Data), A TRIG CLOCK, and B TRIG CLOCK are the signals that load the internal shift register of U150 with MODE, CPLG, and SLOPE requirements for the trigger signal. These lines should have TTL level voltage swings, and the A TRIG CLOCK clock and B TRIG CLOCK signal lines should only have transitions when the associated A or B Trigger MODE, CPLG, or SLOPE are changed. The ACD data line (U150 pin 36) should be checked for the presence of voltage transitions.</p> <p>d. <math>\overline{Si}</math> <math>\overline{SR}</math> data lines set up the A TRIG SOURCE and B TRIG SOURCE selections. Shift Register U 140 (fig. FO-12, sheet 1) provides these signals, and it is tested by test 2510 of the Extended Diagnostics. The signals are assumed correct for a PASS flag at that diagnostic level. If a FAIL flag is present, follow the Troubleshooting Procedure under that diagnostic level.</p> <p>2. High speed ECL level shift stages, Q250 and Q251 for MAIN GATE and Q150 and Q151 for DELAY GATE, are common paths for both Internal and External trigger sources. These stages should have an ECL input swing of less than +3.4 V for logic LO and greater than +4.0 V for logic HI. The output swing should be greater than -1.6 V for logic LO and less than -1.1 V for logic HI.</p> <p>3. Trigger Logic Array U370 (fig. FO-19) is also common to both the external and internal trigger signal paths. Related signal inputs that must be correct are:</p> <p>a. EPTHO (End Pretrigger Holdoff) from Timebase Controller U670 (fig. FO-16) via buffer U680E. EPTHO must be TTL high for a trigger to occur. If that is not occurring, see the SYSTEM CLOCK TROUBLESHOOTING chart in the "Foldouts" section at the back of this manual.</p> <p>b. WR, <math>\overline{ACQSEL}</math>, A0-A3, and GAD0-GAD7 are the digital control and data lines. These signals are tested by test number 2510 of the Extended Diagnostics and, if a PASS flag is present, are assumed to be correct. Otherwise refer to that diagnostics troubleshooting procedure for a failure of 2510.</p> <p>4. The ATG path from Trigger Logic Array U370 to data bus bit DO is also a common path. The AND "logic function of the A Trigger Gate and the B Trigger Gate is performed within Trigger Logic Array U370. The path from A/B Trigger Gate inputs, through a logic ANDing gate, to the Trigger Logic Array Output (pin 63, ATG) is asynchronous and direct, delayed only by the propagation delay of the internal logic gate structures. The ATG signal has a TTL voltage level swing. The ATG output signal path is through R368 and W110 to buffer U851 C (fig. FO-21, sheet 2) and then through tristate buffer U761 to the DO bit of the System Microprocessor data bus. This path through buffer U761 is not tested by test 2000 (Register Tests) of Extended Diagnostics, so it must be verified from U370 through U761 to be operational. ATG also clocks Trigger Holdoff flip-flop U872A.</p> <p>EXTERNAL TRIGGER PATH – EXCLUSIVE:</p> <p>5. EXTERNAL TRIGGER PREAMP U100 (fig. FO-17, sheet 2) is only in the External Trigger Signal path. It should be verified to be functional if FAIL flags appear only at Extended Diagnostics levels with EXT labels.</p> <p>a. There are only two mode control bits that setup U 100. These bits are assumed to be correct if level 2510 of Extended Diagnostics shows a PASS flag. These two bits set up the 1X or 5X attenuation for each EXT TRIG channel.</p> <p>b. Q110, U 120, and associated circuitry produce a + 5 V source that tracks the instrument's -5 V source. The voltage level at U 100 pins 17 and 44 should be verified to be + 5 V. The decoupled -5 V power supply voltage at pin 7 of U100 must be present for this circuit and for the circuit of U100 to function properly.</p>

**Table 6-6**  
**OS-291/G Troubleshooting Procedures (cont)**

<b>7. EXTENDED DIAGNOSTICS (cont)</b>	
9000 TRIGGERS (cont)	<p>c. The voltage at U100 pins 25 and 36 should be verified to be + 5 V to test for defective decoupling components (L210/C211 and L120/C112).</p> <p>INTERNAL TRIGGER PATH – EXCLUSIVE:</p> <p>6. CH 1 and CH 2 PREAMPS U420 and U320, U230A, U230B, and associated components (fig. FO-17) supply the Internal CH 1 TRIG and CH 2 TRIG signals, and should be verified for functionality if FAIL flags appear only on Extended Diagnostics levels with CH 1 or CH 2 labels.</p> <p>a. Operational Amplifiers U230B and U230A and associated components form common mode level trimming amplifiers for the CH 1 and CH 2 <math>\pm</math> PICK outputs respectively. Since the CH 1 and CH 2 trigger signals originate from the -PICK outputs of the CH 1/CH 2 PREAMPs (U420 and U320), improper operation of these bias trimming amplifiers will result in a diagnostic FAIL flag. When operating properly, the arithmetic average of the + PICK and -PICK bias voltages should be at or very near 0 V. If this is not the case, the amplifier circuitry needs to be repaired. (Note that the two circuits interact with each other.)</p> <p>b. If a channel PREAMP is suspected of having a defective -PICK output and the other channel shows no Diagnostics FAIL flags, swap PREAMPs to see if the problem moves to the other channel. If it does, replace the defective PREAMP.</p>
9100 TRIGGER OFFSET	<p>Trigger Signal Offset</p> <p>Testing Method:</p> <p>A ground signal is provided to the trigger from the CH 1 or CH 2 pickoff (internal triggers) or from an external source (EXT1, EXT2 external triggers). This is done by grounding the attenuator or by providing a short at the EXT TRIG inputs.</p> <p>The trigger level DAC is moved in two binary searches to determine where the upper and lower hysteresis levels are while holding the “other” trigger level in such a state that should be “triggered.” The constant is then set to the hysteresis level that represents the triggering point for the desired slope at zero input. The test is repeated for both A and B triggers for all input paths. For EXT TRIG inputs, levels are measured for both the 1X and 5X (attenuated by a factor of five) amplifier ranges. An additional offset for the trigger slope is obtained by measuring the trigger in minus (-) slope with a CH 1 input and computing the difference between the obtained value and that measured in plus (+) slope.</p> <hr/> <p>troubleshooting Procedure:</p> <ol style="list-style-type: none"> <li>1. Run test 9100 in CONTINUOUS mode.</li> <li>2. Starting with the signal path for ATG at pin 2 of U761 (fig. FO-21, sheet 2), work backwards toward the trigger signal source using a test oscilloscope to check that the proper signals are present with the proper bias levels and voltage swings.</li> <li>3. Use the troubleshooting comments under 9000 level as a guide.</li> <li>4. ATG signal should be present at TTL level voltage swings.</li> <li>5. MAIN and DELAY GATE signals to Trigger Logic Array U370 (fig. FO-19) should be present at ECL voltage level swings.</li> <li>6. A TRIG LEVEL and B TRIG LEVEL signals, at pins 13 and 37 of U150 respectively, should have several levels: <math>\pm 1</math> V swings, <math>\pm 0.5</math> V swings, and voltage swing levels that approach a final level of gain iteratively as the binary search is done.</li> </ol>

**Table 6-6  
OS-291/G Troubleshooting Procedures (cont)**

**7. EXTENDED DIAGNOSTICS (cont)**

<p>9100 TRIGGER OFFSET (cont)</p>	<p>7. CH 1 and CH 2 TRIGGER signals should be at or near 0 V. (LR421/LR220 can be open and not cause a FAIL flag to appear at this diagnostic test level since this test only requires CH 1/CH 2 trigger signal to be near 0 V, which is the case with these components open. (However, a FAIL flag will appear at the 9200 diagnostic level.)</p> <p>8. EXT1 and EXT2 TRIG signals are provided externally, and the external signal paths to the Trigger Source Select function within A/B Trigger Generator U150 are not tested by running test 9200 CONTINUOUS Mode. If FAIL flags only appear at EXT diagnostic levels, the EXT source inputs of U 150 are most likely functional, and the problem is either External Trigger Preamp U100 and related bias circuitry, or the BNC and R1001/R1003 signal path from the Front Panel.</p>
<p>9200 TRIGGER GAIN</p>	<p>Trigger Signal Gain</p> <p>Testing Method:</p> <p>Trigger gain is measured for both A and B triggers and for CH 1 and CH 2 inputs. Trigger gain is set by positioning the input signal to + 2 divisions using the CH 1 and CH 2 Preamplifier balance control. The trigger level is then determined by binary search using the same routine which is used for trigger offset. The same is done for -2 divisions. These results are then used to compute the trigger gain.</p> <p>Trigger Gain for the External Triggers is done in Extended Calibration of the TRIGGER circuits. A ground signal and externally supplied DC voltages are used to get a four division level swing in both Ext Trig Preamp gain ranges. If gain cannot be measured, an error is flagged. On the External Triggers, a nominal gain value is stored if the test fails, on the assumption that the external setup may be faulty. The test(s) that failed will be marked FAIL in the Extended Diagnostic menu.</p> <p>Troubleshooting Procedure:</p> <ol style="list-style-type: none"> <li>1. Run test 9200 in CONTINUOUS mode.</li> <li>2. Starting with the signal path for ATG at pin 2 of U761 (fig. FO-21, sheet 2), work backwards toward the trigger signal source using a test oscilloscope to check that the proper signals are present with the proper bias levels and voltage swings.</li> <li>3. Use the troubleshooting comments under 9000 level as a guide.</li> <li>4. The ATG signal should be present at TTL level voltage swings.</li> <li>5. MAIN and DELAY GATE signals to Trigger Logic Array U370 (fig. FO-19) should be present at ECL voltage level swings.</li> <li>6. A TRIG LEVEL and B TRIG LEVEL signals, at pins 13 and 37 of U150 respectively, should have several levels: <math>\pm 1V</math> swings, <math>\pm 0.5 V</math> swings, and voltage swing levels that approach a final level of gain iteratively as the binary search is done.</li> <li>7. CH 1 and CH 2 TRIGGER signals, at pins 6 and 8 of U150 respectively, should have two levels separated by 100 mV centered approximately around 0 V. LR421 or LR220 (fig. FO-17) could be open and cause a FAIL flag to appear only at this diagnostic test level while the 9100 TRIGGER OFFSET level shows a PASS flag since that test only requires CH 1/CH 2 trigger signal to be near 0 V, which is the case with these components open.)</li> <li>8. EXT1 and EXT2 TRIG signals are provided externally and this signal path to the Trigger Source Select function within A/B Trigger Generator U 150 is not tested by running test 9200 in CONTINUOUS mode. If FAIL flags only appear at EXT diagnostic levels, the EXT source inputs of U150 are most likely functional and the problem is either External Trigger Preamp U100 and related bias circuitry, or the BNC and R1001, R1003 signal path from the Front Panel.</li> </ol>

Table 6-6  
OS-291/G Troubleshooting Procedures (cont)

7. EXTENDED DIAGNOSTICS (cont)	
9300 REPET	<p>This routine is not a test. Enough samples are acquired to calibrate the Jitter Correction Gain in Extended Calibration.</p> <p>Troubleshooting Procedure:</p> <ol style="list-style-type: none"> <li>1. Use the Jitter Correction Troubleshooting procedure to locate the source of the failure.</li> </ol>
8. DEAD START	
POWER SUPPLIES	<p>LV POWER SUPPLY (fig. FO-31) and LV REGULATORS (fig. FO-32)</p> <ol style="list-style-type: none"> <li>1. Test for proper voltages on the A13 Side board (see fig. FO-8 for schematic diagram). Check +15 V (TP812), +10 V (TP811), +8 V (TP814), +5 V (TP821), +5 V<sub>DF</sub> (TP825), -15 V (TP813), -8 V Sense (TP815), -8.3 V (TP823), and -5 V (TP822) for proper levels. If any of the voltages are incorrect, troubleshoot the bad supply. The +5 V<sub>D</sub> supply is fused by F269 (fig. FO-31, sheet 2) and the -15 V Unreg supply to the HV Oscillator is fused by F961 (fig. FO-32, sheet 2). Both of these fuses are located under ribbon cables attaching to the power supply board and are hidden from view until the cables are disconnected.</li> </ol> <p>See the POWER SUPPLY CONTROL TROUBLESHOOTING chart for the Low Voltage Power Supply located in the "Foldouts" section of this manual.</p> <div style="text-align: center;"> <p><b>WARNING</b></p> </div> <p><i>If troubleshooting the Low Voltage Power Supply with the AC power connected, use of an isolation transformer is necessary to prevent damage to equipment and possible personal injury due to electrical shock.</i></p> <ol style="list-style-type: none"> <li>2. Check that PWRUP signal on U640 pin 2 (fig. FO-5, sheet 2) is HI and that the <u>RESET</u> signal on U640 pin 37 is HI after the power on. if not, troubleshoot the Power Up circuitry (fig. FO-32) and Power Up Reset circuitry (fig. FO-5).</li> </ol>
PROCESSOR CLOCKS	<p>System Clocks (fig. FO-15)</p> <ol style="list-style-type: none"> <li>1. Check System Microprocessor U640 pin 38 (fig. FO-5) for 8 MHz. if not there, check System Clocks for the defective component(s) (fig. FO-15).</li> <li>2. Check Front Panel Microprocessor U700 at pin 5 (fig. FO-8, sheet 2) for the 4 MHz clock. if not there, check System Clocks for the defective clock circuit (fig. FO-15).</li> <li>3. Repair clocks. Go to the SYSTEM CLOCK TROUBLESHOOTING chart (located in the "Foldouts" section of this manual).</li> <li>4. if clocks are working, and the scope still gives no signs of life, use the System Processor Kernel Test to verify operation of the System Processor addressing and chip select circuitry.</li> </ol>
SYSTEM PROCESSOR	<p>System Microprocessor Aborts on Start Up or While Operating</p> <p>There is some internal consistency checking that can result in an "abort" of the operating routines. The abort routine loops endlessly, blinking the Trigger LEDs on and off in an abort code. On an abort, the Trigger LEDs are flashed three times, then an abort code is displayed in binary with the TRIG'D LED being the LSB of the code (see fig. 6-4), and the cycle is then repeated continually.</p> <p>The abort codes and possible causes of an abort are shown in the following table:</p>

**Table 6-6  
OS-291/G Troubleshooting Procedures (cont)**

**8. DEAD START**

SYSTEM PROCESSOR (cont)	CODE	Meaning	Possible Cause
	1	Abort code initialized to this value at power-on	Bad ROM/RAM. Firmware bug.
	2	Unknown code received from Front Panel Processor.	Front Panel Processor data path to System Processor bad.
	3	Too many bytes received from Front Panel Processor.	Front Panel Processor data path to System Processor bad or handshake logic bad.
	4	Software interrupt 2 or Software Interrupt 3 instruction executed. <sup>1</sup>	Bad ROM/RAM. Firmware bug.
	5	GPIB terminator value for query response scrambled.	Bad ROM/RAM. Firmware bug. (May require a COLD START.)
	6	GPIB event code to be reported is unknown.	Bad ROM/RAM. Firmware bug. (May require a COLD START.)
	7	GPIB delimiter found by scanner has changed and is invalid.	Bad ROM/RAM. Firmware bug. (May require a COLD START.)
<p><sup>1</sup>SW12 and SW13 are not used in the software instructions. If executed, they were not valid instructions. Use the System Processor Kernel Test to verify the ability of the System Microprocessor to function.</p> <p>System Microprocessor U640 (fig. FO-5) Kernel Test:</p> <ol style="list-style-type: none"> <li>With the power off, move jumper J126 (fig. FO-5, sheet 2) from pins 1 and 2 to pins 2 and 3 of P126. This disables the System Processor Data Bus Driver, and allows the data bus lines to be pulled up and down to a single byte instruction. The instruction (CLRB) continually fetches and executes the CLRB instruction to step through the entire 64 K o addresses.</li> <li>Move jumper J 127 (fig. FO-6, sheet 1) (Waveform Processor Bus control) from the NORMAL position (pins 1 and 2 connected) to the BUSTAKE position (pins 2 and 4 connected). This places the Waveform Processor Bus under control of the System Processor. In this mode, the basic operation of the System Processor can be checked, and all the address decoding circuitry can be verified.</li> <li>Connect CH 1 of a test scope to TP840 (fig. FO-5, sheet 2). Display that signal and use it as a trigger source for the test scope. This point is the AF address bit (the MSB) of the address bus.</li> <li>Turn the power on and check that the <b>RESET</b> signal on U942 pin 5 is HI; if not, troubleshoot the Power Up Reset circuitry (fig. FO-5) and the Power Up circuitry (fig. FO-32).</li> <li>Adjust the test scope to view the AF signal. It should be a TTL level square wave with a 50 0/0 duty cycle.</li> </ol> <p>Using the CH 2 probe:</p> <ol style="list-style-type: none"> <li>Check each address line in order (from AF to A0) for a valid TTL level signal, with each lower address line having a frequency of exactly twice the frequency as the address above it. Any loss of the 50 0/0 duty cycle and/or distortion indicates a shorted address line. Check both the input and output pins of Address Buffers U730 and U632 to verify that they are working correctly, and to determine if address lines are shorted after the buffers. Waveform illustrations 6, 7, 8, 9, 10, and 11 adjacent to fig. FO-5 maybe used to compare against the observed waveforms.</li> </ol>			

**Table 6-6**  
**OS-291/G Troubleshooting Procedures (cont)**

**8. DEAD START**

**SYSTEM PROCESSOR (cont)**

7. If a fault is found, it may be necessary to isolate the System Processor address bus from the Waveform Processor address bus to determine what circuitry is causing the problem. See the BUS ISOLATE and the WAVEFORM PROCESSOR KERNEL MODE procedures following the System Processor Chip-Select Test.

System Processor Chip-Select Test:

1. From the Kernel mode, momentarily short the pins of J 129 (fig. FO-5, sheet 2) together to reset the processor. This forces ROM0.0 to be switched in. Set the test scope to 10 ms/div to view one whole cycle of the AF period, and set the Trigger Slope so that AF is shown LO during the first half of the display. While AF is LO, addresses from 0000h to 7FFFh are being executed; while HI, addresses from 8000h to FFFFh are executed.
2. Move jumper J127 (fig. FO-6, sheet 1) to connect pins 2 and 4. This causes the "BUS-TAKE" condition so that the System Processor has access to the Waveform Processor memory space. In this mode, most of the processing system can be verified.

Using the CH 2 probe:

3. Look for a LO chip-select signal, at the point designated in the following table, that occurs during the correct portion of the AF waveform period. Waveform illustrations 20, 21, 22, 23, 24, and 25, may be used as comparison waveforms for the chip selects output from Address Decoder U570 (fig. FO-6).

Chip Select	Test Point	Bus	Address Range(hex)	Position Within the AF Period
SAVE	U580-8	WP	0000-1FFF	First 1/8 <sup>th</sup>
DISP	U570-13	WP	2000-2FFF	Third 1/16 <sup>th</sup>
DATT	U570-12	WP	3000-3FFF	Fourth 1/16 <sup>th</sup>
ACQ	U570-11	WP	4000-4FFF	Fifth 1/16 <sup>th</sup>
CMD/TEMP	U250-8	WP	5000-57FF	Twelfth 1/32 <sup>nd</sup>
COEFF	U250-11	WP	5800-5FFF	Thirteenth 1/32 <sup>nd</sup>
HMMIO	U870-6	BOTH	6000-6FFF	Seventh 1/16 <sup>th</sup>
NVRAM	U840-6	SYS	7000-77FF	Sixteenth 1/32 <sup>nd</sup>
SYSRAM	U840-3	SYS	7800-7FFF	Seventeenth 1/32 <sup>nd</sup>
ROM0.0	U890-4	SYS	8000-BFFF	Third 1/4 <sup>th</sup>
ROMT	U890-5	SYS	C000-FFF	Last 1/4 <sup>th</sup>

4. Check the host memory mapped I/O selects at the outputs of U830 [fig. FO-5, sheet 2) to verify that selects are generated and only-during the time HMMIO is LO.
5. With the power off, check that no two of the select outputs are shorted together. If shorted, troubleshoot the cause and repair.

NOTE

*If the problem is that one of the selects is not being generated, the SELF TEST will be able to determine that a group of registers fail. However, if two or more of the selectlines are shorted together, any addressed devices will try to respond at the same time and bus contention will occur. The result is that the normal SELF TEST diagnostics testing won't work.*

**Table 6-6**  
**OS-291/G Troubleshooting Procedures (cont)**

<b>8. DEAD START</b>	
SYSTEM PROCESSOR (cont)	<p>6. Check each of the System Microprocessor data bus lines (D7-DO) on the outputs of Data Bus Buffer U650. Look for open bus lines (no activity) and hung bus lines (stuck HI or LO). if a fault is found, it will be necessary to determine if it is on the System Bus or the Waveform Processor bus. Use the BUS ISOLATE MODE to assist in checking for a fault location.</p> <hr/> <p>BUS ISOLATE MODE</p> <ol style="list-style-type: none"> <li>1. Move jumper J127 (fig. FO-6, sheet 1) to the BUS ISOLATE position (pins 2 and 4 connected). This electrically disconnects the Waveform Processor bus from the System Processor bus to isolate the different parts of the processing system from each other.</li> <li>2. Recheck the faulty data bus line to determine if it is still faulty (problem on the System Processor data bus) or the fault is gone (problem on the Waveform Processor data bus).</li> <li>3. Check that no data bus activity is occurring during the Waveform Processor address space (see fig. 6-10 to compare against). Faulty address decoding can cause response from an incorrectly addressed device.</li> <li>4. Check that the data bus is at the "float" level during periods of inactivity (waiting for a response from devices that are on the Waveform Processor bus). A HI or a LO in the idle period indicates a stuck data bus.</li> <li>5. if no faults are found on the System Processor data bus, the problem data line maybe on the Waveform Processor bus. Use the Waveform Processor Kernel mode to check for faults while the busses are isolated.</li> </ol>



Table 6-6  
OS-291/G Troubleshooting Procedures (cont)

8. DEAD START

SYSTEM  
PROCESSOR (cont)

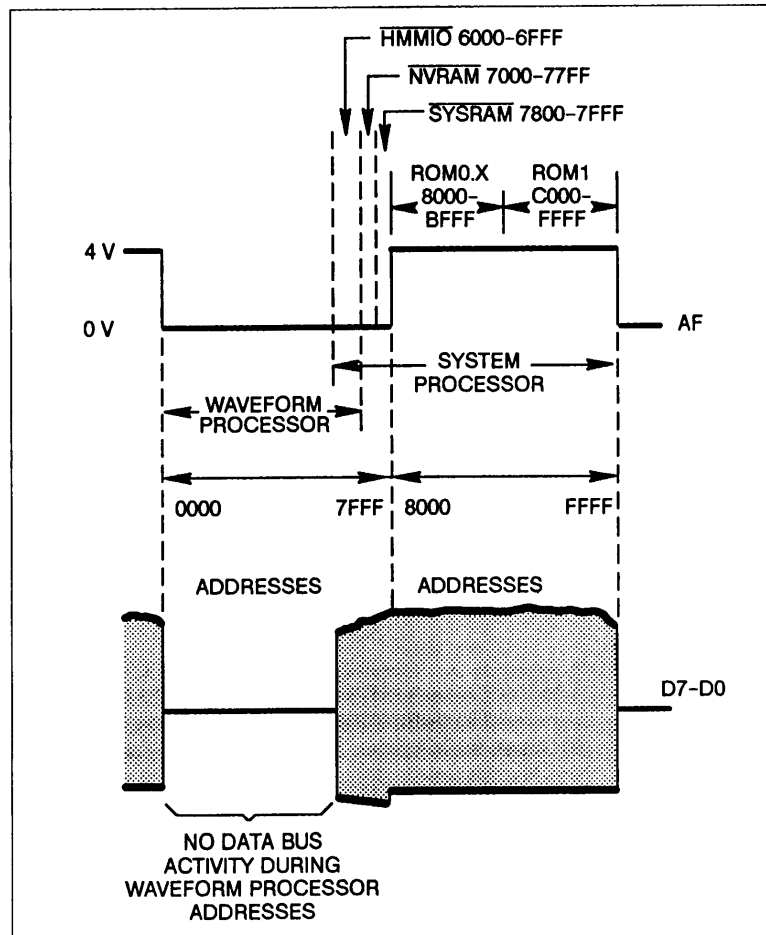


Figure 6-10. System Processor data bit D7 in the Bus Isolate mode.

WAVEFORM  
PROCESSOR

Waveform Processor Kernel Mode

This mode is used when a fault has been found on either the System Processor data bus or the System Processor address bus while in the BUS CONNECT mode or when SELF TEST 5100 (RUN TASK) fails in the Extended Diagnostics menu.

1. Turn off the power and place the processor system in the BUS ISOLATE mode (see the preceding steps).
2. Remove jumper J128 (Waveform Processor Kernel Mode) and jumper J 184 (Waveform Processor Reset Release) (fig. FO-6, sheet 1). Both are located on the A12 Processor board near Waveform Microprocessor U470.
3. With the power on in the Kernel mode, the Instruction Data Bus lines are pulled up or pulled down in a command that causes the U470 to address every instruction in its memory sequentially and continually. Instruction address bus lines and data address bus lines can be checked for activity. All the Instruction address bus lines and the data address bus lines with the exception of the top five (WAA through WAE) increment with the periods shown in the following tables. WAA through WAE will be fixed random values because page switching of the memory is not done and is not set to any known state in the Kernel test.

**Table 6-6  
OS-291/G Troubleshooting Procedures (cont)**

<b>8. DEAD START</b>						
WAVEFORM PROCESSOR (cont)	Waveform Processor Instruction Bus Address Lines			Waveform Processor Data Bus Address Lines		
	Signal	Location	Period	Signal	Location	Period
	IA9	TP580	409.6 μs	WAB	U562-9	1.6384 μs
IA8	U490-22	204.8 μs	WAA	TP562	819.2 μs	
IA7	U490-23	102.4 μS	WA9	U562-5	409.6 μs	
IA6	U490-1	51.2 μs	WA8	U562-2	204.8 μs	
IA5	U490-2	25.6 μs	WA7	U364-19	102.4 μs	
IA4	U490-3	12.8 μs	WA6	U364-16	51.2 μs	
IA3	U490-4	6.4 μs	WA5	U364-15	25.2 μs	
IA2	U490-5	3.2 μs	WA4	U364-12	12.8 μs	
IA1	U490-6	1.6 μs	WA3	U364-9	6.4 μs	
IA0	U490-7	800 ns	WA2	U364-6	3.2 μs	
CLK2D	U490-8	200 ns	WA1	U364-5	1.6 μs	
			WA0	U364-2	800 ns	
<p>4. The Instruction Memory Datelines into the Waveform Microprocessor can also be checked to determine if any of the lines are shorted or open. Check against the schematic to see which lines (IDO through IDF) are normally pulled up or normally pulled down for the Kernel test.</p>						

## FRONT PANEL SETTINGS FOR INIT PANEL

Table 6-7 lists the Front Panel settings which are returned when INIT PANEL is executed from the AutoStep menu (PRGM).

**Table 6-7  
INIT PANEL State**

AUTOSSET Controls	
Mode	VIEW
Resolution	LO
CURSOR Controls	
CURSOR/DELAY Knob	CURSOR POSITION
CURSOR FUNCTION	All off
VOLTS UNITS	VOLTS
TIME UNITS	SEC
SLOPE UNITS	VOLTS/SEC
CURSOR Mode	Δ
ATTACH CURSORS TO:	CH 1
XAxis Cursor Position	±3 divisions
YAxis Cursor Position	±3 divisions
TIME Cursor Position	±4 divisions
VOLTS Ref Value	1.0V
TIME Ref Value	1.0SEC
SLOPE Ref Value	1.0V/SEC
DELAY Controls	
DELAY by EVENTS	OFF
Δ TIME	OFF
DELAY TIME	40 μs
Δ DELAY Time	0.0
DELAY EVENTS Count	1
DEVICES/SETUP (OUTPUT)	
DEVICES	
HPGL PLOTTER	OFF
THINKJET PRINTER	ON
SETUP	
Print SETTINGS	ON
Print TEXT	ON
Print GRAT	ON
Print WFM	ON
PGSIZE	US

**Table 6-7  
INIT PANEL State (cont)**

GPIB SETUP (OUTPUT)	
DEBUG	OFF
LONG	ON
LOCK	LLO
PATH	ON
RQS Mask	ON
OPC Mask	ON
CER Mask	ON
EXR Mask	ON
EXW Mask	ON
INR Mask	ON
USER Mask	OFF
PID Mask	OFF
DEVDEP Mask	ON
Data Encoding (ENCDG)	BINARY
Data Target	REF 1
Data Source	CH 1
FASTXMIT	OFF
FASTXMIT Encoding (ENCDG)	BINARY
CURVE ONLY	OFF
START	256
STOP	512
LEVEL	0
HYSTERESIS	5
DIRECTION	PLUS
SETUP ATTRIBUTE	0
SETUP FORCE	OFF
ΔT	OFF

**Table 6-7**  
**INIT PANEL State (cont)**

<b>HORIZONTAL Mode Controls</b>	
MODE	A
A SEC/DIV	1 ms
EXT CLK Expansion Factor	1
EXT CLK	OFF
POSITION Waveform	LIVE
POSITION Reference	REF 1
POSITION set to	Midscreen
POSITION REF mode	INdependent
<b>INTENSITY Controls</b>	
SELECT	DISP
READOUT Intensity	50%
DISP Intensity	40%
GRAT Illum	0%
INTENS Level	80%
VECTORS	ON
<b>MEASURE Controls</b>	
MARK	OFF
DISPLAY	OFF
WINDOW	OFF
METHOD	MI N/MAX
LEVEL (units)	%
LEVEL (settings)	
PROXIMAL	10%/0.4V
MESIAL	50%/1 .3 V
MESIAL2	50%/1 .3 V
DISTAL	90%/2.4 V
TARGET	CH 1
<b>STORAGE Mode Controls</b>	
STORAGE Mode	SAVE
ACQUIRE Mode	NORMAL
REPET	OFF
AVG Number	2
ENVELOPE Number	1
SAVE ONΔ	OFF
REF1 through REF4	OFF

**Table 6-7**  
**INIT PANEL State (cont)**

<b>TRIGGER Controls</b>	
A/B TRIG set for	A
A TRIG MODE	AUTO LEVEL
B TRIG MODE	RUNS AFTER
SOURCE (both)	CH 1
COUPLING (both)	DC
SLOPE (both)	+ (plus)
TRIG POSITION	1/2 (512)
LEVEL (both)	0.0
EXT GAIN (both)	÷ 1
HOLDOFF	Minimum
<b>VERTICAL MODE Controls</b>	
CH 1	ON
VOLTS/DIV (both)	100 mv
VARIABLE (both)	CAL
COUPLING (both)	DC
50 Ω (both)	OFF
INVERT (both)	OFF
POSITION set to	Mid screen
Display Mode	YT
BANDWIDTH	FULL
SMOOTH	OFF
<b>WORD RECOGNIZE (SET WORD)</b>	
Word Match	Don't care (all x)
RADIX	HEX
CLOCK	ASYNC

# Appendix A REFERENCES

## SCOPE

This appendix lists all forms, field manuals, technical manuals, and miscellaneous publications referenced in this manual.

## FORMS

Equipment inspection and Maintenance Worksheet . . . . .	DA Form 2404
Product Quality Deficiency Report . . . . .	Form SF 368
Recommended Changes to Equipment Technical Manuals . . . . .	DA Form 2028-2
Recommended Changes to Publications and Blank Forms . . . . .	DA Form 2028
Report of Discrepancy (ROD) . . . . .	Form SF 364
Transportation Discrepancy Report . . . . .	Form SF 361

## TECHNICAL MANUALS

Operator's and Unit Maintenance Manual for Oscilloscope OS-291/G . . . . .	TM 11-6625-3241 -12
Procedures for Destruction of Electronics Materiel to Prevent Enemy Use (Electronics Command) . . . . .	TM 750-244-2
Unit, Direct Support, and General Support Repair Parts and Special Tools List for Oscilloscope OS-291/G . . . . .	TM 11-6625-3241-24P

## MISCELLANEOUS

Abbreviations for Use on Drawings, Specifications Standards and in Technical Documents . . . . .	MIL-STD-12
Common Table of Allowances . . . . .	CTA 50-970
Consolidated Index of Army Publications and Blank Forms . . . . .	DA Pam 25-30
First Aid for Soldiers . . . . .	FM 21-11
Safety Precautions for Maintenance of Electrical/Electronic Equipment . . . . .	TB 385-4
The Army Maintenance Management System (TAMMS) . . . . .	DA Pam 738-750



# Appendix B

## EXPENDABLE SUPPLIES AND MATERIALS LIST

### INTRODUCTION

#### SCOPE

This appendix lists expendable supplies and materials you will need to operate and maintain the Oscilloscope OS-291/G. These items are authorized to you by CTA 50-970, Expendable Items (except Medical, Class V, Repair Parts, and Heraldic Items).

#### EXPLANATION OF COLUMNS

- a. *Column (1) - Item Number.* This number is assigned to the entry in the listing and is referenced in the narrative instructions to identify the material.
- b. *Column (2) - Level.* This column identifies the lowest level of maintenance that requires the listed item. Enter as applicable:

C – Operator/Crew  
 O – Unit Maintenance  
 F – Direct Support Maintenance  
 H – General Support Maintenance

- c. *Column (3) - National Stock Number.* This is the National Stock Number assigned to the item; use it to request or requisition the item.
- d. *Column (4) - Description.* Indicates the Federal item name and, if required, a description to identify the item. The last line for each item indicates the Federal Supply Code for Manufacturer (FSCM) (in parentheses) followed by the part number.
- e. *Column (5) - Unit of Measure (U/M).* Indicates the measure used in performing the actual maintenance function. This measure is expressed by a two-character alphabetical abbreviation (e.g., ea, in, pr). If the unit of measure differs from the unit of issue, requisition the lowest unit of issue that will satisfy your requirements.

#### EXPENDABLE SUPPLIES AND MATERIALS

(1) Item No.	(2) Level	(3) National Stock Number	(4) Description	(5) U/M
1	C	8305-00-267-3015	Cloth, Cheesecloth, Cotton, Lintless, CCC-C-440, Type ii, Class 2 (81349)	yd
2	C	7930-00-068-1669	Detergent, General Purpose	oz
3	C	6810-00-753-4993	Alcohol, isopropyl, 8 oz. can, MIL-A-10428, Grade A (81349)	oz
4	H		Solder, Rosin Core, 63% Tin, 37% Lead	lb
5	H		Solder, 3% Silver	lb
6	H		Applicator, Cotton Tipped, 6 inch	ea





# INDEX

Subject	Page
<b>A</b>	
Accuracy	
Cursor Readout . . . . .	4-21
Cursor Volts Readout . . . . .	4-8
Horizontal Display . . . . .	4-21
Output Voltage . . . . .	4-12
Readout . . . . .	4-6
Time Base Reference . . . . .	4-22
Trigger Level . . . . .	4-6
Trigger Level Readout . . . . .	4-8
Volts/Div Display . . . . .	4-6
Acquisition	
Average Mode . . . . .	3-21
Control Register . . . . .	6-66
Control Register Clock Decoder . . . . .	FP-41
Control Registers . . . . .	3-6,3-29, 3-30, FP-41
Control Registers Block Diagram . . . . .	FP-1
Control Shift Registers . . . . .	6-64
Data Transfer . . . . .	3-12
Description of Process . . . . .	3-9
ENVELOPE . . . . .	357
Envelope Mode . . . . .	3-21
FISO Mode . . . . .	6-62,6-63
Gain Matching . . . . .	4-24
Latch Switches . . . . .	3-58, FP-85
Latches . . . . .	3-2,3-57, 3-59, FP-85
Latches Block Diagram . . . . .	FP-1
Memory . . . . .	3-4,3-10,3-39. 6-71, FP-57
Memory Block Diagram . . . . .	FP-1
Position Offset . . . . .	6-67
Processing . . . . .	3-12
Sample Rate . . . . .	4-21
Short-Pipe Mode . . . . .	6-62, 6-63
System Characteristics . . . . .	1-8
Troubleshooting . . . . .	6-34
Troubleshooting Waveforms.. . . . .	FP-59. FP-87
Waveform . . . . .	1-2
Address	
Buffers . . . . .	3-14
Bus Connect Buffer . . . . .	FP-19
Counter . . . . .	FP-59
Decoder for System . . . . .	3-16
Decoder for the Side Board... . . . .	FP-77
Decoding for Registers . . . . .	FP-21
Decoding for Waveform Processor . . . . .	3-24
Latch . . . . .	3-22, FP-19
Multiplexer . . . . .	FP-93
Multiplexer for Display . . . . .	3-63
Adjustments	
After Repair . . . . .	6-10
Astigmatism . . . . .	3-71,5-336-45
Bandwidth Limit Filter (C431) . . . . .	FP-35, FP-39, FP-65
C351 . . . . .	5-8, FP-67
C352 . . . . .	5-8, FP-67

Subject	Page
Adjustments – CONT	
C353 .....	5-7, FP-65
C354 .....	5-7, FP-65
Channel 1 Bandwidth Limit Filter (C431) .....	5-9
Channel 1 CCD Gain (R768 and R769) .....	5-7, FP-37, FP-39, FP-81
Channel 1 Input Capacitance (C414) .....	5-9, FP-35, FP-39, FP-61
Channel 2 Bandwidth Limit Filter (C235) .....	5-9, FP-67
Channel 2 CCD Gain (R877 and R688) .....	5-7, FP-37, FP-39, FP-83
Channel 2 Input Capacitance (C311) .....	5-9, FP-35, FP-39, FP-63
Charge Transfer Efficiency1 (R865) .....	5-8, FP-37, FP-65
Charge ransfer Efficiency 2 (R864) .....	5-8, FP-37, FP-39, FP-67
Common Mode .....	FP-65
Computer Aided .....	6-1
Constants .....	6-30
Delay Match (C356) .....	5-8, FP-35, FP-39, FP-67
Display .....	5-1, 5-3-5-7
Dynamic .....	6-2
Edge Focus (R300) .....	3-74, 5-3, 6-45, FP-103, FP-1C)5
Focus .....	3-71,5-3
Geometry (R200) .....	3-74, 5-3, FP-103, FP-105
Grid Bias (R100) .....	3-72, 3-73,5-3, FP-103, FP-107
High Drive Focus (R400) .....	3-72, 5-3, 6-45, FP-103, FP-107
Horizontal Gain (R586) .....	3-69, 5-6, FP-49, FP-99
Horizontal Offset (R587) .....	5-6, FP-51, FP-99
Horizontal Spot Wobble (R584) .....	3-70, 5-4, FP-49, FP-51, FP-97
Horizontal Vector Compensation (R376) .....	3-69, 5-6, FP-49, FP-99
Integrator Time (R620) .....	3-69, 5-6, FP-49, FP-97
Internal .....	5-1,5-3-5-9,6-1
Location .....	5-4
Sample Skew 1 (R475) .....	5-7, FP-35, FP-69
Sample Skew 2 (R458) .....	5-8, FP-35, FP-69
Schedule for .....	1-3,6-2
Trace Rotation .....	3-74,5-3
Vertical Gain (R580) .....	5-6, FP-49, FP-51, FP-97
See also Adjustment for Horizontal Gain (R586)	
Vertical Offset (R585) .....	5-6, FP-49, FP-51, FP-97
Vertical Spot Wobble (R583) .....	3-70,5-4, FP-49, FP-51, FP-97
Vertical Vector Compensation (R276) .....	3-6, FP-49, 5-6, FP-49, FP-97
Y-Axis Alignment (R305) .....	3-74, 5-3, FP-103, FP-105
Analog	
Data Conditioning .....	3-11
Sampling .....	3-8
Troubleshooting .....	6-36
Analog-to-Digital (A/D) Converter .....	3-2,3-11,3-57, FP-85
Block Diagram .....	FP-1
Astigmatism Control .....	FP-105
See <i>a/so</i> Adjustments	
Attenuator .....	3-2,3-40
Block Diagram .....	FP-1
Channel 1 .....	FP-61
Channel 2 .....	FP-63
Clock .....	3-40
Control Registers .....	3-40, FP-61
Gain Self Calibration .....	5-10
Interconnection .....	FP-7
Removal .....	6-22
Shift Register .....	6-64
Shift Registers .....	6-64
Troubleshooting .....	6-64,6-70

Subject	Page
Attributes	
Memory . . . . .	3-4
RAM . . . . .	FP-91
Audio Tone . . . . .	3-77
See <i>also</i> Bell	
Auto Step Sequencer . . . . .	4-28

## B

Bandwidth . . . . .	4-10
Limit . . . . .	4-10, 5-9
Output Voltage . . . . .	4-12
Battery	
Status. . . . .	6-75, FP-15
Status Circuit Failure . . . . .	6-30
Bell . . . . .	3-77, FP-109
Troubleshooting . . . . .	6-39
Troubleshooting Waveforms . . . . .	FP-111
Block Diagram.. . . . .	3-3, FP-1 , FP-3
Detailed Description . . . . .	3-8
Bus Connect Data Buffer . . . . .	FP-19
Bus Isolation . . . . .	6-65
Busgrant . . . . .	6-61
Decoder . . . . .	FP-19
Bustake . . . . .	6-49

## C

Cabinet	
Cleaning . . . . .	6-5
Removal . . . . .	6-15
Calibration . . . . .	6-1
Amplifier . . . . .	FP-47
Amplifier for Self Calibration... . . . .	3-31
Cal/Diag Menu . . . . .	6-24
Constants . . . . .	6-62
Ext Cal Menu . . . . .	6-24
Extended . . . . .	6-1,6-23
Failures . . . . .	6-2, 6-28
Levels . . . . .	6-1
Overview of operation . . . . .	6-24
Peak Detector . . . . .	6-31
Preserving . . . . .	5-2
Routines . . . . .	6-23
Self. See Adjustments	
Self Cal . . . . .	5-10,6-1,6-23
See <i>also</i> GPIB	
Sequence . . . . .	5-1
Soft Errors . . . . .	6-2
Trouble Conditions . . . . .	6-9
Voiding . . . . .	6-2

Subject	Page
Calibrator . . . . .	3-6, 3-56, FP-79
Troubleshooting . . . . .	6-39
Troubleshooting Waveforms . . . . .	FP-79
Cathode . . . . .	FP-107
See also CRT	
CCD . . . . .	3-2,3-42, 3-44,3-56
Amplifiers . . . . .	3-56
Clock Drivers Block Diagram . . . . .	FP-1
Clocks . . . . .	3-6
Multiplexers . . . . .	3-57
output . . . . .	3-56
Output Block Diagram . . . . .	FP-1
Sample and Hold . . . . .	FP-81, FP-83
Single-Ending Amplifiers . . . . .	FP-81, FP-83
Transfer Efficiency . . . . .	6-64
Troubleshooting . . . . .	6-62
Troubleshooting Waveforms . . . . .	FP-83
Channel Isolation.....	4-11
Chassis Parts	
Component Location . . . . .	FP-15, FP-41, FP-45, FP-53, FP-57, FP-61, FP-65, FP-69, FP-73, FP-77, FP-81 , FP-85, FP-89, FP-97,FP-105, FP-109, FP-115,FP-121
Schematic Cross Reference..	FP-9
Chip Select . . . . .	3-19,3-24
Circuit Board	
Interconnection . . . . .	6-10, FP-5, FP-7
Locations . . . . .	6-15, FP-11
Cleaning . . . . .	6-4
Clocks	
Attenuator . . . . .	3-40
C Drivers . . . . .	FP-65
CCD . . . . .	3-6
CCD Data . . . . .	3-35, FP-53
CCD Driver Troubleshooting Waveforms . . . . .	FP-67
CCD Output Sample . . . . .	FP-55
CCD Output-Sample . . . . .	3-33
CCD Phase . . . . .	3-50, FP-69
CCD Phase Troubleshooting Waveforms . . . . .	FP-71
Display . . . . .	3-62, FP-93
Driver for Channel 1 CCD . . . . .	FP-65
Driver for Channel 2 CCD . . . . .	FP-67
Driver Troubleshooting . . . . .	6-62
Drivers . . . . .	3-2, 3-42,3-45
Master for System . . . . .	3-32
Master Generator . . . . .	FP-53
Minimum Delay . . . . .	FP-53
Minimum-Delay . . . . .	3-33
Phase . . . . .	6-34, FP-1
Phase Clocks . . . . .	3-47
Reference Frequency . . . . .	FP-53
Reference Frequency for System . . . . .	3-36
Secondary . . . . .	FP-55
Secondary for System . . . . .	3-32
System . . . . .	3-7, 3-32, 6-62, FP-1
System Troubleshooting . . . . .	FP-129
Troubleshooting Waveforms . . . . .	FP-55
Waveform Processor . . . . .	FP-19

<b>Subject</b>	<b>Page</b>
Cold Start . . . . .	5-6,6-30
Common Mode, Adjust . . . . .	FP-65
Common Mode Rejection Ratio (CMRR) . . . . .	4-11
Component Testing . . . . .	6-10
Connectors	
End-Lead Pin . . . . .	6-11
Mutipin . . . . .	6-8,6-13
Control Settings . . . . .	6-9
Coupling/Invert . . . . .	4-6
CRT . . . . .	3-7,3-70, FP-105, FP-107
Anode . . . . .	3-71, FP-105
Cathode Supply . . . . .	FP-107
Control . . . . .	3-74
Control Interconnection . . . . .	FP-7
Control Voltages . . . . .	FP-105
interconnection . . . . .	FP-5
Removal . . . . .	6-20 – 6-21
Troubleshooting . . . . .	6-43,6-45
Cursor	
Control . . . . .	FP-31
Functions . . . . .	4-24
Measurements . . . . .	1-2
Readout Accuracy . . . . .	4-21
Register . . . . .	3-60
Time . . . . .	3-60
Time Register . . . . .	6-56
Time Registers . . . . .	FP-91
Units . . . . .	4-24
Volt Register . . . . .	6-55, FP-89
Volts . . . . .	3-60
Volts Readout Accuracy . . . . .	4-8
 <b>D</b>	
Data	
Displaying . . . . .	3-13
Missing . . . . .	6-35
Transfer . . . . .	3-12,3-13,3-27
Data Buffer	
Bus Connect.. . . . .	3-23
Waveform . . . . .	3-26
Data Bus	
Buffer . . . . .	3-14, FP-17
Buffers . . . . .	FP-19
DC Restorer . . . . .	3-72, FP-105
See <i>also</i> High Voltage Supply	
DCOK . . . . .	6-49
Dead instrument . . . . .	662
Deflection Troubleshooting.... . . . .	6-45
Delay	
Control . . . . .	FP-31
Events . . . . .	4-22
Time . . . . .	4-22
Delta Delay Time . . . . .	422
Resolution . . . . .	422
Destruction . . . . .	0-1

Subject	Page
Diagnostic	
Buffers	3-61, FP-89
Capability	6-25
Coding	6-26
Diagnostic-CONT	
Cold Start	6-30
DAC Tests	6-40
Display Tests	6-34
Ext Diag Menu	6-25,6-27
Extended	6-25
Failure Code Levels	6-28-6-30
Front Panel Operation	6-27-6-31
GPIB Operation	6-31
Hierarchy	6-25
Initial Indications	6-34
Internal	6-23-6-33
Menus	6-27
Power-On Tests	6-34
Procedures	6-32-6-33
Self	6-26
Service Routines	6-31
Special Routines	6-30
Status	6-28
Test Failures	6-28
Test Routines	6-9
Types of Routines	6-25
Digital-to-Analog Converter (DAC)	3-5,3-29, 6-1, FP-43
Adjustment Constants	6-30
Block Diagram	FP-1
Display	3-13
Horizontal	FP-91
I-to-E Converter	3-29
Input Shift Register	6-64,6-67
Multiplexer (MUX)	3-30,3-31
Multiplexer (MUX) 0 Sample and Hold	FP-41
Multiplexer (MUX) 1 Sample and Hold	FP-45
Multiplexer (MUX) 2 Sample and Hold	FP-45
Multiplexer (MUX) 3 Sample and Hold	FP-47
Multiplexer Select	3-30, FP-41
Offset	3-29
System Gain	3-30
Troubleshooting	6-40
Troubleshooting Waveforms	FP-43, FP-91
Vertical	FP-89
Display	3-12
Address	FP-93
Address Multiplexer	3-63
Adjustments	5-1,5-3-5-7
Centering	4-13
Characteristics	1-14
Clocks	FP-93
Control	3-61, FP-93, FP-95
Control Block Diagram	FP-3
Control Register	FP-93
Control Register Troubleshooting	6-53,6-54
Controller	3-4
Counter	3-62, FP-93
DAC	3-13
Diagnostic Test	6-34
Distortion	FP-127

Subject	Page
Display –CONT	
Dot . . . . .	4-13
Horizontal Accuracy . . . . .	4-21
Memory . . . . .	3-4, 3-12
Memory Block Diagram . . . . .	FP-3
Memory Troubleshooting . . . . .	6-55
Missing . . . . .	FP-127
Mode . . . . .	3-61
Mode Control . . . . .	FP-95
output . . . . .	3-4, 3-67, FP-97, FP-99
Output Block Diagram . . . . .	FP-3
Ramp Buffers . . . . .	3-60
Register Select . . . . .	3-61, FP-93
Spot Wobble Correction . . . . .	FP-97
State Machine . . . . .	3-63, FP-93
State Machine Troubleshooting . . . . .	6-44
Status Buffer . . . . .	3-26, FP-21
Status Register . . . . .	6-50
Troubleshooting . . . . .	6-43, FP-127
Troubleshooting Output Circuit . . . . .	6-45
Troubleshooting Waveforms . . . . .	FP-95, FP-101, FP-111
Vector . . . . .	3-69, 4-13
Volts/Div Accuracy . . . . .	4-6

**E**

Electrostatic Discharge . . . . .	C
Precautions . . . . .	6-3
Relative Susceptibility . . . . .	6-3
Envelope Max-Min Comparator . . . . .	FP-85
Environmental Characteristics . . . . .	1-4
Equipment	
Cleaning . . . . .	6-4
Cold Starting . . . . .	5-6
Cooling . . . . .	2-2
Cross-Reference . . . . .	4-2
Dimensions . . . . .	1-4
Exterior . . . . .	6-4
Inspection . . . . .	6-4
Interior . . . . .	6-5
Test . . . . .	4-1
Troubleshooting . . . . .	FP-9
Weight . . . . .	1-4
Extended Calibration . . . . .	6-1
See also Calibration	
Extended Diagnostics	
See also Diagnostic	
0000–Run All Test routines . . . . .	6-46
1000–System ROM Test . . . . .	6-46
1100–ROM Base Page Test . . . . .	6-47
1210–ROM Page 0 Test . . . . .	6-47
1220–ROM Page 4 Test . . . . .	6-47
1230–ROM Page 4 Test . . . . .	6-47
1240–ROM Page C Test . . . . .	6-47
1310–ROM Page 1 Test . . . . .	6-47
1310–ROM Page 5 Test . . . . .	6-47
1310–ROM Page 9 Test . . . . .	6-47
1310–ROM Page D Test . . . . .	6-47
1410–ROM Page 2 . . . . .	6-47

Subject	Page
Extended Diagnostics – CONT	
1410–ROM Page 6 Test . . . . .	6-47
1410–ROM Page A Test . . . . .	6-47
1410–ROM Page E Test . . . . .	6-47
1510–ROM Page 3 Test . . . . .	6-47
1510–ROM Page 7 Test . . . . .	6-47
1510–ROM Page B Test . . . . .	6-47
1510–ROM Page F Test . . . . .	6-47
2000–Register Tests . . . . .	6-48
2100–System Process or Register Tests . . . . .	6-48
2110–Page Control Register Tests . . . . .	6-48
2120–Interrupt Register Tests . . . . .	6-49
2130–Page Control Register Tests . . . . .	6-49
2140–System Processor Miscellaneous Registers Tests . . . . .	6-50
2150–interrupt Latch and Display Status Register Tests . . . . .	6-50
2160–Waveform Processor Tests . . . . .	6-51
2170–Word Trigger Register Tests . . . . .	6-52
2190–Miscellaneous Register Tests . . . . .	6-52
2200–Display Control Registers Tests . . . . .	6-53
2210–Miscellaneous Registers Tests . . . . .	6-53
2220–Mode Control Register Tests . . . . .	6-54
2230–Mode Control Register Tests . . . . .	6-54
2300–Display Memory Bus Registers Tests . . . . .	6-55
2310–Volts Cursors Registers Tests . . . . .	6-55
2320–Time Cursor Register Tests . . . . .	6-56
2330–Ramp Buffer Tests . . . . .	6-56
2340–Readout Buffer Tests . . . . .	6-58
2350–Readout Buffer Tests . . . . .	6-60
2360–Vertical Buffer Tests . . . . .	6-61
2370–Horizontal Buffer Tests . . . . .	6-62
2400–Time Base Controller Tests . . . . .	6-62
2410–Time Base Controller Tests . . . . .	6-63
2420–Time Base Controller Tests . . . . .	6-63
2500–Main Board Shift Registers Tests . . . . .	6-64
2510–Initial Shift Registers Tests . . . . .	6-64
2520–Attenuator Shift Register Tests . . . . .	6-64
2530–Acquisition Control Register Tests . . . . .	6-65
2540–Acquisition Control Register Tests . . . . .	6-66
2550–Acquisition Control Register Tests . . . . .	6-66
2560–System DAC Tests . . . . .	6-67
2600–Holdoff Register Tests . . . . .	6-68
3000–System RAM Tests . . . . .	6-69
3100–System RAM Tests . . . . .	6-69
3200–System Ram Tests . . . . .	6-70
3300–System RAM Tests . . . . .	6-70
3400–System RAM Tests . . . . .	6-71
3500–Acquisition RAM Tests . . . . .	6-71
3600–Command/Temporary RAM Tests . . . . .	6-71
3700–System RAM Tests . . . . .	6-72
3800–System RAM Tests . . . . .	6-72
4000–Front Panel Microprocessor Tests . . . . .	6-73
4700–Battery Status Tests . . . . .	6-75
5000–Waveform Processor Tests . . . . .	6-76
5100–Waveform Processor Run Task Tests . . . . .	6-76
5200–Busgrant Tests . . . . .	6-61
5300–Waveform Processor ROM Version Tests . . . . .	6-61
6000– Nonvolatile RAM Checksum Tests . . . . .	6-61
6100–Calibration Constants . . . . .	6-62
6200– Front Panel Control Setting Tests . . . . .	6-62
6300–Waveform Data Header Tests . . . . .	6-62
7000–CCD and Clock Drivers Tests . . . . .	6-62



Subject	Page
Extended Diagnostics – CONT	
7300–CCD and Clock Drivers Transfer Efficiency Tests . . . . .	6-64
7400–Peak Detector Tests . . . . .	6-64
8000–Preamplifier Tests . . . . .	6-65
8100–Acquisition System Position Offset Tests . . . . .	6-67
8200–Preamplifier Position Gain . . . . .	6-67
8300–Preamplifier Balance Tests . . . . .	6-68
8400–Preamplifier Gain and invert Gain Tests . . . . .	6-69
8600–Preamplifier Gain Variation Tests . . . . .	6-69
8700–Attenuator Tests . . . . .	6-70
9000–Trigger Generator Tests. . . . .	6-71
9100–Trigger Offset Tests . . . . .	6-73
9200–Trigger Gain Tests . . . . .	6-74
9300–Jitter Correction Samples . . . . .	6-62

**F**

Fan . . . . .	FP-107
Interconnection . . . . .	FP-5
Features, Extended . . . . .	1-3
FISO . . . . .	3-50
See <i>also</i> Time Base	
Flex Front . . . . .	FP-7, FP-45,FP-105
Flex Rear . . . . .	FP-5
Focus	
Amplifier . . . . .	3-71, FP-105
Auto . . . . .	3-71, FP-107
Troubleshooting . . . . .	6-45
Focus Control . . . . .	FP-105
See <i>also</i> Adjustments	
Forms . . . . .	.0-1
Front Panel . . . . .	3-5, 3-28
Auxiliary . . . . .	3-5, 3-31, 3-32,6-37,FP-45
Block Diagram . . . . .	6-62
Control Settings . . . . .	6-62
Initial (INIT) State . . . . .	6-68
Lock-Up . . . . .	4-5
Microprocessor . . . . .	6-73, FP-25
Multiplexer Test (MUXTEST) . . . . .	6-38
Pot Scanner . . . . .	3-28, FP-31
Pots . . . . .	FP-31
Switch Scanner . . . . .	3-28,FP-33
Switches . . . . .	3-27, FP-31
Troubleshooting . . . . .	6-37
Front Panel Board	
Board Location . . . . .	FP-29
Component Location . . . . .	FP-29, FP-31
Interconnection . . . . .	FP-5
Removal . . . . .	6-17, 6-18
Schematic Cross Reference.. . . .	FP-29
Front Panel Processor . . . . .	3-5, 3-26
Handshake Logic . . . . .	FP-27
I/O Bus . . . . .	FP-25
Schematic . . . . .	FP-25
Troubleshooting Waveforms. . . . .	FP-27

Subject	Page
<b>G</b>	
Gain Matching, Acquisition Mode .....	4-24
Gate Array .....	6-64,6-66
GPIB .....	3-74,4-30, FP-111
Bus Interconnection .....	FP-5
Diagnostic Operation .....	6-31
Extended Diagnostic (EXT DIAG) Command .....	6-31
Extended Diagnostics .....	6-43
External Calibration (EXT CAL) Command .....	6-31
LED Flex .....	FP-7, FP-111
Self Cal .....	6-31
Self Diagnostic (SELF DIAG) Command .....	6-31
Status .....	3-76, FP-111
Troubleshooting .....	6-37
TroubleShooting Waveforms .....	FP-111
Graticule	
Centering .....	4-13
Illumination .....	3-31, FP-45
Grid Bias .....	3-73
See also Adjustments	
Grid Coordinates, Diagram .....	6-8
<b>H</b>	
Handshake Logic .....	3-27
High Voltage .....	B
Oscillator .....	FP-107
Regulator .....	FP-105
High Voltage Board	
Board Location .....	FP-103
Component Location .....	FP-103, FP-105
Interconnection .....	FP-5, FP-7
Removal .....	6-19
Schematic Cross Reference .....	FP-103
Troubleshooting Waveforms .....	FP-107
High Voltage Supply .....	3-7,3-70
+60Volt .....	3-71
Anode Multiplier .....	3-71
Block Diagram .....	FP-3
Cathode .....	3-71
DC Restorer .....	3-72, FP-105
Oscillator .....	3-70
Regulator .....	3-70
Troubleshooting .....	6-43
Holdoff .....	3-6,3-54
See also Trigger	
A Trigger .....	3-54
Current Sources .....	3-54
Delay Range .....	3-54
Logic .....	3-55
Ramp Comparators .....	3-55
Register .....	6-68
Select .....	3-54
Troubleshooting .....	6-42
Variable .....	3-54

Subject	Page
Horizontal	
Buffer .....	6-62, FP-89
Data Buffers .....	3-59
Digital-to-Analog Converter (DAC) .....	3-61, FP-91
See also Digital-to-Analog Converter (DAC)	
Display Accuracy .....	4-21
Input Buffers .....	3-67
Mode .....	3-69
output .....	3-69, FP-99
Position Control .....	FP-31
RAM .....	FP-89
System .....	1-1
System Checks .....	4-21 —4-23
Vector Generator .....	3-67, FP-99

## I

Input	
Channel 1 .....	FP-61
Channel 2 .....	FP-63
Line .....	FP-115
Sequence .....	FP-109
Signal Conditioning .....	3-8
X .....	FP-61
Y .....	FP-63
Inspection. ....	6-4,6-9
Integrated Circuits .....	6-13
Descriptions .....	3-1
Dual In-Line Package (DIP) .....	6-13
Intensity	
Control .....	FP-45
Troubleshooting .....	6-43
Interconnection .....	6-11, FP-5, FP-7
Interrupt Latch .....	3-26
Troubleshooting. ....	6-50
Interrupt Logic .....	3-15, FP-17
Interrupt Register Troubleshooting. ....	6-49
Inverter .....	3-81, FP-117
See also Power Supply	

## J

Jitter	
Correction .....	3-53,6-62
Correction Ramps .....	3-6,3-52, FP-73, FP-75
Correction Ramps Block Diagram .....	FP-1
Counters .....	3-6,3-55, FP-77, FP-79
Counters Block Diagram .....	FP-1
Current Source .....	FP-73
Ramp Clamping .....	3-52
Ramp Switching .....	3-52
Switching .....	FP-73, FP-75
Troubleshooting. ....	6-35
Troubleshooting Waveforms .....	FP-75, FP-79

Subject	Page
<b>L</b>	
Line	
Filter .....	3-78
Filter Interconnection .....	FP-7
Fuse .....	2-2
Rectifier .....	3-77
Switching .....	3-77
Trigger .....	3-82,4-19, FP-115
Up .....	3-82, FP-115
Voltage Selection .....	2-1
Voltage Selector .....	4-1, FP-115
Voltage Selector Interconnection .....	FP-7
Linearity .....	4-9, 5-6
Low Voltage Power Supply .....	3-7
See also Power Supply and Low Voltage Power Supply Board	
Block Diagram .....	FP-3
Low Voltage Power Supply Board	
Board Location .....	FP-113
Component Location .....	FP-113, FP-115, FP-121
Interconnection .....	FP-7
Removal .....	6-20
Schematic Cross Reference .....	FP-113
<b>M</b>	
Main Board	
Board Location .....	FP-39
Component Location .....	FP-35, FP-37, FP-41, FP-45, FP-61, FP-65, FP-69, FP-73, FP-77, FP-81, FP-105
Interconnection .....	FP-5, FP-7
Removal .....	6-18
Schematic Cross Reference..	FP-39
Shift Registers .....	6-64
Maintenance	
Aids .....	6-11,6-12
Corrective .....	6-11 – 6-22
Precautions .....	6-11
Preventive .....	6-4-6-6
Measure	
Continuous-Update .....	4-27
Snapshot .....	4-27
Memory	
Acquisition .....	3-4,3-10,3-21, 3-39, FP-1 , FP-57
Acquisition RAM .....	6-71
Attributes .....	3-4, FP-3
Attributes RAM .....	3-59, FP-91
Buffer .....	3-16, FP-15
Command/Temporary RAM .....	6-71
Display .....	3-4,3-12, FP-3
Erase .....	4-31
Horizontal RAM .....	3-59, FP-89
Map .....	3-16
Mapped I/O .....	3-18
Mode Control .....	3-39, FP-57
Nonvolatile RAM .....	1-11,6-61
RAM .....	6-69,6-70, FP-15
ROM .....	FP-15

<b>Subject</b>	<b>Page</b>
Memory –CONT	
Save .....	3-12,3-21
System RAM .....	3-19,6-69,6-70,6-71, 6-72
System ROM .....	3-14
Vertical RAM .....	3-59, FP-89
Waveform Processor .....	3-25
Waveform Processor ROM .....	-23, 6-61, FP-21
Menu Switch	
interconnection .....	FP-5
Removal .....	6-21
Miscellaneous Register Troubieshooting .....	6-52,6-53
Mode Control Register Troubieshooting .....	6-54

## N

NVRAM (Nonvolatile RAM). See Memory

## O

output	
Bandwidth .....	4-12
Calibrator .....	FP-79
Sequence .....	3-74, FP-109
Signal .....	1-12, FP-63
Step Complete .....	FP-109
Voltage Accuracy .....	4-12
Word Recognizer .....	FP-109
Overload Protection .....	4-5

## P

Page Control Register (PCREG) Troubleshooting .....	6-48,6-49
Peak Detector .....	3-2,3-42,3-43,6-64
Block Diagram .....	FP-1
Calibration .....	6-31
Channel 1 .....	FP-65
Channel 2 .....	FP-67
Common Mode .....	3-44
Troubleshooting .....	6-65,6-64
Performance	
Checks .....	4-1,6-9
Conditions .....	1-3
Phase Clocks Block Diagram .....	FP-1
Phase Locked Loop .....	3-50, FP-69
Troubleshooting .....	6-35
Troubleshooting Waveforms .....	FP-71
Position, Trigger .....	4-20
Power	
AC Input .....	3-77, FP-115
AC Source .....	4-1
Cord .....	2-2
Distribution .....	6-7
Requirements .....	1-4

Subject	Page
Power Supply	
See also Low Voltage Power Supply	
+60 Volts .....	FP-107
-2volts .....	FP-67
Auxiliary .....	3-57, FP-81
Checks .....	6-9
Control .....	3-78, FP-117
Fault Sensing .....	FP-117
Inverter .....	FP-117
Low Voltage Regulators .....	FP-121
Preregulator .....	3-79, FP-115
Rectifiers .....	3-82, FP-117
References .....	FP-121, FP-123
Regulators .....	3-82
Ripple .....	6-10
Sense .....	FP-121
Troubleshooting .....	6-62, FP-125
Troubleshooting Waveforms .....	FP-119
Voltage Limits .....	6-10
Power-Down .....	2-3
Sequence .....	3-15
Power-On Diagnostic Tests .....	6-34
Power-Up .....	3-84, FP-123
Processor (PWRUP) .....	3-15
Reset .....	3-15, FP-15
Tests .....	6-9
Preamplifier .....	3-2,3-40
Balance .....	6-68
Block Diagram .....	FP-1
Channel .....	3-41, FP-61
Channe12 .....	3-42, FP-63
External Trigger .....	3-42, FP-63
Gain .....	6-69
Gain Variation .....	6-69
Position Gain.. .....	6-67
Troubleshooting .....	6-65
Preregulator. See Power Supply	
Probe Power .....	3-77, FP-5, FP-109
Processor Board	
Board Location .....	FP-11
Component Location .....	FP-11, FP-13, FP-15, FP-19, FP-109
Interconnection .....	FP-5, FP-7
Removal .....	6-17
Schematic Cross Reference.. .....	FP-11

## R

RAM	
Attributes .....	FP-91
Command/Temporary .....	6-71
Horizontal .....	FP-89
Nonvolatile .....	6-61
System .....	3-19,6-69,6-70,6-71, 6-72
Vertical .....	FP-89
Waveform Processor .....	3-25
Ramp Buffers .....	6-56, FP-91

Subject	Page
Readout	
Buffers .....	3-60,6-58,6-60, FP-91
Cursor Accuracy .....	4-21
State Machine .....	3-64, 3-66, FP-95
Volts/Div Accuracy .....	4-6
Rear Panel Interconnection .....	FP-5
Record-End Latch .....	FP-59
Rectifiers .....	3-82, FP-117
Sees/soPowerSupply	
Regulators .....	3-82
Sees/soPowerSupply	
Block Diagram .....	FP-3
High Voltage .....	FP-105
Low Voltage .....	3-7
Troubleshooting .....	6-62
Removal Procedure .....	6-14-6-22
Repair .....	6-10,6-11
Replacement Procedure .....	6-14-6-22
Reset Driver .....	FP-65
Roll Logic .....	FP-57
ROM	
System .....	3-14
Waveform Processor .....	3-23,6-61

## S

Safety .....	A.2-1
Sample and Hold .....	3-31
Scale Illumination .....	FP-45
See also Graticule Illumination	
Scale Illumination Board	
Board Location .....	FP-29
Component Location .....	FP-29, FP-45
Interconnection .....	FP-5
Removal .....	6-22
Schematic Cross Reference .....	FP-29
Self Calibration. See Calibration	
Sequencer Troubleshooting .....	6-42
Setup	
Auto .....	4-26
Initial .....	4-1, 4-3
Shipment .....	2-3
Short-Pipe. See Time Base	
Side Board	
Address Decoder .....	3-56
Board Location .....	FP-23
Component Location .....	FP-23, FP-25, FP-77
Interconnection .....	FP-5, FP-7
Removal .....	6-18-6-19
Schematic Cross Reference .....	FP-23
Slope, Trigger .....	4-19
Soldering .....	6-13-6-14
Speaker .....	FP-109
See also Bell	

<b>Subject</b>	<b>Page</b>
Spot Wobble Correction . . . . .	FP-97
<i>See also</i> Adjustments	
Start-Up . . . . .	2-2
Static Sensitivity. <i>See</i> Electrostatic Discharge	
Storage	
Administrative . . . . .	0-1
Save Functions. <i>See</i> Memory	
Waveform . . . . .	1-3
System	
Address Buffers . . . . .	FP-17
Address Decode . . . . .	FP-17
Clocks . . . . .	3-7,3-32, 6-62
Clocks Block Diagram . . . . .	FP-1
Clocks Schematic . . . . .	FP-53
DAC Block Diagram . . . . .	FP-1
Digital-to-Analog Converter (DAC). . . . .	3-5,6-64
<i>See also</i> Digital-to-Analog Converter	
I/O . . . . .	3-7,3-74
I/O Block Diagram . . . . .	FP-3
I/O Register . . . . .	FP-17
Microprocessor . . . . .	6-62, FP-15
Microprocessor Troubleshooting . . . . .	6-44
RAM . . . . .	3-19, FP-15
ROM . . . . .	3-14, FP-15
Sequencer . . . . .	FP-109
System Processor . . . . .	3-5,3-13,3-14
Block Diagram . . . . .	FP-1
Control Register . . . . .	3-20
Miscellaneous Registers . . . . .	6-50
Output Register . . . . .	3-20
Schematic . . . . .	FP-15
Troubleshooting . . . . .	6-48,6-50,6-62
Troubleshooting Waveforms . . . . .	FP-17
 <b>T</b>	
Temperature	
Ambient . . . . .	1-3
Warmup . . . . .	1-3, 5-1
Test Signals . . . . .	6-1
Thermal Shutdown . . . . .	3-78
Time Base . . . . .	1-10
Controller . . . . .	3-4,3-9,3-36,6-62,6-63
Controller Block Diagram . . . . .	FP-1
Controller Schematic . . . . .	FP-57
FISO Mode . . . . .	3-10,3-36
Reference Accuracy . . . . .	4-22
Short-Pipe Mode . . . . .	3-10, 3-37,3-38
Troubleshooting Waveforms . . . . .	FP-59
Time Base/Display Board	
Board Location . . . . .	FP-49
Component Location . . . . .	FP-49, FP-51, FP-53, FP-57, FP-85, FP-89, FP-97
Interconnection . . . . .	FP-5, FP-7
Removal . . . . .	6-16
Schematic Cross Reference. . . . .	FP-49



Subject	Page
Timing	
Error . . . . .	6-35
Troubleshooting . . . . .	6-35
Trace Rotation Control . . . . .	FP-105
See <i>also</i> Adjustments	
Traceability, NBS . . . . .	6-2
Transistors . . . . .	6-13
Trigger . . . . .	3-6,3-47
Block Diagram . . . . .	FP-1
Characteristics . . . . .	1-5
Control . . . . .	6-64
Display Level . . . . .	4-15
External Inputs . . . . .	FP-63
External Path Diagnostic Tests. . . . .	6-72
External Signal Level . . . . .	4-17
Functions . . . . .	4-18
Generator . . . . .	3-48, FP-71
Holdoff . . . . .	6-68, FP-79
See <i>also</i> Holdoff	
Holdoff Block Diagram . . . . .	FP-1
Holdoff Control . . . . .	FP-31
Holdoff Troubleshooting . . . . .	6-42
Internal Path Diagnostic Tests. . . . .	6-73
LED . . . . .	6-26, FP-33
Level . . . . .	4-6
Level Control . . . . .	FP-31
Level Readout Accuracy . . . . .	4-8
Line . . . . .	3-82,4-19, FP-115
Logic Array . . . . .	3-48, FP-71
Position . . . . .	4-20
Preamplifier for External input . . . . .	3-42
Self Calibration . . . . .	5-10
Sensitivity . . . . .	4-14, -16
Shift Register . . . . .	6-64
Signal Gain . . . . .	6-74
Signal Offset . . . . .	6-73
Slope . . . . .	4-19
Source. . . . .	4-18
Status Indicators . . . . .	3-28
Status LED Register . . . . .	FP-25
System . . . . .	1-1
System Checks . . . . .	4-14-4-20
Troubleshooting . . . . .	6-66,6-71
Troubleshooting Waveforms. . . . .	FP-71, FP-79
Word . . . . .	3-76, FP-109
Troubleshooting . . . . .	6-7-6-10
Acquisition . . . . .	6-34
Aids . . . . .	6-7
Analog . . . . .	6-36
DC Voltages . . . . .	FP-9
Dead Instrument . . . . .	6-62
Flowcharts . . . . .	6-8, FP-125, FP-127, FP-129
Initial Procedure . . . . .	6-33
Operational Problems . . . . .	6-34
Procedures . . . . .	6-32
Recommended Equipment . . . . .	FP-9
Techniques . . . . .	6-8
Voltages . . . . .	6-10
Waveforms . . . . .	6-10, FP-9

Subject	Page
<b>V</b>	
Vector	
Display	4-13
Response	4-13
Vector Generator,	3-13, FP-97, FP-99
Horizontal	3-67
Vertical	3-67
Vertical	
Buffer	6-61, FP-89
Channel Isolation	4-11
Digital-to-Analog Converter (DAC)	3-61, FP-89
See also Digita 140-Analog Converter (DAC)	
Input Buffers	3-67
Low Frequency Linearity	4-9,5-6
Mode	3-69
Output	3-69, FP-97
Position Control	FP-31
Position Range	4-10
RAM	FP-89
System	1-1
System Checks	4-5-4-13
Vector Generator	3-67, FP-97
Voltages, Setups for Troubleshooting	FP-9
Volts/Div, Control	FP-33
Volts/Div Control	FP-31
<b>W</b>	
Warmup for Adjustment	5-1
Waveform	
Acquisition	1-2
Data	6-62
Data Buffer	3-26
Processor. See Waveform Processor	
Test Setups for Troubleshooting	FP-9
Troubleshooting	6-10
Waveform Processor	3-4,3-12,3-21
Address	3-22
Address Decoding	3-24, FP-21
Block Diagram	FP-3
Clock	FP-19
Kernel Mode	6-66
Microprocessor	FP-21
RAM	3-25
Read/Write Enable	3-22
ROM	3-23, 6-61, FP-21
Troubleshooting	6-51, 6-76,6-66
Troubleshooting Waveforms	FP-21
Word	
Recognize	FP-109
Recognizer input interconnection	FP-5
Trigger	FP-109
Trigger Troubleshooting	6-40,6-52

**Subject**

**Page**

**Z**

Z-Axis

Amplifier .....	3-72, FP-107
Control .....	3-31, FP-47
Drive .....	3-73
Logic .....	3-64, FP-95





THEN... JOT DOWN THE DOPE ABOUT IT ON THIS FORM. CAREFULLY TEAR IT OUT. FOLD IT AND DROP IT IN THE MAIL!

# SOMETHING WRONG WITH THIS PUBLICATION?

FROM (PRINT YOUR UNIT'S COMPLETE ADDRESS)  
 Commander  
 Stateside Army Depot  
 ATTN: AMSTA-US  
 Stateside, N.J. 07703-5007

DATE SENT  
 10 July 1975

PUBLICATION NUMBER  
 TM 11-5840-340-12

PUBLICATION DATE  
 23 Jan 74

PUBLICATION TITLE  
 Radar Set AN/PRC-76

BE EXACT PIN-POINT WHERE IT IS

PAGE NO	PARA-GRAPH	FIGURE NO	TABLE NO
---------	------------	-----------	----------

2-25	2-28		
------	------	--	--

3-10	3-3		3-1
------	-----	--	-----

5-6	5-8		
-----	-----	--	--

F03

IN THIS SPACE TELL WHAT IS WRONG AND WHAT SHOULD BE DONE ABOUT IT:

Recommend that the installation antenna alignment procedure be changed throughout to specify a 2° IFF antenna lag rather than 1°.

REASON: Experience has shown that with only a 1° lag, the antenna servo system is too sensitive to wind gusting in excess of 25 knots, and has a tendency to rapidly accelerate and decelerate as it hunts, causing strain to the drive train. Hunting is minimized by adjusting the lag to 2° without degradation of operation.

Item 5, Function column. Change "2 db" to "3db."

REASON: The adjustment procedure for the TRANS POWER FAULT indicator calls for a 3 db (500 watts) adjustment to light the TRANS POWER FAULT indicator.

Add new step f.1 to read, "Replace cover plate removed in step e.1, above."

REASON: To replace the cover plate.

Zone C 3. On J1-2, change "+24 VDC to "+5 VDC."

REASON: This is the output line of the 5 VDC power supply. +24 VDC is the input voltage.

PRINTED NAME GRADE OR TITLE AND TELEPHONE NUMBER

SSG I. M. DeSpirito 999-1776

SIGN HERE

FILL IN YOUR UNIT'S ADDRESS

FOLD BACK

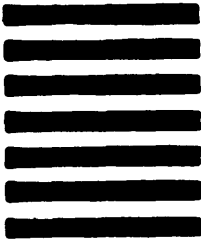
DEPARTMENT OF THE ARMY

\_\_\_\_\_  
\_\_\_\_\_

OFFICIAL BUSINESS



NO POSTAGE  
NECESSARY  
IF MAILED  
IN THE  
UNITED STATES



**BUSINESS REPLY MAIL**  
FIRST CLASS MAIL PERMIT NO. 144 RED BANK, NJ

POSTAGE WILL BE PAID BY

Commander  
US Army Communications-Electronics Command  
and Fort Monmouth  
ATTN: AMSEL-LC-LM-LT  
Fort Monmouth, New Jersey 07703-9988

**SAMPLE**



FOLD BACK

TEAR ALONG PERFORATED LINE

RECOMMENDED CHANGES TO EQUIPMENT TECHNICAL PUBLICATIONS



# SOMETHING WRONG WITH THIS PUBLICATION?

*THEN...JOT DOWN THE DOPE ABOUT IT ON THIS FORM. CAREFULLY TEAR IT OUT. FOLD IT AND DROP IT IN THE MAIL.*

FROM: (PRINT YOUR UNIT'S COMPLETE ADDRESS)

DATE SENT

PUBLICATION NUMBER  
TM 11-6625-3241-40

PUBLICATION DATE  
1 March 1991

PUBLICATION TITLE  
Oscilloscope OS-291/G

BE EXACT PIN-POINT WHERE IT IS

PAGE NO.	PARA-GRAPH	FIGURE NO.	TABLE NO.

IN THIS SPACE TELL WHAT IS WRONG AND WHAT SHOULD BE DONE ABOUT IT:

PRINTED NAME GRADE OR TITLE AND TELEPHONE NUMBER

SIGN HERE

TEAR ALONG THIS RECOMMENDATION LINE

FILL IN YOUR  
UNIT'S ADDRESS

FOLD BACK

DEPARTMENT OF THE ARMY



OFFICIAL BUSINESS



NO POSTAGE  
NECESSARY  
IF MAILED  
IN THE  
UNITED STATES



**BUSINESS REPLY MAIL**  
FIRST CLASS MAIL PERMIT NO 144 RED BANK, NJ

POSTAGE WILL BE PAID BY

Commander  
US Army Communications-Electronics Command  
and Fort Monmouth  
ATTN: AMSEL-LC-LM-LT  
Fort Monmouth, New Jersey 07703-9988

TEAR ALONG PERFORATED LINE



FOLD BACK



RECOMMENDED CHANGES TO EQUIPMENT TECHNICAL PUBLICATIONS



THEN...JOT DOWN THE DOPE ABOUT IT ON THIS FORM. CAREFULLY TEAR IT OUT. FOLD IT AND DROP IT IN THE MAIL.

SOMETHING WRONG WITH THIS PUBLICATION?

FROM: (PRINT YOUR UNIT'S COMPLETE ADDRESS)

DATE SENT

PUBLICATION NUMBER

TM 11-6625-3241-40

PUBLICATION DATE

1 March 1991

PUBLICATION TITLE

Oscilloscope OS-291/G

BE EXACT PIN-POINT WHERE IT IS

PAGE NO

PARA-GRAPH

FIGURE NO.

TABLE NO.

IN THIS SPACE TELL WHAT IS WRONG AND WHAT SHOULD BE DONE ABOUT IT:

TEAR ALONG THIS LINE

PRINTED NAME GRADE OR TITLE AND TELEPHONE NUMBER

SIGN HERE

FILL IN YOUR  
UNIT'S ADDRESS

FOLD BACK

DEPARTMENT OF THE ARMY

\_\_\_\_\_  
\_\_\_\_\_



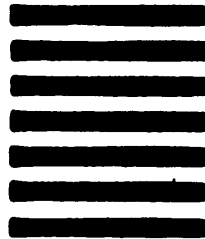
OFFICIAL BUSINESS

NO POSTAGE  
NECESSARY  
IF MAILED  
IN THE  
UNITED STATES

**BUSINESS REPLY MAIL**  
FIRST CLASS MAIL PERMIT NO 144 RED BANK, NJ

POSTAGE WILL BE PAID BY

Commander  
US Army Communications-Electronics Command  
and Fort Monmouth  
ATTN: AMSEL-LC-LM-LT  
Fort Monmouth, New Jersey 07703-9988



TEAR ALONG PERFORATED LINE



FOLD BACK

RECOMMENDED CHANGES TO EQUIPMENT TECHNICAL PUBLICATIONS



THEN...JOT DOWN THE DOPE ABOUT IT ON THIS FORM. CAREFULLY TEAR IT OUT. FOLD IT AND DROP IT IN THE MAIL.

**SOMETHING WRONG WITH THIS PUBLICATION?**

FROM: (PRINT YOUR UNIT'S COMPLETE ADDRESS)

DATE SENT

PUBLICATION NUMBER

TM 11-6625-3241-40

PUBLICATION DATE

1 March 1991

PUBLICATION TITLE

Oscilloscope OS-291/G

BE EXACT PIN-POINT WHERE IT IS

PAGE NO	PARA-GRAPH	FIGURE NO.	TABLE NO.

IN THIS SPACE TELL WHAT IS WRONG AND WHAT SHOULD BE DONE ABOUT IT:

*(This area is currently blank for user input.)*

PRINTED NAME GRADE OR TITLE AND TELEPHONE NUMBER

SIGN HERE

TEAR ALONG PERFORATED LINE

FILL IN YOUR  
UNIT'S ADDRESS

FOLD BACK

DEPARTMENT OF THE ARMY

\_\_\_\_\_  
\_\_\_\_\_

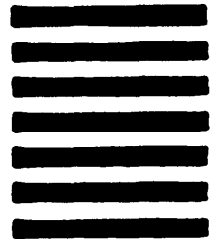
OFFICIAL BUSINESS

**BUSINESS REPLY MAIL**  
FIRST CLASS MAIL PERMIT NO 144 RED BANK NJ

POSTAGE WILL BE PAID BY

Commander  
US Army Communications-Electronics Command  
and Fort Monmouth  
ATTN: AMSEL-LC-LM-LT  
Fort Monmouth, New Jersey 07703-9988

NO POSTAGE  
NECESSARY  
IF MAILED  
IN THE  
UNITED STATES



FOLD BACK

TEAR ALONG PERFORATED LINE

By Order of the Secretary of the Army:

CARL E. VUONO  
*General, United States Army*  
*Chief of Staff*

Official:

PATRICIA P. HICKERSON  
*Colonel, United States Army*  
*The Adjutant General*

By Order of the Marine Corps:

H. E. REESE  
*Deputy for Support*  
*Marine Corps Research*  
*Development and Acquisition*  
*Command*

DISTRIBUTION:

To be distributed in accordance with DA Form 12-36-E,  
block 9137, Direct Support/General Support Maintenance  
requirements for TM 11-6625-324140.

☆ U.S. GOVERNMENT PRINTING OFFICE: 1991--512-085/40114



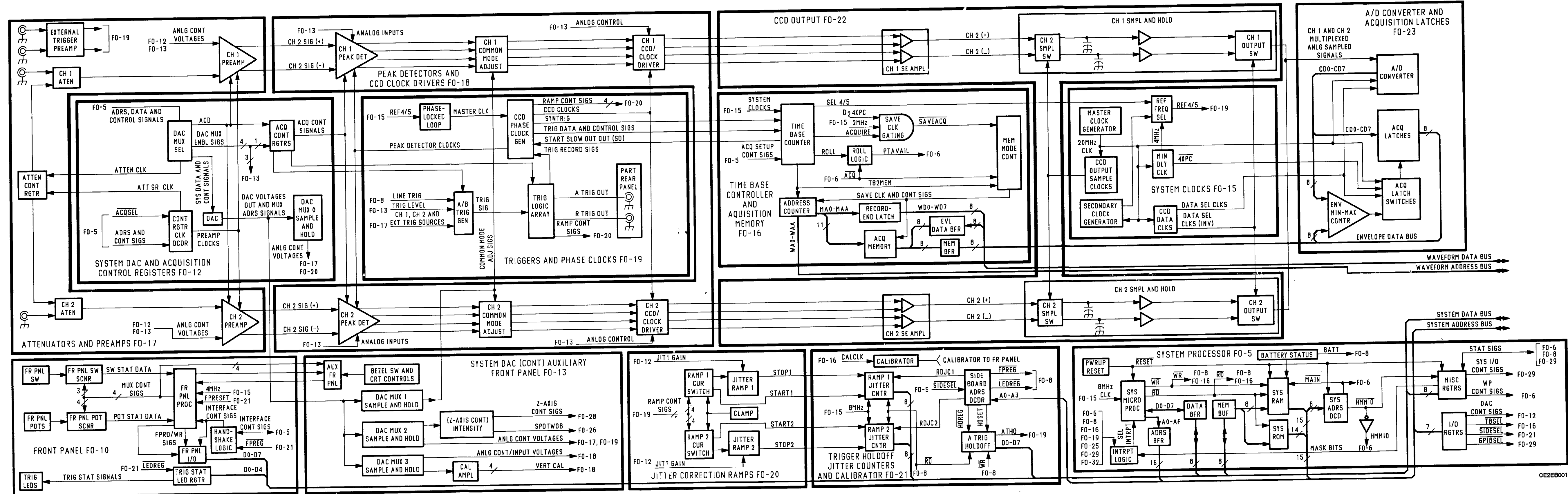


Figure FO-1. Block Diagram (Sheet 1 of 2).  
FP-1/(FP-2 blank)

CE2EB001

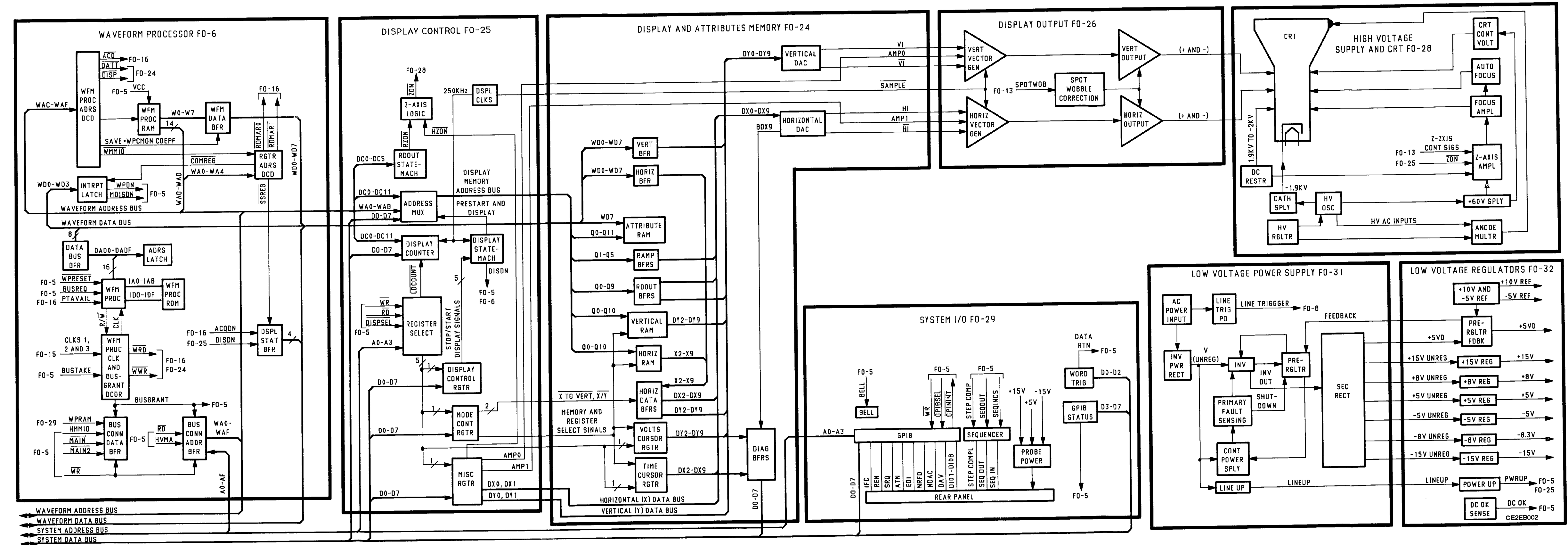


Figure FO-1. Block Diagram (Sheet 2 of 2). FP-3/(FP-4 blank)



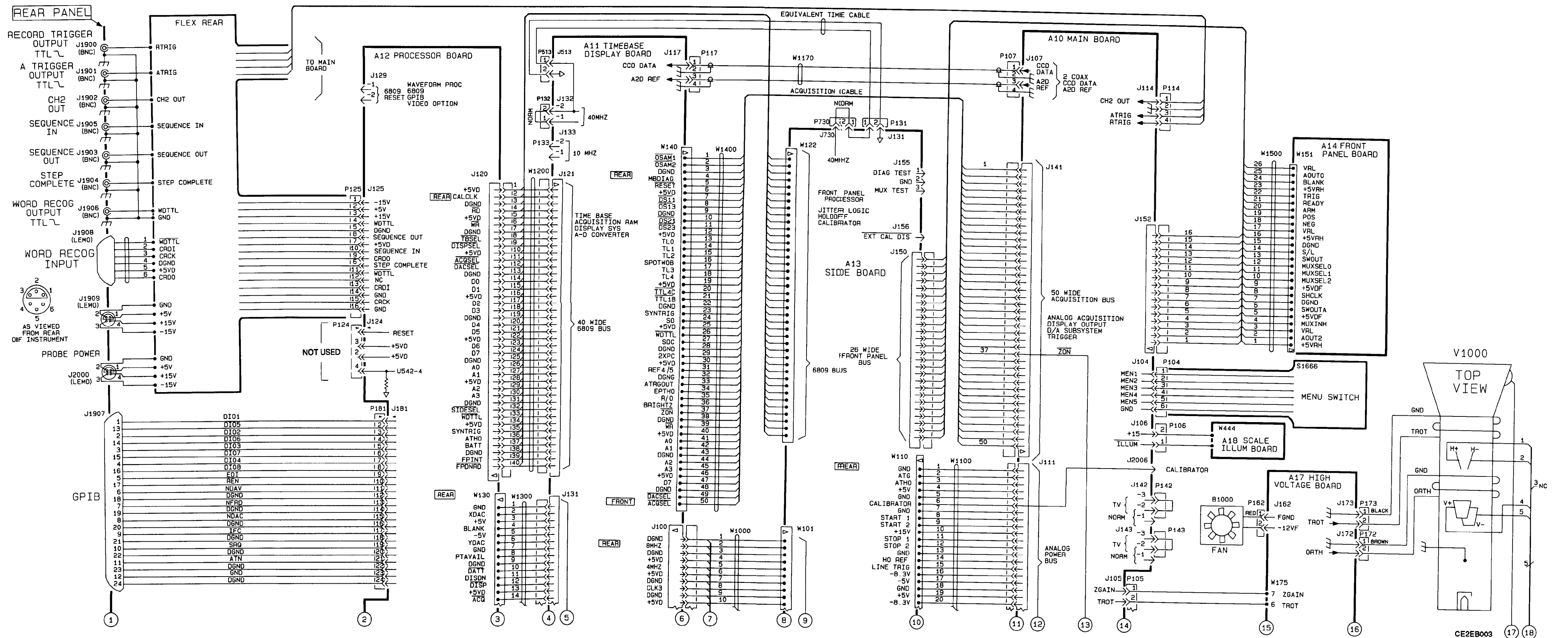


Figure FO-2. Circuit Board Interconnection Diagram (Sheet 1 of 2). FP-5/(FP-6 blank)

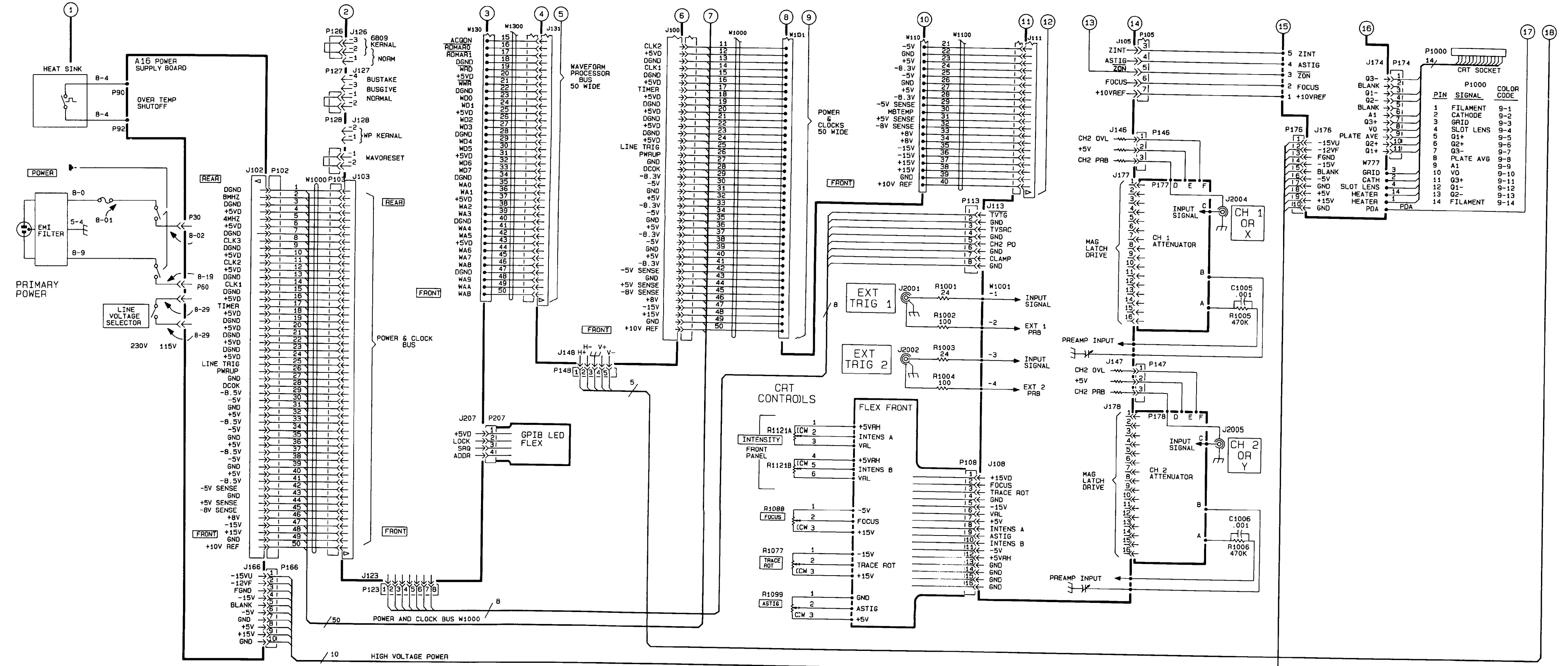


Figure FO-2. Circuit Board Interconnection Diagram (Sheet 2 of 2).

**SETUPS FOR TEST WAVEFORMS**

Test waveforms in a schematic figure (if applicable) are included on the same sheet as the schematic or on the last sheet of the figure, following the schematic. They are provided to aid in troubleshooting the Oscilloscope OS-291/G. Special conditions required of the test oscilloscope are given above the waveform illustrations. Special conditions required of the instrument under test are given beneath the waveform illustration. Unless otherwise stated, the test conditions listed for the first waveform pertain to all the waveforms for a given schematic. Normal control settings for the test oscilloscope are given in the readouts shown in each waveform illustration.

**Chassis Component-to-Schematic Cross Reference**

CIRCUIT NUMBER	FO NUMBER	CIRCUIT NUMBER	FO NUMBER	CIRCUIT NUMBER	FO NUMBER
C1005	17	P103	29	P141	13
C1006	17	P104	13	P141	18
		P105	13	P141	19
F1000	31	P105	28	P141	22
		P106	13	P141	28
FL100	31	P107	22	P146	17
		P108	13	P147	17
J30	31	P108	28	P148	26
J60	31	P111	13	P150	8
J70	31	P111	18	P152	13
J80	31	P111	19	P162	28
J1900	19	P111	20	P166	32
J1901	19	P111	21	P172	28
J1902	17	P111	22	P173	28
J1903	29	P113	17	P174	28
J1904	29	P113	19	P176	28
J1905	29	P114	17	P181	29
J1906	29	P114	19	P207	29
J1907	29	P117	23		
J1908	29	P120	12	R1000	31
J1909	29	P120	29	R1003	17
J2000	29	P120	21	R1005	17
J2001	17	P121	16	R1006	17
J2002	17	P121	25	R1015	17
J2004	17	P121	26	R1016	17
J2005	17	P123	21	R1077	28
		P124	6	R1088	28
L1000	28	P125	29	R1099	28
		P126	12	R1121	13
P100	15	P127	6		
P100	25	P128	6	S1000	31
P100	26	P131	16	S1020	31
P102	31	P131	24	S1350	31
P102	32	P131	25		
P103	5	P131	26	V1000	28
P103	6	P141	12		

**SETUPS FOR DC VOLTAGE MEASUREMENTS**

DC voltages indicated on the schematic diagrams are typical of a normally operating instrument. Voltages are with respect to chassis ground except in the isolated portion of the Low Voltage Power Supply, where they are with respect to the REF NODE indicated by the darker line in the Control Power Supply circuitry.

**RECOMMENDED TEST EQUIPMENT FOR TEST WAVEFORMS AND DC VOLTAGE MEASUREMENTS**

Description	Suggested	U.S. Army Equivalent
1. Test Oscilloscope with 10X Probe	TEKTRONIX 2430A with 10X Probe	Oscilloscope OS-291/G
2. 1X Probe	TEKTRONIX P6101A <sup>1</sup>	TEKTRONIX P6101A
3. Calibration Generator	TEKTRONIX PG 506 <sup>1</sup>	Bal. 6126M
4. Digital Voltmeter (DMM)	TEKTRONIX DM 501A <sup>1</sup>	TEKTRONIX DM 501A
5. High Voltage Probe for DMM	FLUKE Model 80K-40 High Voltage Probe	
6. Precision Coaxial Cable	TEKTRONIX Part Number 012-0482-00	Bal. 6126M
7. Dual Input Coupler	TEKTRONIX Part Number 067-0525-01	067-0525-02

<sup>1</sup>TM 500 Series Power Module required.

Figure FO-3. Chassis Parts, Test Equipment, and Setups for Test Waveforms and Voltage Measurements. FP-9/(FP-10 blank)

A12 Processor Board Component-to-Schematic Cross Reference

CIRCUIT NUMBER	SCHEM NUMBER	CIRCUIT NUMBER	SCHEM NUMBER	CIRCUIT NUMBER	SCHEM NUMBER	CIRCUIT NUMBER	SCHEM NUMBER	CIRCUIT NUMBER	SCHEM NUMBER	CIRCUIT NUMBER	SCHEM NUMBER
C104	29	C862	29	Q104	29	R649	5	TP842	6	U632	5
C105	29	C862	29	Q107	29	R649	5	TP902	29	U840	5
C107	29	C884	29	Q244	6	R710	29			U650	5
C120	29	C886	29	Q332	6	R717	29	U120	29	U654	5
C130	29	C894	29	Q588	29	R718	29	U130	5	U650	5
C132	29	C904	5	Q692	29	R722	29	U132	29	U664	5
C150	29	C936	29	Q694	29	R742	5	U132	6	U688	5
C202	29	C938	5	Q696	29	R744	5	U250	5	U670	5
C204	29	C944	5	Q720	29	R746	5	U250	6	U680	5
C209	29	C948	5	Q804	5	R748	5	U250	29	U682	5
C238	29	C950	5	Q842	5	R764	5	U254	5	U690	5
C278	29	C984	29	Q950	5	R792	29	U254	6	U692	5
C335	29	C980	29			R794	29	U260	6	U720	29
C342	6			R103	29	R796	29	U262	6	U730	5
C344	6			R104	29	R801	5	U262	29	U750	29
C348	29	CR104	29	R105	29	R820	5	U264	29	U754	29
C358	29	CR107	29	R106	29	R822	5	U270	6	U760	5
C360	29	CR122	29	R107	29	R830	5	U270	6	U830	5
C366	29	CR244	6	R108	29	R884	5	U274	29	U840	6
C370	29	CR594	29	R120	29	R896	5	U276	6	U840	6
C372	29	CR596	29	R122	29	R900	5	U332	5	U844	5
C374	29	CR722	29	R244	6	R936	5	U332	6	U844	29
C386	29	CR806	5	R249	6	R938	5	U332	29	U850	5
C452	29	CR944	5	R274	29	R940	5	U350	6	U850	6
C462	29	CR982	29	R275	29	R941	5	U352	6	U854	5
C464	29	DL580	6	R300	29	R945	5	U360	6	U860	5
C466	29			R332	29	R946	5	U364	6	U862	5
C472	29			R342	6	R948	5	U366	6	U866	5
C474	29	J103	5	R344	6	R952	5	U424	29	U870	5
C484	29	J103	6	R345	6	R954	5	U432	5	U870	6
C532	29	J103	29	R348	6	R956	5	U432	6	U874	6
C542	29	J120	5	R349	6	R957	6	U440	6	U880	5
C550	29	J120	29	R370	6			U480	6	U880	5
C572	29	J124	6	R374	6	TP332	29	U490	6	U890	5
C580	29	J125	29	R375	6	TP370	6	U532	29	U894	5
C582	6	J126	5	R378	6	TP371	6	U540	6	U894	5
C586	6	J127	6	R474	6	TP372	29	U542	6	U940	5
C590	29	J128	6	R474	6	TP373	6	U542	6	U942	5
C592	29	J129	6	R476	6	TP374	6	U550	6		
C620	29	J181	29	R672	6	TP375	6	U552	6		
C646	29	J184	6	R580	6	TP376	29	U560	6	VR105	29
C670	29	J207	29	R682	6	TP562	6	U570	6	VR117	29
C720	29	J790	5	R584	6	TP574	29	U572	6		
C748	29			R590	6	TP576	6	U572	6	W130	6
C784	29	L976	29	R592	6	U572	5	U572	6	W130	29
C786	29	L984	29	R594	29	TP580	6	U572	6	W800	5
C774	29	L990	29	R596	29	TP774	29	U572	6	W802	5
C780	29	L992	29	R597	29	TP820	5	U572	6	W900	5
C782	29			R598	29	TP840	5	U572	6	W902	5
C850	29	LS498	29	R628	29	TP840	5	U572	6		

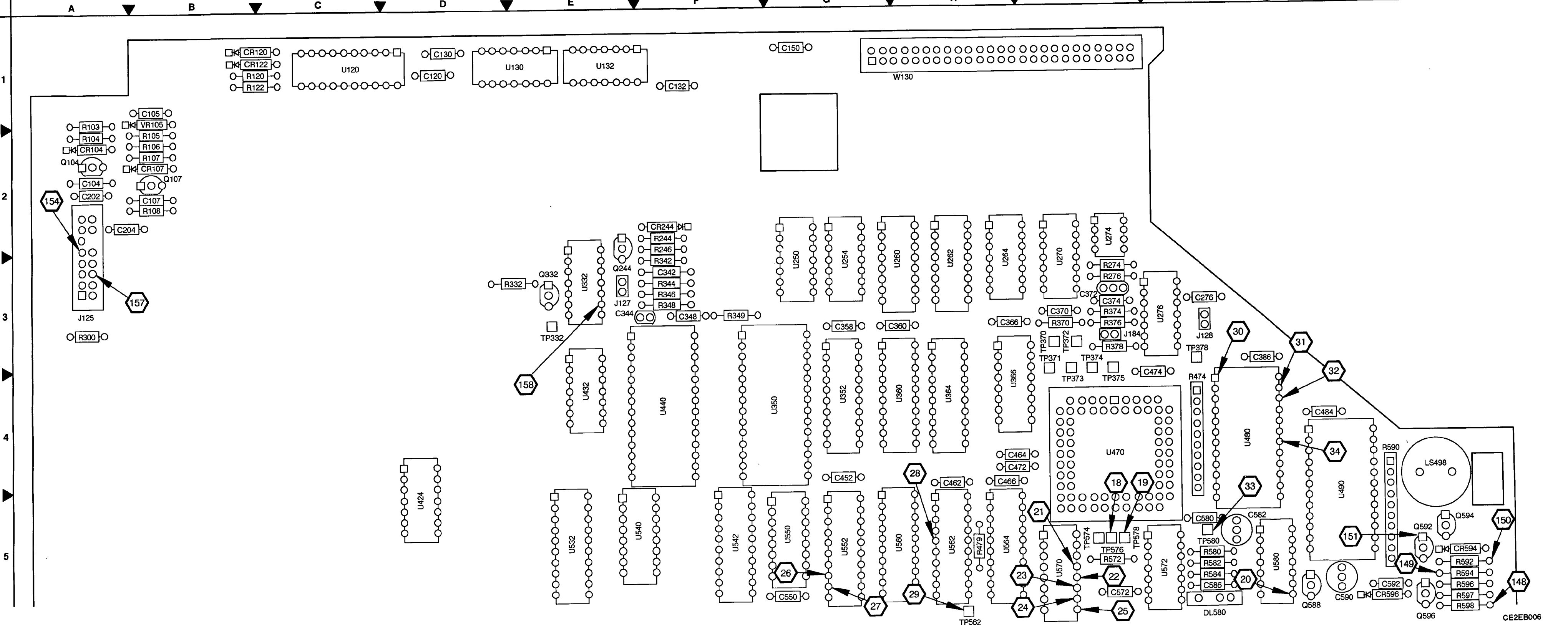
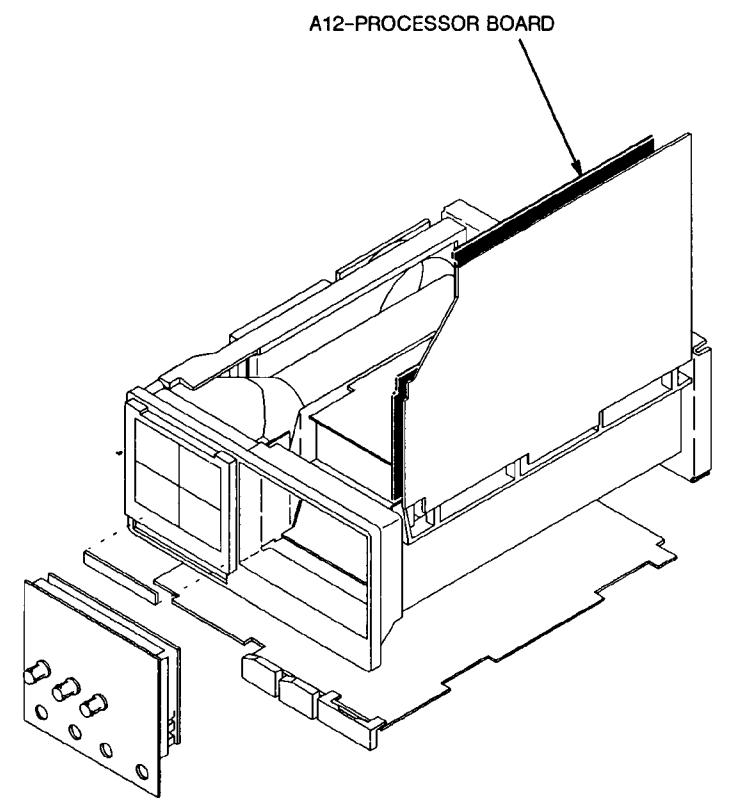
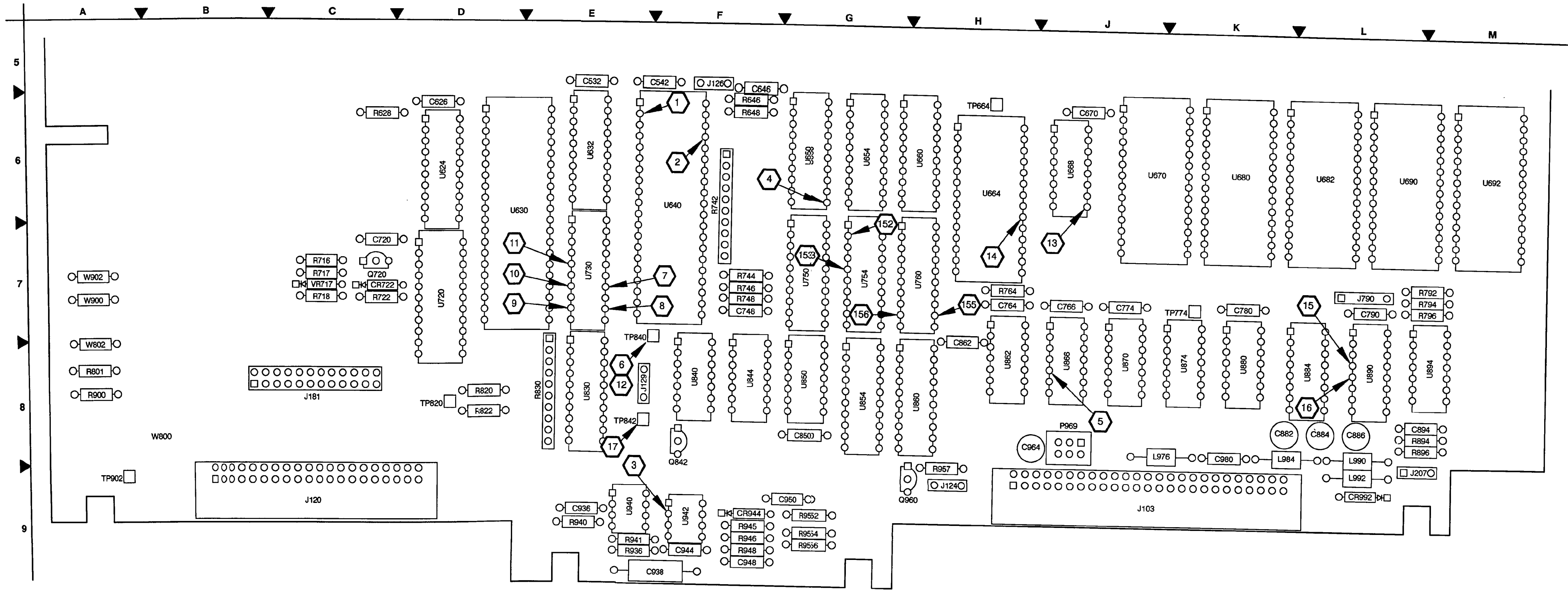


Figure FO-4. A12 Processor Board Component Locator (Sheet 1 of 2)  
FP-11/(FP-12 blank)



CE2EB007  
Figure FO-4. A12 Processor Board Component Locator (Sheet 2 of 2).  
FP-13/(FP-14 blank)

Location of the Components Shown in this Figure and in Figure FO-4.

CIRCUIT NUMBER	SCHEM LOCATION	BOARD LOCATION	CIRCUIT NUMBER	SCHEM LOCATION	BOARD LOCATION	CIRCUIT NUMBER	SCHEM LOCATION	BOARD LOCATION	CIRCUIT NUMBER	SCHEM LOCATION	BOARD LOCATION
<b>A12 PROCESSOR BOARD<sup>1</sup></b>											
C904	1H	9B	R742	6D	6F	U250D	4K	3G	U860	7F	8H
C938	5A	9F	R742A	5C	9F	U254A	8B	3E	U862A	4K	8H
C944	4A	9F	R742B	5B	9F	U332A	4L	3E	U862B	4L	8H
C948	2G	9F	R742C	4C	6F	U432B	4K	4E	U862B	4M	8J
C950	2H	9G	R744	7D	7F	U572C	5D	5K	U866B	4M	8J
			R746	7D	7F	U580A	3M	5L	U866C	5L	8J
CR806	2H	7E	R746	7J	7F	U580B	7B	5L	U866D	4D	8J
CR844	2H	9F	R764	2H	7H	U632	6G	6E	U870B	5H	8J
			R801	1J	7A	U640	4C	6F	U870D	5D	8J
			R820	8L	8D	U650	7E	6G	U880A	6B	8K
J103	4A	9N	R822	8L	8D	U654	9C	6G	U880B	7B	8K
J103	5A	9N	R830	8L	8E	U660	2M	6H	U880C	6D	8K
J103	9A	9N	R830	8L	8E	U664	2K	6H	U880D	4D	8K
J120	1K	9C	R896	6B	8M	U666	4J	6J	U884	5J	8L
J120	2E	9C	R900	5B	8M	U670	1A	6J	U880A	5E	8L
J120	4M	9C	R906	5A	9E	U680	1B	6K	U880B	5G	8L
J120	5K	9C	R940	5B	9E	U682	1C	6L	U844A	6B	8M
J120	8M	9C	R941	5B	9E	U690	1D	6L	U840A	1J	9E
J126	5E	9F	R945	2G	9F	U692	1E	6M	U842	4A	9F
J129	5A	9E	R946	2G	9F	U730	8H	7E			
J780	6H	7L	R948	2G	9F	U760	7L	7H	W800	1J	8B
			R952	2H	9G	U850	8K	8E	W802	1J	7A
Q804	1H	8A	R954	2H	9G	U840D	4D	8F	W800	1H	7A
Q842	2G	9F	R954	2H	9G	U844A	4E	8F	W802	1H	7A
Q890	2H	9H				U844B	4D	8F			
R648	6E	8F	TF820	4E	8D	U844C	5B	8F			
R648	6G	8F	TF840	8H	7F	U850B	7C	8G			
						U854	7K	8G			
<b>CHASSIS PARTS (NOT MOUNTED ON ANY CIRCUIT BOARD)</b>											
P103	4A	CHASSIS	P120	1K	CHASSIS	P120	8K	CHASSIS	P126	5D	CHASSIS
P103	5A	CHASSIS	P120	2M	CHASSIS	P120	8A	CHASSIS			
P103	9A	CHASSIS	P120	4E	CHASSIS			CHASSIS			

<sup>1</sup>A partial schematic of the A12 Processor Board is also shown in fig. FO-6, and FO-29. Component locations are shown in fig. FO-4.

**NOTE**

This circuit contains static-sensitive devices. See page C at the front of this manual for information on handling static-sensitive devices.

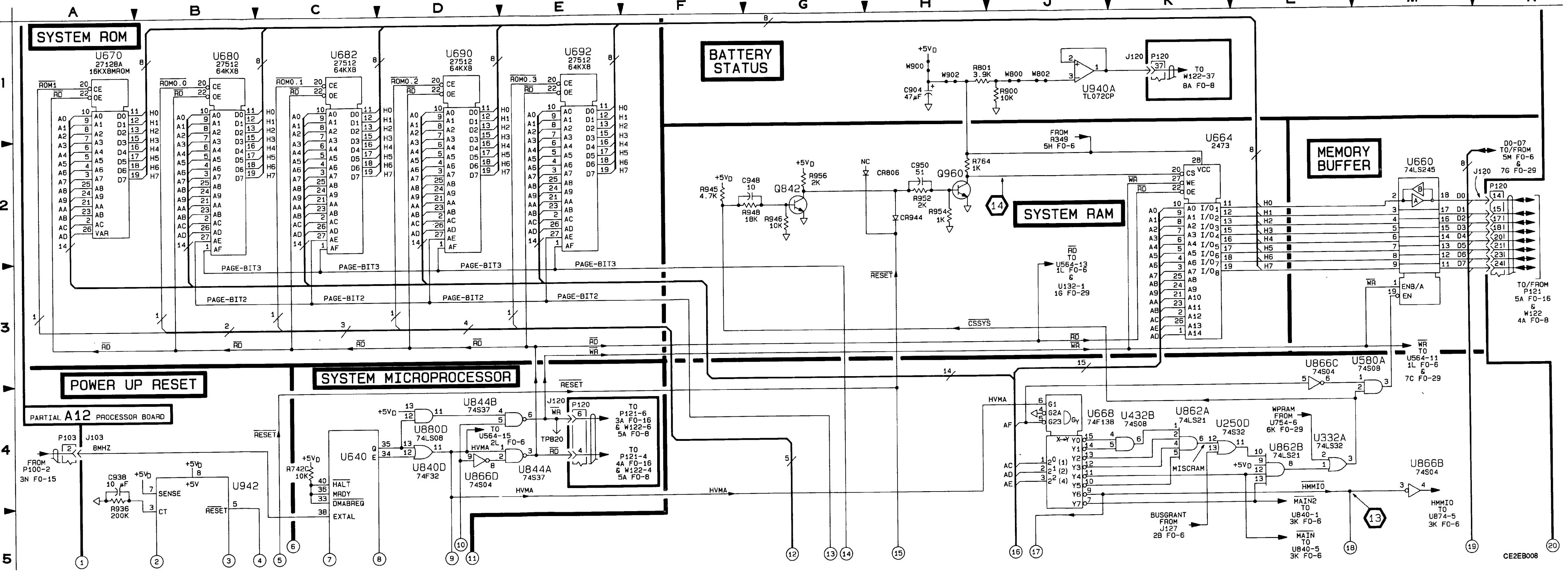


Figure FO-5. System Processor Schematic (Sheet 1 of 2).  
FP-15/(FP-16 blank)



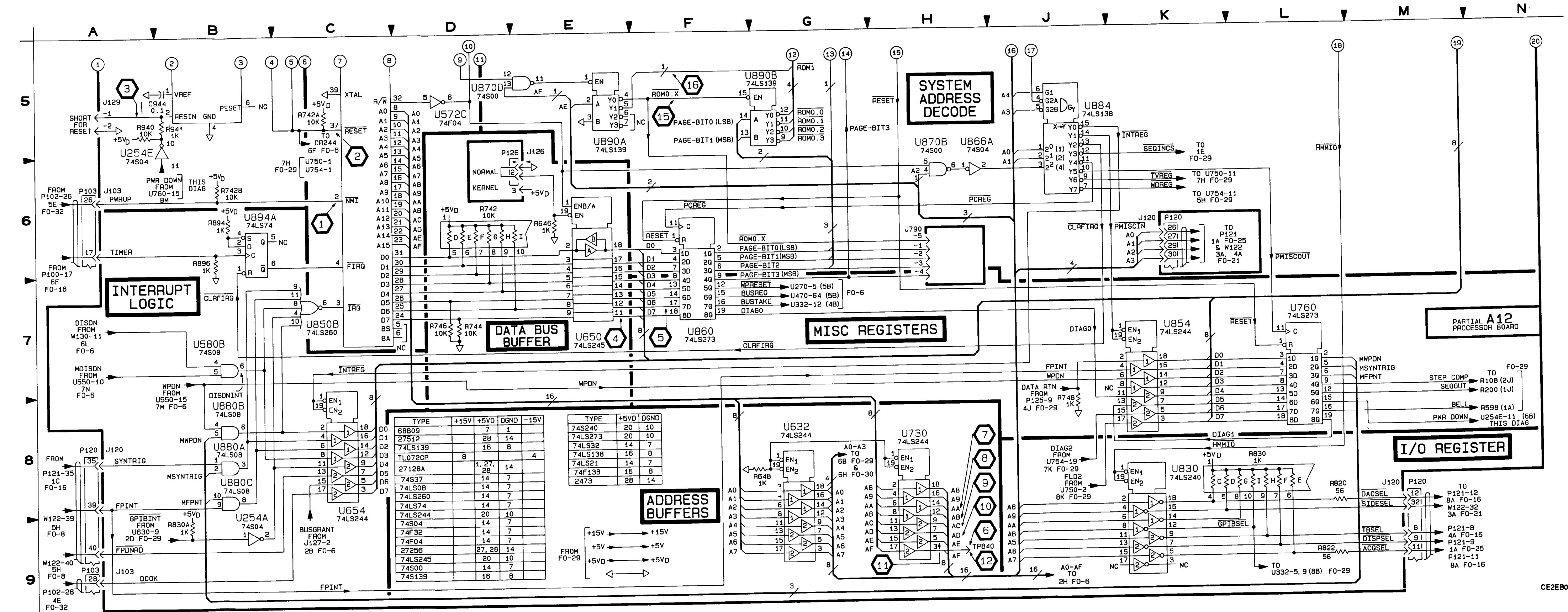
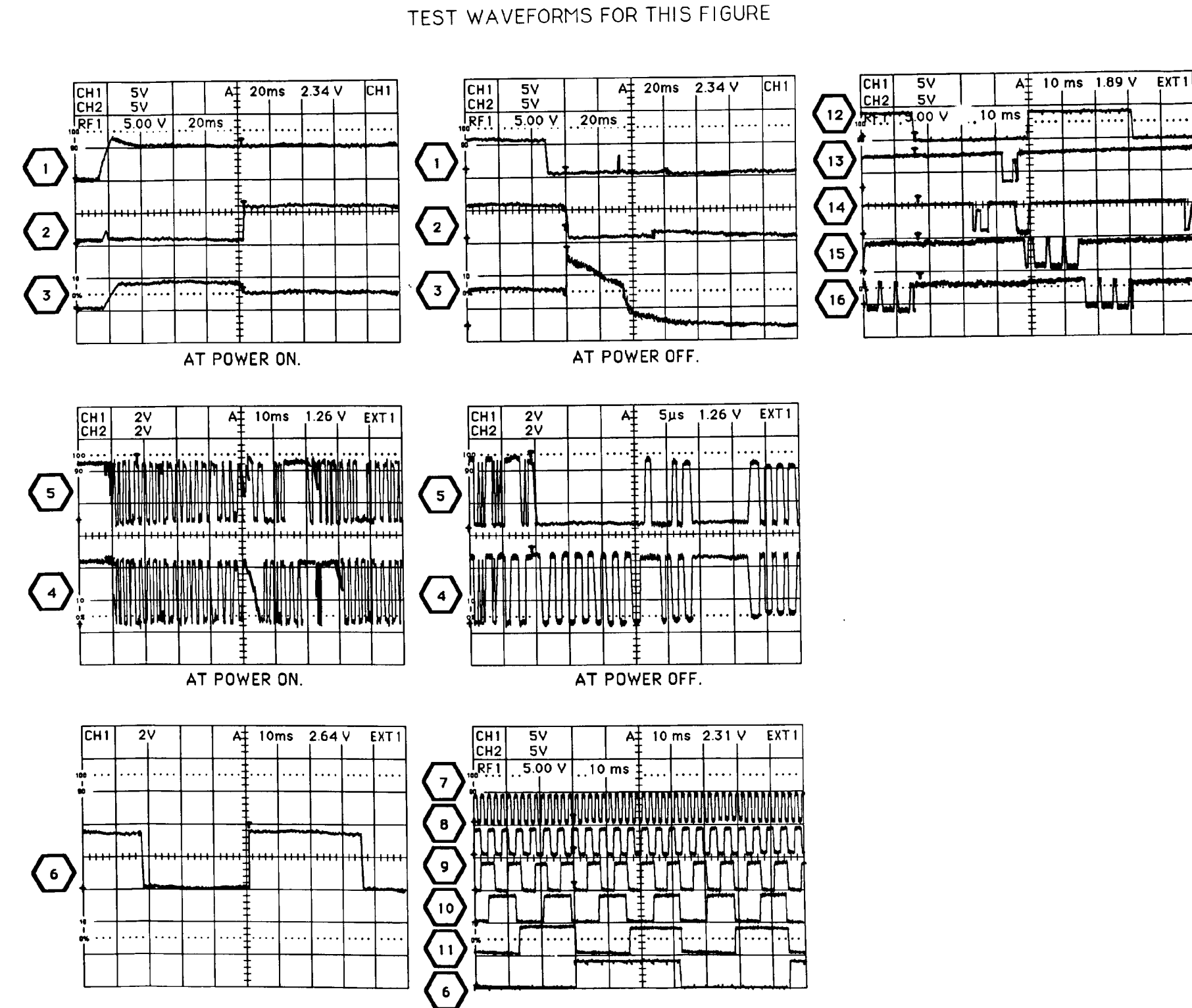


Figure FO-5. System Processor Schematic (Sheet 2 of 2).  
FP-17/(FP-18 blank)

**Location of the Components Shown in this Figure and in Figure FO-4.**

CIRCUIT NUMBER	SCHEM LOCATION	BOARD LOCATION	CIRCUIT NUMBER	SCHEM LOCATION	BOARD LOCATION	CIRCUIT NUMBER	SCHEM LOCATION	BOARD LOCATION	CIRCUIT NUMBER	SCHEM LOCATION	BOARD LOCATION
<b>A12 PROCESSOR BOARD<sup>1</sup></b>											
C342	5E	3F	R378	8C	3J	U254C	3K	3G	U552	3N	5G
C344	5F	3F	R474	7C	4K	U254D	3M	3G	U560	2E	5H
C582	8F	5K	R474	8B	4K	U254F	3K	3G	U562	2E	5H
C586	3A	6K	R572	1E	5K	U250	1K	3H	U554	1M	5H
CR244	6F	2F	R580	4B	5K	U284A	3C	3H	U570	4D	5J
DL580	2A	6K	R582	5B	5K	U284B	1C	3H	U572A	4B	5K
J103	1A	9N	R584	1E	4L	U270A	3B	3J	U572B	3C	5K
J124	8F	9H	R590	6B	4L	U270B	1E	3J	U572E	2D	5K
J124	2A	9H	R590	7C	4L	U270C	5B	3J	U580C	5E	5L
J124	7M	9H	R597	7L	8H	U270D	6J	3J	U580D	4H	5L
J127	1A	3F	TP370	5C	3J	U270E	2B	3J	U846A	3K	8F
J128	9A	3K	TP371	5C	3J	U270B	1F	9K	U860F	2C	8J
J184	5B	3K	TP373	4C	4J	U350	5J	4G	U870C	2C	8J
Q244	5F	3F	TP374	5C	3J	U352	4K	4G	U880E	1B	8J
Q332	5G	3E	TP375	5C	4J	U360	3D	4H	U886F	2C	8J
R244	5E	2F	TP376	4C	4J	U364	1H	4H	U870C	2C	8J
R248	5E	3F	TP578	4C	5J	U432A	5G	4E	U874A	4K	8K
R342	5E	3F	TP580	7D	5K	U432D	4L	4E	U874D	3J	8K
R344	5F	3F	TP842	1B	8E	U440	7J	4F			
R348	5F	3F	U130A	7D	1E	U470	5C	4H	W130	2N	1H
R348	5F	3F	U132C	5E	1E	U480	6A	4K	W130	5A	1H
R348	4G	3F	U132C	7E	1E	U480	7A	5L	W130	7E	1H
R370	4D	3J	U250A	2D	3G	U540	8K	5E	W130	7E	1H
R374	5B	3J	U250B	2D	3G	U542A	8L	5F			
R376	6A	3J	U254B	1H	3G	U542B	1D	5F			
			U550	6N	5G		5G				
<b>CHASSIS PARTS (NOT MOUNTED ON ANY CIRCUIT BOARD)</b>											
P103	1A	CHASSIS	P124	6F	CHASSIS	P127	2A	CHASSIS			
P103	2A	CHASSIS	P124	7M	CHASSIS	P128	6A	CHASSIS			

<sup>1</sup>A partial schematic of the A12 Processor Board is also shown in fig. FO-5 and FO-29. Component locations are shown in fig. FO-4.

**NOTE**

This circuit contains static-sensitive devices. See page C at the front of this manual for information on handling static-sensitive devices.

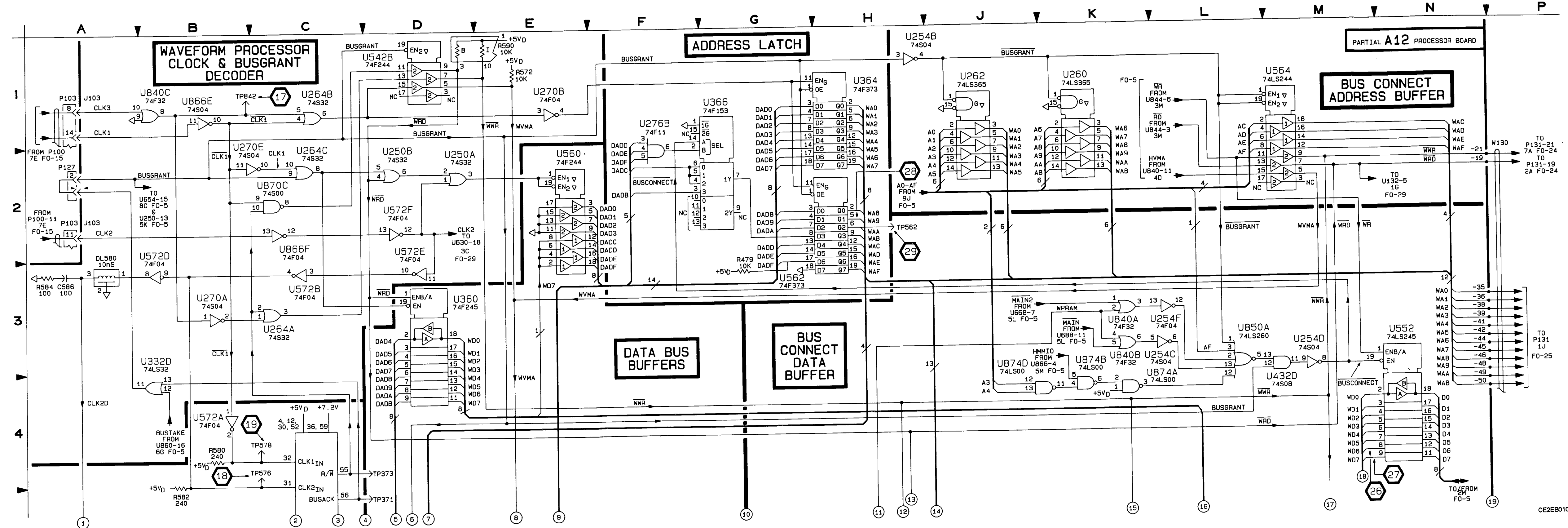


Figure FO-6. Waveform Processor Schematic (Sheet 1 of 2).  
FP-19/(FP-20 blank)



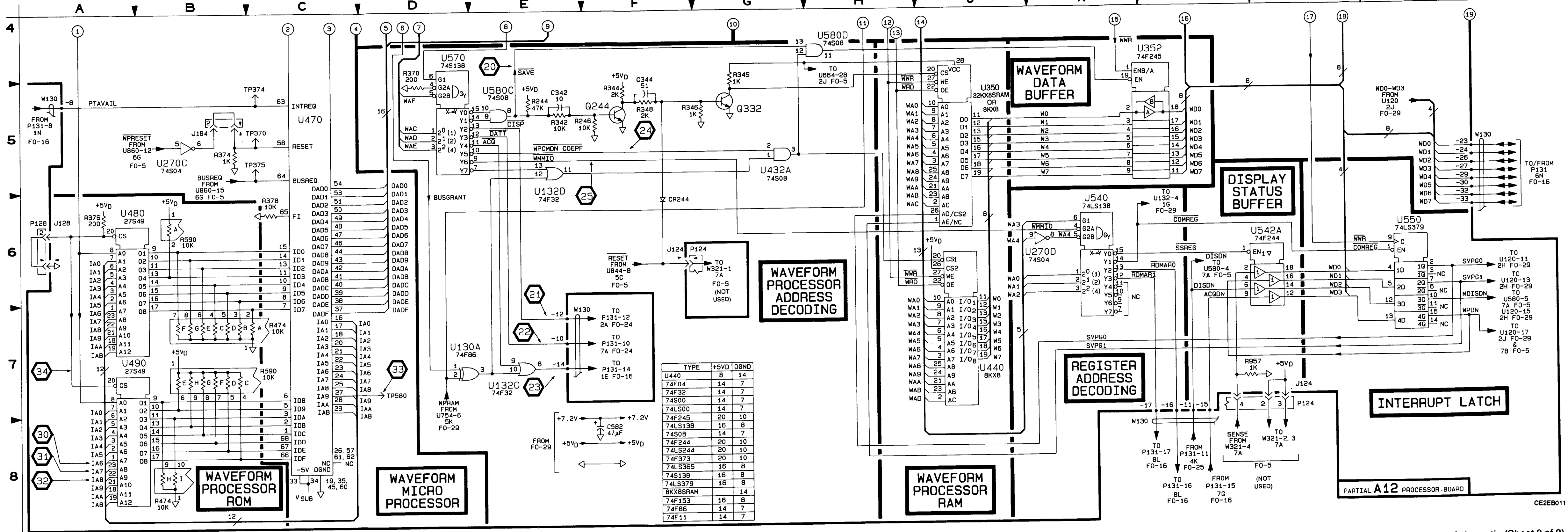
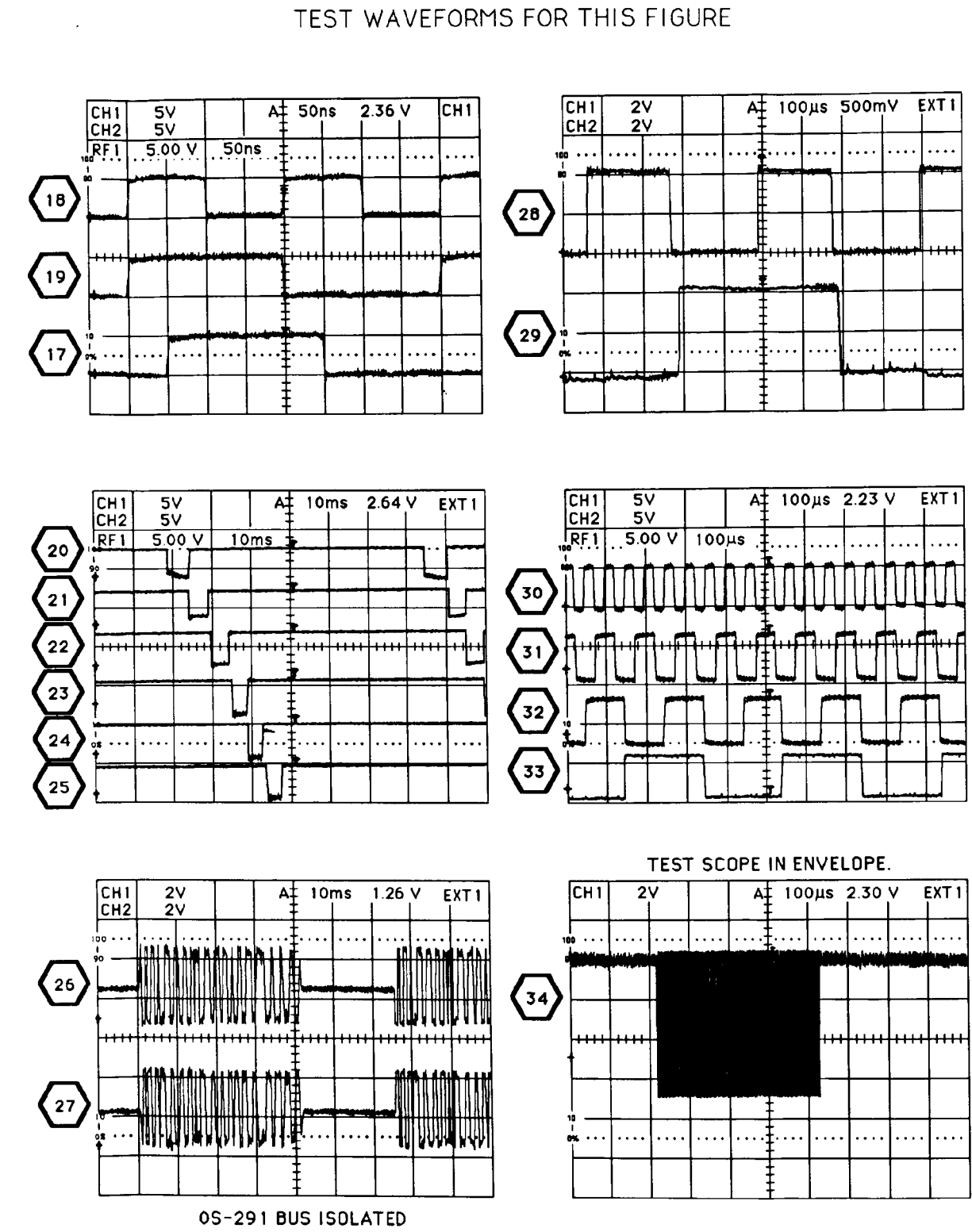


Figure FO-6. Waveform Processor Schematic (Sheet 2 of 2).  
FP-21/(FP-22 blank)

A13 Side Board Component-to-Schematic Cross Reference

CIRCUIT NUMBER	FO NUMBER	CIRCUIT NUMBER	FO NUMBER	CIRCUIT NUMBER	FO NUMBER
C700	21	R761	21	TP702	8
C701	8	R762	21	TP811	8
C702	8	R771	21	TP812	8
C731	21	R772	21	TP813	8
C781	21	R773	21	TP814	8
C800	8	R774	21	TP815	8
C801	8	R775	21	TP821	8
C811	8	R780	21	TP822	8
C812	8	R781	21	TP823	8
C813	8	R782	21	TP824	8
C831	21	R783	21	TP825	8
C832	21	R784	21	TP826	8
C833	21	R800	8	TP826	21
C841	21	R801	8	TP827	8
C842	21	R802	8	TP871	21
C843	21	R803	8	TP881	8
C852	21	R804	8		
C861	21	R805	8	U700	8
C864	21	R806	8	U731	21
C871	21	R807	8	U741	8
C872	21	R808	8	U742	8
C873	21	R809	8	U751	8
C881	21	R810	8	U752	21
C882	21	R811	8	U753	21
C883	21	R812	8	U761	21
C884	21	R813	8	U762	21
C885	21	R814	8	U781	21
		R815	8	U831	21
CR761	21	R832	21	U841	21
CR771	21	R833	21	U842	21
CR772	21	R834	21	U851	21
CR773	21	R835	21	U852	21
		R841	21	U853	21
J150	8	R842	21	U861	8
J155	8	R843	21	U862	8
J156	21	R844	21	U871	21
		R861	21	U872	21
Q761	21	R862	8	U881	21
Q771	21	R863	21		
Q772	21	R871	21	VR841	21
Q773	21	R881	21		
Q781	21	R882	21	W101	8
Q782	21	R883	21	W101	21
Q783	21	R884	21	W110	8
Q831	21	R885	21	W110	21
		R886	21	W122	8
R701	8	R887	21	W122	21
R711	8	R888	21	W701	8
R731	21	R889	21	W800	8
R732	21				
R741	21	TP701	8		

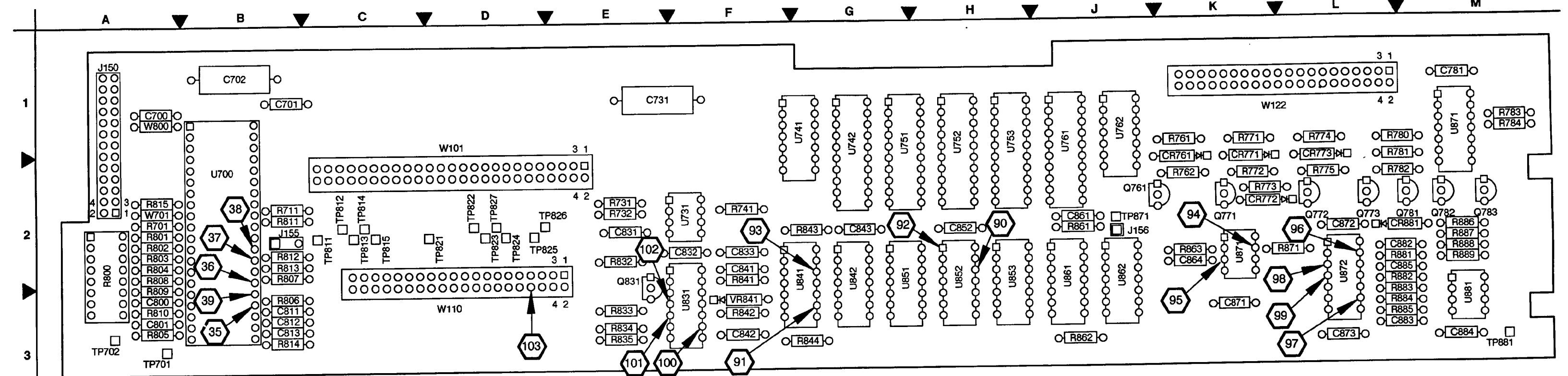
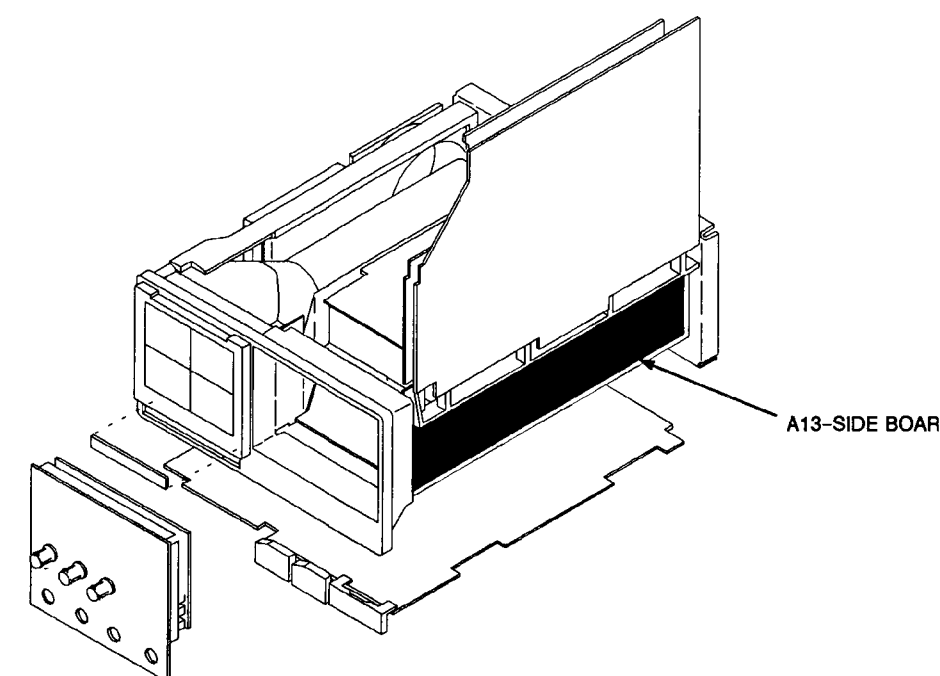


Figure FO-7. A13 Side Board Component Locator.  
FP-23/(FP-24 blank)

Location of the Components Shown in this Figure and in Figure FO-7.

CIRCUIT NUMBER	SCHEM LOCATION	BOARD LOCATION	CIRCUIT NUMBER	SCHEM LOCATION	BOARD LOCATION	CIRCUIT NUMBER	SCHEM LOCATION	BOARD LOCATION
<b>A13 SIDE BOARD<sup>1</sup></b>								
C701	4K	1C	R803	7L	2A	TP825	1B	2E
C702	2B	1B	R804	7L	2A	TP826	2B	2E
C800	6L	3A	R805	7L	3A	TP827	6B	2D
C801	6J	3A	R806	6K	3B	TP881		3M
C811	7J	3B	R807	6L	3B			
C812	7J	3B	R808	7H	2A	U700	5K	2B
C813	6J	3B	R809	7H	3A	U741	1K	1G
			R810	4L	3B	U742	3F	2G
J150	1M	1A	R811	8L	2B	U751	1H	2G
J150	2C	1A	R812	6J	2B	U861A	4G	5J
J150	6A	1A	R813	4L	2B	U861B	5G	5J
J150	6M	1A	R814	8H	3B	U862A	5F	3J
J150	7A	1A	R815	7J	2A	U862B	5E	3J
J155	4L	2B	R862	4G	3J	U862C	5E	3J
						U862D	5F	3J
R701	5L	2A	TP701	2B	3A			
R711	6L	2B	TP702	2B	3A	W101	1A	2D
R800A	6H	3A	TP811	1B	2C	W101	6A	2D
R800B	7M	3A	TP812	1B	2C	W110	1C	3D
R800C	7M	3A	TP813	3B	2C	W110	2C	3D
R800D	7M	3A	TP814	1B	2C	W110	7A	3D
R800E	7M	3A	TP815	3B	2C	W122	4A	1L
R800F	6M	3A	TP821	1B	2D	W122	5H	1L
R800G	9H	3A	TP821	2B	2D	W122	6A	1L
R800H	7H	3A	TP822	2B	2D	W701	6L	2A
R801	4K	2A	TP823	3B	2D	W800	5L	1A
R802	7L	2A	TP824	2B	2D			
<b>CHASSIS PARTS (NOT MOUNTED ON ANY CIRCUIT BOARD)</b>								
P150	1N	CHASSIS	P150	6A	CHASSIS	F150	7A	CHASSIS
P150	2C	CHASSIS	P150	6N	CHASSIS			

<sup>1</sup>A partial schematic of the A13 Side Board is also shown in fig. FO-21. Component locations are shown in fig. FO-7.

**NOTE**

This circuit contains static-sensitive devices. See page C at the front of this manual for information on handling static-sensitive devices.

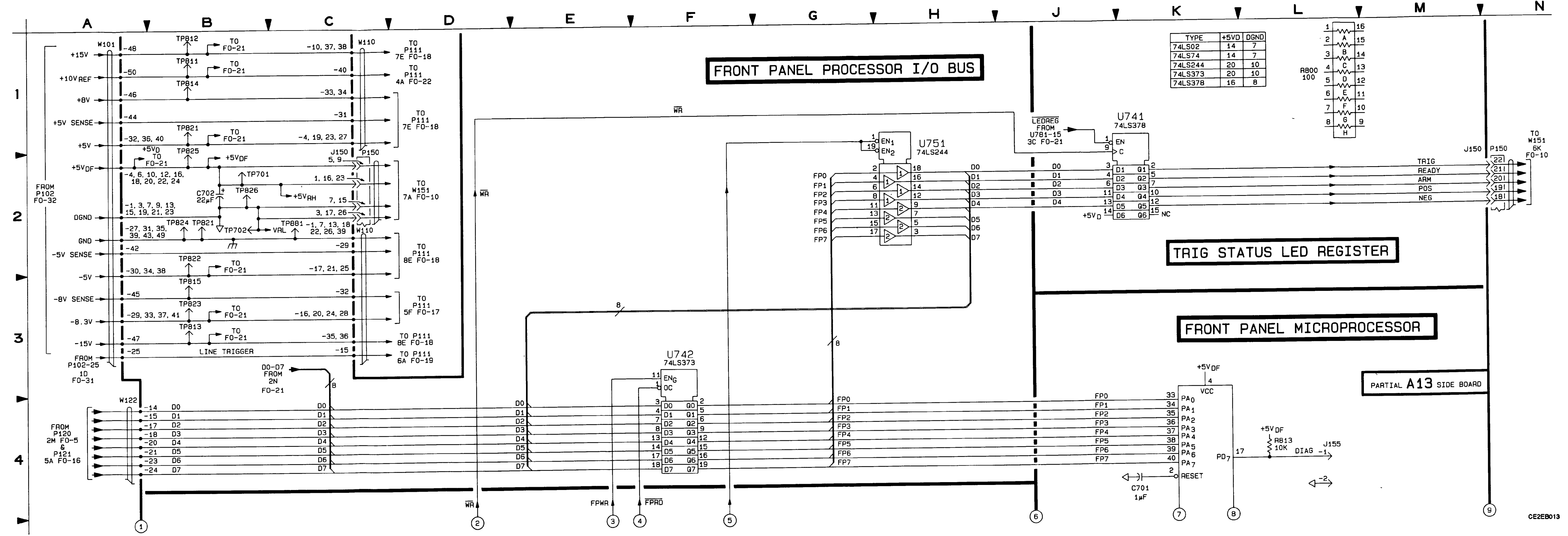


Figure FO-8. Front Panel Processor Schematic (Sheet 1 of 2). FP-25/(FP-26 blank)

TEST WAVEFORMS FOR THIS FIGURE

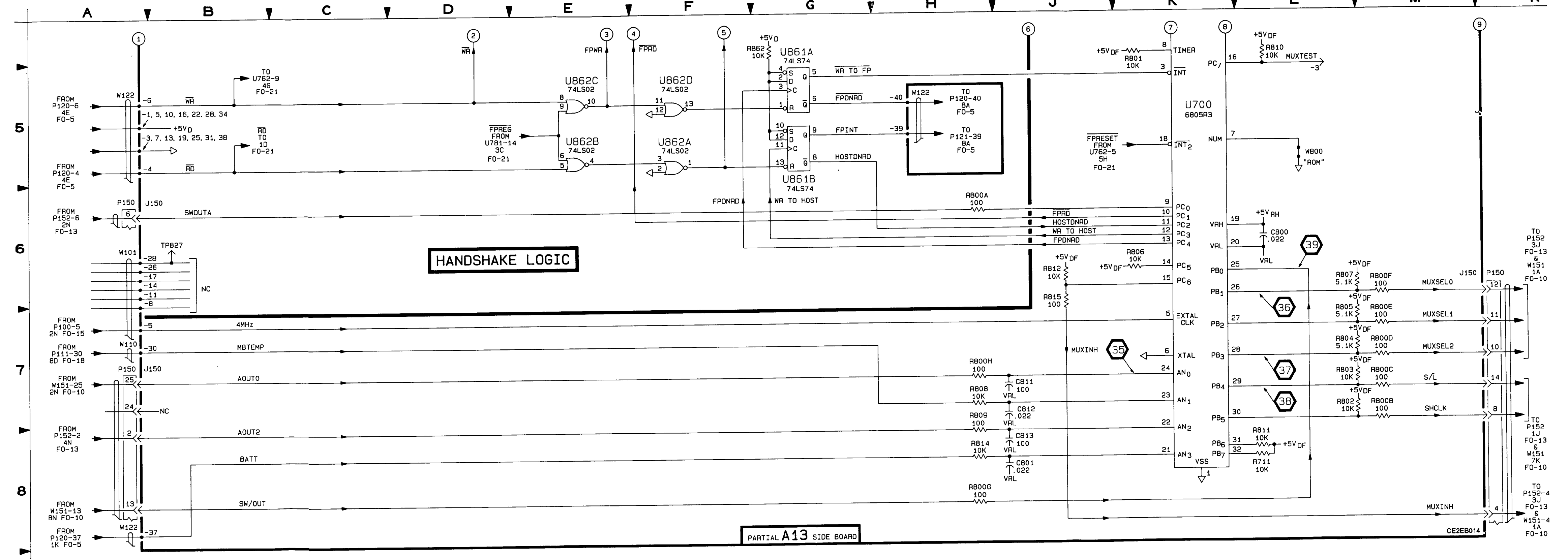
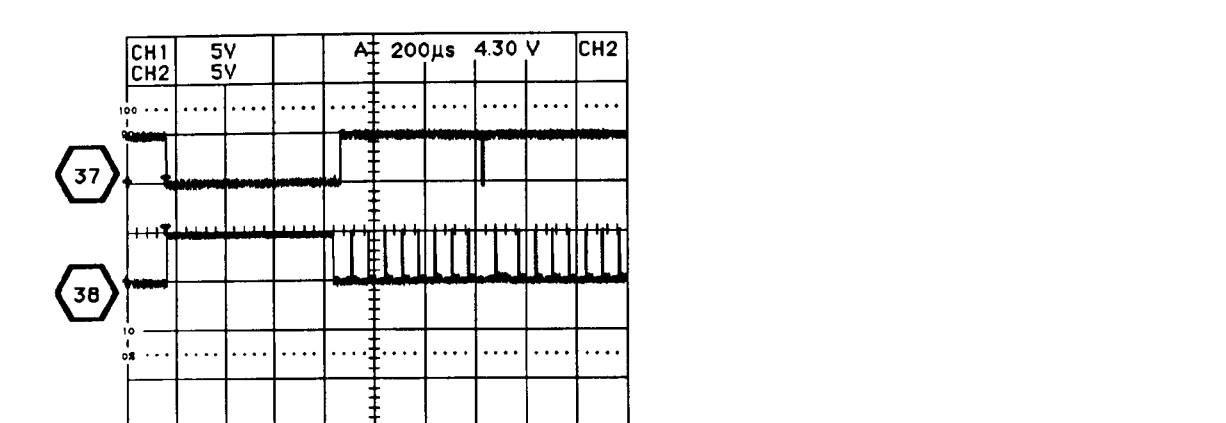
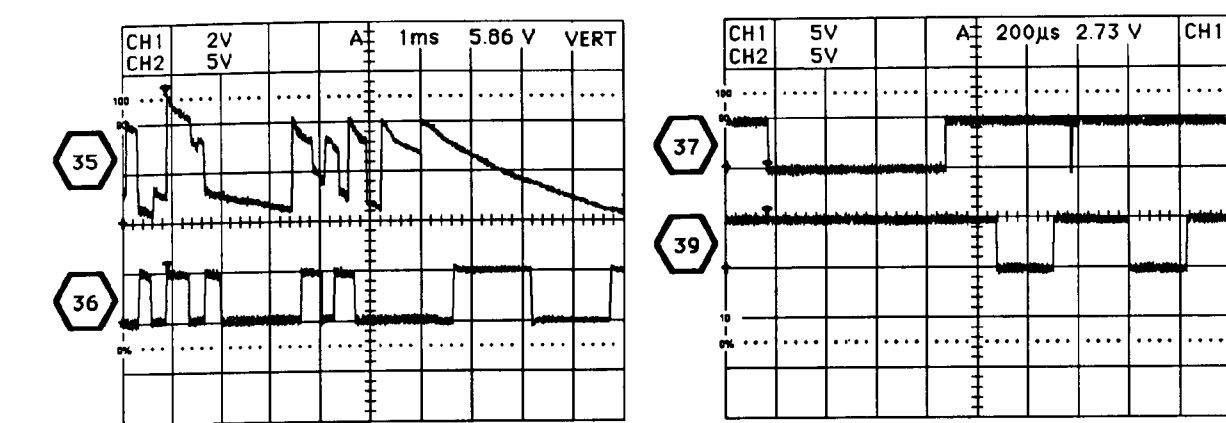
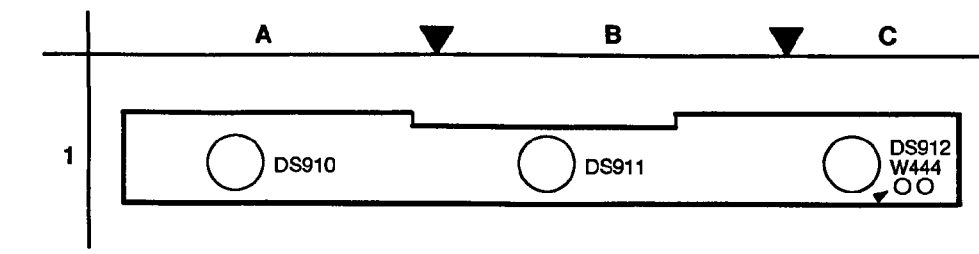


Figure FO-8. Front Panel Processor Schematic (Sheet 2 of 2). FP-27/(FP-28 blank)

**A18 Scale Illumination Board  
Component-to-Schematic Cross Reference**

CIRCUIT NUMBER	FO NUMBER	CIRCUIT NUMBER	FO NUMBER	CIRCUIT NUMBER	FO NUMBER
DS910 W444	13	DS911	13	DS912	13



**A14 Front Panel Board  
Component-to-Schematic Cross Reference**

CIRCUIT NUMBER	FO NUMBER	CIRCUIT NUMBER	FO NUMBER	CIRCUIT NUMBER	FO NUMBER
C902	10	CR953	10	S903	10
C903	10	CR954	10	S904	10
C904	10	CR957	10	S906	10
C905	10	CR958	10	S907	10
C906	10	CR959	10	S908	10
		CR962	10	S909	10
CR901	10	CR963	10	S911	10
CR902	10	CR964	10	S912	10
CR903	10	CR967	10	S913	10
CR904	10	CR968	10	S914	10
CR906	10	CR969	10	S916	10
CR907	10			S917	10
CR908	10	DS901	10	S918	10
CR909	10	DS902	10	S919	10
CR911	10	DS903	10	S921	10
CR912	10	DS904	10	S922	10
CR913	10	DS906	10	S923	10
CR914	10			S924	10
CR916	10	R901	10	S927	10
CR917	10	R902	10	S928	10
CR918	10	R903	10	S929	10
CR919	10	R904	10	S932	10
CR921	10	R913	10	S933	10
CR922	10	R914	10	S934	10
CR923	10	R916	10	S942	10
CR924	10	R917	10	S943	10
CR927	10	R918	10	S944	10
CR928	10	R919	10	S952	10
CR929	10	R922	10	S953	10
CR932	10	R923	10	S954	10
CR933	10	R924	10	S962	10
CR934	10	R927	10	S963	10
CR937	10	R928	10	S964	10
CR938	10	R930	10	S967	10
CR939	10	R933	10	S968	10
CR942	10	R934	10	S969	10
CR943	10	R935	10		
CR944	10	R936	10	U902	10
CR947	10	R937	10	U903	10
CR948	10			U904	10
CR949	10	S901	10		
CR952	10	S902	10	W151	10

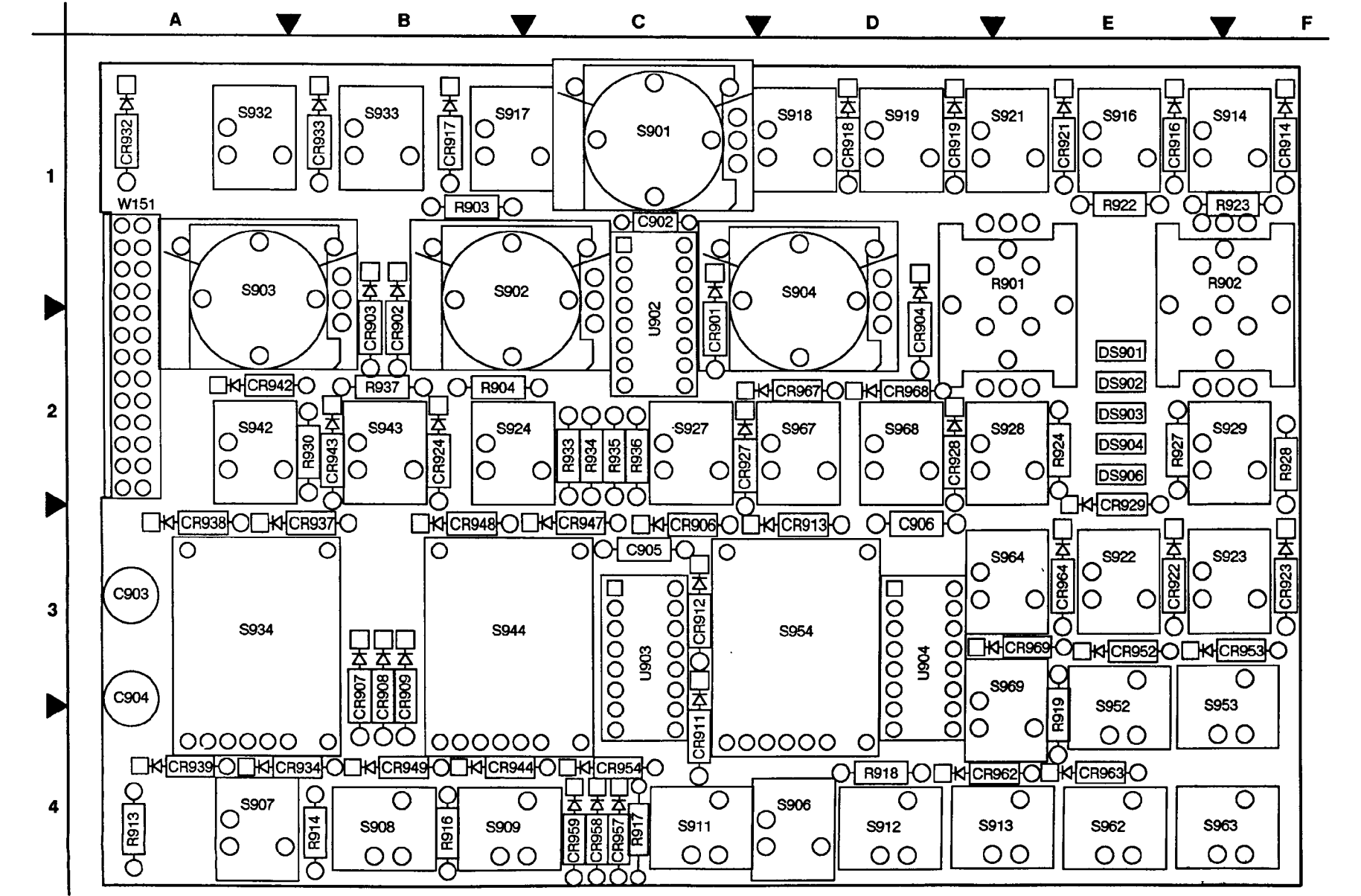
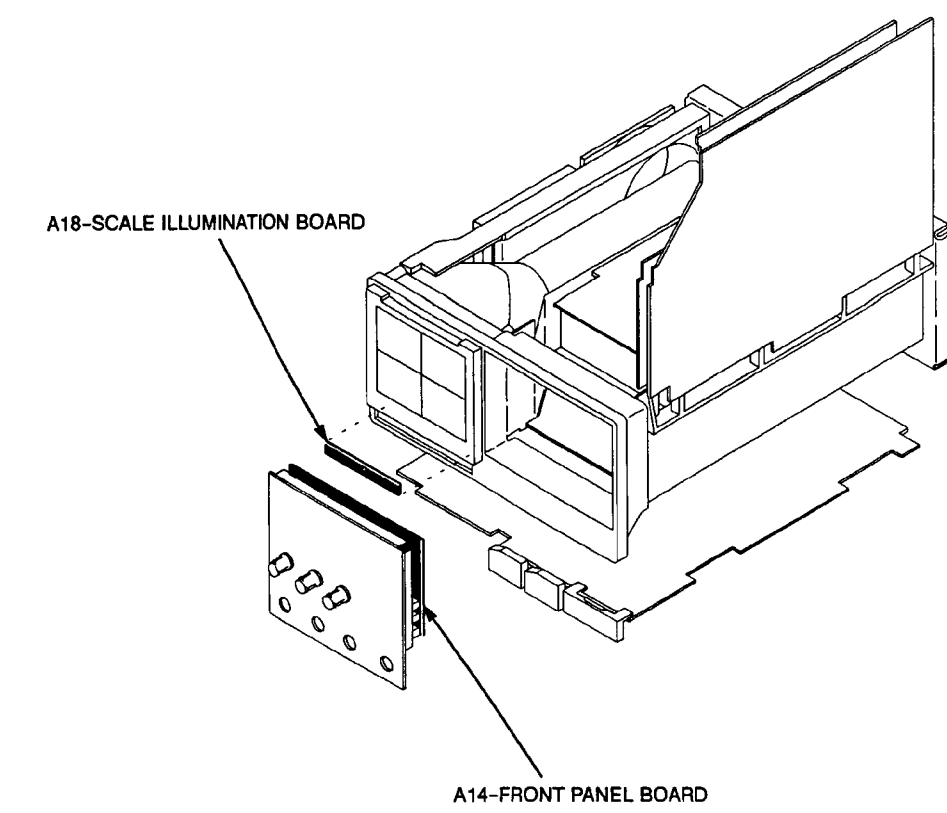


Figure FO-9. A14 Front Panel Board and A18 Scale Illumination Board Component Locator. FP-29/(FP-30 blank)

Location of the Components Shown in this Figure and in Figure FO-9.

CIRCUIT NUMBER	SCHEM LOCATION	BOARD LOCATION	CIRCUIT NUMBER	SCHEM LOCATION	BOARD LOCATION	CIRCUIT NUMBER	SCHEM LOCATION	BOARD LOCATION	CIRCUIT NUMBER	SCHEM LOCATION	BOARD LOCATION
<b>A14 FRONT PANEL BOARD*</b>											
CS02	4L	1C	CR938	2E	3A	R913	5D	4A	S919	6G	1D
CS03	7A	3A	CR939	2E	4A	R914	5E	4B	S921	7H	1E
CS04	7A	3A	CR942	6C	2A	R916	1F	4B	S922	7C	3E
CS05	4L	3C	CR943	6E	2B	R917	1G	4C	S923	7D	3F
CS06	4M	3D	CR944	3E	4B	R918	1H	4D	S924	6E	2B
			CR947	3E	3C	R919	2J	3E	S927	6F	2C
CR901	3J	2C	CR948	4E	3B	R922	5M	1E	S928	7G	2E
CR902	3J	2B	CR949	4E	4B	R923	6M	1F	S929	7H	2F
CR903	2J	2B	CR952	8C	3E	R924	6M	2E	S932	6C	1A
CR904	2J	2D	CR953	8E	3F	R927	6M	2E	S933	6D	1B
CR906	6E	3C	CR954	4E	4C	R928	7M	2F	S934	1D	3A
CR907	7C	3B	CR957	4E	4C	R930	1B	2B	S942	6C	2A
CR908	7E	3B	CR958	4E	4C	R933	2M	2C	S943	6D	2B
CR909	7F	3B	CR959	5E	4C	R934	7L	2C	S944	3D	3B
CR911	7G	4C	CR962	8C	4D	R935	7L	2C	S952	7C	3E
CR912	8H	3C	CR963	8E	4E	R936	7L	2C	S953	8D	3F
CR913	7J	3D	CR964	7F	3E	R937	8M	2B	S954	4D	3D
CR914	7C	1F	CR967	8G	2D	S901	3K	1C	S963	7D	4F
CR916	7E	1E	CR968	6H	2D	S902	2K	2B	S964	7E	3E
CR917	6F	1D	CR969	8J	3E	S903	2K	2A	S967	8F	2D
CR918	6G	1B				S904	1K	2D	S968	9G	2D
CR919	6H	1D	DS901	5L	2E	S906	5D	4D	S969	7H	3E
CR921	7J	1E	DS902	5L	2E	S907	6C	4A			
CR922	7C	3E	DS903	6L	2E	S908	6D	4B	U902	1M	1C
CR923	7E	3F	DS904	6L	2E	S909	6E	4B	U903	5B	3C
CR924	6F	2B	DS906	7L	2E	S911	4C	4C	U904	7M	3D
CR927	6G	2C				S912	8G	4D			
CR928	7H	2D	R901A	3L	1E	S913	7H	4E	W151	1A	2A
CR929	7J	2D	R901B	3L	1E	S914	7C	1F	W151	2N	2A
CR932	6C	1A	R902A	2L	1F	S916	7D	1E	W151	5L	2A
CR933	6E	1B	R902B	2L	1F	S917	1B	1B	W151	8N	2A
CR934	1E	4A	R903	2L	1B	S918	1B	1B			
CR937	1E	3B	R904	3L	2B	S918	6F	1D			

\*Component locations for the A14 Front Panel Board are shown in fig. FO-9.

**NOTE**  
This circuit contains static-sensitive devices. See page C at the front of this manual for information on handling static-sensitive devices.

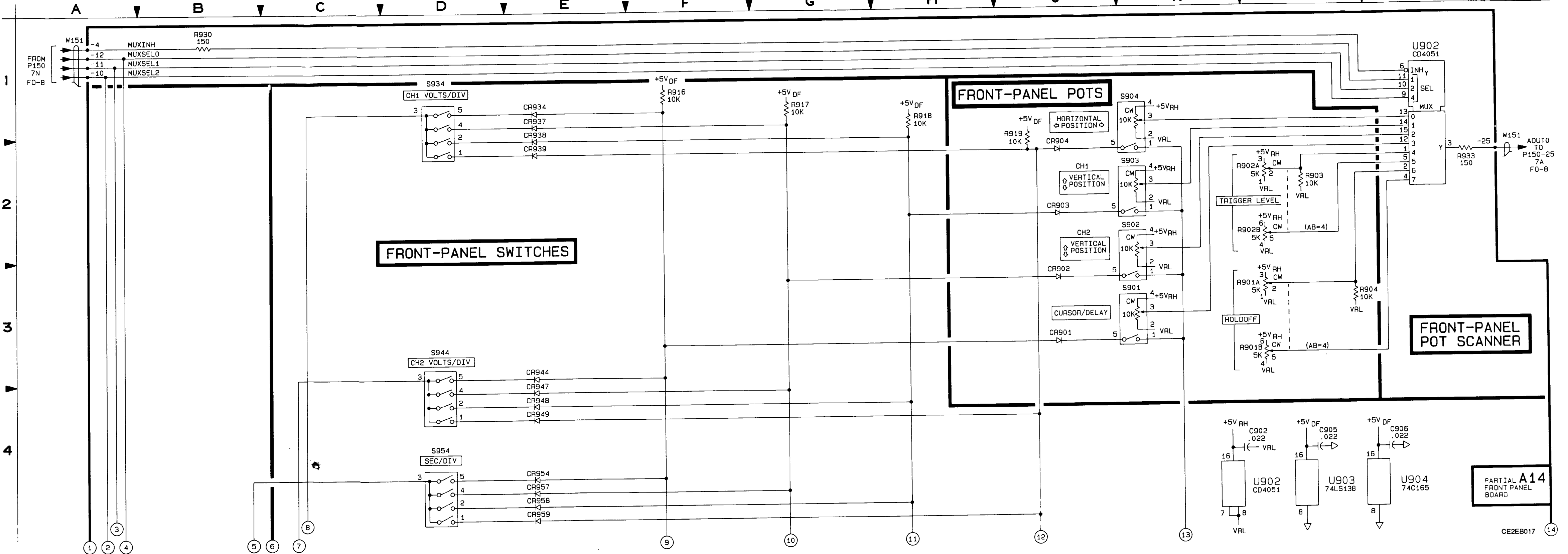


Figure FO-10. Front Panel Schematic (Sheet 1 of 2).  
FP-31/(FP-32 blank)

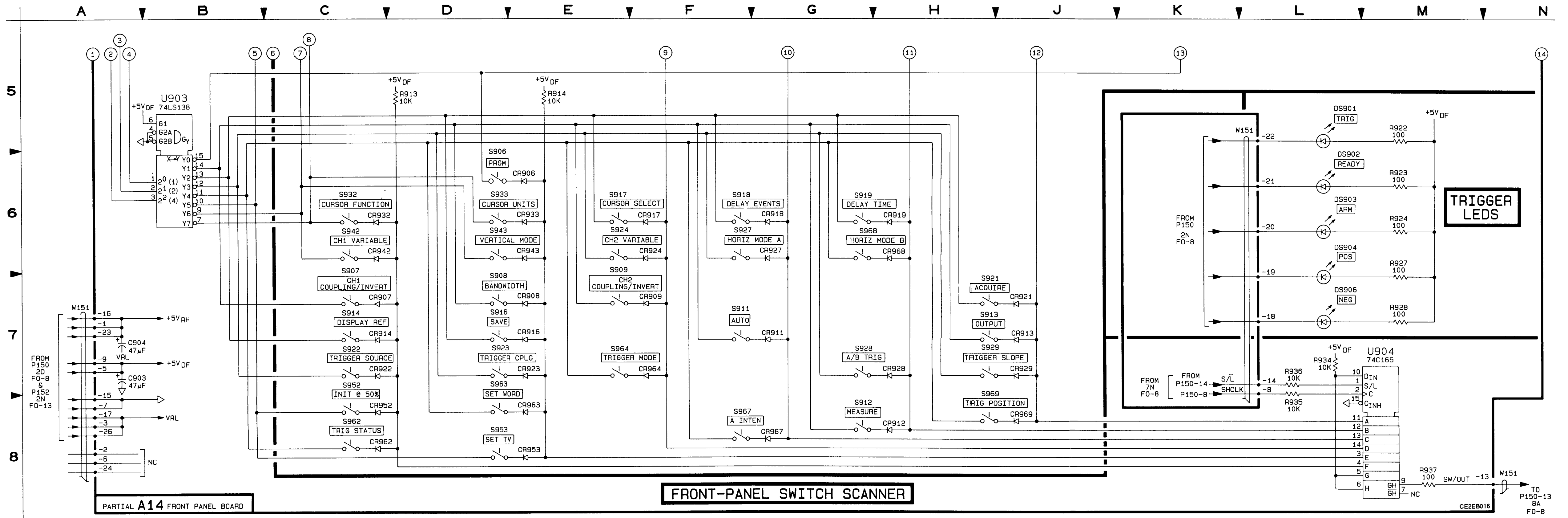


Figure FO-10. Front Panel Schematic (Sheet 2 of 2). FP-33/(FP-34 blank)



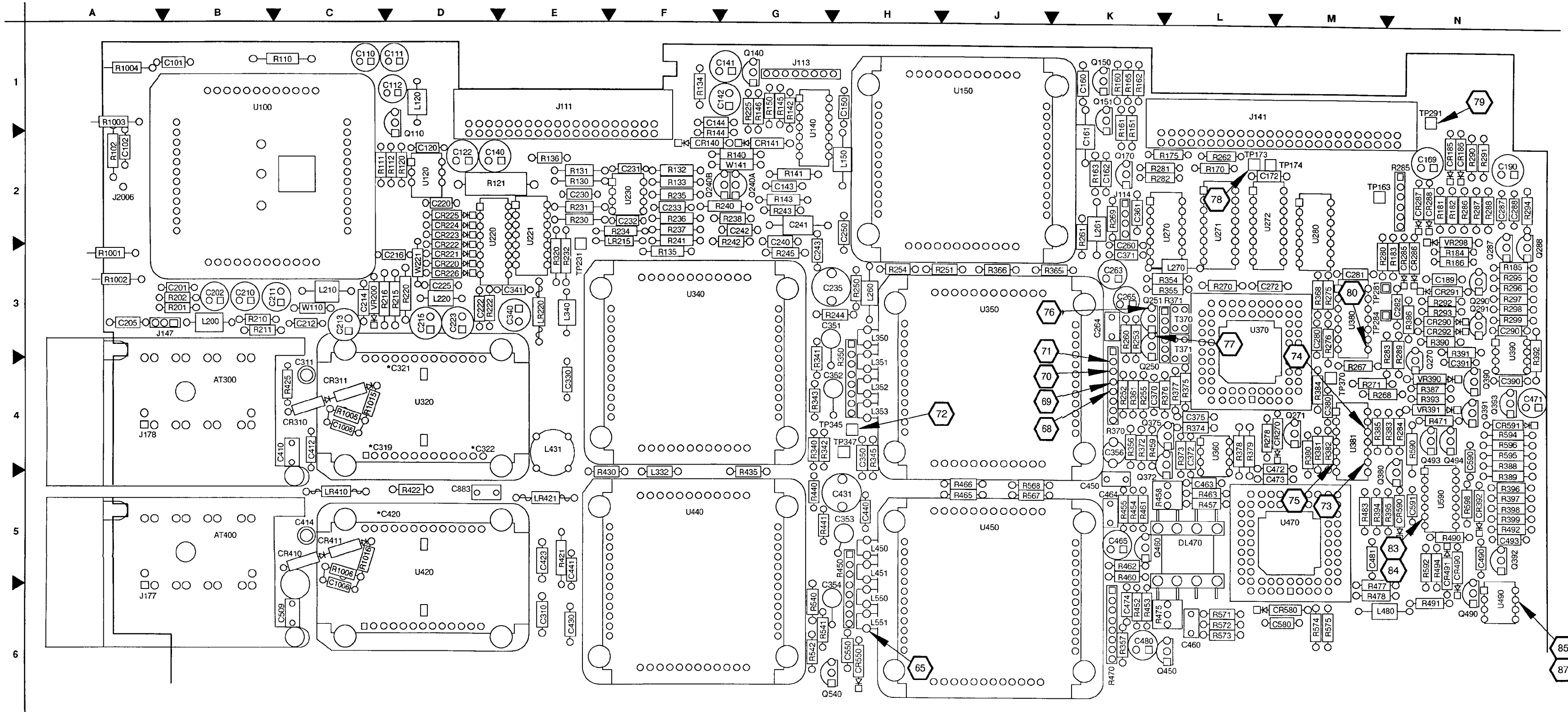
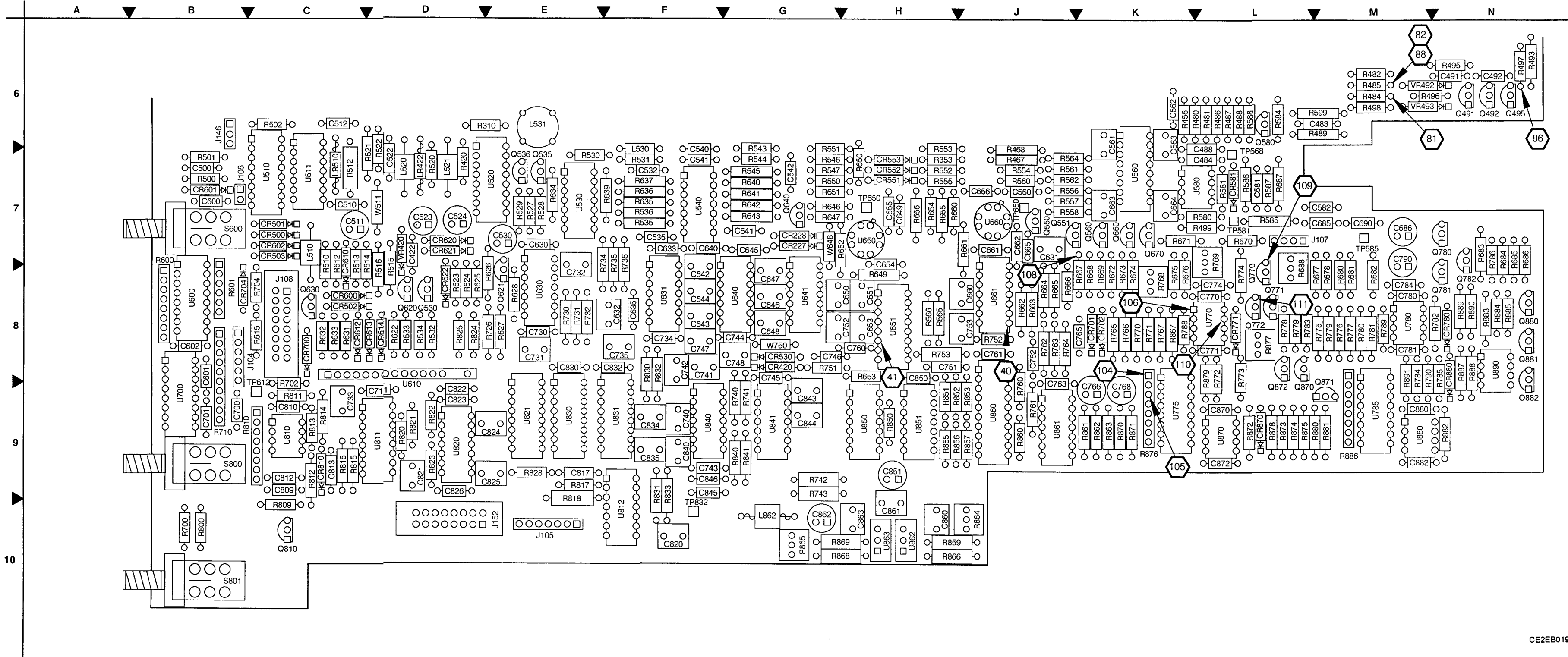


Figure FO-11. A10 Main Board Component Locator (Sheet 1 of 3).  
FP-35/(FP-36 blank)





**NOTE**  
An asterisk (\*) next to a component in this figure indicates the component is located on the back of the board.

Figure FO-11. A10 Main Board Component Locator (Sheet 2 of 3).

CE2EB019

FP-37/(FP-38 blank)



**Location of the Components Shown in this Figure and in Figure FO-11.**

CIRCUIT NUMBER	SCHEM LOCATION	BOARD LOCATION	CIRCUIT NUMBER	SCHEM LOCATION	BOARD LOCATION	CIRCUIT NUMBER	SCHEM LOCATION	BOARD LOCATION	CIRCUIT NUMBER	SCHEM LOCATION	BOARD LOCATION
<b>A10 MAIN BOARD<sup>1</sup></b>											
C172	7D	2M	CR702	6J	8K	R655	5J	7H	U270	1G	2L
C647	6L	8G	J141	1A	1L	R656	5J	7H	U271	1D	2L
C648	5M	8G	J141	3M	1M	R660	5J	7H	U272	3D	2L
C650	7L	8H				R661	4M	7J	U280A	2C	2M
C651	7L	8H	Q535	2J	7E	R662	8M	7J	U280B	5E	2M
C653	6L	8H	Q536	2J	7E	R663	6J	8K	U280C	2C	2M
C653	6M	8H				R664	6H	8K	U280D	4C	2M
C654	7D	8H	R142	2K	1G	R665	7J	8J	U360A	3M	3M
C655	7J	7H	R181	3L	2N	R666	7J	8J	U360B	3M	3M
C656	5J	7J	R182	3M	2N	R751	6M	8G	U641A	5M	6G
C660	4M	6J	R269	1G	2K	R752	8M	8J	U641B	5M	6G
C661	8D	7J	R280	4G	3N	R753	4M	8H	U641C	6M	6G
C662	5J	7J	R285	3F	2N	R760	5G	8J	U641D	7M	8G
C751	6F	8H	R290	4G	2N	R761	6F	8J	U650	7J	7H
C752	6L	8H	R291	3G	2N	R850	5E	8H	U651	4K	6H
C753	8L	8J	R294	4G	2N	R851	8H	9H	U660	5J	7J
C760	7D	8H	R422	2J	5D	R852	8H	9J	U661A	4M	8J
CR185	3L	2N	R522	3J	7D	R853	8H	9J	U661B	8M	8J
CR186	3L	2N	R528	2J	7E	R856	8G	9H	U661C	6J	8J
CR227	7M	7G	R529	3J	7E	R857	8G	9J	U660	5G	7G
CR228	7M	7G	R531	2F	7F	R860	5F	8J			
CR287	3L	2N	R555	7K	7H	TP650	7K	7H	W648	7M	7G
CR288	3L	2N	R649	7M	8H	TP660	5J	7K	W750	6M	8G
CR420	6M	8G	R652	7M	7H						
CR530	6M	8G	R653	6M	8H						
CR701	6J	8K	R654	7K	7H						
<b>CHASSIS PARTS (NOT MOUNTED ON ANY CIRCUIT BOARD)</b>											
P141	1A	CHASSIS	P141	3M	CHASSIS						

<sup>1</sup>A partial schematic of the A10 Main Board is also shown in fig. FO-13, FO-17, FO-18, FO-19, FO-20, FO-21, FO-22, and FO-28. Component locations are shown in fig. FO-11.

**NOTE**  
This circuit contains static-sensitive devices. See page C at the front of this manual for information on handling static-sensitive devices.

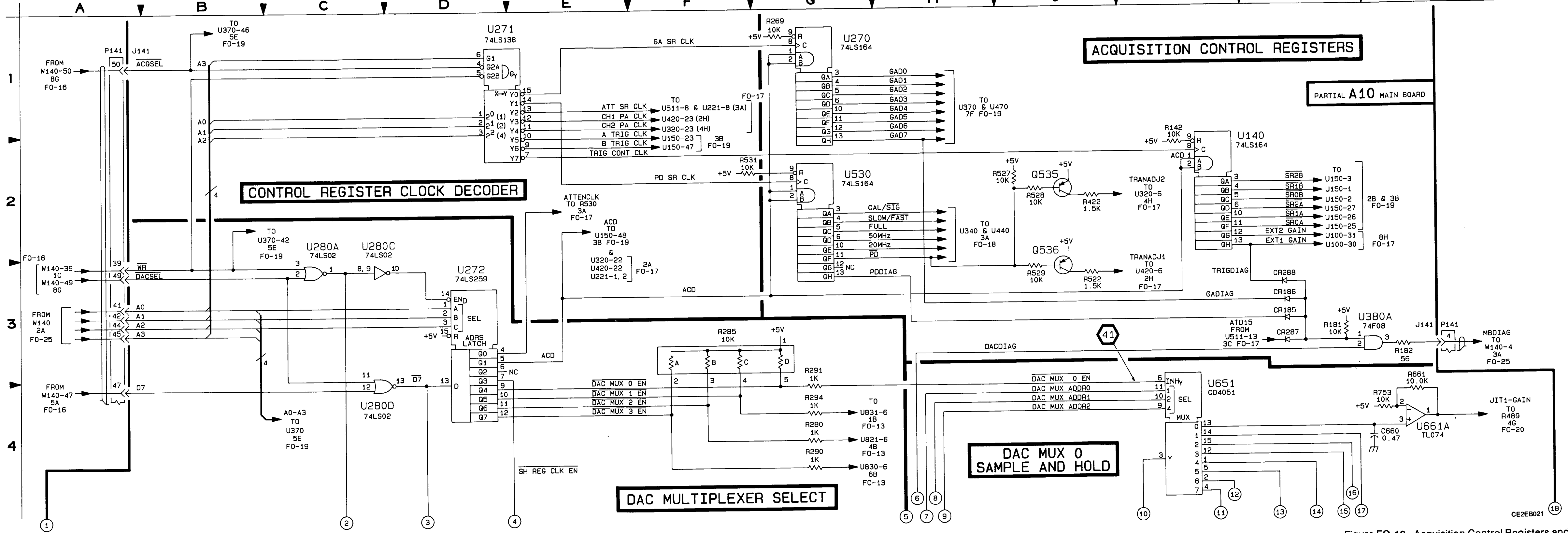
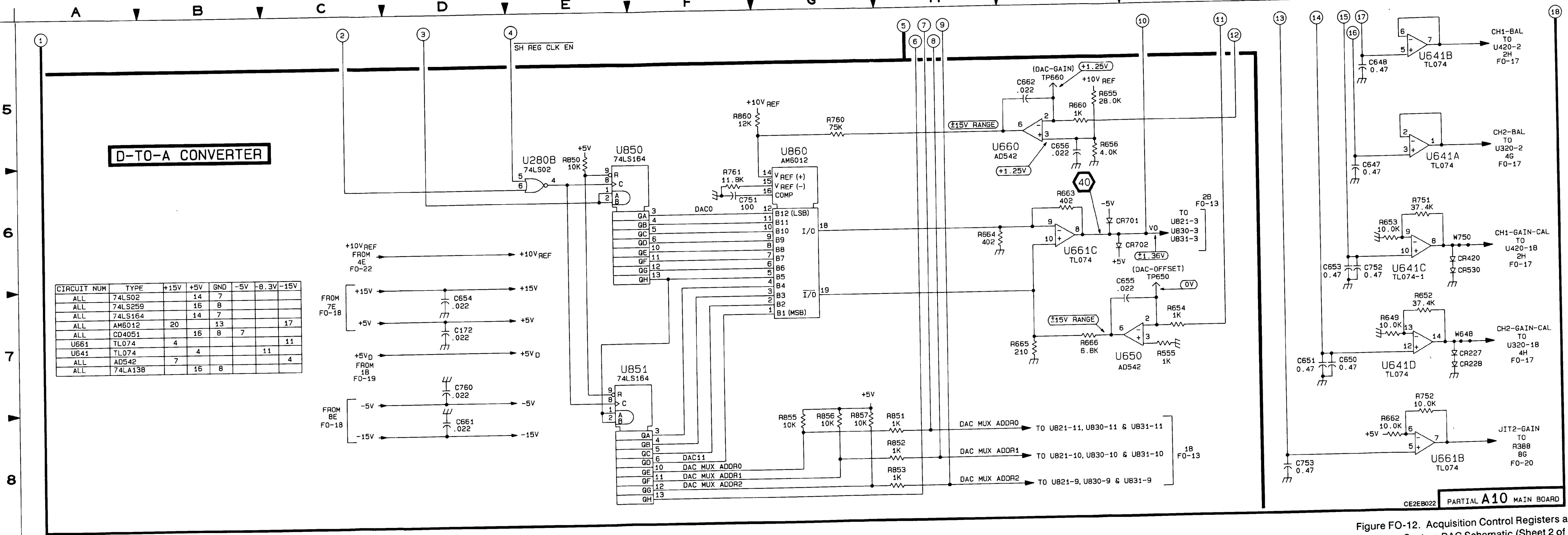
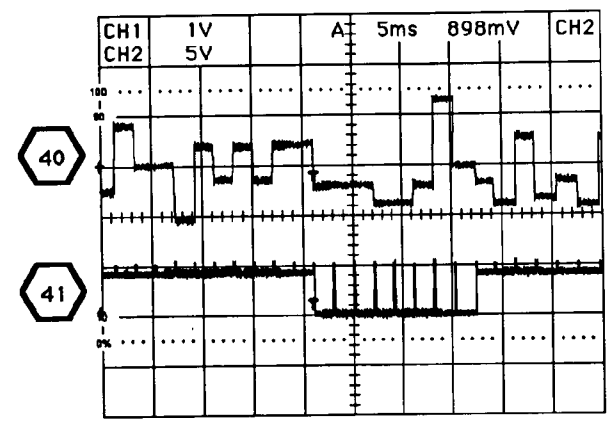


Figure FO-12. Acquisition Control Registers and System DAC Schematic (Sheet 1 of 2). FP-41/(FP-42 blank)

TEST WAVEFORMS FOR THIS FIGURE



CE2EB022 PARTIAL A10 MAIN BOARD

Figure FO-12. Acquisition Control Registers and System DAC Schematic (Sheet 2 of 2). FP-43/(FP-44 blank)

Location of the Components Shown in this Figure and in Figure FO-9 and FO-11.

CIRCUIT NUMBER	SCHEM LOCATION	BOARD LOCATION	CIRCUIT NUMBER	SCHEM LOCATION	BOARD LOCATION	CIRCUIT NUMBER	SCHEM LOCATION	BOARD LOCATION	CIRCUIT NUMBER	SCHEM LOCATION	BOARD LOCATION
<b>A18 SCALE ILLUMINATION BOARD<sup>1</sup></b>											
DS910	3H	1A	DS911	3H	1B	DS912	3H	1C	W444	3H	1C
<b>A10 MAIN BOARD<sup>2</sup></b>											
C601	4L	8B	C824	6D	9E	R634	5F	7E	S801	2K	10B
C602	4L	8B	C825	6D	9E	R639	8H	7F	U520G	4E	7E
C630	5B	7E	C826	4B	10D	R700	4M	10B	U600	3L	8B
C631	7G	7J	C830	4B	8E	R702	1K	9C	U610	7L	8C
C632	7D	8F	C832	4B	8F	R704	1K	8C	U630A	4F	8E
C633	4B	7F	C834	1F	9F	R710	1L	9B	U630B	4E	8E
C635	8H	2P	C835	2P	9F	R726	4F	8E	U630C	5E	8E
C642	7G	7F	C840	2D	9F	R730	5F	8E	U630D	5F	8E
C643	8G	8G	C843	3F	9G	R731	5E	8E	U631A	7D	8F
C644	4H	8F	C844	2F	9H	R732	5F	8E	U631B	7D	8F
C645	4H	7G	C845	2E	9F	R734	8H	8F	U631C	8H	8F
C646	5H	8G	C846	3E	9F	R735	7H	8F	U631D	7H	8F
C649	5A	7H	C850	4B	9H	R736	7H	8F	U640A	4H	8G
C665	7H	7J				R740	3E	9G	U640B	7F	8G
C690	4B	7N	CR612	6M	8C	R741	3D	9G	U640C	7F	8G
C700	1K	9B	CR613	6M	8D	R800	3L	10B	U640D	7F	8G
C701	2M	9B	CR614	6M	8D	R809	6H	10C	U641A	1F	9G
C711	7L	9D	CR700	1K	8C	R810	3L	9C	U641B	2F	9G
C730	4B	8E	CR704	1K	8B	R811	6F	9C	U641C	2F	9G
C731	4D	8E	CR810	6H	9C	R812	6G	9C	U641D	3F	9G
C732	5D	8E				R813	6F	9C	U641E	3F	9G
C733	7F	9C	J104	1J	8B	R814	6F	9C	U641F	3F	9G
C734	5A	8F	J105	5M	10E	R815	6F	9C	U641G	3F	9G
C735	7D	8F	J106	3G	7B	R816	6F	9D	U641H	3F	9G
C740	1D	9F	J108	3J	8C	R817	6K	9E	U641I	3F	9G
C741	3D	8F	J111	8M	1E	R820	5E	9D	U641J	3F	9G
C742	2D	8F	J141	5A	1M	R821	5E	9D	U641K	3F	9G
C743	4A	9F	J141	6G	1M	R822	3E	9D	U641L	3F	9G
C744	5B	8G	J152	1J	10E	R823	4D	9D	U641M	3F	9G
C745	5B	8G	J152	2J	10E	R824	4E	9D	U641N	3F	9G
C746	4B	8G	J152	2M	10E	R825	4E	9D	U641O	3F	9G
C747	7F	8F	Q810	6J	10C	R828	4D	9E	U641P	3F	9G
C748	7F	8G				R830	1D	9F	U641Q	3F	9G
C761	4A	8J	R555	7H	8J	R831	2D	10F	U641R	3F	9G
C809	3M	9C	R556	7H	8J	R832	1E	9F	U641S	3F	9G
C810	5A	9C	R600	3L	8B	R833	2E	10F	U641T	3F	9G
C812	4B	9C	R601	4K	8B	R840	2E	9G	U641U	3F	9G
C813	6F	9C	R602	4K	8B	R841	2D	9G	U641V	3F	9G
C817	6J	9E	R629	4K	8E				U641W	3F	9G
C821	6D	9D	R627	4F	8E	S600	2K	7B	U641X	3F	9G
C822	4E	9D	R628	4E	8E				U641Y	3F	9G
C823	5B	9D							U641Z	3F	9G
<b>CHASSIS PARTS (NOT MOUNTED ON ANY CIRCUIT BOARD)</b>											
P104	1J	CHASSIS	P111	8M	CHASSIS	P152	2J	CHASSIS			
P105	5M	CHASSIS	P141	5A	CHASSIS	P152	2M	CHASSIS			
P106	3G	CHASSIS	P141	6G	CHASSIS	R1121A	4J	CHASSIS			
P108	3J	CHASSIS	P152	1J	CHASSIS	R1121B	3J	CHASSIS			

<sup>1</sup>Component locations are shown in fig. FO-9.  
<sup>2</sup>A partial schematic of the A10 Main Board is also shown in fig. FO-12, FO-17, FO-18, FO-19, FO-20, FO-21, FO-22, and FO-28. Component locations are shown in fig. FO-11.

**NOTE**

This circuit contains static-sensitive devices. See page C at the front of this manual for information on handling static-sensitive devices.

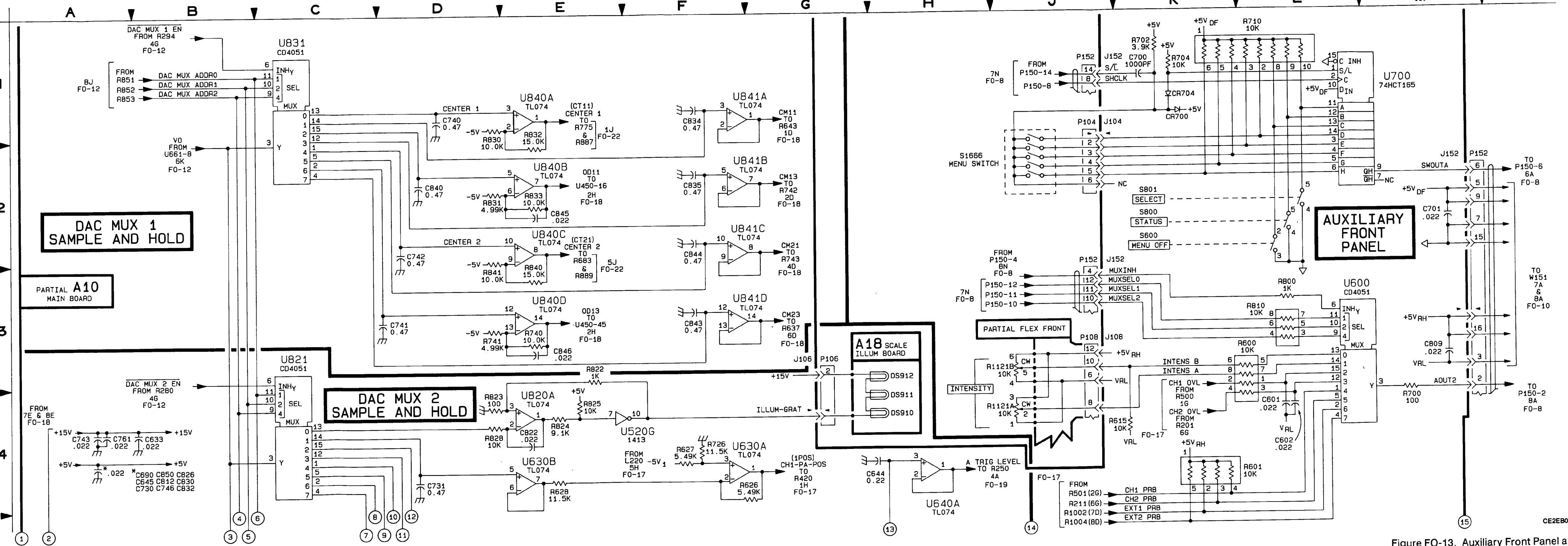
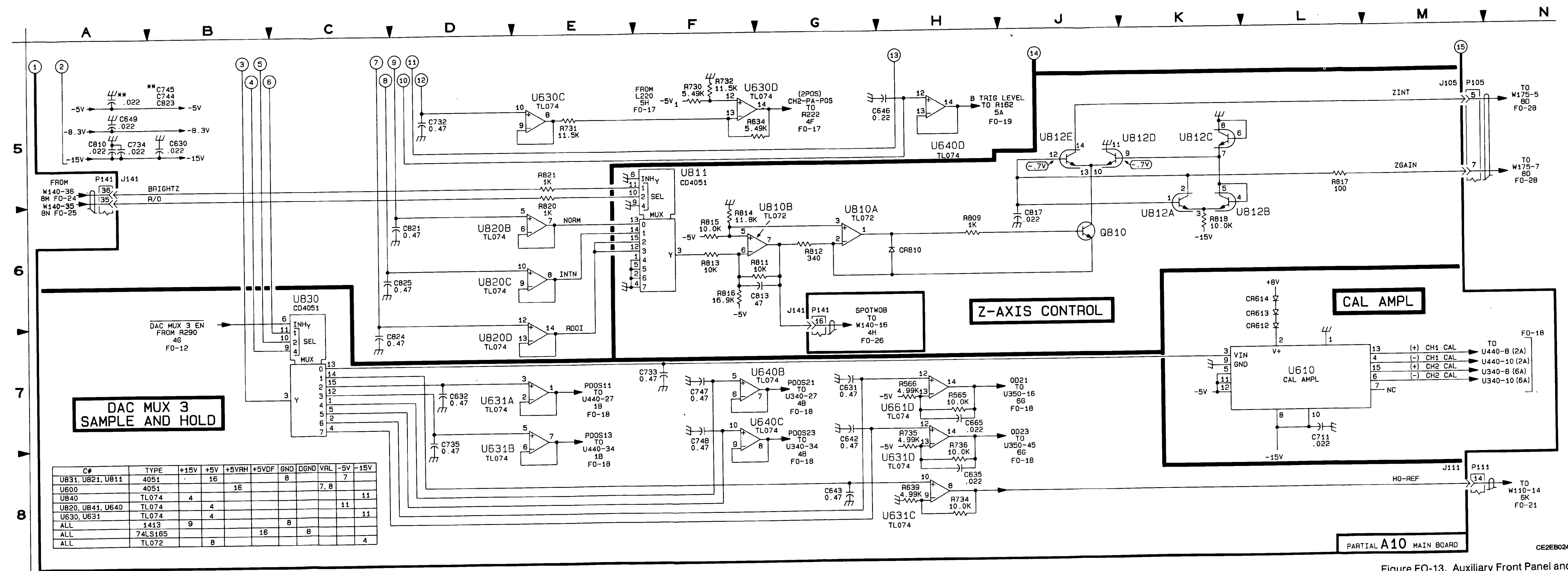


Figure FO-13. Auxiliary Front Panel and System DAC Schematic (Sheet 1 of 2). FP-45/(FP-46 blank)



C#	TYPE	+15V	+5V	+5V <sub>RH</sub>	+5V <sub>DF</sub>	GND	DGND	VRL	-5V	-15V
U831, U821, U811	4051		16			8			7, 8	
U600	4051			16						11
U840	TL074	4								11
U820, U841, U640	TL074	4	4							11
U630, U631	TL074		4				8			11
ALL	1413	9								
ALL	74LS165				16		8			
ALL	TL072		8							4

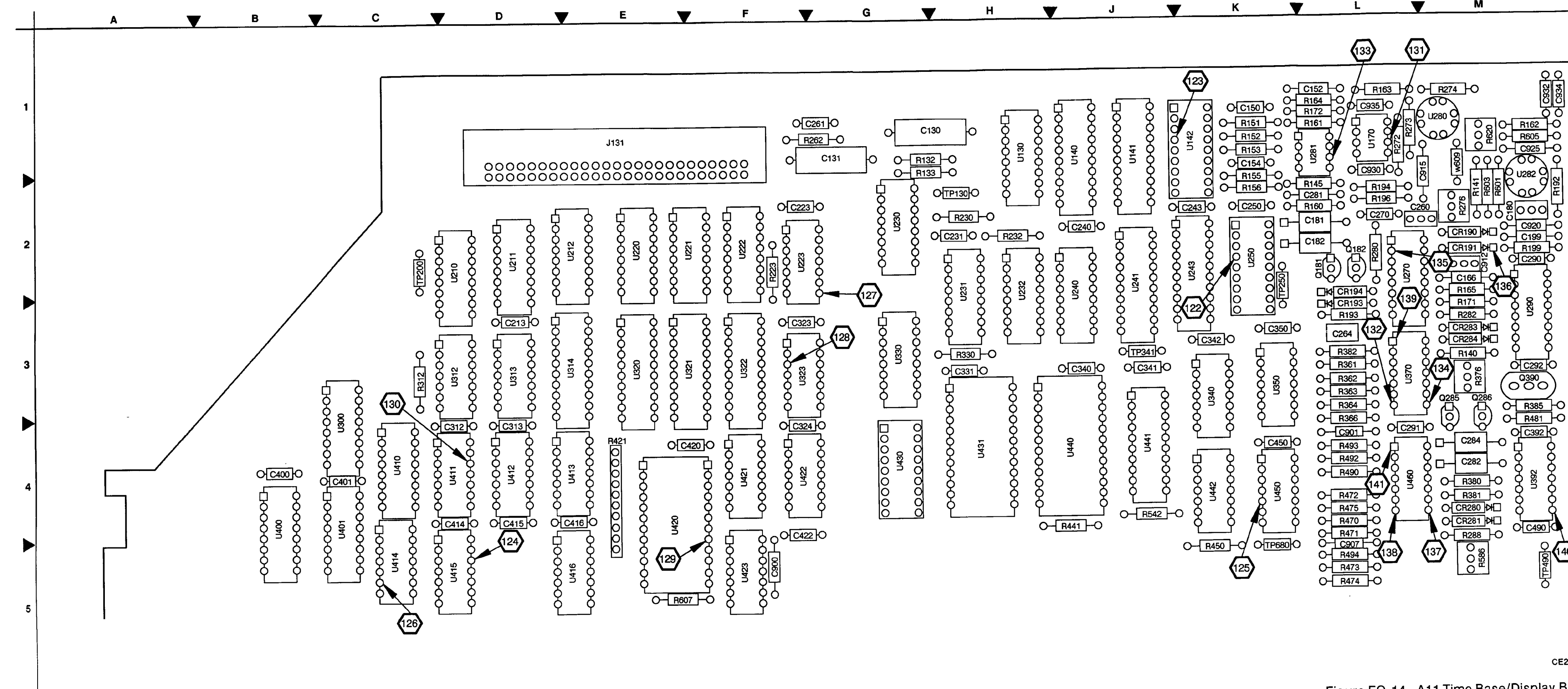
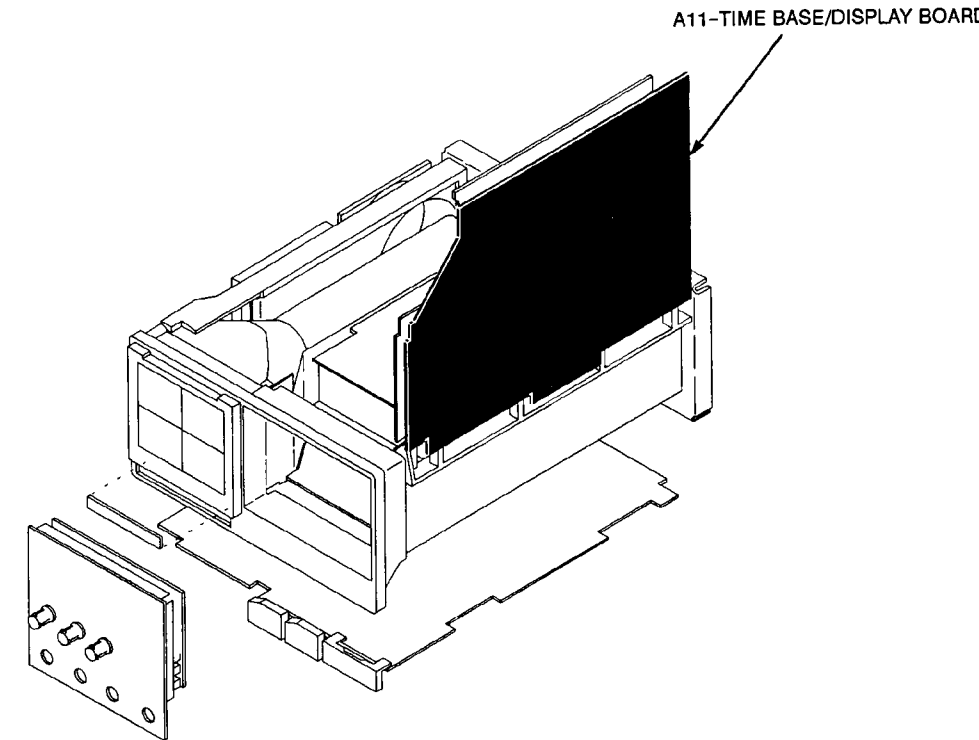
PARTIAL A10 MAIN BOARD

Figure FO-13. Auxiliary Front Panel and System DAC Schematic (Sheet 2 of 2).  
FP-47/(FP-48 blank)

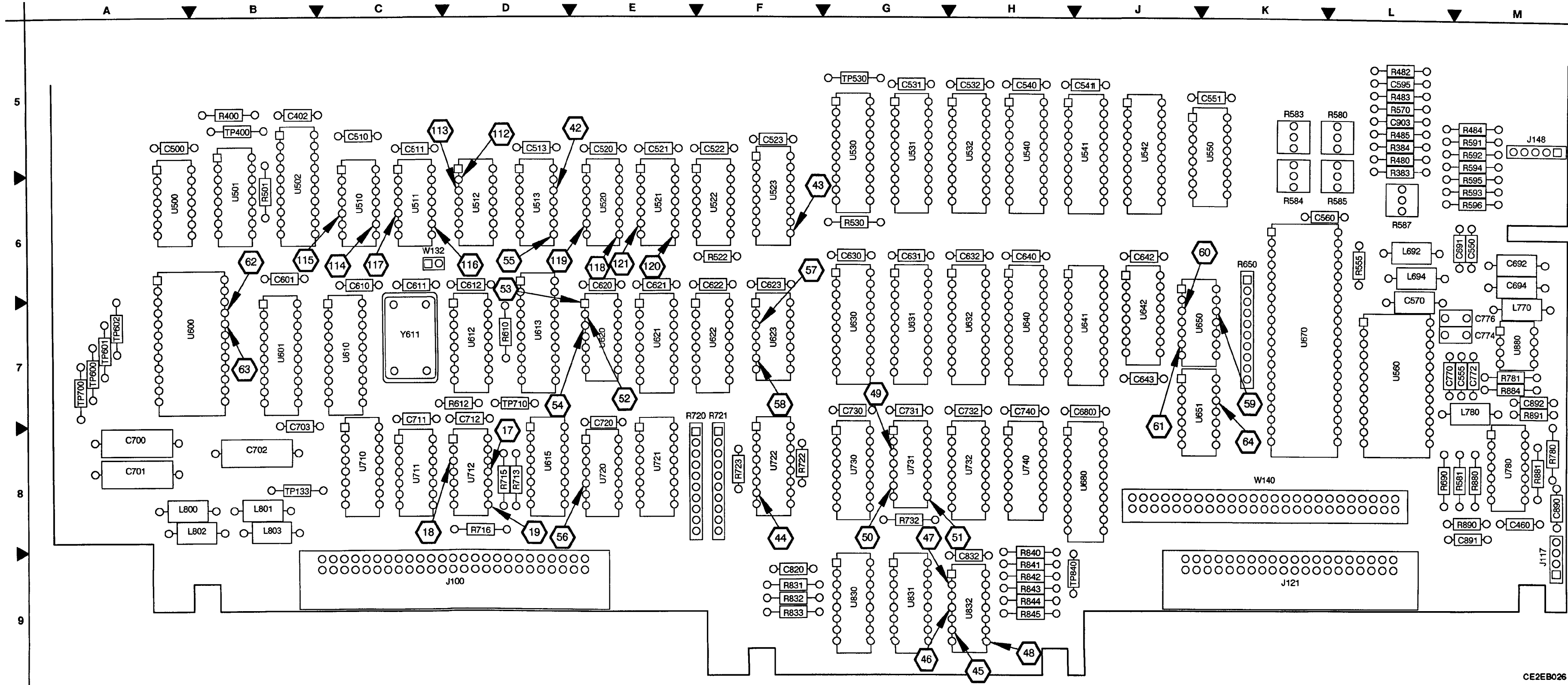


A11 Time Base/Display Board Component-to-Schematic Cross Reference

CIRCUIT NUMBER	FO NUMBER	CIRCUIT NUMBER	FO NUMBER	CIRCUIT NUMBER	FO NUMBER	CIRCUIT NUMBER	FO NUMBER	CIRCUIT NUMBER	FO NUMBER	CIRCUIT NUMBER	FO NUMBER
C130	26	C622	23	L780	23	F480	26	TP530	23	U501	16
C131	26	C623	23	L800	26	F481	26	TP600	26	U502	16
C150	24	C630	23	L801	26	F482	26	TP601	23	U510	23
C152	26	C631	23	L802	26	F483	26	TP602	26	U511	23
C154	26	C632	23	L803	26	F484	26	TP602	26	U512	16
C166	26	C640	23			F485	26	TP680	26	U513	23
C180	26	C642	23	Q181	26	F490	26	TP700	26	U520	23
C181	26	C643	23	Q182	26	F492	26	TP710	26	U521	23
C182	26	C680	23	Q285	26	F493	26	TP840	26	U522	15
C199	26	C691	23	Q286	26	F494	26			U522	15
C213	23	C692	23	R501	16	F501	16	U130	24	U522	16
C223	23	C694	23	R132	25	R522	16	U140	24	U523	15
C231	23	C700	26	R133	25	R530	15	U141	24	U530	25
C240	23	C701	26	R140	26	R542	26	U142	24	U531	25
C243	23	C702	26	R141	26	R555	23	U170	26	U532	25
C250	24	C703	23	R145	26	R570	26	U210	25	U540	25
C260	26	C711	23	R151	24	R580	26	U211	25	U541	25
C261	23	C712	23	R152	24	R581	23	U212	25	U542	25
C264	26	C720	23	R153	26	R583	26	U220	25	U550	25
C270	23	C730	23	R155	24	R584	26	U221	25	U560	23
C281	26	C731	23	R156	24	R585	26	U222	25	U600	16
C282	26	C732	23	R160	26	R586	26	U223	25	U601	16
C284	26	C740	23	R161	26	R587	26	U230	25	U610	16
C290	23	C770	23	R162	26	R591	26	U231	25	U612	15
C291	23	C772	23	R163	26	R592	26	U232	25	U613	16
C292	23	C774	23	R164	26	R593	26	U233	24	U615	15
C312	23	C775	23	R165	26	R594	26	U241	24	U620	15
C313	23	C820	23	R171	26	R595	26	U243	24	U620	16
C323	23	C832	23	R172	26	R596	26	U250	24	U621	15
C324	23	C833	23	R173	26	R597	26	U252	24	U622	15
C331	23	C891	23	R193	26	R603	26	U280	26	U623	15
C340	23	C892	23	R194	26	R605	26	U281	26	U630	23
C341	23	C900	26	R196	26	R607	26	U282	26	U631	23
C342	23	C901	26	R199	26	R610	15	U286	26	U632	23
C350	23	C903	26	R223	25	R612	15	U300	16	U640	23
C390	26	C907	26	R230	25	R620	26	U312	25	U641	16
C392	23	C912	26	R232	25	R650	15	U313	25	U642	15
C400	23	C915	26	R262	26	R650	15	U314	24	U650	16
C401	23	C920	26	R272	26	R650	23	U320	24	U650	23
C402	23	C925	26	R273	26	R690	23	U321	24	U651	16
C414	23	C930	26	R274	26	R713	15	U322	15	U670	16
C415	23	C932	26	R276	26	R715	15	U323	24	U680	16
C416	23	C934	26	R280	26	R716	15	U323	25	U710	15
C420	23	C935	26	R282	26	R720	15	U330	25	U711	15
C422	23	C936	26	R286	26	R720	16	U340	25	U712	15
C450	23	CR190	26	R312	25	R721	15	U350	24	U720	15
C460	23	CR191	26	R330	25	R722	16	U350	25	U721	15
C480	23	CR193	26	R381	26	R723	15	U370	26	U722	15
C500	23	CR194	26	R382	26	R730	26	U380	26	U722	16
C510	23	CR280	26	R363	26	R780	23	U400	16	U730	15
C511	23	CR281	26	R364	26	R781	23	U401	16	U731	15
C513	23	CR283	26	R366	26	R810	15	U410	25	U731	15
C520	23	CR284	26	R376	26	R832	15	U411	25	U732	23
C521	23			R380	26	R833	15	U412	25	U740	23
C522	23	J100	15	R381	26	R840	15	U413	24	U780	23
C523	23	J100	16	R382	26	R841	25	U413	25	U830	15
C531	23	J100	25	R383	26	R842	15	U414	25	U831	15
C532	23	J100	26	R384	26	R843	15	U415	25	U832	15
C540	23	J117	23	R385	26	R844	15	U416	25	U880	23
C541	23	J121	16	R400	16	R845	15	U420	25		
C540	23	J121	25	R421	15	R880	23	U421	24	W132	15
C551	23	J121	26	R421	16	R881	23	U422	24	W140	15
C555	23	J131	16	R421	23	R884	23	U423	24	W140	15
C560	23	J131	24	R421	24	R880	23	U423	25	W140	24
C570	23	J131	25	R421	26	R851	23	U430	24	W140	25
C595	26	J131	26	R441	26			U431	24	W140	26
C601	23	J132	15	R450	24	TP130	26	U440	24	W609	26
C610	23	J148	26	R470	26	TP133	15	U441	24		
C611	23	J513	15	R471	26	TP200	26	U442	25	Y611	15
C612	23			R472	26	TP250	26	U450	24		
C613	23	L692	23	R473	26	TP341	26	U450	25		
C620	23	L694	23	R474	26	TP400	23	U460	26		
C621	23	L770	23	R475	26	TP490	26	U500	16		



CE2E025  
Figure FO-14. A11 Time Base/Display Board Component Locator (Sheet 1 of 2). FP-49/(FP-50 blank)



CE2EB026

Figure FO-14. A11 Time Base/Display Board  
Component Locator (Sheet 2 of 2).  
FP-51/(FP-52 blank)



Location of the Components Shown in this Figure and in Figure FO-14.

CIRCUIT NUMBER	SCHEM LOCATION	BOARD LOCATION	CIRCUIT NUMBER	SCHEM LOCATION	BOARD LOCATION	CIRCUIT NUMBER	SCHEM LOCATION	BOARD LOCATION	CIRCUIT NUMBER	SCHEM LOCATION	BOARD LOCATION	CIRCUIT NUMBER	SCHEM LOCATION	BOARD LOCATION
<b>A11 TIME BASE/DISPLAY BOARD*</b>														
J100	2M	9D	R721F	4H	8F	U523B	1G	8F	U721	3H	8E	U722A	1K	8F
J100	7E	9D	R721G	4L	8F	U612A	3B	7D	U730A	7J	8G	U731A	7L	8G
R421	5F	4E	R721H	7K	8F	U612A	2B	7D	U730A	7J	8G	U731A	7L	8G
R421D	1G	4E	R723	2L	8F	U615A	3C	8D	U731B	7L	8G	U731C	8L	8G
R530	1L	6G	R831	5M	9F	U620A	4K	7E	U830	6J	9G	U831	4L	9G
R610	2B	7D	R832	2L	9F	U620B	8F	7E	U831E	3L	9G	U832A	5M	9H
R612	2C	7D	R833	3L	9F	U620C	2E	7E	U831E	3L	9G	U832B	5M	9H
R650E	4J	6K	R840	5M	9H	U621	9H	7E	U831E	3L	9G	U832C	4M	9H
R713	8F	8D	R841	7L	9H	U622	1E	7F	U831E	3L	9G	U832C	4M	9H
R715	7D	8D	R842	7L	9H	U623A	4G	7F	U831E	3L	9G	U832C	4M	9H
R716	7D	8D	R843	8L	9H	U623B	5G	7F	U831E	3L	9G	U832C	4M	9H
R720A	1D	8E	R844	5M	9H	U623C	1E	7F	U831E	3L	9G	U832C	4M	9H
R720B	5G	8E	R845	4M	9H	U642	5J	7J	U831E	3L	9G	U832C	4M	9H
R720D	7D	8E				U710	6B	8C	U831E	3L	9G	U832C	4M	9H
R720E	8F	8E	TP133	7C	8B	U711A	8B	8C	U831E	3L	9G	U832C	4M	9H
R720F	5E	8E				U711B	8B	8C	U831E	3L	9G	U832C	4M	9H
R720G	7D	8E	U513A	2A	6D	U711C	7B	8C	U831E	3L	9G	U832C	4M	9H
R720H	5K	8E	U513B	4B	6D	U711D	5K	8C	U831E	3L	9G	U832C	4M	9H
R720I	6B	8E	U513D	4K	6D	U712A	7D	8E	U831E	3L	9G	U832C	4M	9H
R721A	7J	8F	U513E	6H	6D	U712B	8C	8E	U831E	3L	9G	U832C	4M	9H
R721B	2G	8F	U513F	2F	6D	U712C	7D	8E	U831E	3L	9G	U832C	4M	9H
R721C	6D	8F	U522A	4H	6F	U712D	8E	8E	U831E	3L	9G	U832C	4M	9H
R721D	2B	8F	U522B	1F	6F	U720A	5E	8E	U831E	3L	9G	U832C	4M	9H
R721E	3C	8F	U523A	2G	6F	U720B	5L	8E	U831E	3L	9G	U832C	4M	9H
<b>CHASSIS PARTS (NOT MOUNTED ANY CIRCUIT BOARD)</b>														
P100	2N	CHASSIS	P100	7E	CHASSIS									

\*A partial schematic of the A11 Time Base/Display Board is also shown in fig. FO-16, FO-23, FO-24, FO-25, and FO-26. Component locations are shown in fig. FO-14.

**NOTE**  
This circuit contains static-sensitive devices. See page C at the front of this manual for information on handling static-sensitive devices.

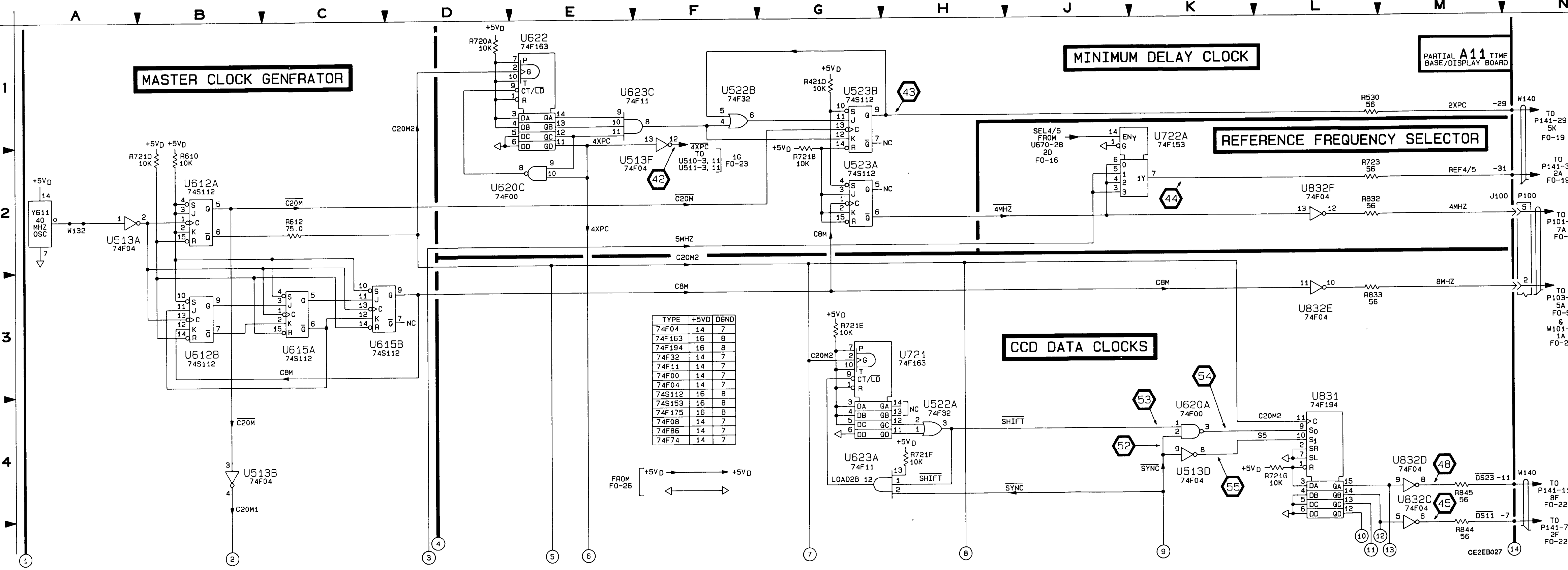
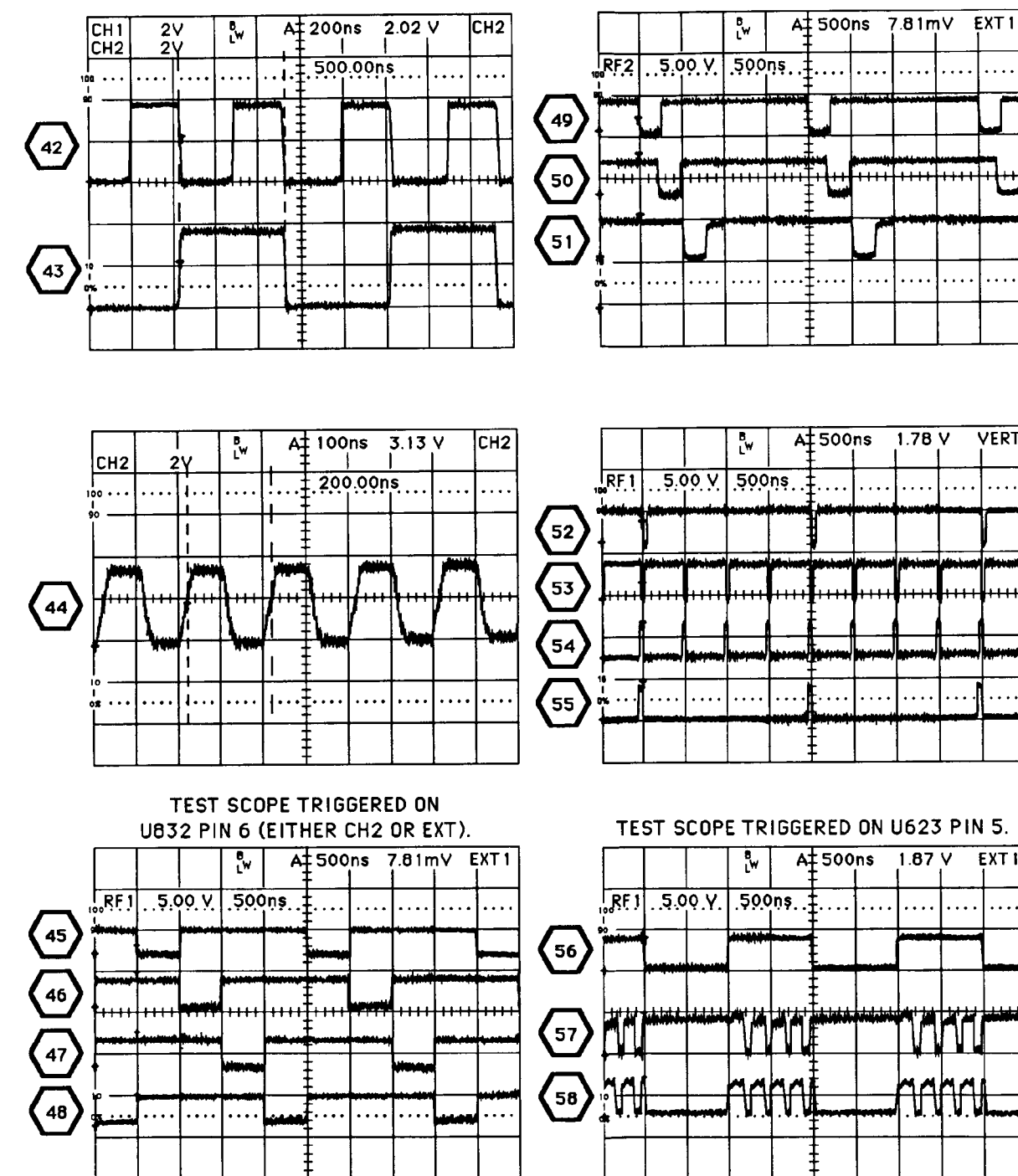


Figure FO-15. System Clocks Schematic (Sheet 1 of 2).  
FP-53/(FP-54 blank)

TEST WAVEFORMS FOR THIS FIGURE



NOTE

Waveforms 17, 18, and 19 are shown in fig. FO-6.

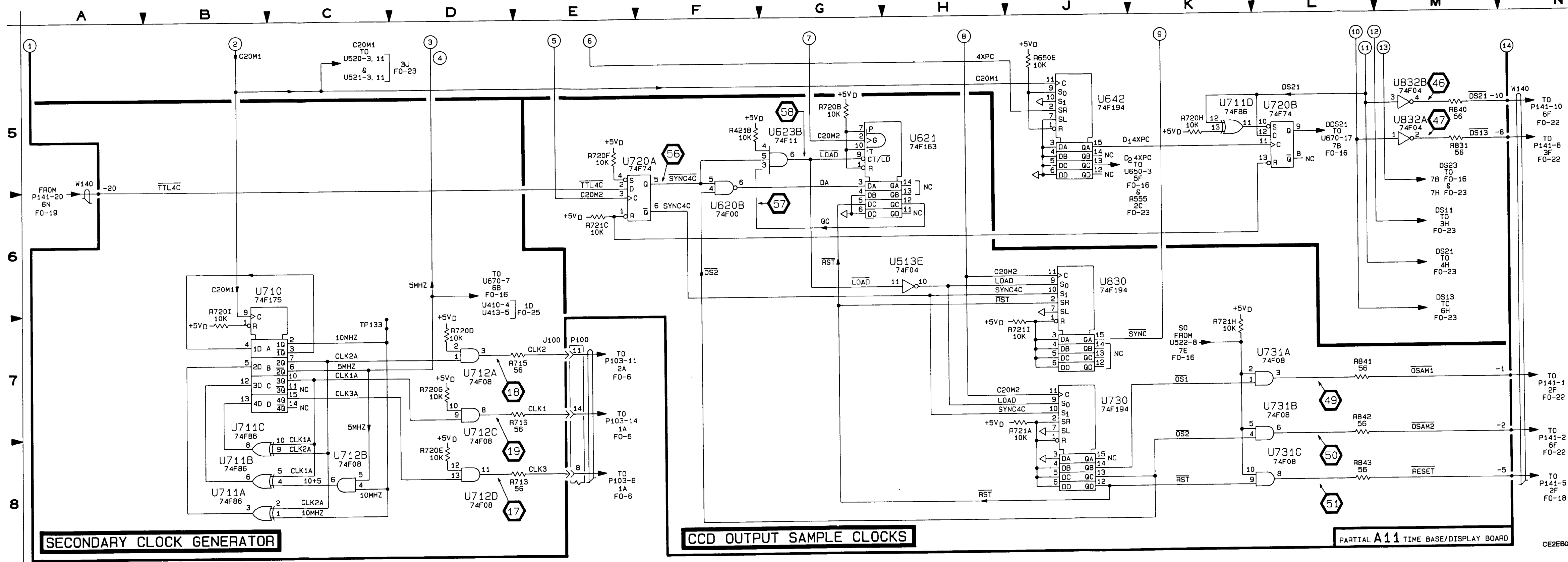


Figure FO-15. System Clocks Schematic (Sheet 2 of 2).  
FP-55/(FP-56 blank)

Location of the Components Shown in this Figure and in Figure FO-14.

CIRCUIT NUMBER	SCHEM LOCATION	BOARD LOCATION	CIRCUIT NUMBER	SCHEM LOCATION	BOARD LOCATION	CIRCUIT NUMBER	SCHEM LOCATION	BOARD LOCATION
<b>A11 TIME BASE/DISPLAY BOARD*</b>								
J100	6F	9D	U400	5J	5B	U670	3C	7K
J121	1C	9K	U401	7J	5C	U680A	6D	8J
J121	3A	9K	U500A	2F	6A	U680B	6D	8J
J121	6F	9K	U500B	1G	6A	U680C	7E	8J
J121	6A	9K	U500C	1G	6A	U680D	7E	8J
J131	1E	2E	U500D	2F	6A	U680E	7E	8J
J131	1M	2E	U501	1H	6B	U680F	3E	8J
J131	5M	2E	U502	5L	6B	U680G	3H	8J
J131	7F	2E	U512C	5E	6D	U680H	3H	8J
J131	7L	2E	U512D	2G	6D	U722B	4J	8F
			U522C	7E	6F	U731D	2G	8G
R400	5J	5B	U522D	2G	6F			
R421G	2H	4E	U600	7A	7B	W140	1C	8K
R501	1H	6B	U601	5L	7B	W140	2A	8K
R522	7F	6F	U610	3M	7C	W140	6A	8K
R650B	5D	6K	U613	1L	7D	W140	6A	8K
R650H	1J	6K	U620D	2L	7E	W140	7F	8K
R650I	6D	6K	U641	4B	7J			
R720C	2L	8E	U650A	5D	7K			
R722	4J	8F	U650B	6F	7K			
U300	6J	4C	U651A	5E	7K			
			U651B	1K	7K			
<b>CHASSIS PARTS (NOT MOUNTED ON ANY CIRCUIT)</b>								
P121	1C	CHASSIS	P131	1E	CHASSIS	P131	6F	CHASSIS
P121	3A	CHASSIS	P131	1M	CHASSIS	P131	7F	CHASSIS
P121	6A	CHASSIS	P131	5M	CHASSIS	P131	7L	CHASSIS

\*A partial schematic of the A11 Time Base/Display Board is also shown in fig. FO-15, FO-23, FO-24, FO-25, and FO-26. Component locations are shown in fig. FO-14.

**NOTE**

This circuit contains static-sensitive devices. See page C at the front of this manual for information on handling static-sensitive devices.

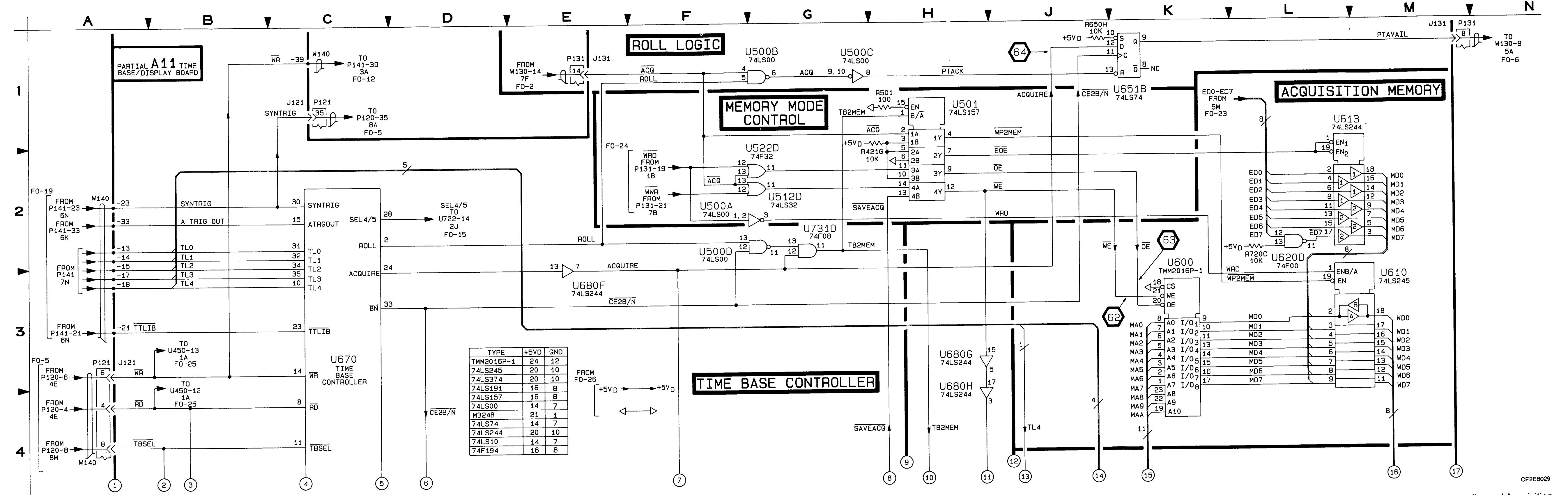


Figure FO-16. Time Base Controller and Acquisition Memory Schematic (Sheet 1 of 2).  
FP-57/(FP-58 blank)

TEST WAVEFORMS FOR THIS FIGURE

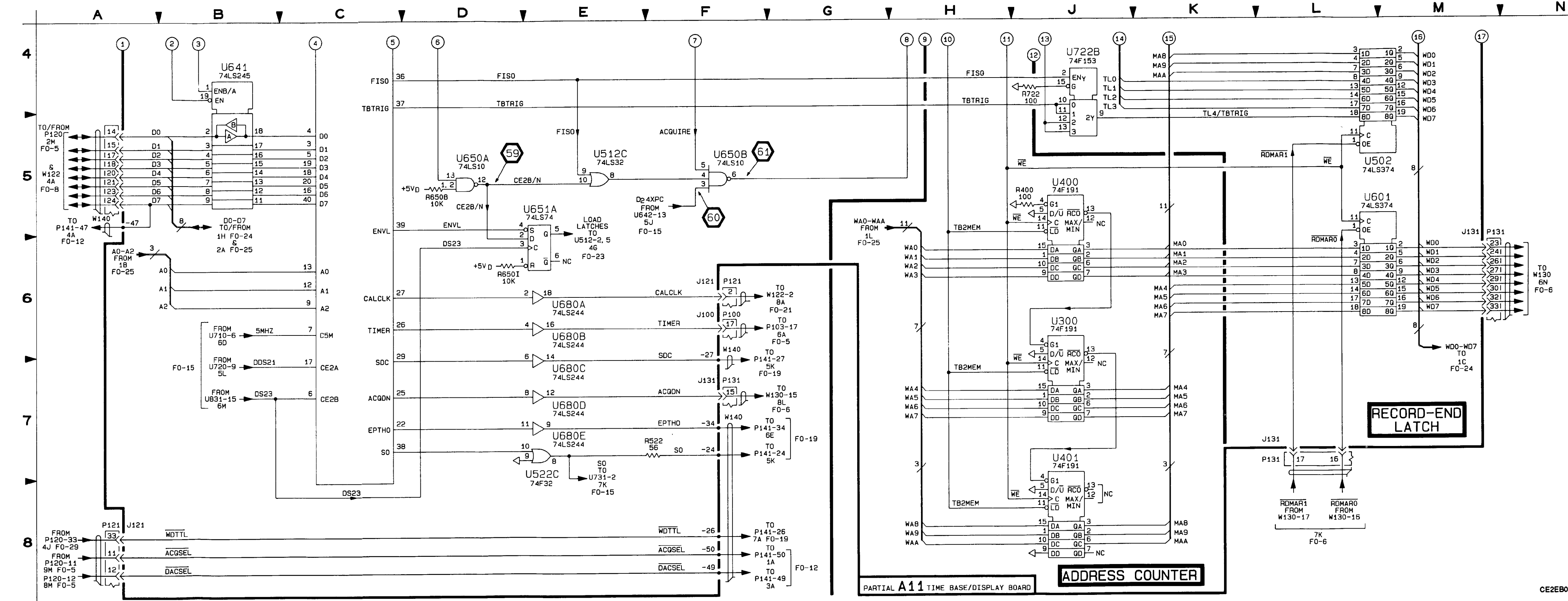
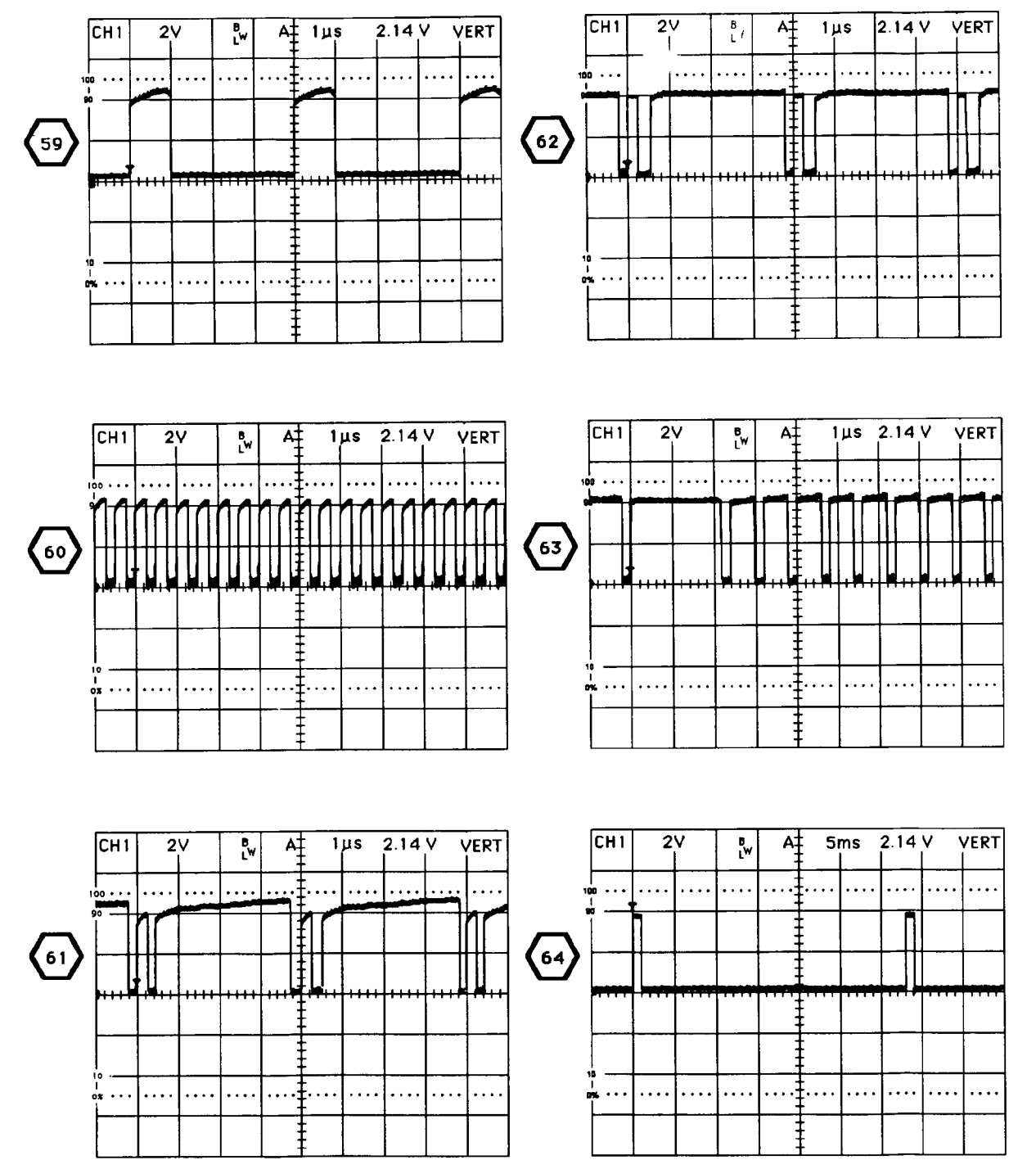


Figure FO-16. Time Base Controller and Acquisition Memory Schematic (Sheet 2 of 2). FP-59/(FP-60 blank)

CE2EB030

Location of the Components Shown in this Figure and in Figure FO-11.

CIRCUIT NUMBER	SCHEM LOCATION	BOARD LOCATION	CIRCUIT NUMBER	SCHEM LOCATION	BOARD LOCATION	CIRCUIT NUMBER	SCHEM LOCATION	BOARD LOCATION	CIRCUIT NUMBER	SCHEM LOCATION	BOARD LOCATION
<b>A10 MAIN BOARD<sup>1</sup></b>											
AT300	5C	4B	C524	1K	7D	LR215	5J	2F	R320	4M	3E
AT400	1C	5B	C530	4A	7E	LR220	5L	3E	R420	1J	7D
C101	8C	1B	C600	2G	7B	LR410	5L	5C	R421	4J	5E
C112	6K	1D	C883	3K	5D	LR421	2L	5E	R425	3J	5E
C120	6H	2D	CR140	6M	2F	LR422	1J	7D	R500	1G	7B
C122	5G	2D	CR141	6M	2G	LR510	3L	7C	R501	2G	6C
C143	6M	2G	CR220	5D	3D	Q110	6J	1D	R510	2B	8C
C144	5M	1G	CR221	5D	3D	Q240A	6M	2G	R512	2H	7C
C201	7C	3B	CR222	5E	2D	Q240B	6L	6C	R515	3H	8D
C202	7H	3B	CR223	5E	2D	Q620	6A	8E	R516	2H	8D
C205	6G	3A	CR224	5E	2D	Q621	4B	8E	R520	3L	7D
C210	6J	3B	CR225	5E	2D	R110	7J	1C	R521	2J	7D
C211	6K	3C	CR226	5D	3D	R111	8J	2C	R530	4A	7E
C212	7G	3C	CR310	6G	4C	R112	6J	2D	R512	5A	8C
C213	5J	3C	CR311	6G	4C	R120	6J	2D	R513	5A	8C
C214	5H	3C	CR410	1G	5C	R121	5G	2E	R514	4B	8D
C215	5H	3D	CR411	1G	5C	R131	5L	2E	R524	4B	8D
C216	6H	3D	CR500	3D	7C	R132	2M	2F	R525	4A	8D
C220	6H	2D	CR501	3D	7C	R133	2M	2F	R1001	7B	3A
C222	4G	3D	CR502	3E	8C	R135	4M	3E	R1002	7B	3A
C223	5J	3D	CR503	3E	7C	R140	7G	5L	R1003	8B	1A
C225	5H	2D	CR600	3E	8C	R141	6M	2G	R1004	8B	1A
C230	5M	2E	CR601	3E	8C	R143	6M	2G	U100	7K	1B
C231	4M	2F	CR602	3D	7C	R144	5M	2F	U220	4C	2D
C232	4M	2F	CR610	5A	8C	R202	9G	3B	U221	4B	2E
C233	2M	2F	CR620	5D	7D	R203	9G	3B	U230A	4M	2F
C240	5M	2G	CR821	3D	7D	R211	7F	3B	U230B	2M	2F
C310	2L	6E	CR822	5B	8D	R215	5H	3D	U320	4K	4D
C311	6F	4C	J111	5F	1E	R216	5H	3C	U510	3C	7C
C321	4J	4D	J113	3H	1G	R220	5H	3D	U511	3C	7C
C322	4J	4C	J114	4N	1G	R222	4G	3D	U520A	3C	7E
C410	4H	4C	J146	1F	6B	R230	4D	2E	U520B	5C	7E
C412	3J	4G	J148	1F	6B	R231	4L	2E	U520D	4A	7E
C414	1G	5C	J177	6F	3B	R235	2M	2F	VR200	5H	3C
C421	2J	5C	J178	5D	4A	R236	2L	2F	VR420	2H	7D
C422	3H	7E	L120	6K	1D	R237	3C	2F	W110	5G	3C
C423	1J	5E	L200	7H	3B	R240	6M	2G	W221	4H	3D
C509	2H	6C	L210	6K	3C	R241	6L	2F	W511	2H	7D
C510	3L	7C	L220	6K	3C	R243	5M	2G			
C511	3L	7C	L510	7C	3L	R310	2L	6D			
C512	2H	7C	L520	3J	7D						
C522	3J	7D	L521	1K	7D						
C523	2J	7D									
<b>CHASSIS PARTS (NOT MOUNTED ON ANY CIRCUIT BOARD)</b>											
C1005	1F	CHASSIS	J2002	6A	CHASSIS	P113	3N	CHASSIS	R1005	1F	CHASSIS
C1006	6F	CHASSIS	J2004	1C	CHASSIS	P114	6N	CHASSIS	R1006	6F	CHASSIS
J1902	6N	CHASSIS	J2005	6C	CHASSIS	P146	1F	CHASSIS	R1015	1G	CHASSIS
J2001	7A	CHASSIS	P113	3H	CHASSIS	P147	6F	CHASSIS	R1016	6G	CHASSIS

<sup>1</sup>A partial schematic of the A10 Main Board is also shown in fig. FO-12, FO-13, FO-18, FO-19, FO-20, FO-21, FO-22, and FO-28. Component locations are shown in fig. FO-11.

**NOTE**

This circuit contains static-sensitive devices. See page C at the front of this manual for information on handling static-sensitive devices.

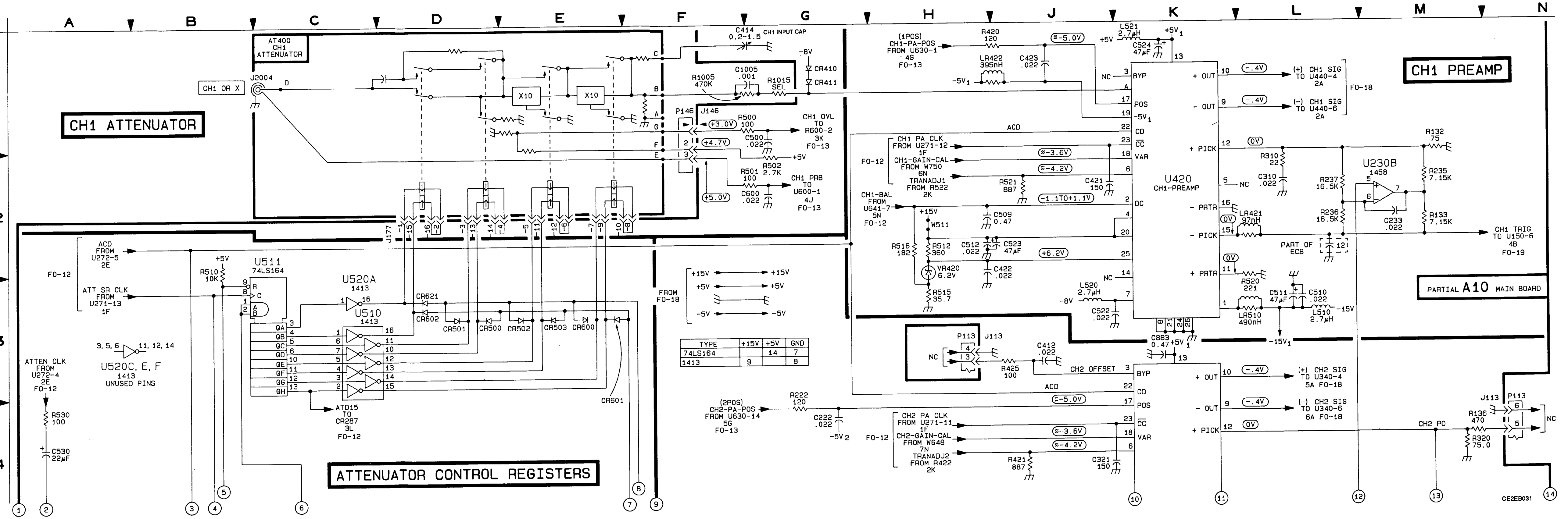


Figure FO-17. Attenuators and Preamps Schematic (Sheet 1 of 2). FP-61/(FP-62 blank)

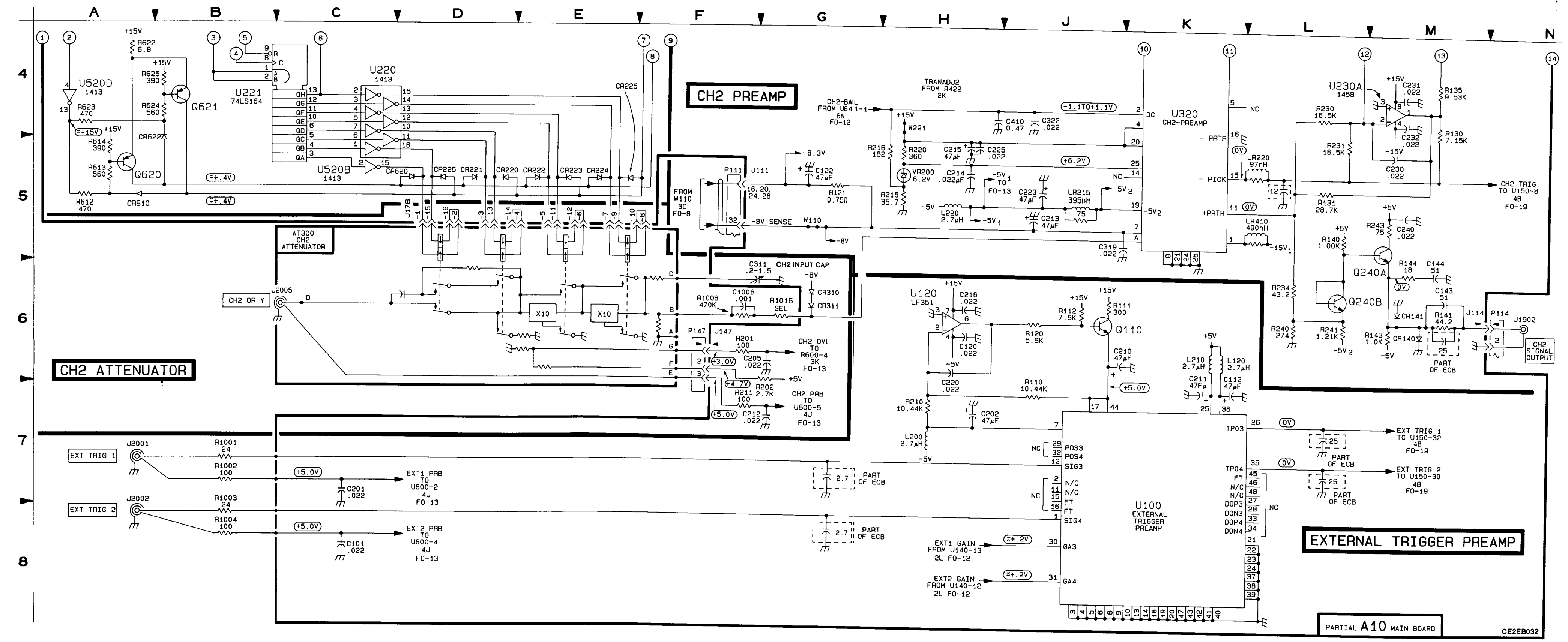


Figure FO-17. Attenuators and Preamps Schematic (Sheet 2 of 2). FP-63/(FP-64 blank)



Location of the Components Shown in this Figure and in Figure FO-11.

CIRCUIT NUMBER	SCHEM LOCATION	BOARD LOCATION	CIRCUIT NUMBER	SCHEM LOCATION	BOARD LOCATION	CIRCUIT NUMBER	SCHEM LOCATION	BOARD LOCATION	CIRCUIT NUMBER	SCHEM LOCATION	BOARD LOCATION
<b>A10 MAIN BOARD*</b>											
C110	7G	1C	J111	8D	1E	R355	8D	3L	R557	2G	7K
C111	8C	1D				R356	7H	4K	R558	2G	7K
C140	7G	2E				R357	4H	6K	R560	4H	7K
C141	7G	1G				R365	4K	3K	R561	4F	7K
C142	8G	1G	L261	4M	2K	R366	4K	3K	R562	4F	7K
C190	8M	2N	L332	7B	5F	R370	7H	4K	R567	5M	5J
C225	7C	3H	L340	4B	3E	R372	5N	4K	R568	5M	5J
C243	8E	3G	L351	6E	4H	R374	3M	4L	R569	8K	7L
C263	4M	3K	L352	5E	4H	R375	3N	4L	R568	8K	7L
C264	4L	3K	L353	5E	4H	R376	3N	4L	R568	8K	7L
C265	4L	3K	L353	5E	4H	R376	3N	4L	R568	8K	7L
C330	8B	4E	L450	3E	5H	R378	3M	4L	R632	6E	8C
C340	4B	3E	L451	3E	5H	R379	5M	4L	R633	5E	8C
C341	4C	3E	L530	1B	7F	R430	3C	5F	R635	6D	7F
C350	5D	4H	L531	1B	6E	R435	3C	5G	R636	6D	7F
C351	8E	3H	L550	2E	6H	R440	3C	5H	R637	6D	7F
C352	5E	4H	L551	2E	6H	R441	2D	5H	R640	2D	7G
C353	3E	5H	L862	1H	10G	R450A	3E	5H	R641	1D	7G
C354	1E	8H				R450B	3E	5H	R642	1D	7G
C356	7H	4K				R450C	1E	5H	R643	1D	7G
C370	7J	4K	O170	4M	2K	R450D	1E	5H	R646	1E	7H
C372	5N	5L	Q372	5N	4L	R452	4F	7H	R647	1E	7H
C375	2B	4L	Q375	3N	4L	R453	4F	8K	R650	4J	7H
C430	3N	6E	Q450	4F	8L	R454	5F	5K	R651	1E	7H
C431	4C	5D	Q460	5F	5L	R455	5F	5K	R742	2D	9G
C440	3E	5H	Q530	4E	8D	R456	4G	6K	R743	4D	9G
C441	4B	5E	Q540	2E	6H	R461	5F	5K	R859	8J	10J
C464	4L	5K	Q550	3F	7J	R465	4K	5J	R864	8J	10J
C465	4L	5K	Q551	2G	7J	R466	4K	5J	R865	1J	10G
C474	AJ	8L	Q560	4F	7K	R467	3M	7J	R866	8J	10J
C480	8E	8L	Q580	8L	6M	R468	3M	7J	R868	1J	10H
C493	8F	5N	Q630	6E	8C	R470	4H	8K	R869	1J	10H
C532	6E	7F	Q640	1E	7G	R485	8M	6L	TP281	7M	3N
C535	4E	7F				R487	8M	6L	TP345	4K	4H
C540	2E	7F	R170	4N	2L	R488	8M	6L	TP347	7F	4H
C541	4E	7F	R175	4N	2L	R532	5E	8D			
C542	4B	7G	R232	7C	3E	R533	4E	8D	U340	4A	3G
C550	1E	8H	R238	6B	2G	R534	4E	8D	U350	5K	3J
C550	3F	7H	R242	6B	2G	R535	4D	7F	U360A	3N	4L
C552	8M	6K	R244	6D	3H	R536	4D	7F	U360B	5N	4L
C581	8L	7F	R245	7C	3G	R540	2D	6G	U440	1C	5G
C640	5E	7G	R251	4M	3J	R541	1D	6H	U450	2K	5J
C641	1E	7G	R254	4M	3H	R542	1D	6G	U450A	1D	7F
C650	6J	10J	R340	7C	4G	R543	9B	7G	U450B	2D	7F
C661	1J	10H	R341	6D	4G	R544	9B	7G	U450C	2D	7F
C662	1H	10G	R342	5D	4H	R545	2D	7G	U450D	4D	7F
C683	1H	10G	R343	5D	4G	R546	2E	7G	U500B	8L	7L
CR550	AJ	8H	R350A	6D	3H	R551	2E	7G	U862	8J	10H
CR551	4L	7H	R350B	6D	3H	R552	3G	7H	U863	1J	10H
CR552	4L	7H	R350C	5E	3H	R553	3F	7H			
CR553	4L	7H	R350D	5E	3H	R554	3F	7H			
			R353	4L	7H	R556	3G	7K			
J111	7E	1E	R354	8D	3L						
<b>CHASSIS PARTS (NOT MOUNTED ON ANY CIRCUIT BOARD)</b>											
P111	7E	CHASSIS	P111	8E	CHASSIS	P141	2F	CHASSIS			

\*A partial schematic of the A10 Main Board is also shown in fig. FO-12, FO-13, FO-17, FO-19, FO-20, FO-21, FO-22, and FO-28. Component locations are shown in fig. FO-11.

NOTE

This circuit contains static-sensitive devices. See page C at the front of this manual for information on handling static-sensitive devices.

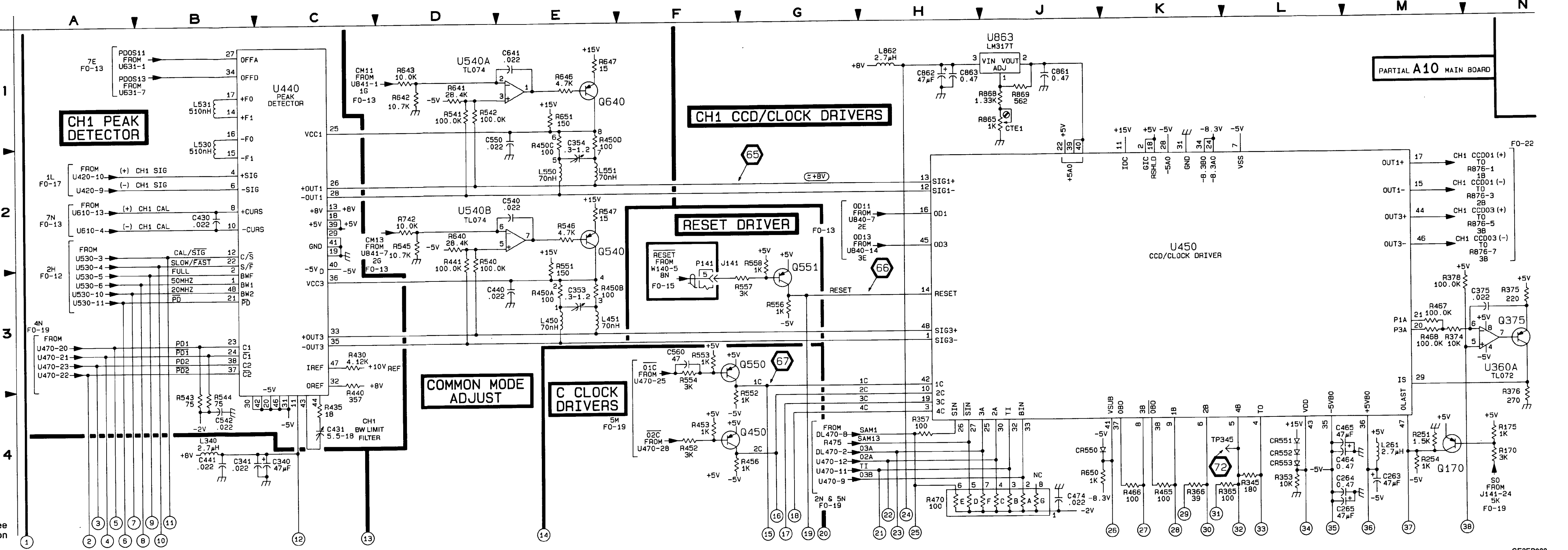


Figure FO-18. Peak Detectors and CCD/Clock Drivers Schematic (Sheet 1 of 2). FP-65/(FP-66 blank)

TEST WAVEFORMS FOR THIS FIGURE

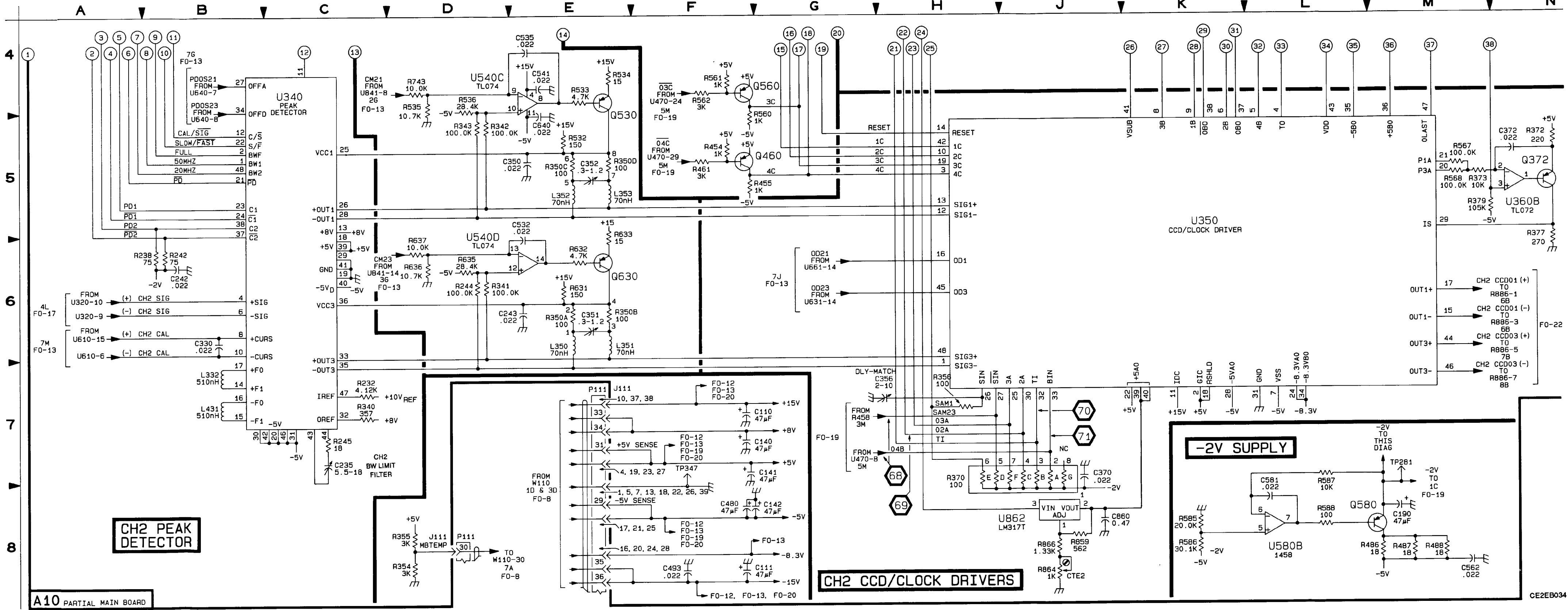
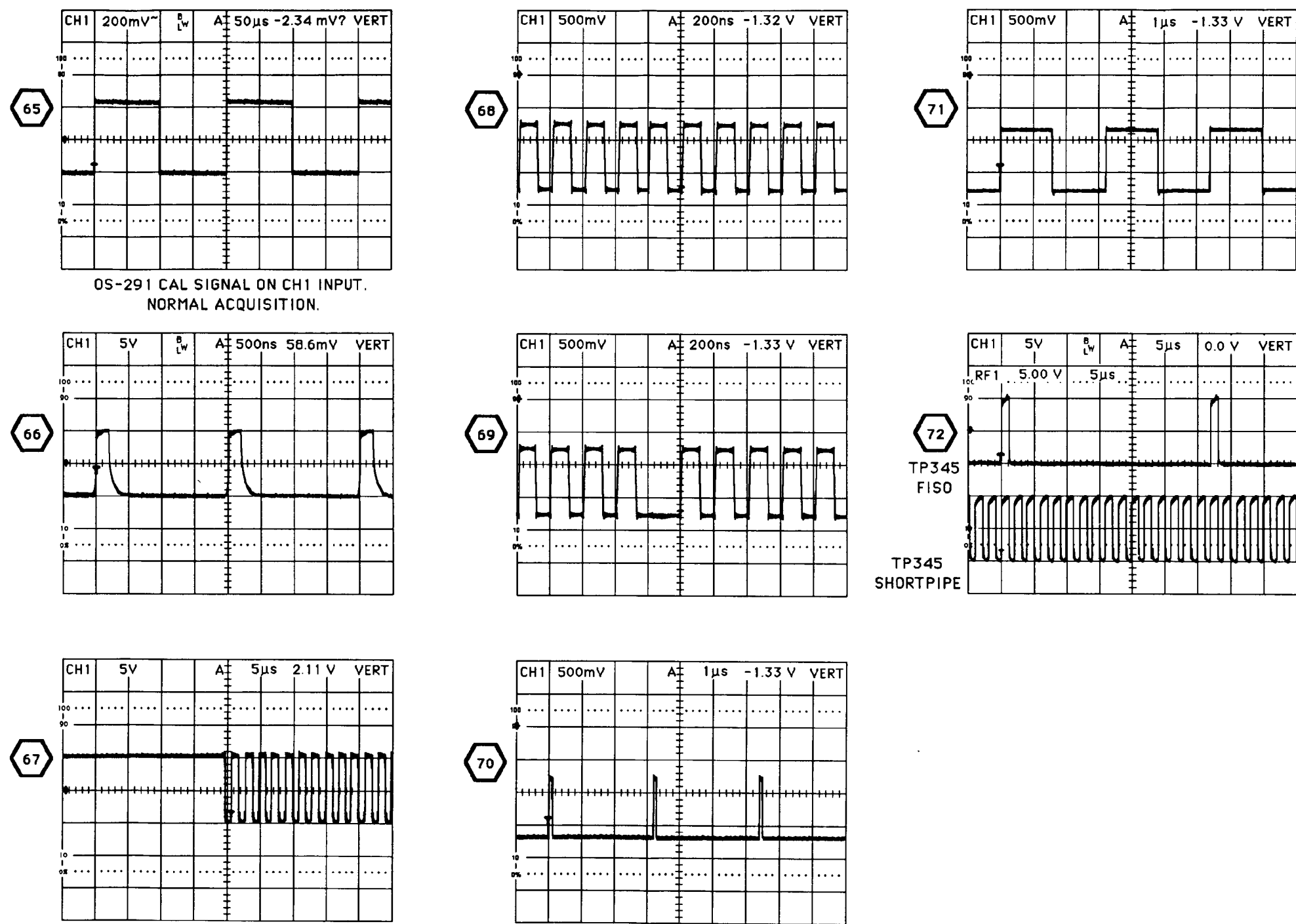


Figure FO-18. Peak Detectors and CCD/Clock Drivers Schematic (Sheet 2 of 2). FP-67/(FP-68 blank)



Location of the Components Shown in this Figure and in Figure FO-11.

CIRCUIT NUMBER	SCHEM LOCATION	BOARD LOCATION	CIRCUIT NUMBER	SCHEM LOCATION	BOARD LOCATION	CIRCUIT NUMBER	SCHEM LOCATION	BOARD LOCATION	CIRCUIT NUMBER	SCHEM LOCATION	BOARD LOCATION
<b>A10 MAIN BOARD</b>											
C150	7D	1H	J113	7E	1H	R250	4B	3H	R481	2G	6L
C180	5B	1K	J113	8A	1H	R252	4D	4K	R499	2H	7L
C181	5C	1K	J114	6J	2K	R253	3E	3K	R571	4J	6L
C182	6B	2K	J141	1A	1M	R255	3E	4K	R572	4H	6L
C189	1B	2N	J141	5K	1M	R260	4D	3K	R573	3K	6L
C241	7H	3N	J141	6E	1M	R261	5C	2K	R574	4J	6M
C250	4B	2H	J141	6M	1M	R262	7C	2L	R575	4J	6M
C260	6D	2K	J141	7A	1M	R267	3H	4M	R581	2H	7L
C272	8G	3M				R270	7C	3L	R584	2J	6L
C280	3G	3M	L160	6D	2H	R271	3J	4M			
C281	1E	2M	L260	7C	3H	R275	6J	3M	T370	3F	3L
C287	7H	2N	L270	1D	3L	R276	7H	3M	T371	5F	3L
C288	6H	2N				R278	4J	4M			
C361	4E	2K	Q140	7D	1G	R281	6J	2L	TP163	1B	2N
C370	1D	4K	Q150	4E	1K	R282	7J	2L	TP173	5K	2L
C371	3E	3K	Q151	4E	1K	R286	7M	2N	TP174	2C	2L
C380	2E	4M	Q250	3E	3L	R287	6M	2N	TP231	2B	2E
C450	3M	4K	Q251	3E	3K	R288	6M	2N	TP264	2B	3N
C460	2M	6L	Q270	3H	4N	R361	4E	4K	TP291	6M	1N
C463	2L	5L	Q271	3J	4M	R368	7H	3M	TP370	5G	4M
C472	1L	4M	Q288	6H	2N	R371A	5E	3L	TP568	2B	7L
C473	8L	5M				R371B	3E	3L	TP561	2J	7L
C484	2H	7L				R371D	5E	3L	TP565	2B	7M
C488	2H	7L	R134	7B	1F	R371E	5E	3L	TP612	2B	9C
C580	2J	6M	R145	7D	1G	R380	2E	4M	TP832	2B	10F
CR270	3J	4M	R146	7D	1G	R381	2F	4M	U150	2C	1J
CR285	6J	3N	R150	7D	1G	R382	2G	4M	U370	4G	3L
CR286	7J	3N	R151	4D	2K	R383	2F	4M	U380B	6M	3N
CR580	1J	6M	R160	4E	1K	R384	2D	4M	U380C	6M	3N
CR581	2J	7L	R161	4D	1K	R385	2G	4M	U380D	6M	3N
DL470A	3M	5L	R162	5B	1K	R457	2L	6L	U381	2C	4M
DL470B	2M	5L	R163	6B	2K	R458	3M	3M	U470	2L	5M
J111	6A	1E	R165	4E	1K	R459	3M	4K	U580A	2H	7L
J111	7J	1E	R183	6H	3N	R460	2M	4K	VR296	7H	2N
			R184	7H	3N	R462	3M	4K			
			R185	6H	3N	R463	2L	5L			
			R186	6J	3N	R475	2M	6L			
			R225	7C	1G	R480	2G	6L	W141	4C	2G
<b>CHASSIS PARTS (NOT MOUNTED ON ANY CIRCUIT BOARD)</b>											
J1900	7K	CHASSIS	P111	7J	CHASSIS	P141	1A	CHASSIS	P141	6M	CHASSIS
J1901	6K	CHASSIS	P113	7E	CHASSIS	P141	5K	CHASSIS	P141	7A	CHASSIS
P111	6A	CHASSIS	P114	6J	CHASSIS	P141	6E	CHASSIS			

A partial schematic of the A10 Main Board is also shown in fig. FO-12, FO-13, FO-17, FO-18, FO-20, FO-21, FO-22, and FO-28. Component locations are shown in fig. FO-11.

**NOTE**

This circuit contains static-sensitive devices. See page C at the front of this manual for information on handling static-sensitive devices.

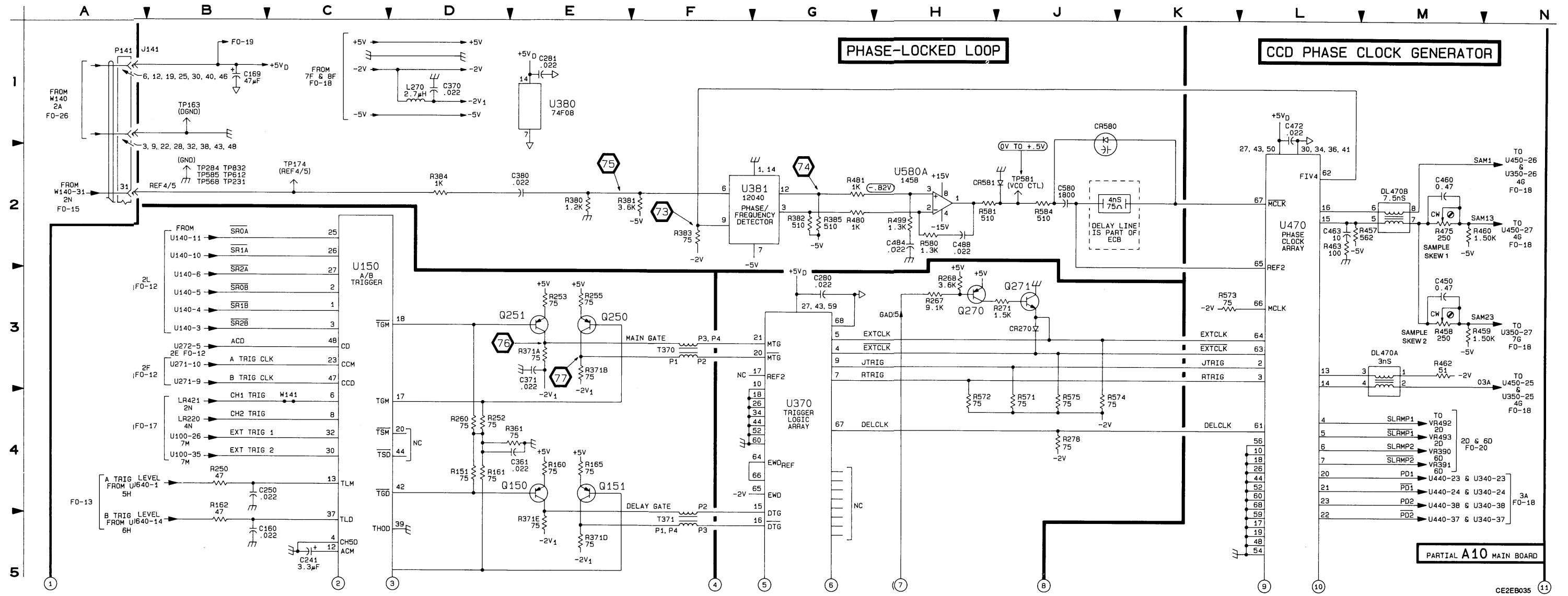


Figure FO-19. Triggers and Phase Clocks Schematic (Sheet 1 of 2).

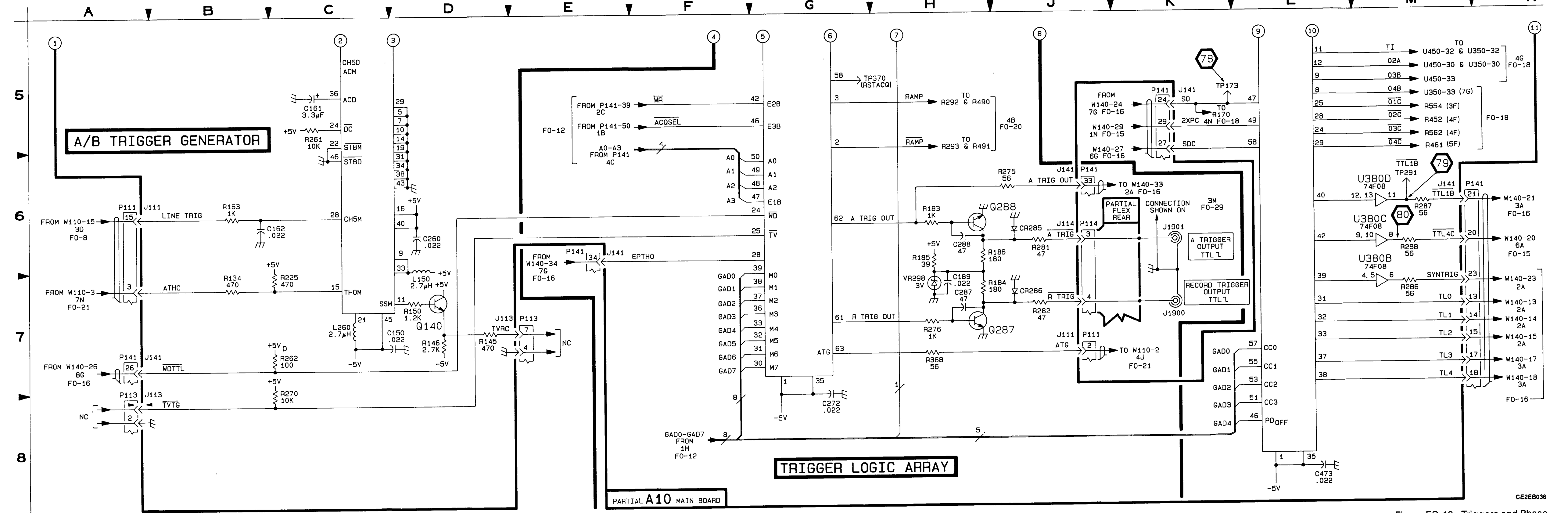
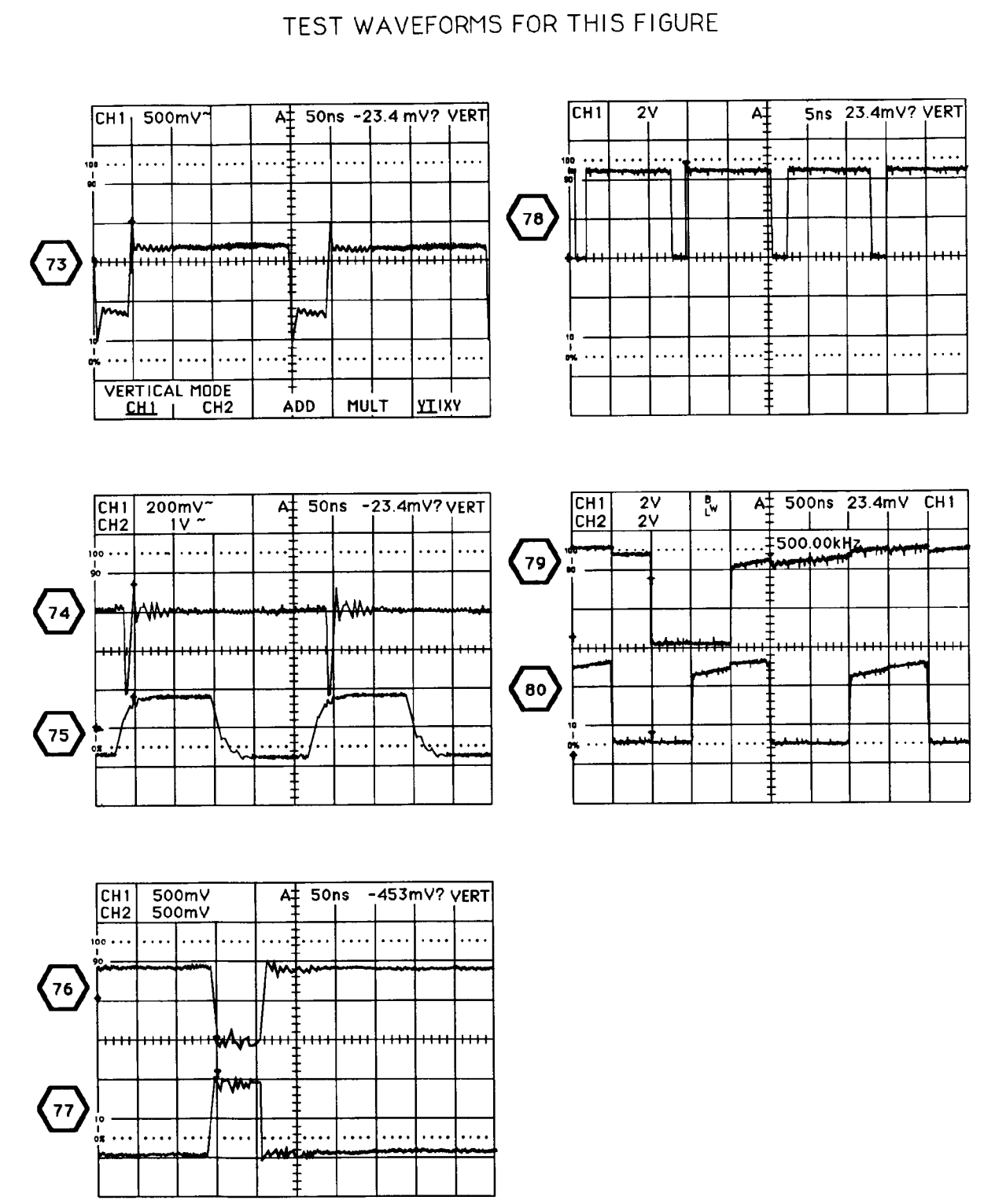


Figure FO-19. Triggers and Phase Clocks Schematic (Sheet 2 of 2). FP-71/(FP-72 blank)

Location of the Components Shown in this Figure and in Figure FO-11.

CIRCUIT NUMBER	SCHEM LOCATION	BOARD LOCATION	CIRCUIT NUMBER	SCHEM LOCATION	BOARD LOCATION	CIRCUIT NUMBER	SCHEM LOCATION	BOARD LOCATION	CIRCUIT NUMBER	SCHEM LOCATION	BOARD LOCATION
<b>A10 MAIN BOARD<sup>1</sup></b>											
C282	6D	3N	Q290	8E	3N	R387	8E	4N	R464	4D	5N
C290	5J	3N	Q291	8E	3N	R388	8H	4N	R465	3H	6N
C390	5J	3N	Q360	3B	4N	R396	8H	4N	R466	2E	6N
C391	7H	3N	Q360	6E	4N	R390	8D	3N	R467	2E	6N
C471	5L	4N	Q391	6E	4N	R391	7H	3N	R468	1F	6M
C481	4E	5M	Q392	4D	5N	R392	8J	3N	R590	1E	4N
C483	2D	6M	Q393	8J	4N	R393	5F	4N	R592	3D	5N
C490	5K	5N	Q490	4E	6N	R394	3B	5M	R594	5E	4N
C491	3H	6N	Q401	2E	6N	R395	3B	5M	R595	5C	4N
C492	6K	6N	Q492	2E	6N	R396	3K	5M	R596	1C	4N
C590	5H	4N	Q493	1E	4N	R397	3L	5M	R598	8D	5N
C591	6H	5N	Q494	5E	4N	R398	3J	5M	R599	4H	6M
			Q495	4J	6N	R399	2J	5M			
CR290	8E	3N				U390	7J	3N			
CR291	7C	3N	R283	8E	3N	R477	8D	6M	U490	3J	6O
CR292	8E	3N	R284	6D	4N	R478	8F	6M	U590A	1D	5N
CR392	3D	5N	R289	6D	3N	R482	4E	6N	U590B	4C	5N
CR490	4E	5N	R292	8D	3N	R483	5B	5M	U590C	8C	5N
CR491	3C	5N	R293	8E	3N	R484	1D	6M	U590D	5D	5N
CR590	1E	5N	R295	7K	3N	R485	2D	6M			
CR591	5E	4O	R296	7L	3N	R489	3H	6M	VR390	6D	4N
			R297	7J	3N	R490	4D	5N	VR391	5D	4N
			R298	6J	3N	R491	4E	6N	VR492	2D	6N
			R299	6J	3N	R492	2J	5N	VR493	1D	6N
J111	2M	1E				R493	4J	6N			
L480	4E	6N	R386	6E	3N	R493	4J	6N			
<b>CHASSIS PARTS (NOT MOUNTED ON ANY CIRCUIT BOARD)</b>											
P111	2M	CHASSIS									

<sup>1</sup>A partial schematic of the A10 Main Board is also shown in fig. FO-12, FO-13, FO-17, FO-18, FO-19, FO-21, FO-22, and FO-28. Component locations are shown in fig. FO-11.

**NOTE**  
This circuit contains static-sensitive devices. See page C at the front of this manual for information on handling static-sensitive devices.

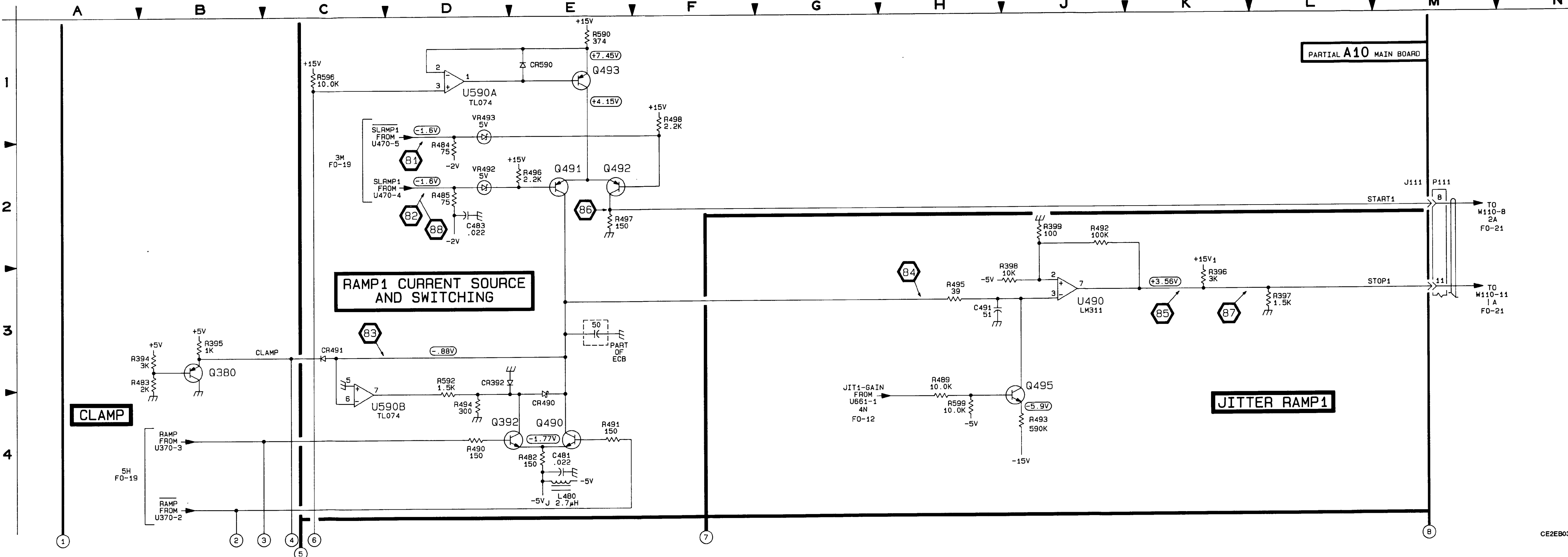


Figure FO-20. Jitter Correction Ramps Schematic (Sheet 1 of 2). FP-73/(FP-74 blank)

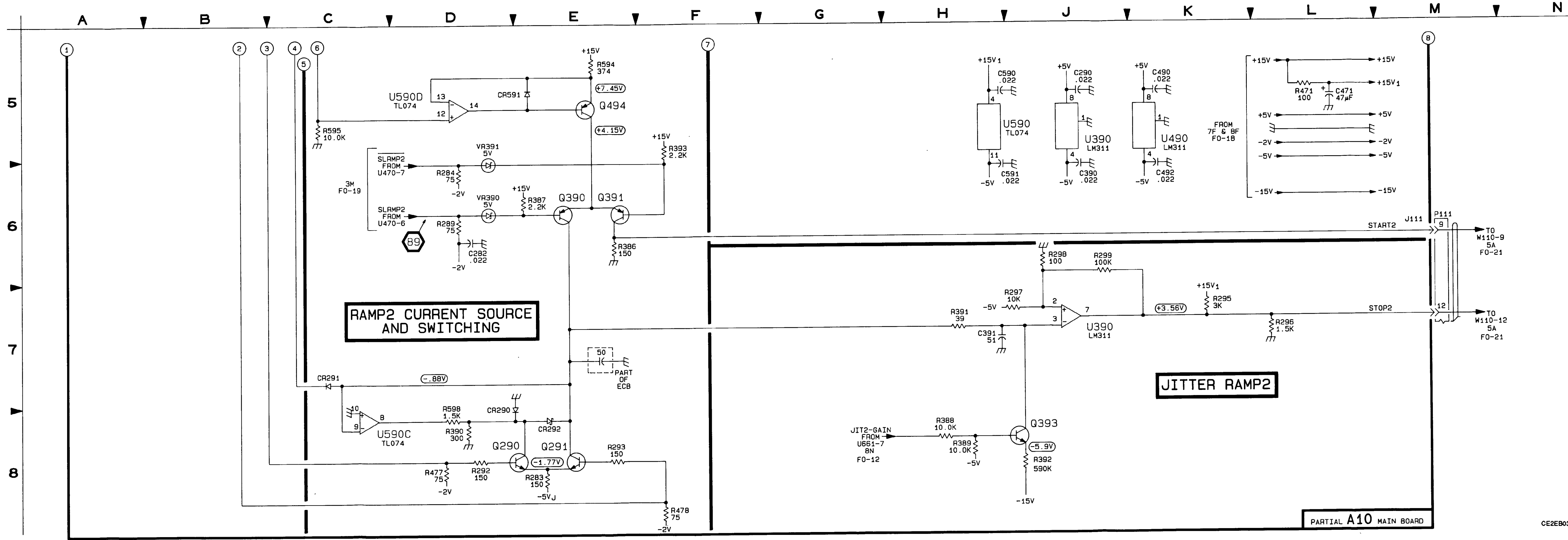
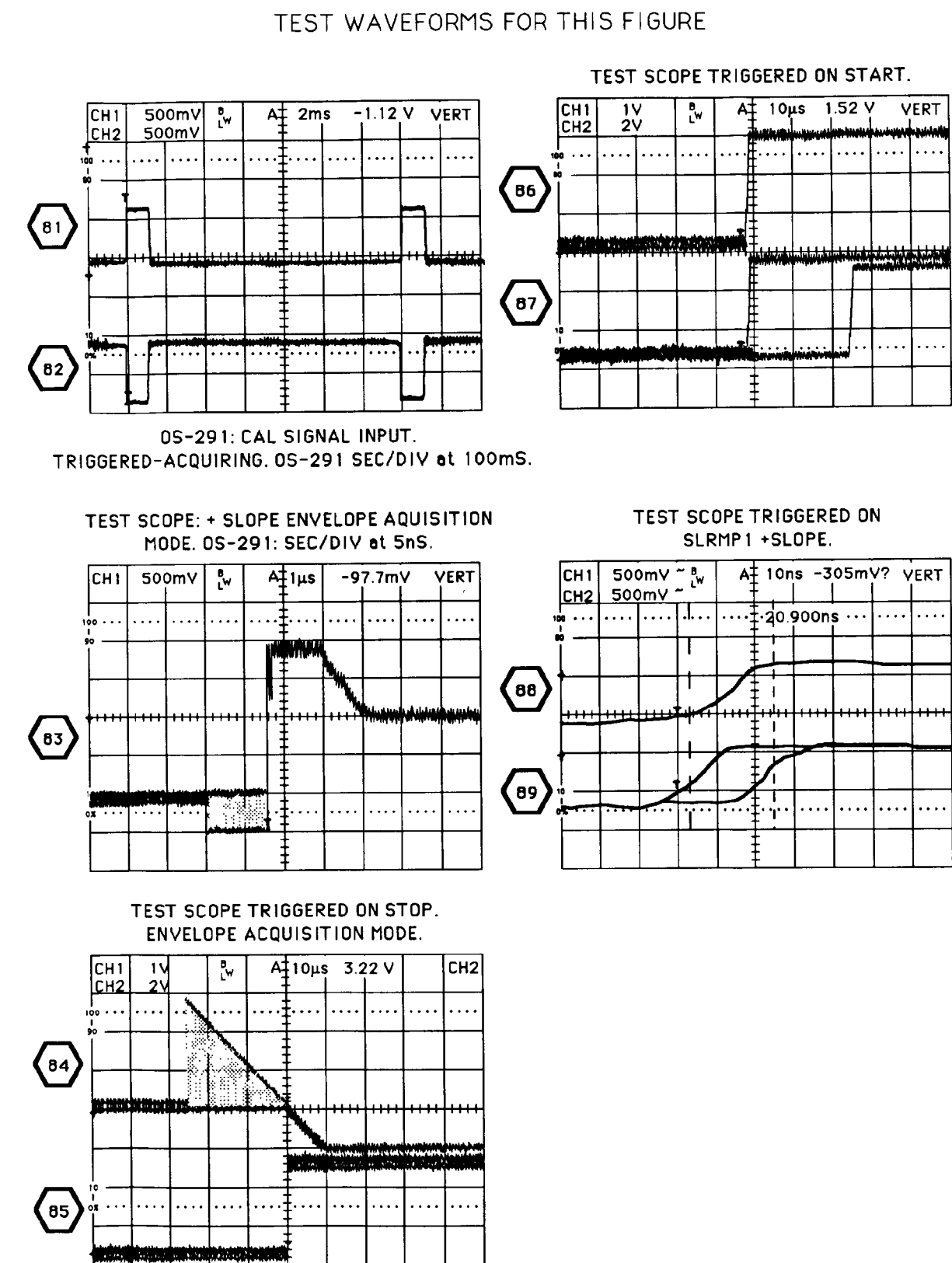


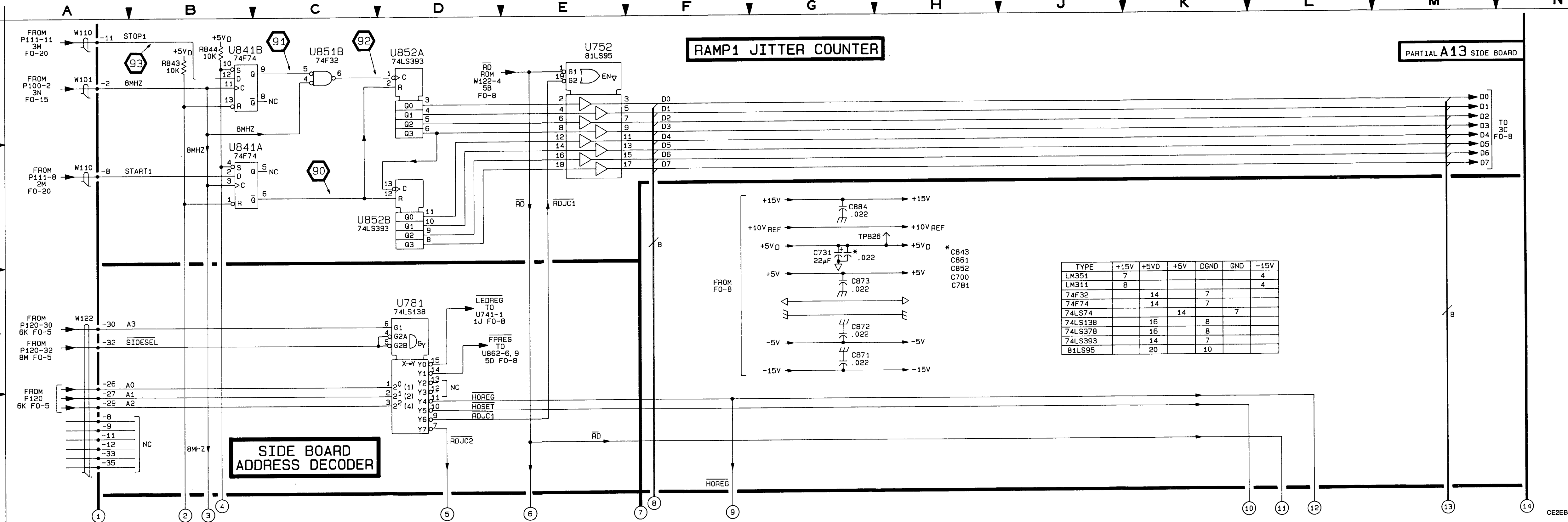
Figure FO-20. Jitter Correction Ramps Schematic (Sheet 2 of 2). FP-75/(FP-76 blank)

**Location of the Components Shown in this Figure and in Figures FO-7 and FO-11.**

CIRCUIT NUMBER	SCHEM LOCATION	BOARD LOCATION	CIRCUIT NUMBER	SCHEM LOCATION	BOARD LOCATION	CIRCUIT NUMBER	SCHEM LOCATION	BOARD LOCATION	CIRCUIT NUMBER	SCHEM LOCATION	BOARD LOCATION
<b>A10 MAIN BOARD<sup>1</sup></b>											
C102	7E	2A	J111	7E	1E	J2006	7F	2A	R102	7E	2A
<b>A13 SIDE BOARD<sup>2</sup></b>											
C700	3H	1A	Q771	6H	2K	R844	1B	3G	U841B	1B	3G
C731	2G	1E	Q772	6H	2L	R844	7L	3G	U842A	5B	3G
C781	3H	1M	Q773	7J	2L	R851	5L	2J	U842B	4B	3G
C831	7B	2E	Q781	7K	2M	R863	6J	2K	U851A	4C	3G
C832	7C	2F	Q782	7H	2M	R871	7K	2L	U851B	1C	3G
C833	7D	2F	Q783	7G	2M	R881	8L	2M	U851C	4K	3G
C841	6C	2F	Q831	2E	2E	R882	7K	3M	U852A	1D	3H
C842	9C	3F				R893	7L	3M	U852B	2D	3H
C843	2H	2G	R731	7A	2E	R884	7M	3M	U855A	4D	3H
C852	2H	2H	R732	7A	2E	R885	8B	3M	U855B	6C	3H
C861	2H	2J	R741	7B	2F	R886	7G	2M	U871	7K	2K
C884	7J	2K	R761	5H	1K	R887	6J	2M	U872A	7L	3L
C871	3G	3K	R762	6J	2K	R888	8J	2M	U872B	7M	3L
C871	3H	3K	R771	5G	1K	R889	8K	2M	U881	8K	3M
C872	3G	2L	R772	6H	2K						
C873	3G	3L	R773	7G	2K	TP826	2G	2E	VR841	6C	3F
C881	7H	2M	R774	5H	1L	TP871	5L	2J			
C882	7H	2M	R775	6H	2L				W101	1A	1D
C883	8B	3M	R780	6J	1L	U731	7B	2F	W110	1A	3D
C884	2G	3M	R781	6J	2M	U752	1E	2H	W110	2A	3D
C885	7G	2L	R782	6J	2M	U753	4E	2H	W110	4A	3D
CR761	6J	2K	R783	7G	1M	U761	4L	1J	W110	5J	3D
CR772	8G	2K	R833	7C	3E	U762	4G	1J	W110	6J	3D
CR773	8H	2L	R834	7C	3E	U761	3D	1M	W110	7D	3D
			R835	7D	3E	U831A	7C	3F	W110	7N	3D
			R841	7D	3E	U831B	8C	3F	W122	3A	1K
J156	5L	2J	R842	8C	3F	U831D	8C	3F	W122	1K	1K
Q761	6J	2J	R843	1B	2G	U841A	2B	3G			
<b>CHASSIS PARTS (NOT MOUNTED ON ANY CIRCUIT BOARD)</b>											
P111	7E	CHASSIS									

<sup>1</sup>A partial schematic of the A10 Main Board is also shown in fig. FO-12, FO-13, FO-17, FO-18, FO-19, FO-20, FO-22, and FO-28. Component locations are shown in fig. FO-11.  
<sup>2</sup>A partial schematic of the A13 Side Board is also shown in fig. FO-8. Component locations are shown in fig. FO-7.

**NOTE**  
 This circuit contains static-sensitive devices. See page C at the front of this manual for information on handling static-sensitive devices.



TYPE	+15V	+5VD	+5V	DGND	GND	-15V
LM351	7					4
LM311	8					4
74F32		14		7		
74F74		14		7		
74LS74			14		7	
74LS138		16		8		
74LS378		16		8		
74LS393		14		7		
81LS95		20		10		

Figure FO-21. Trigger Holdoff, Jitter Counters and Calibrator Schematic (Sheet 1 of 2). FP-77/(FP-78 blank)

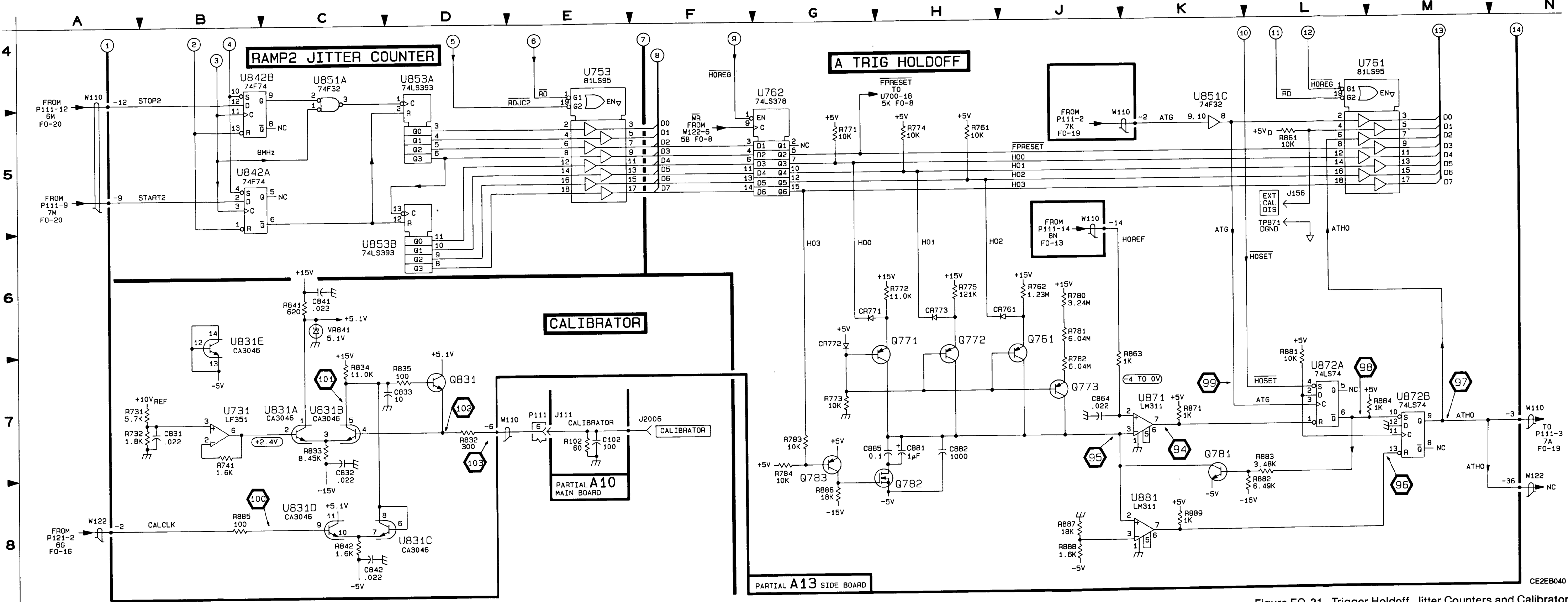
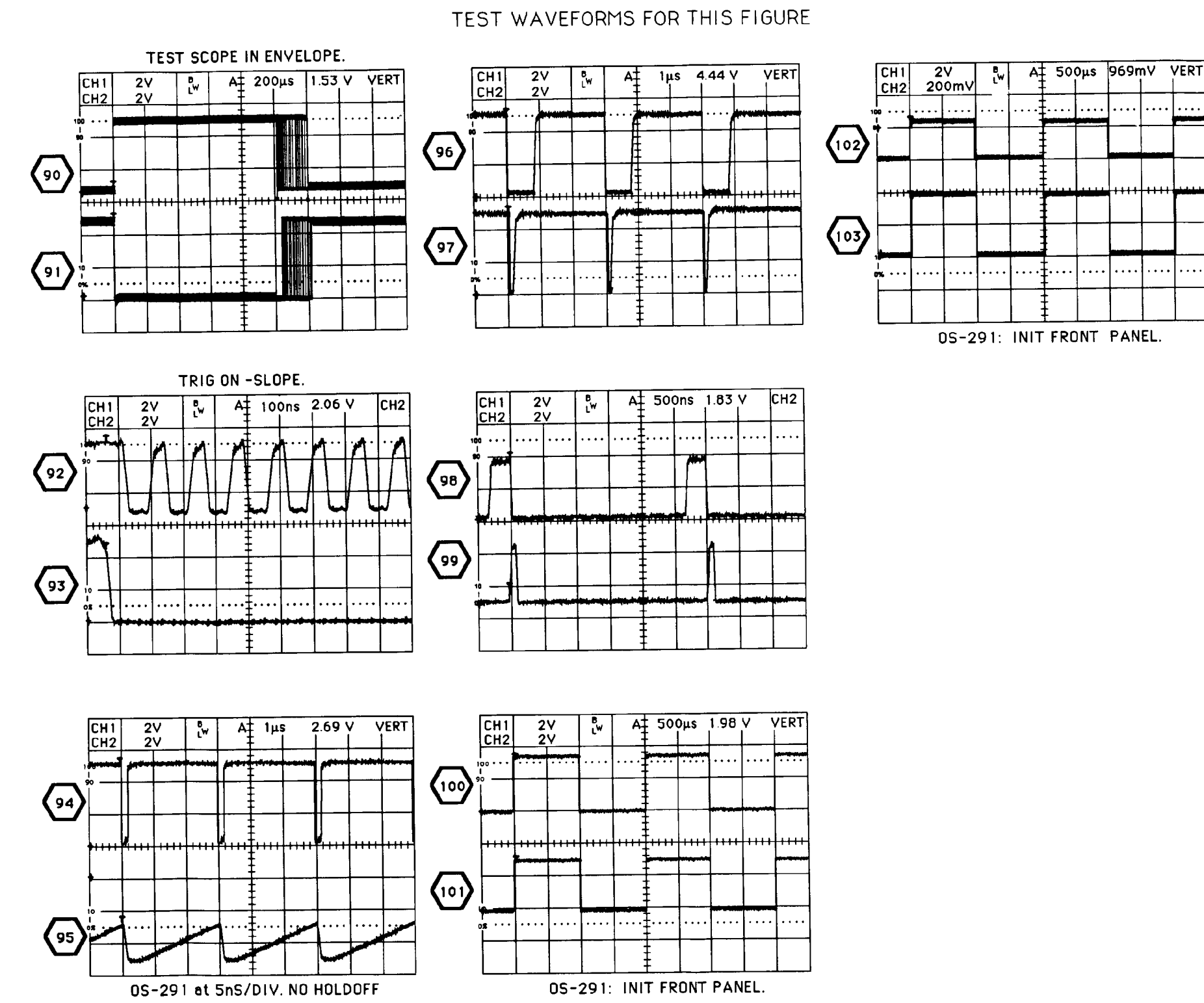


Figure FO-21. Trigger Holdoff, Jitter Counters and Calibrator Schematic (Sheet 2 of 2). FP-79/(FP-80 blank)

Location of the Components Shown in this Figure and in Figure FO-11.

CIRCUIT NUMBER	SCHEM LOCATION	BOARD LOCATION	CIRCUIT NUMBER	SCHEM LOCATION	BOARD LOCATION	CIRCUIT NUMBER	SCHEM LOCATION	BOARD LOCATION	CIRCUIT NUMBER	SCHEM LOCATION	BOARD LOCATION
<b>A10 MAIN BOARD<sup>1</sup></b>											
C561	1K	7K	Q771	1M	8L	R767	1B	8K	R881	7E	9M
C563	8K	8K	Q772	2M	8L	R768	1C	8K	R882	7M	9M
C562	4M	7M	Q780	6L	7N	R769	3C	7L	R883	7K	8N
C563	3K	7K	Q781	6M	8N	R770	1C	6K	R884	8K	8N
C564	6K	7K	Q782	7M	8N	R771	1E	8K	R885	8K	8N
C585	5J	7M	Q870	3L	9L	R772	3H	9L	R886A	8C	9M
C586	5J	7M	Q871	4M	9M	R773	3D	9L	R886B	8C	9M
C762	4C	8J	Q872	3M	8L	R774	1M	8L	R886C	7C	9M
C763	4D	8J	Q880	8L	8N	R775	1K	8L	R886D	8C	9M
C765	5C	8K	Q881	8M	8N	R776	6C	8L	R887	2K	9N
C766	4D	8K	Q882	7M	8N	R777	5G	8M	R888	2K	9N
C768	5C	8K				R778	3K	8L	R889	7K	8N
C770	1E	8L	R550	4D	7G	R779	3L	8M	R890	7K	8N
C771	1E	8L	R564	2J	7J	R780	6C	8M	R891	7F	9M
C774	1F	8L	R667	2H	8K	R781	6E	8M			
C780	5E	8M	R668	2H	8K	R782	6M	8N	U560A	1J	7K
C781	6E	8M	R669	2H	8K	R783	3K	8L	U560B	3J	7K
C784	6F	8M	R670	4E	7M	R784	7H	9M	U560C	6J	7K
C790	5F	7M	R671	6J	7L	R785	8G	9N	U560D	8J	7K
C820	4D	10F	R672	7H	8K	R786	8K	8N	U770A	1F	8L
C851	4D	8H	R673	7H	8K	R788	1F	8L	U770B	1A	8L
C870	2E	8L	R674	7H	8K	R789	5F	8N	U775A	1A	9K
C872	2E	8L	R675	1H	8K	R790	4F	9N	U775B	2C	9K
C880	7F	9M	R676	1G	8K	R861	5H	9K	U775C	3C	9K
C882	7F	9M	R677	2K	8M	R862	3C	9K	U775D	2C	9K
CR771	1L	8L	R678	2L	8M	R863	2G	9K	U780A	6F	8M
CR780	6L	8N	R680	2K	8M	R870	3C	9K	U785A	5C	9M
CR870	3L	9L	R681	8H	8M	R871	3E	9K	U785B	7C	9M
CR880	7K	9N	R682	5G	8M	R872	2M	9L	U785C	8C	9M
J107	5M	7L	R684	8K	7N	R873	3K	9L	U785D	7C	9M
J111	4A	1E	R685	6K	7N	R875	7G	9L	U861A	4D	5J
J141	2G	1M	R686	8K	7N	R876A	1C	8K	U861C	5H	5J
J141	3G	1M	R687	4M	7L	R876B	2C	8K	U861D	4E	5J
J141	6C	1M	R688	6C	8L	R876C	3C	8K	U870A	3E	9L
J141	8G	1M	R689	4C	8J	R876D	3C	8K	U870B	3L	9L
O660	2J	7K	R763	5C	8J	R877	6C	8L	U880A	7E	9M
O670	7J	7K	R764	5C	8J	R878	7C	9L	U880B	7K	9M
O770	2L	8L	R766	1G	8K	R880	2F	9M	U880C	2K	8N
O770	2L	8L	R766	1G	8K	R880	2F	9M	U880B	7K	9M
<b>CHASSIS PARTS (NOT MOUNTED ON ANY CIRCUIT BOARD)</b>											
P107	4M	CHASSIS	P141	2G	CHASSIS	P141	6G	CHASSIS			
P111	4A	CHASSIS	P141	3G	CHASSIS	P141	6G	CHASSIS			

<sup>1</sup>A partial schematic of the A10 Main Board is also shown in fig. FO-12, FO-13, FO-17, FO-18, FO-19, FO-20, FO-21, and FO-28. Component locations are shown in fig. FO-11.

**NOTE**

This circuit contains static-sensitive devices. See page C at the front of this manual for information on handling static-sensitive devices.

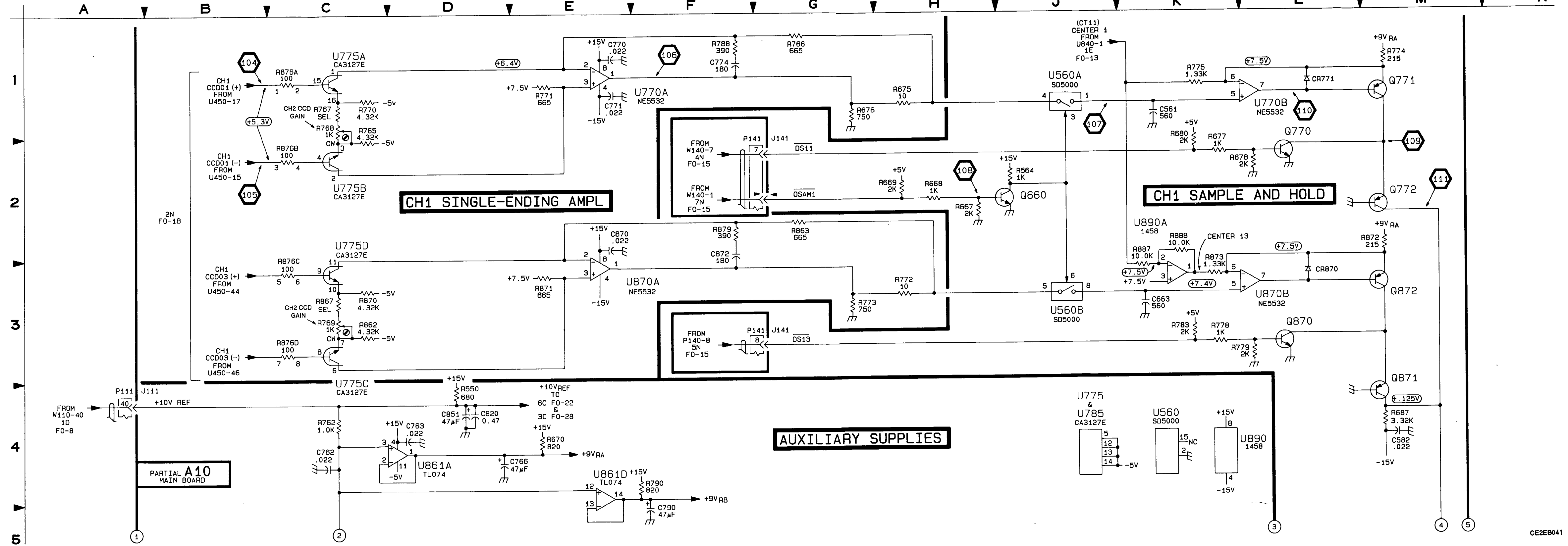


Figure FO-22. CCD Output Schematic (Sheet 1 of 2). FP-81/(FP-82 blank)



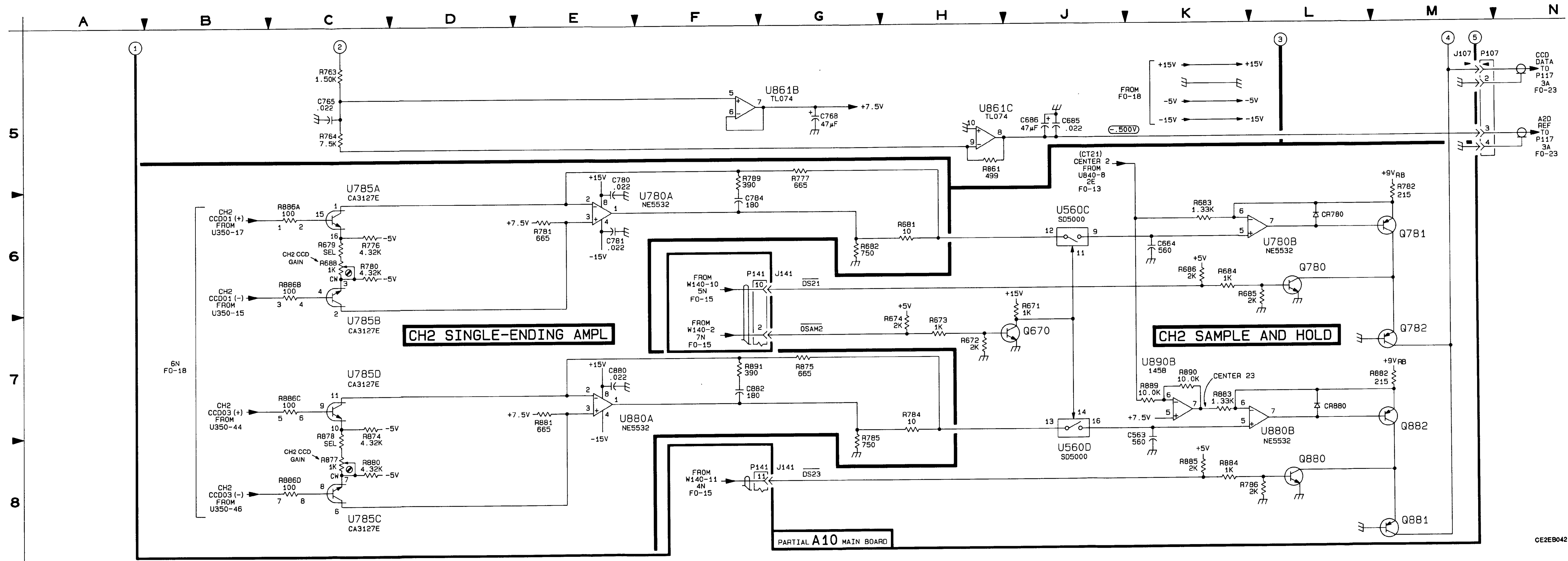
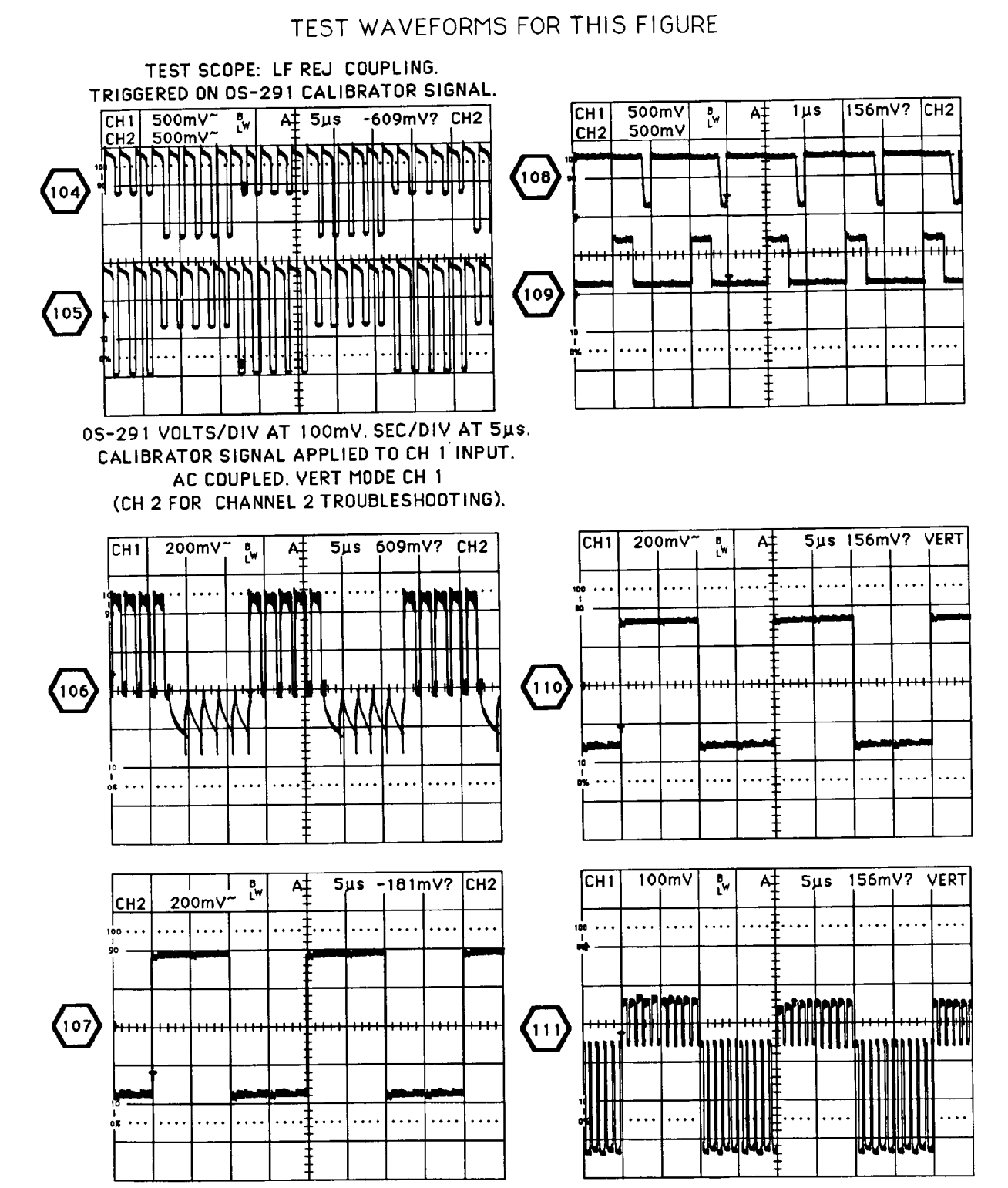


Figure FO-22. CCD Output Schematic (Sheet 2 of 2).  
FP-83/(FP-84 blank)



Location of the Components Shown in this Figure and in Figure FO-14.

CIRCUIT NUMBER	SCHEM LOCATION	BOARD LOCATION	CIRCUIT NUMBER	SCHEM LOCATION	BOARD LOCATION	CIRCUIT NUMBER	SCHEM LOCATION	BOARD LOCATION	CIRCUIT NUMBER	SCHEM LOCATION	BOARD LOCATION
<b>A11 TIME BASE/DISPLAY BOARD<sup>1</sup></b>											
C213	6C	3D	C513	6C	5D	C711	6C	7C	R881	3B	8M
C223	6C	2F	C520	6C	5E	C712	6C	7D	R884	3B	7M
C231	6C	2H	C521	6C	5E	C720	6C	7E	R890	4A	8M
C240	6C	2J	C522	6C	5F	C730	6C	7G	R891	4B	7M
C243	6C	2K	C523	6C	5F	C731	6C	7G			
C261	5C	1G	C531	6C	5G	C732	6C	7H	TP400	7B	5G
C270	5C	2L	C532	6C	5H	C740	6C	7H	TP530	7B	5G
C290	5B	2M	C540	6C	5H	C770	4C	7L	TP601	7C	7A
C291	7B	4L	C541	6C	5J	C772	4C	7M			
C292	7B	3M	C550	5B	6M	C774	3C	7M	U510A	4J	6C
C312	6C	4D	C551	6C	5K	C778	2C	7M	U510B	3J	6C
C313	6C	4D	C555	2C	7M	C820	6C	9F	U511A	7J	6C
C323	6C	3F	C560	6C	6L	C832	6C	9H	U511B	5J	6C
C324	6C	4H	C570	2C	7M	C890	3B	8M	U512A	3G	6D
C331	6C	3H	C601	6C	6B	C891	4A	8M	U512B	4G	6D
C340	6C	3J	C610	6C	6C	C892	4B	7M	U520A	5K	6D
C341	6C	3J	C611	6C	6C				U520B	3K	6D
C342	6C	3K	C612	6C	6D	J117	3A	9M	U521A	7K	6E
C350	6C	3K	C613	6C	6D				U521B	6K	6E
C362	8B	4M	C620	6C	6E	L822	5B	6L	U560	2C	7L
C363	6C	4B	C621	6C	6E	L824	8B	6L	U630	7M	7G
C401	6C	4C	C622	6C	6F	L770	2B	7M	U631	4M	7G
C402	6C	5B	C623	6C	6F	L780	3B	7M	U632	5M	7G
C414	6C	4D	C630	6C	6G				U640	3M	7H
C415	6C	4D	C631	6C	6H	R421H	3H	4E	U650C	2H	7J
C418	6C	4E	C632	6C	6H	R421I	3K	4E	U732	2H	7J
C420	6C	4F	C640	6C	6H	R555	2C	6L	U740	2D	8H
C422	6C	5F	C642	6C	6J	R581	3B	8M	U760	3B	8M
C450	6C	4K	C643	6C	7J	R590D	2H	6K	U780	3B	8M
C460	4B	8M	C680	6C	7J	R650G	2D	6K	U880	2B	7M
C490	5C	5M	C691	6B	6M	R690	3B	8L			
C500	6C	5A	C692	5B	6M	R780	4B	8M			
C510	6C	5C	C694	5B	6M	R781	2B	7M			
C511	6C	5C	C703	6C	7B	R890	3B	8M			
<b>CHASSIS PARTS (NOT MOUNTED ON ANY CIRCUIT BOARD)</b>											
P117	3A	CHASSIS									

<sup>1</sup>A partial schematic of the A11 Time Base/Display Board is also shown in fig. FO-15, FO-16, FO-24, FO-25, and FO-26. Component locations are shown in fig. FO-14.

**NOTE**

This circuit contains static-sensitive devices. See page C at the front of this manual for information on handling static-sensitive devices.

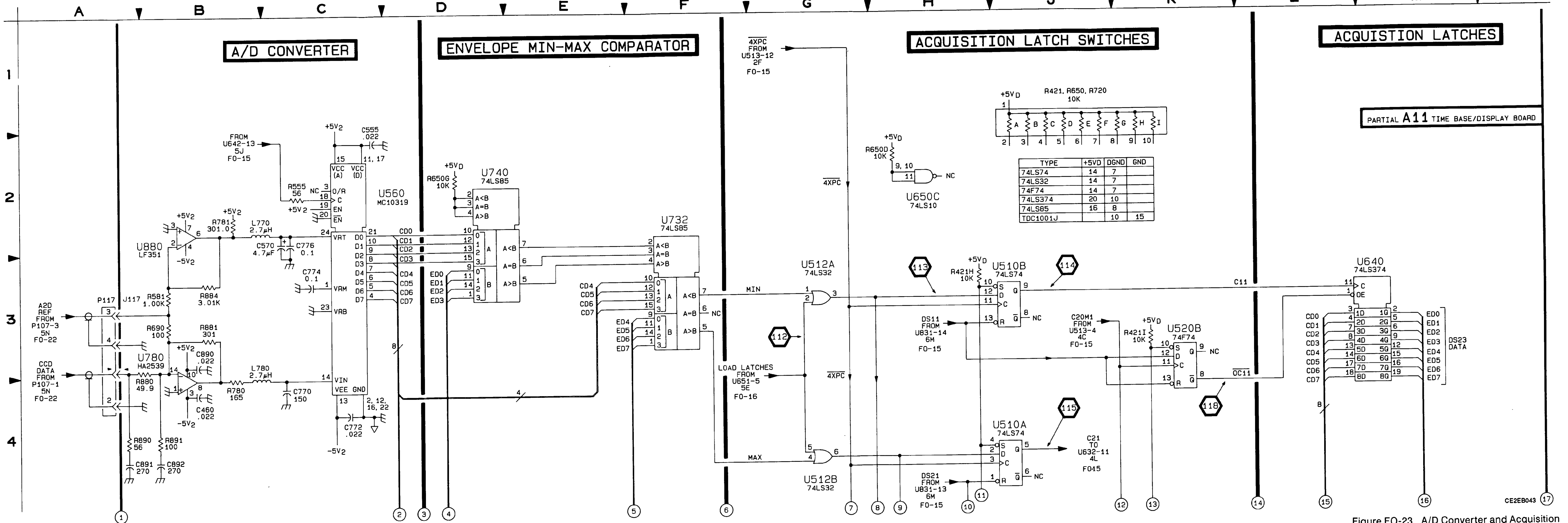
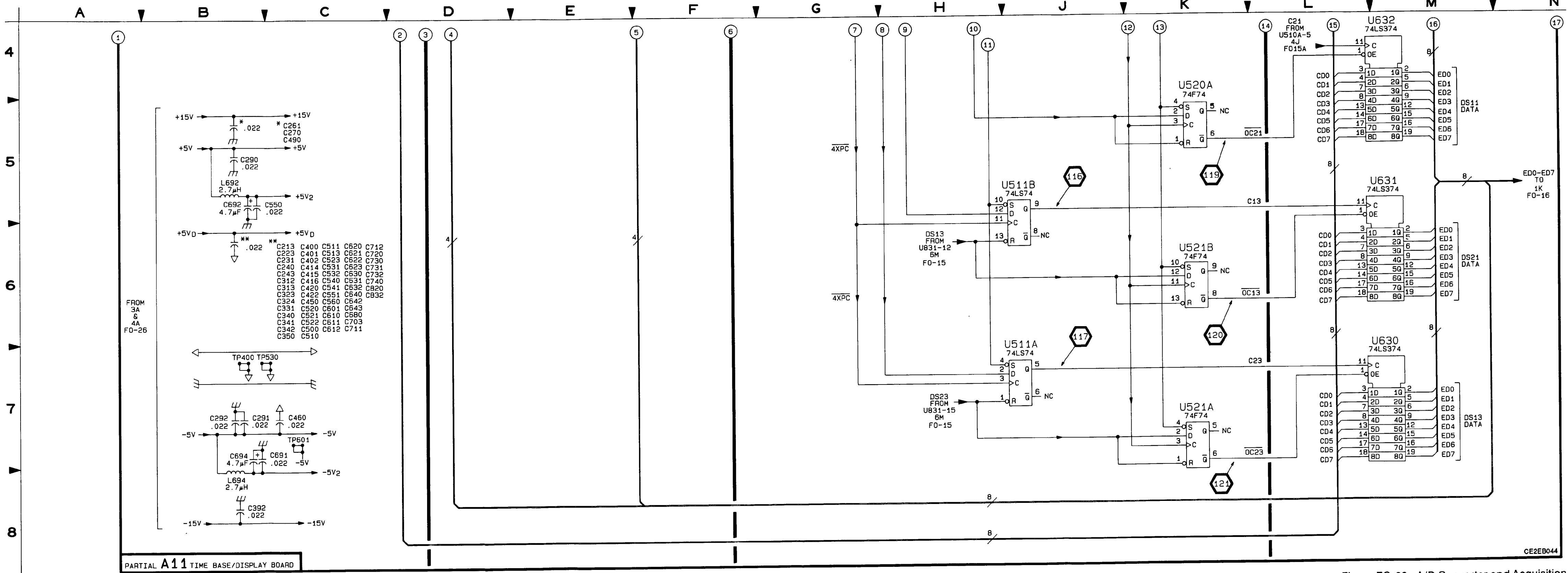
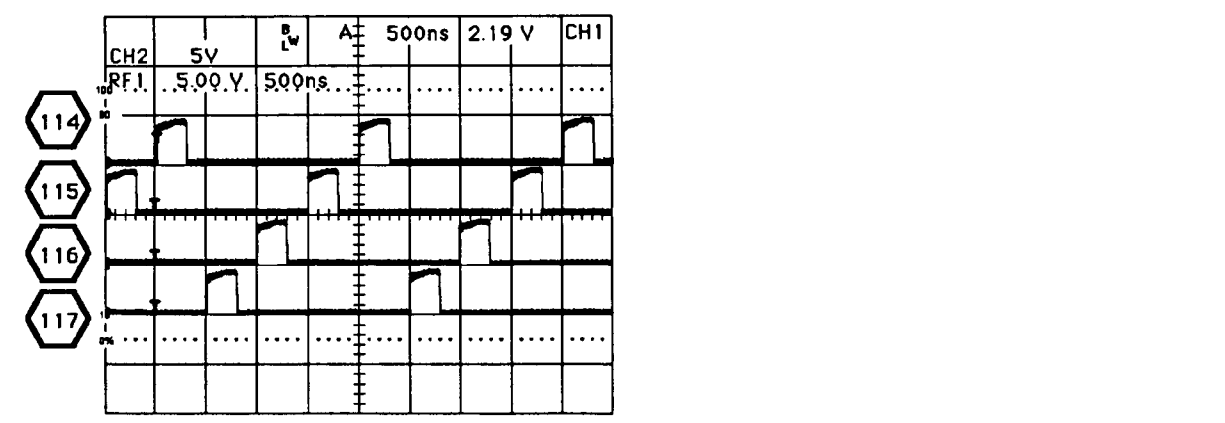
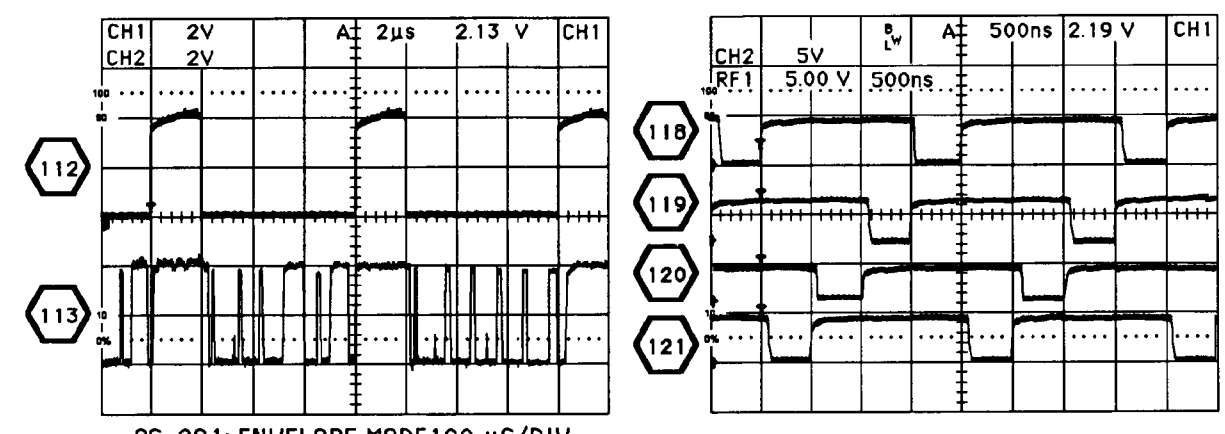


Figure FO-23. A/D Converter and Acquisition Latches Schematic (Sheet 1 of 2). FP-85/(FP-86 blank)

TEST WAVEFORMS FOR THIS FIGURE



PARTIAL A11 TIME BASE/DISPLAY BOARD

Figure FO-23. A/D Converter and Acquisition Latches Schematic (Sheet 2 of 2). FP-87/(FP-88 blank)

Location of the Components Shown in this Figure and in Figure FO-14.

CIRCUIT NUMBER	SCHEM LOCATION	BOARD LOCATION	CIRCUIT NUMBER	SCHEM LOCATION	BOARD LOCATION	CIRCUIT NUMBER	SCHEM LOCATION	BOARD LOCATION	CIRCUIT NUMBER	SCHEM LOCATION	BOARD LOCATION
<b>A11 TIME BASE/DISPLAY BOARD<sup>1</sup></b>											
C150	1M	1K	U140	7J	2J	U323D	4B	3F	U430	7E	4G
C250	5M	2K	U141	3M	2J	U350A	2L	3K	U431	2E	4H
J131	1A	2E	U142	1M	1K	U350D	6L	3K	U440	5E	4J
J131	7A	2E	U240	7K	3J	U415B	4B	4E	U441	4J	4J
			U241	2J	3J	U421A	2C	4F	U450C	8H	4K
			U243	4M	3K	U421B	2C	4F			
R151	1M	1K	U250	5M	2K	U421C	5C	4F	W140	8M	8K
R152	1M	1K	U314	4E	3E	U421D	4C	4F			
R155	5M	2K	U320	3G	3E	U422A	7B	4F			
R156	5M	2K	U321	5G	3F	U422B	7C	4F			
R450	8K	5K	U322	2E	3F	U422C	7C	4F			
U130	7G	1H	U323B	2B	3F	U422D	6C	4F			
			U323C	5B	3F	U423A	6E	5F			
<b>CHASSIS PARTS (NOT MOUNTED ON ANY CIRCUIT BOARD)</b>											
P131	1A	CHASSIS	P131	7A	CHASSIS						

<sup>1</sup>A partial schematic of the A11 Time Base/Display Board is also shown in fig. FO-15, FO-16, FO-23, FO-25, and FO-26. Component locations are shown in fig. FO-14.

**NOTE**

This circuit contains static-sensitive devices. See page C at the front of this manual for information on handling static-sensitive devices.

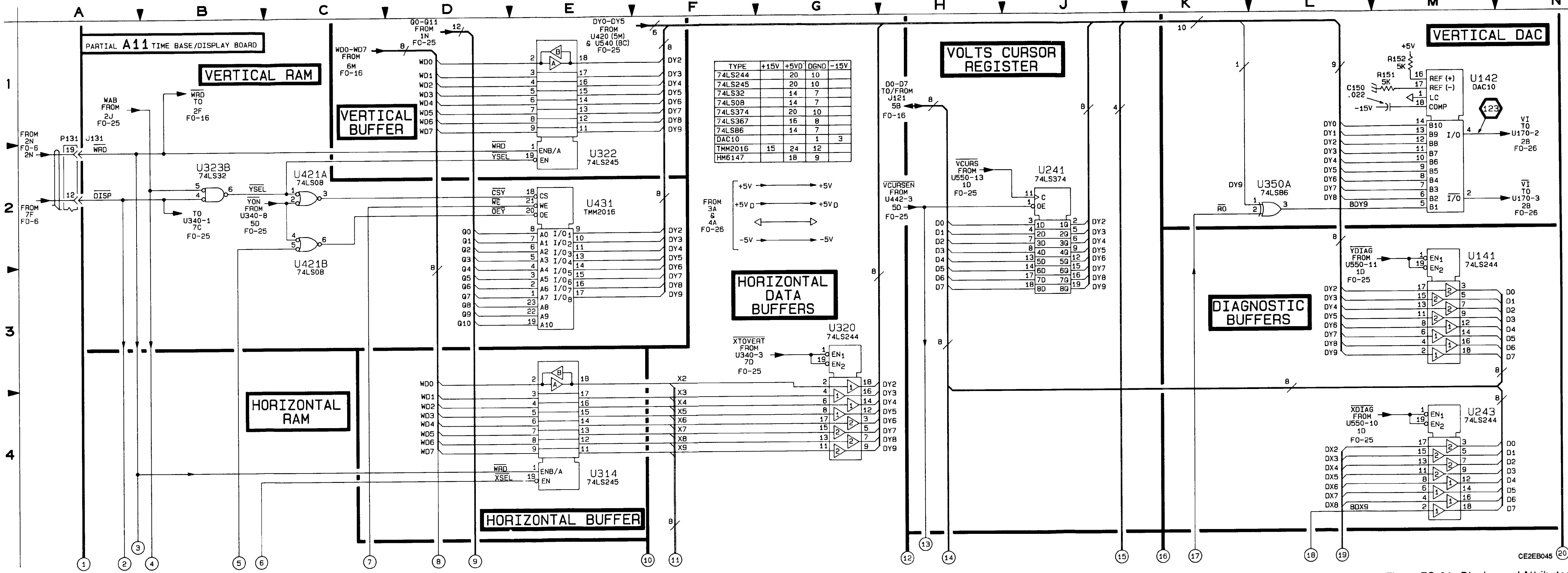


Figure FO-24. Display and Attributes Memory Schematic (Sheet 1 of 2). FP-89/(FP-90 blank)

TEST WAVEFORMS FOR THIS FIGURE

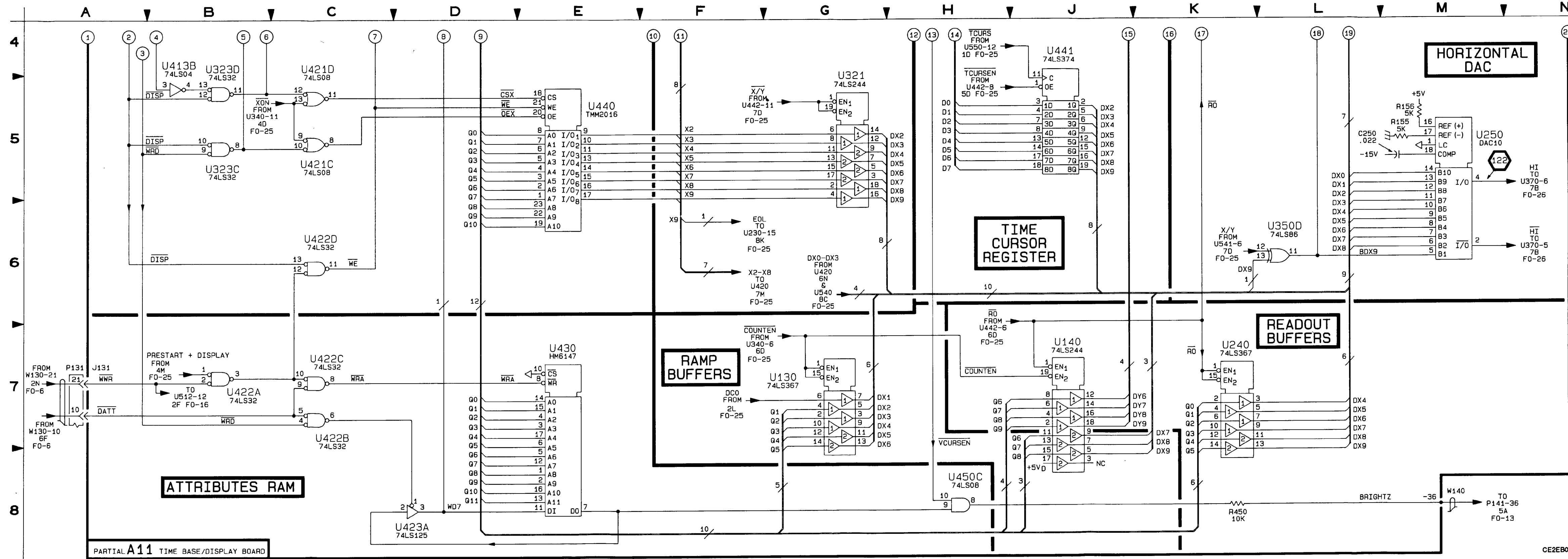
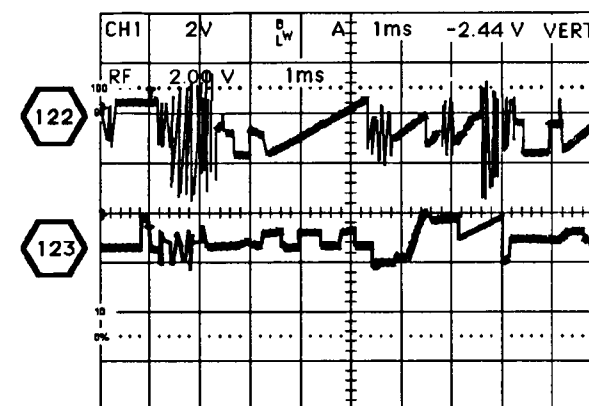


Figure FO-24. Display and Attributes Memory Schematic (Sheet 2 of 2). FP-91/(FP-92 blank)

Location of the Components Shown in this Figure and in Figure FO-14.

CIRCUIT NUMBER	SCHEM LOCATION	BOARD LOCATION	CIRCUIT NUMBER	SCHEM LOCATION	BOARD LOCATION	CIRCUIT NUMBER	SCHEM LOCATION	BOARD LOCATION	CIRCUIT NUMBER	SCHEM LOCATION	BOARD LOCATION
<b>A11 TIME BASE/DISPLAY BOARD<sup>1</sup></b>											
J100	4A	9D	U221	1M	2F	U410B	2G	4C	U442B	6D	4K
J121	1A	9K	U222	1K	2F	U411A	1H	4D	U442C	5D	4K
J131	4K	2E	U223A	7K	2F	U411C	3J	4D	U442D	7D	4K
			U223B	8L	2F	U412A	3E	4D	U450A	7G	4K
R132	6K	1H	U223C	5G	2F	U412C	3J	4D	U450B	5F	4K
R233	5G	2F	U230	7K	2G	U412D	3J	4D	U450C	2C	5G
R230	8L	2H	U231	6H	3H	U419A	3G	4E	U450D	1B	4K
R232	7J	2H	U232	7J	3H	U413C	2E	4E	U530	2C	5G
R312	2F	3C	U312B	3F	3D	U413D	4F	4E	U532	8B	5H
R330	6H	3H	U312C	5F	3D	U413F	8L	4E	U541	5B	5J
R421C	3G	4E	U313	4H	3D	U413F	8L	4E	U541	5B	5J
R421F	4E	4E	U323A	4K	3F	U414A	4J	5C	U542	6C	6J
R732	8L	5G	U340C	5D	3K	U414B	3F	5C	U542	1C	5K
U210	3M	2D	U340D	4D	3K	U415A	3G	5D	W140	2A	8K
U211	3L	2D	U340E	5D	3K	U415B	6F	5D	W140	3A	8K
U212	2M	2E	U340F	7D	3K	U415C	6M	5E	W140	5G	8K
U220	2K	2E	U410A	1F	4C	U422A	5D	4K	W140	8N	8K
<b>CHASSIS PARTS (NOT MOUNTED ON ANY CIRCUIT BOARD)</b>											
P100	4A	CHASSIS	P121	1A	CHASSIS	P131	1J	CHASSIS	P131	4K	CHASSIS

<sup>1</sup>A partial schematic of the A11 Time Base/Display Board is also shown in fig. FO-15, FO-16, FO-23, FO-24, and FO-26. Component locations are shown in fig. FO-14.

**NOTE**

This circuit contains static-sensitive devices. See page C at the front of this manual for information on handling static-sensitive devices.

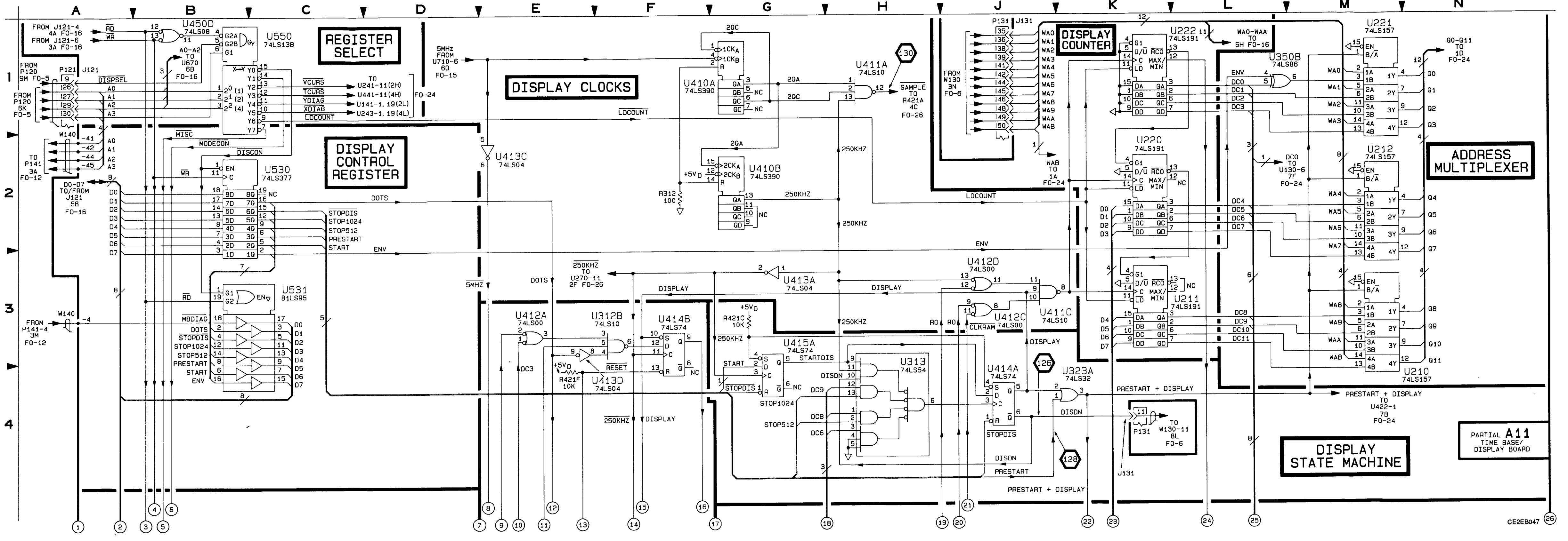


Figure FO-25. Display Control Schematic (Sheet 1 of 2).  
FP-93/(FP-94 blank)

TEST WAVEFORMS FOR THIS FIGURE

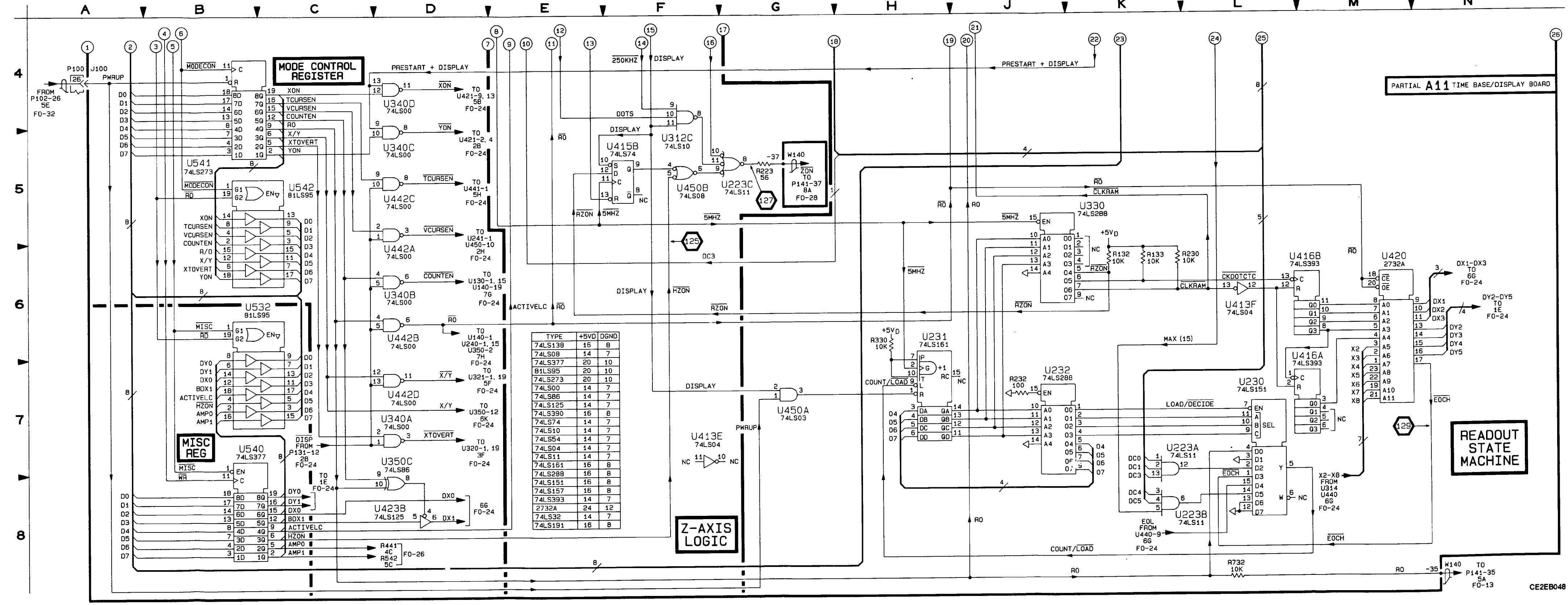
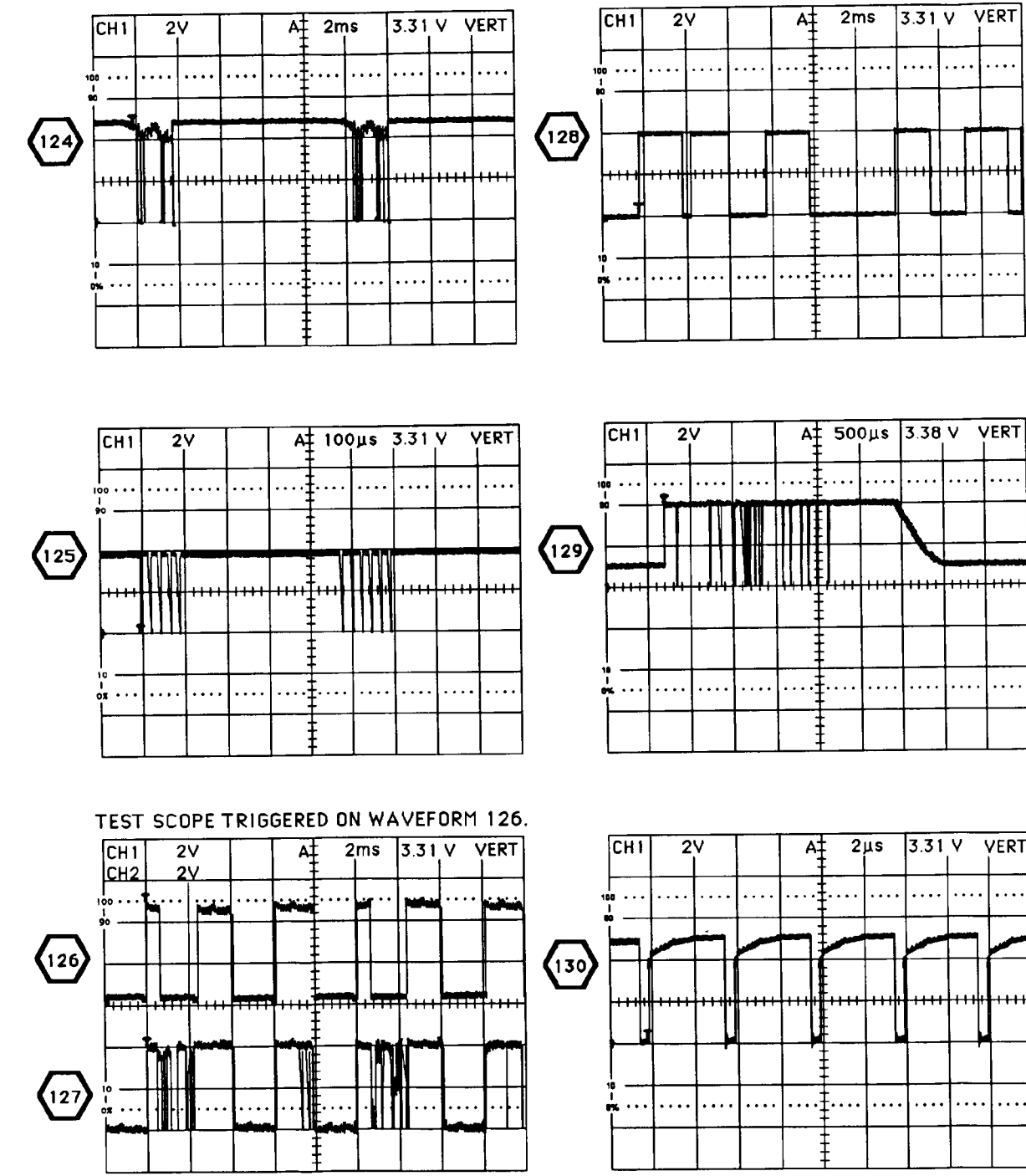


Figure FO-25. Display Control Schematic (Sheet 2 of 2).  
FP-95/(FP-96 blank)



Location of the Components Shown in this Figure and in Figure FO-14.

CIRCUIT NUMBER	SCHEM LOCATION	BOARD LOCATION	CIRCUIT NUMBER	SCHEM LOCATION	BOARD LOCATION	CIRCUIT NUMBER	SCHEM LOCATION	BOARD LOCATION	CIRCUIT NUMBER	SCHEM LOCATION	BOARD LOCATION
<b>A11 TIME BASE/DISPLAY BOARD*</b>											
C130	4B	1H	J131	6A	2E	R364	7D	3L	R607	3G	6E
C131	5B	1G	J131	6M	2E	R366	7C	4L	R620	2G	1M
C152	3C	1L	J148	2M	5M	R376	6G	3M	TP130	5B	2H
C154	3M	1K	J148	4M	4M	R380	7D	4M	TP200	5B	2C
C166	2J	2M	J148	7M	5M	R381	7D	4M	TP250	5B	2K
C180	2H	2M	L800	4A	6A	R383	6D	5L	TP341	5B	3J
C181	2D	2L	L801	4A	6B	R384	7C	5L	TP400	5B	5N
C260	2F	2M	L803	3A	8B	R421A	8J	4M	TP600	4B	7A
C284	7F	3L	O181	2D	2L	R441	4D	4J	TP602	3B	7A
C281	3C	3L	O182	2D	2L	R470	2K	4L	TP680	5B	5K
C282	7D	4M	O285	7D	4M	R471	2K	5L	TP700	4B	7A
C284	6D	4M	O286	8D	4M	R472	2L	4L	TP710	5B	7D
C390	7H	3M	Q286	8D	4M	R473	3K	5L	TP840	5B	6J
C595	7K	5L	R140	6C	3M	R474	2L	5L	U170	2C	1L
C700	4B	6A	R141	1G	2M	R475	2M	4L	U170A	2G	2L
C702	4B	7B	R145	2D	2L	R481	7J	4M	U270B	2E	2L
C900	3G	5F	R153	3M	1K	R482	7K	5L	U270C	6E	2L
C901	5K	4L	R160	1D	2L	R483	7K	5L	U280	2G	1M
C903	5K	5L	R161	2C	1L	R484	7L	5M	U281	2C	1L
C907	4L	5L	R182	2G	1M	R485	7L	5M	U282	2H	2M
C912	3J	2M	R183	2B	1L	R490	2K	4L	U290A	2J	3M
C915	2F	2M	R184	3C	3M	R492	4J	4L	U290B	6J	3M
C920	2H	2M	R185	2J	3M	R493	4K	4L	U370	8H	3L
C925	2G	1M	R171	2J	3M	R494	3L	5L	U370A	9G	3L
C930	5M	2M	R172	2C	1L	R542	5D	4J	U370B	7C	3L
C932	5M	1M	R192	2G	2M	R570	5K	5L	U370C	7D	3L
C934	4M	1M	R193	2D	3L	R580	3K	5L	U382A	7K	4L
C935	4M	1L	R194	2D	2L	R583	4K	5K	U382B	7J	4L
CR190	2H	2M	R199	7J	2M	R585	3K	6L	U382C	8M	4L
CR191	2H	2M	R282	8M	1G	R586	7K	5M	U460A	4K	4L
CR193	2D	3L	R272	2F	1L	R587	7K	6L	U460B	2L	4L
CR194	2D	3L	R273	2F	1L	R591	7L	5M	U460C	2L	4L
CR280	7D	4M	R274	2G	1M	R592	7M	5M	U460D	2K	4L
CR281	7D	4M	R276	1G	2M	R593	2M	6M	W140	4J	8K
CR283	7H	3M	R280	3D	2L	R594	7M	5M	W509	2F	1M
CR284	7H	3M	R282	2J	3M	R595	7M	6M			
J100	3A	6D	R581	6C	3L	R601	2H	2M			
J121	2A	9K	R582	7B	3L	R603	2H	2M			
J131	3M	2E	R583	7C	3L	R605	2G	1M			
<b>CHASSIS PARTS (NOT MOUNTED ON ANY CIRCUIT BOARD)</b>											
P100	3A	CHASSIS	P131	3M	CHASSIS	P148	6M	CHASSIS	P148	4M	CHASSIS
P121	2A	CHASSIS	P131	5A	CHASSIS	P148	2M	CHASSIS	P148	9M	CHASSIS

\*A partial schematic of the A11 Time Base/Display Board is also shown in fig. FO-15, FO-16, FO-23, FO-24, and FO-25. Component locations are shown in fig. FO-14.

**NOTE**  
This circuit contains static-sensitive devices. See page C at the front of this manual for information on handling static-sensitive devices.

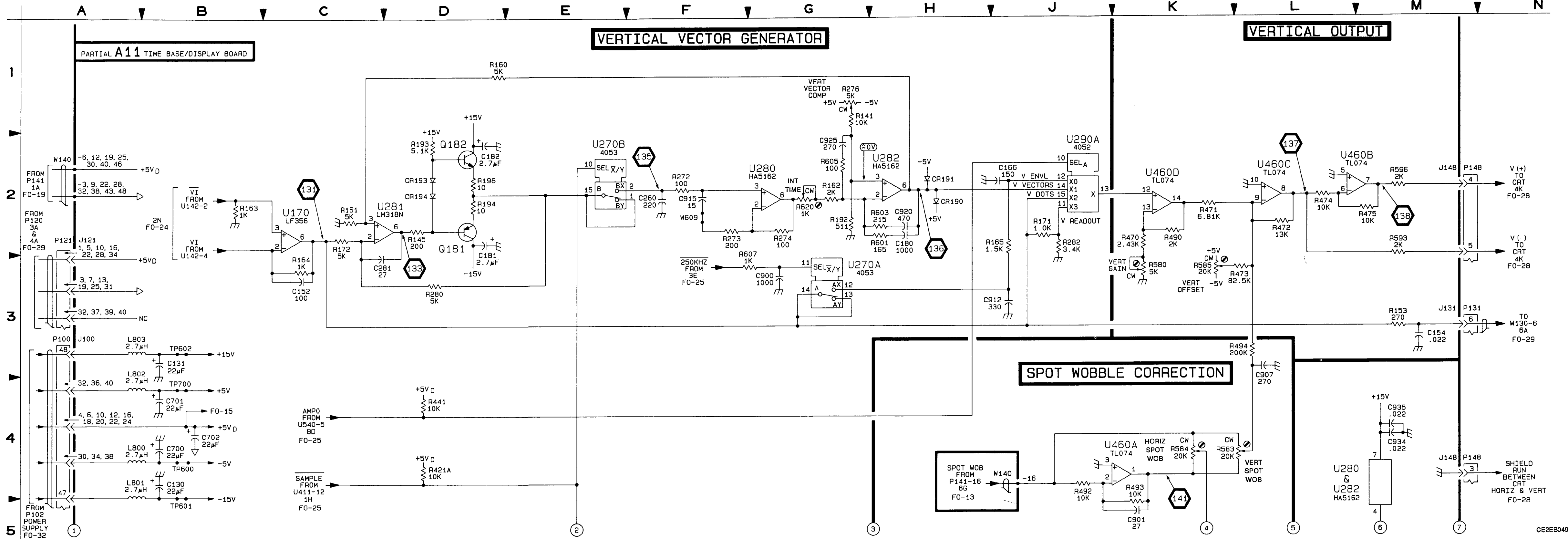
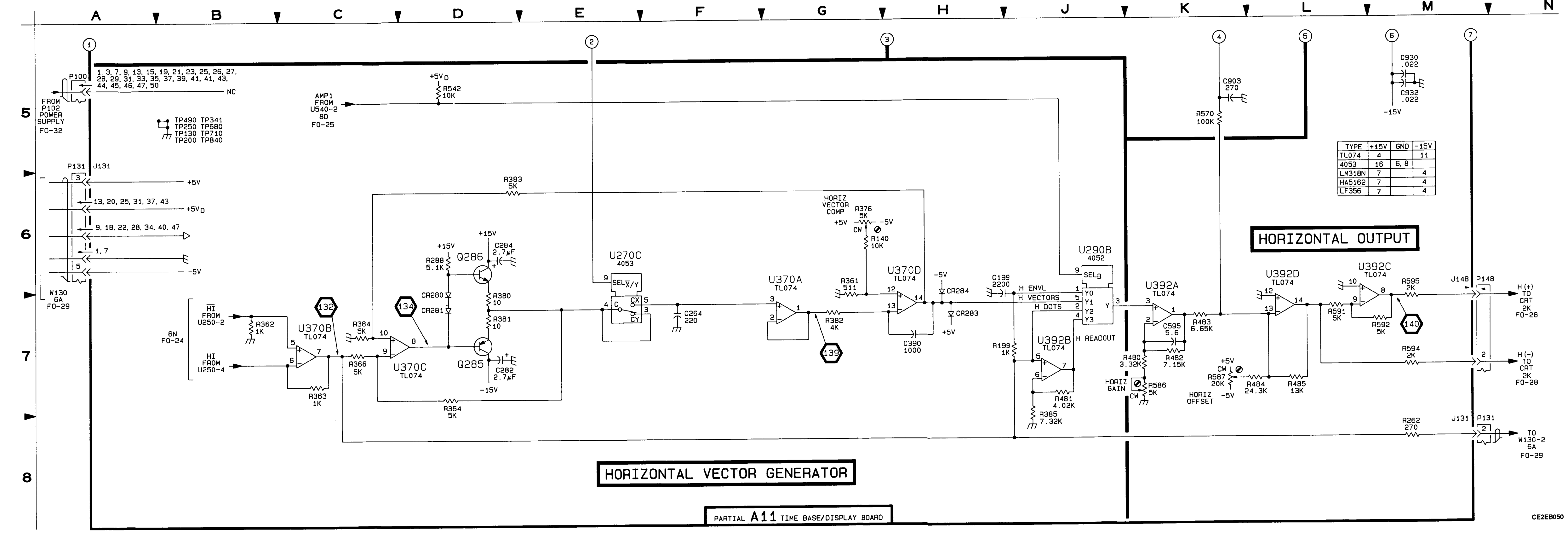


Figure FO-26. Display Output Schematic (Sheet 1 of 3).  
FP-97/(FP-98 blank)



HORIZONTAL VECTOR GENERATOR

HORIZONTAL OUTPUT

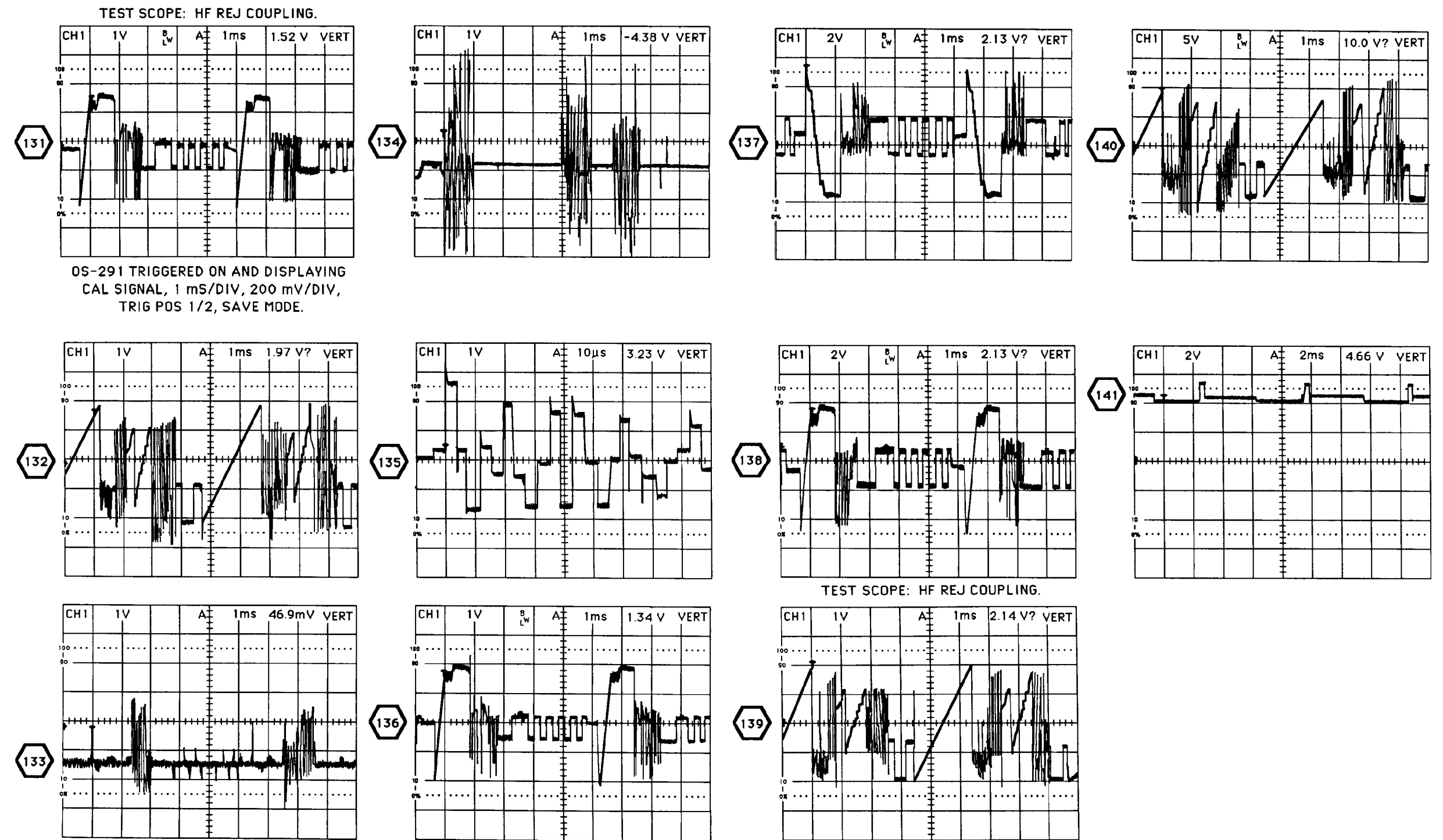
PARTIAL A11 TIME BASE/DISPLAY BOARD

CE2E050

Figure FO-26. Display Output Schematic (Sheet 2 of 3). FP-99/(FP-100 blank)

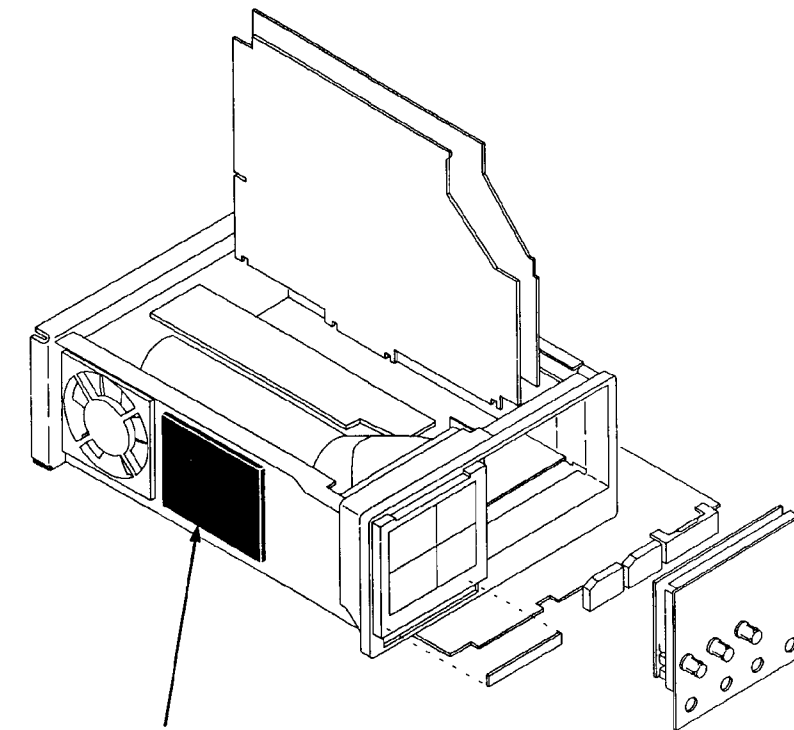


TEST WAVEFORMS FOR THIS FIGURE



A17 High Voltage Board Component-to-Schematic Cross Reference

CIRCUIT NUMBER	FO NUMBER	CIRCUIT NUMBER	FO NUMBER	CIRCUIT NUMBER	FO NUMBER
C109	28	CR611	28	R247	28
C133	28	CR643	28	R248	28
C139	28	CR644	28	R260	28
C150	28			R261	28
C160	28	DS490	28	R262	28
C165	28	DS491	28	R263	28
C179	28			R277	28
C189	28	J162	28	R278	28
C215	28	J172	28	R279	28
C216	28	J173	28	R297	28
C217	28	J174	28	R298	28
C218	28	J176	28	R300	28
C222	28			R305	28
C234	28	L605	28	R315	28
C239	28			R316	28
C260	28	Q145	28	R393	28
C269	28	Q152	28	R395	28
C288	28	Q215	28	R400	28
C289	28	Q216	28	R442	28
C295	28	Q217	28	R443	28
C327	28	Q269	28	R500	28
C409	28	Q500	28	R543	28
C613	28	Q628	28	R546	28
C617	28	Q640	28	R620	28
C618	28	Q641	28	R639	28
C628	28			R641	28
C629	28	R100	28	R642	28
C638	28	R119	28	R643	28
C639	28	R122	28	R644	28
C640	28	R137	28	R645	28
C688	28	R145	28	R669	28
C689	28	R160	28	R690	28
C690	28	R161	28	R691	28
C692	28	R162	28	R693	28
C694	28	R170	28	R694	28
C957	28	R179	28	R976	28
CR134	28	R180	28	T525	28
CR152	28	R200	28		
CR217	28	R216	28	U168	28
CR315	28	R218	28	U227	28
CR411	28	R219	28		
CR442	28	R220	28	VR209	28
CR500	28	R221	28	VR316	28
CR541	28	R233	28		
CR565	28	R245	28	W175	28
CR610	28	R246	28		



A17-HIGH VOLTAGE POWER SUPPLY BOARD

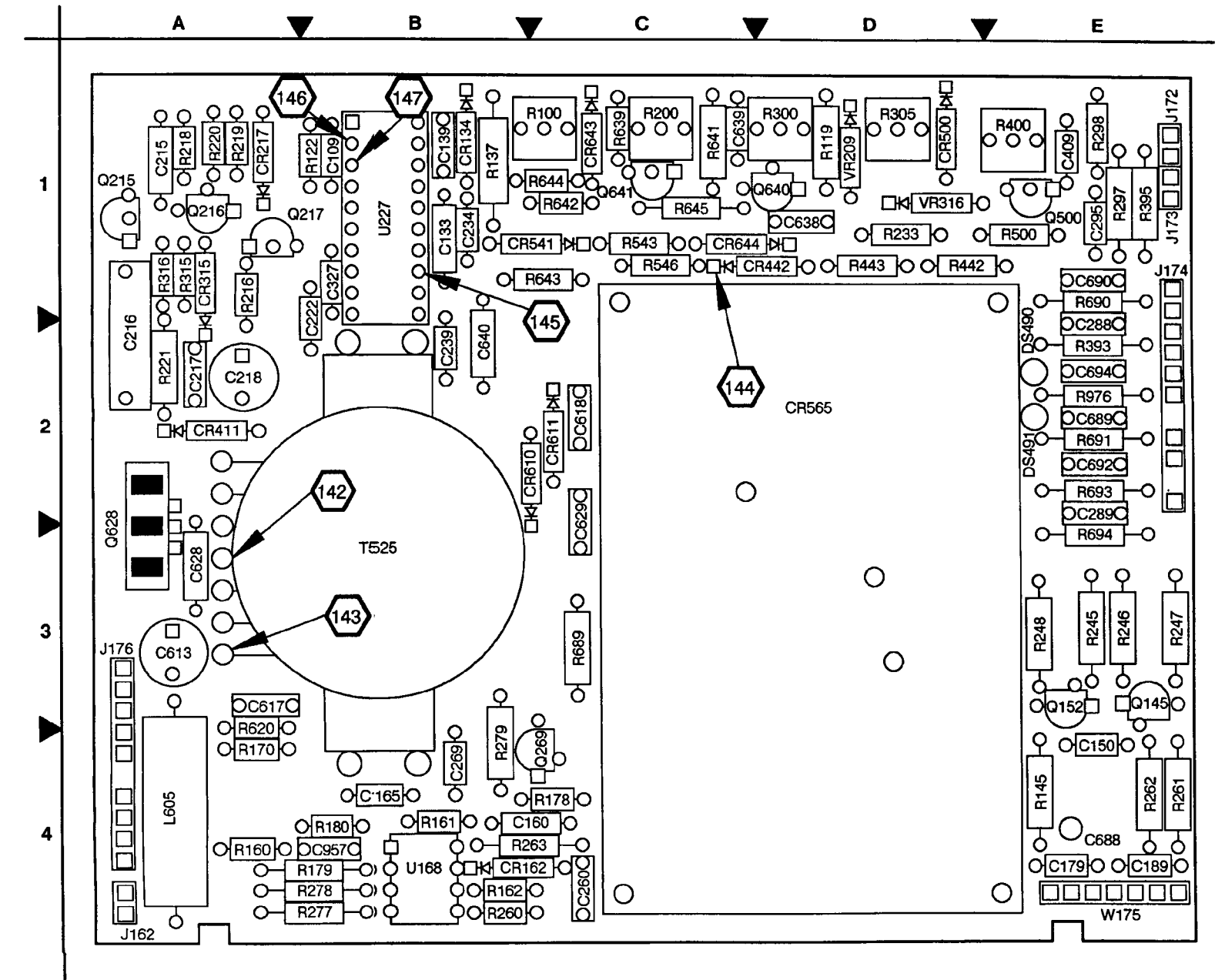


Figure FO-27. A17 High Voltage Board Component Locator.  
FP-103/(FP-104 blank)

**Location of the Components Shown in this Figure and in Figures FO-11 and FO-27.**

CIRCUIT NUMBER	SCHEM LOCATION	BOARD LOCATION	CIRCUIT NUMBER	SCHEM LOCATION	BOARD LOCATION	CIRCUIT NUMBER	SCHEM LOCATION	BOARD LOCATION	CIRCUIT NUMBER	SCHEM LOCATION	BOARD LOCATION
<b>A10 MAIN BOARD<sup>1</sup></b>											
J105	1C	10E	J105	8C	10E	J108	1B	8C	J141	8B	2K
<b>A17 HIGH VOLTAGE BOARD<sup>2</sup></b>											
C105	7F	1B	CR134	6E	1B	Q641	8F	1C	R316	5D	1A
C133	7E	1B	CR182	4D	4B	R100	8D	1C	R393	1G	2E
C139	7E	1B	CR217	6D	1A	R119	3M	1D	R400	7H	1E
C150	4D	4E	CR315	5D	2A	R137	7E	1B	R442	5F	1D
C160	4B	4B	CR411	5C	1A	R145	3E	4E	R500	8G	1E
C165	4C	4B	CR442	5F	1D	R160	4B	4A	R543	4B	1C
C178	3D	4E	CR500	7H	1D	R161	4C	4B	R546	5F	1C
C188	2D	4E	CR541	5F	1C	R170	4B	4A	R630	4B	3A
C215	5D	1A	CR565	4H	2D	R178	1E	4C	R641	6F	1C
C218	5C	2A	CR610	5E	2C	R180	2E	4B	R642	5F	1C
C217	5D	2A	CR611	4E	2C	R200	2N	1C	R643	5F	1C
C218	5D	2A	CR643	6D	1C	R216	8D	1A	R644	6F	1C
C222	6E	1B	CR644	5F	1C	R218	8D	1A	R645	6F	1C
C234	7E	1B				R219	8D	1A	R689	2E	3C
C236	4C	2B	DS490	6J	2E	R220	8D	1A	R690	5M	1E
C238	7F	2B	DS491	6J	2E	R221	8D	1A	R690	5M	1E
C290	4D	4C				R222	8D	1A	R691	2C	2E
C299	4C	4B	J162	7B	4A	R223	8E	1D	R693	3G	2E
C288	1F	2E	J172	2M	1E	R224	8E	1D	R694	1F	3E
C289	1F	2E	J173	2M	1E	R225	3F	3E	R694	1F	3E
C295	4M	2E	J174	1G	1E	R226	3F	3E	R976	2M	2E
C327	8E	1B	J174	2G	1E	R245	3F	3E	T525	4C	3B
C409	7H	1E	J174	2M	1E	R246	2F	3E			
C813	8B	3A	J174	4M	1E	R247	2F	3E			
C817	4B	3A	J179	6B	1E	R248	3F	3E			
C818	5E	2C				R290	4D	4B			
C828	4B	3A	L805	6B	4A	R261	2D	4E	U168A	4C	4B
C829	4E	2C				R262	3E	4E	U168B	1C	4B
C836	6F	1D	Q145	2F	3E	R263	4D	4C	U227	7E	1B
C839	6D	1C	Q152	3F	3E	R277	1C	4B			
CR40	5E	2B	Q215	5D	1A	R278	1C	4B			
CR88	6K	4E	Q216	6C	1A	R279	2E	4B			
C899	2F	2E	Q217	6D	1A	R297	4N	1E			
C900	5M	1E	Q299	1E	4C	R298	2K	1E			
C922	3F	2E	C500	7H	1E	R300	1C	1D			
CR94	2M	2E	C628	4B	2A	R305	2N	1D			
CR57	2E	4B	Q640	6F	1D	R315	5D	1A			
<b>CHASSIS PARTS (NOT MOUNTED ON ANY CIRCUIT BOARD)</b>											
L1000	1K	CHASSIS	P162	7A	CHASSIS	P174	2M	CHASSIS	R1099	2A	CHASSIS
P105	1C	CHASSIS	P172	2M	CHASSIS	P179	4M	CHASSIS	V1000	1K	CHASSIS
P106	8C	CHASSIS	P173	2G	CHASSIS	P179	6A	CHASSIS			
P108	1B	CHASSIS	P174	1G	CHASSIS	R1077	1A	CHASSIS			
P141	8B	CHASSIS	P174	2G	CHASSIS	R1088	3A	CHASSIS			

<sup>1</sup>A partial schematic of the A10 Main Board is also shown in fig. FO-12, FO-13, FO-17, FO-18, FO-19, FO-20, FO-21, and FO-22. Component locations are shown in fig. FO-11.  
<sup>2</sup>Component locations for the A17 High Voltage Board are shown in fig. FO-27.

- NOTE**
- This circuit contains static-sensitive devices. See page C at the front of this manual for information on handling static-sensitive devices.
  - CR565 Pin 10 may be internally connected to pin 9 in some instruments.

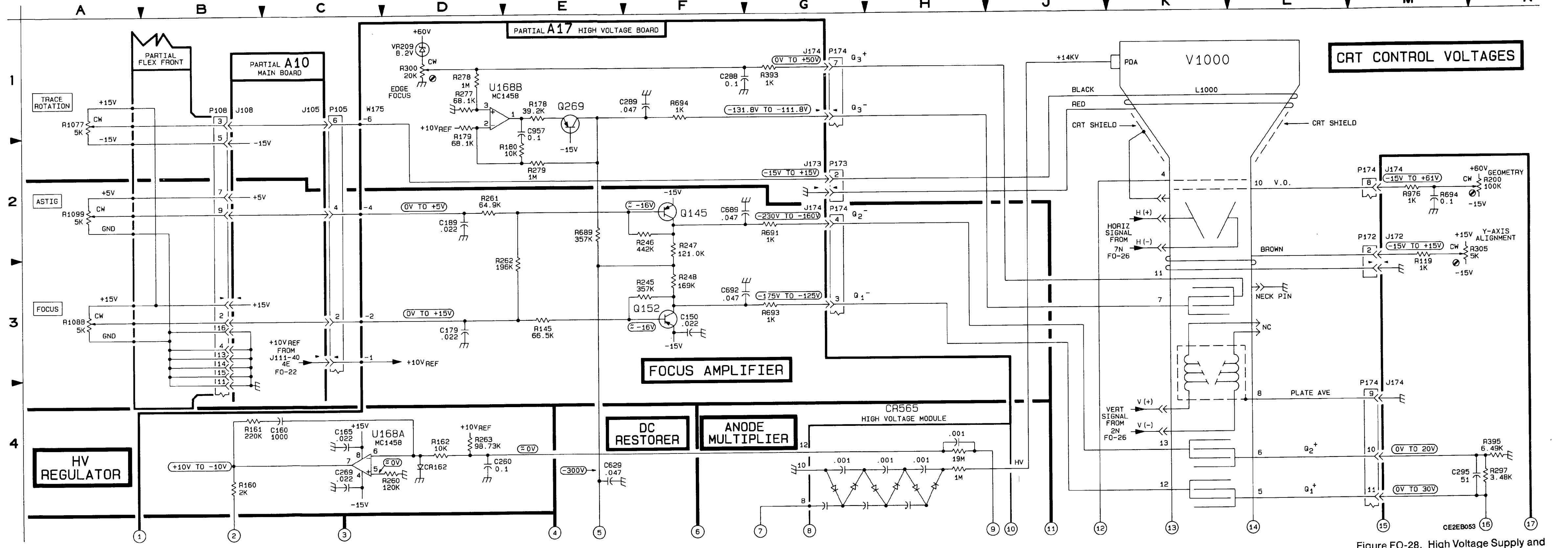


Figure FO-28. High Voltage Supply and CRT Schematic (Sheet 1 of 2). FP-105/(FP-106 blank)

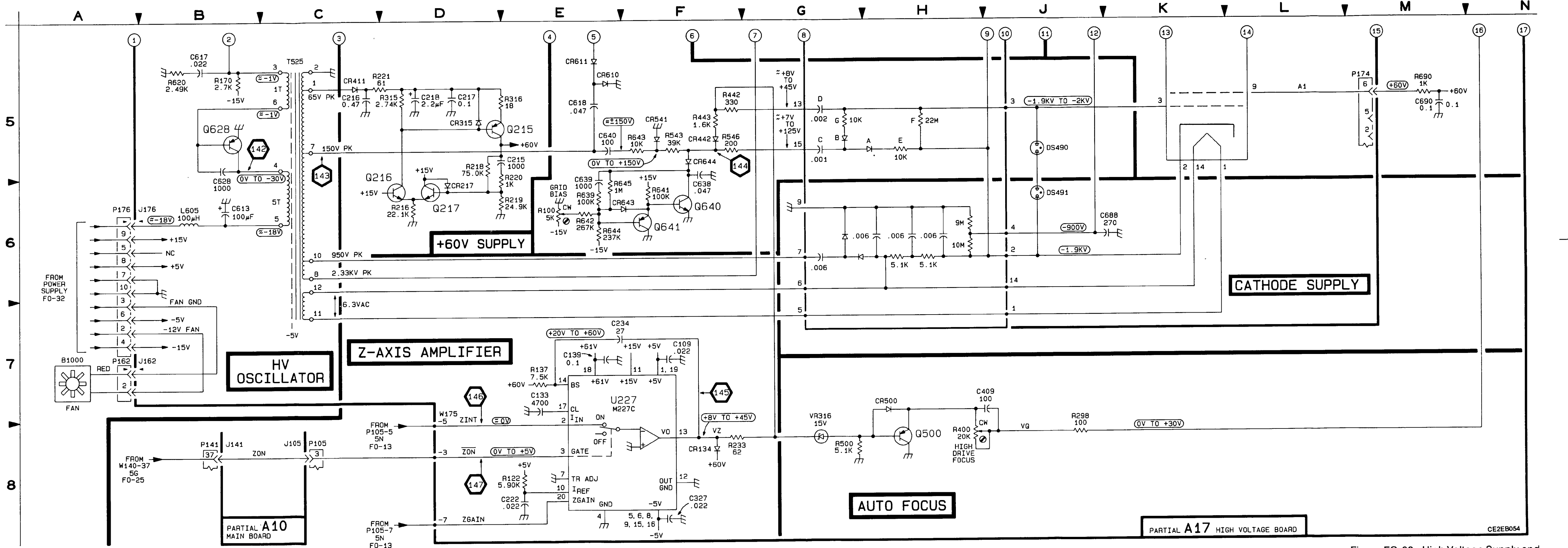
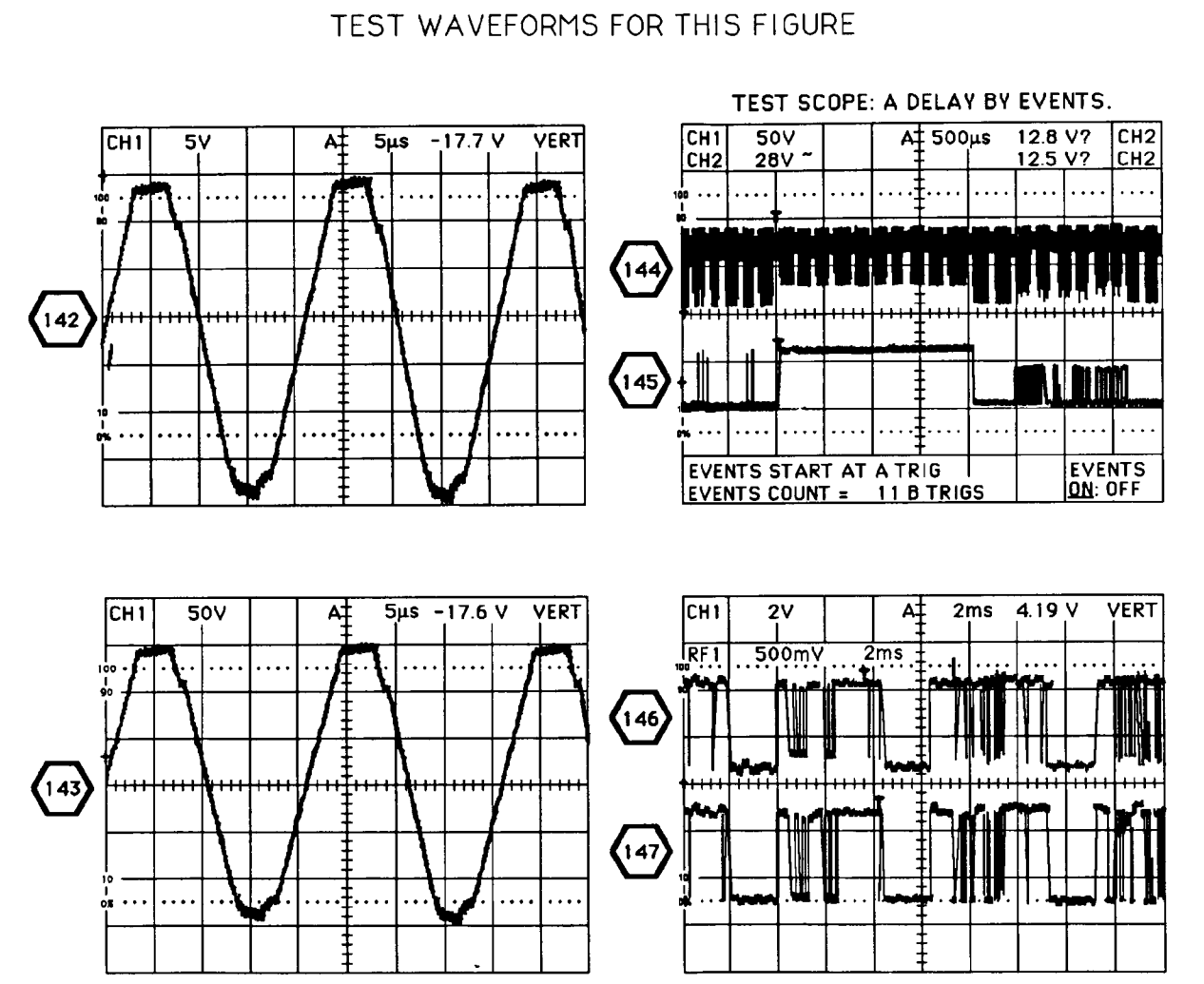


Figure FO-28. High Voltage Supply and CRT Schematic (Sheet 2 of 2). FP-107/(FP-108 blank)

Location of the Components Shown in this Figure and in Figure FO-4.

CIRCUIT NUMBER	SCHEM LOCATION	BOARD LOCATION	CIRCUIT NUMBER	SCHEM LOCATION	BOARD LOCATION	CIRCUIT NUMBER	SCHEM LOCATION	BOARD LOCATION	CIRCUIT NUMBER	SCHEM LOCATION	BOARD LOCATION
<b>A12 PROCESSOR BOARD*</b>											
C104	1J	2A	C670	3C	6J	L992	4B	8L	TP332	4B	3E
C105	1J	1B	C720	3C	7C				TP372	4B	3J
C107	2K	4C	C748	3C	7F	LS488	1D	4M	TP378	4B	3K
C120	4C	1D	C764	3C	7H				TP574	4B	5J
C130	4C	1D	C766	3C	7J				TP664	4B	6H
C132	4C	1F	C774	4C	7J	Q104	1J	2A	TP774	4B	7K
C150	4K	1G	C780	4C	7K	Q588	1B	5L	TP902	4B	9A
C202	4K	2A	C790	3C	7L	Q592	1C	5M			
C204	4K	2A	C850	3C	8G	Q594	1C	5M	U120	1H	1C
C206	5K	2A	C862	4C	8H	Q596	1B	5M	U132A	1G	1E
C238	3C	2E	C882	3B	8L	Q720	4J	7C	U132B	1G	1E
C276	2A	3K	C884	2B	8L				U250C	2F	3G
C278	4C	3K	C886	4B	8L	R103	1J	1A	U264D	5D	3H
C336	3C	3E	C894	3C	8M	R104	1A	2A	U270F	5E	3J
C348	3C	3F	C936	2B	8E	R105	1J	2B	U274	2B	2K
C358	3C	3G	C964	3A	8H	R106	1J	2B	U332B	6C	3E
C380	3C	3H	C980	4C	8K	R107	2K	2B	U332C	8E	3E
C386	4C	3J				R108	2J	2B	U424E	2J	5D
C370	3C	3J	CR104	1J	2A	R120	2J	1C	U632	8E	5E
C372	2A	3K	CR107	2K	2B	R122	2K	1C	U634	5E	6D
C374	2B	3K	CR120	2K	1C	R274	1A	3J	U630	5D	7D
C386	3C	3K	CR122	2K	1C	R276	2A	3A	U720	5F	7D
C432	3C	4G	CR594	2D	5M	R300	1J	3A	U750	7J	7G
C462	3C	4H	CR596	1A	8L	R332	3E	3E	U754	5J	7G
C464	3C	4J	CR722	3J	7C	R592	2C	5M	U844D	4J	8E
C466	4C	4J	CR922	3B	9L	R594	1C	5M	U894B	2G	8M
C472	3B	4J				R596	1B	5M			
C474	4C	4K	J103	2A	6J	R597	1B	5M	VR105	1J	1B
C484	4C	4L	J120	4J	9C	R598	1B	5M	VR171	3K	7C
C532	4C	5E	J120	5A	9C	R828	4C	9C			
C542	3C	5F	J125	1L	3A	R716	3K	7C	W130	5A	1H
C550	4C	5G	J125	4H	3A	R717	3K	7C	W130	6A	1H
C572	4C	5J	J181	2F	8C	R722	4J	7C			
C580	4C	6K	J207	6L	8M	R722	4J	7C			
C590	1C	5L				R792	6K	7M			
C592	3C	6D	L976	4B	8K	R794	6K	7M			
C596	3C	6D	L984	3B	8K	R796	6K	7M			
C646	4C	6F	L990	2B	8L						
<b>CHASSIS PARTS (NOT MOUNTED ON ANY CIRCUIT BOARD)</b>											
J1807	2C	CHASSIS	P120	4J	CHASSIS	P181	2F	CHASSIS			
P103	2A	CHASSIS	P120	5A	CHASSIS						

\*A partial schematic of the A12 Processor Board is also shown in fig. FO-5 and FO-6. Component locations are shown in fig. FO-4.

**NOTE**  
This circuit contains static-sensitive devices. See page C at the front of this manual for information on handling static-sensitive devices.

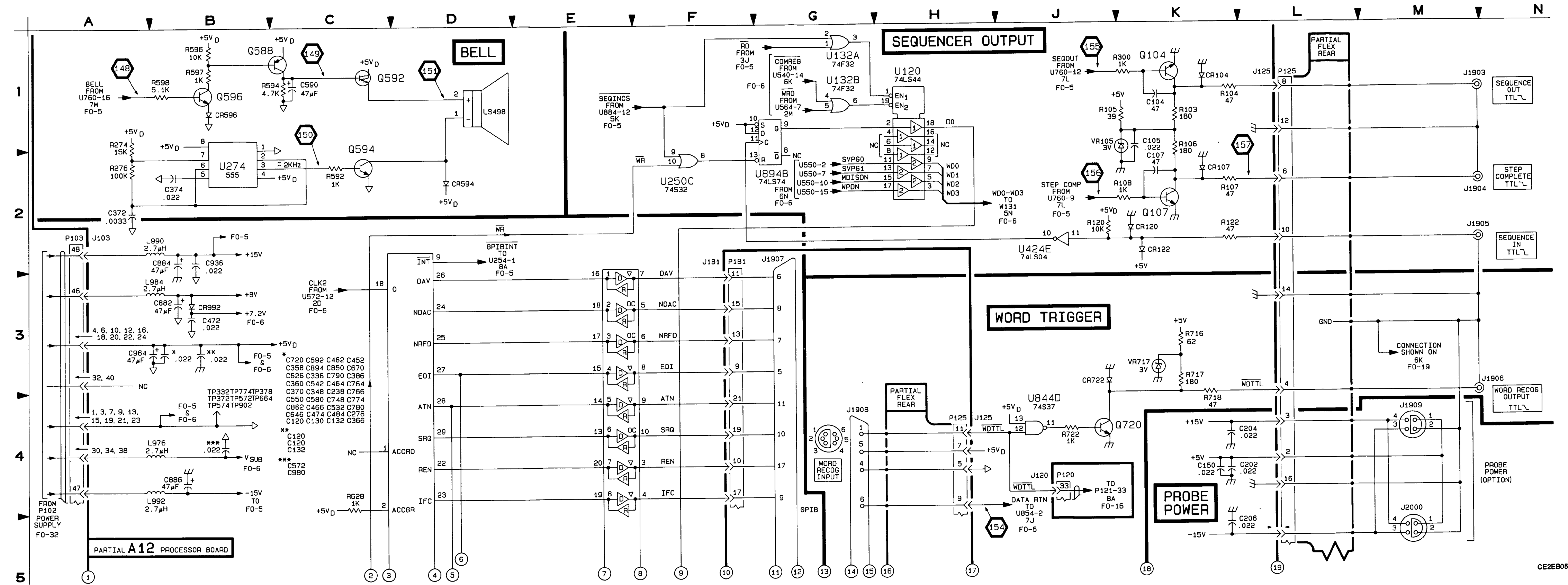


Figure FO-29. System I/O Schematic (Sheet 1 of 2). FP-109/(FP-110 blank)

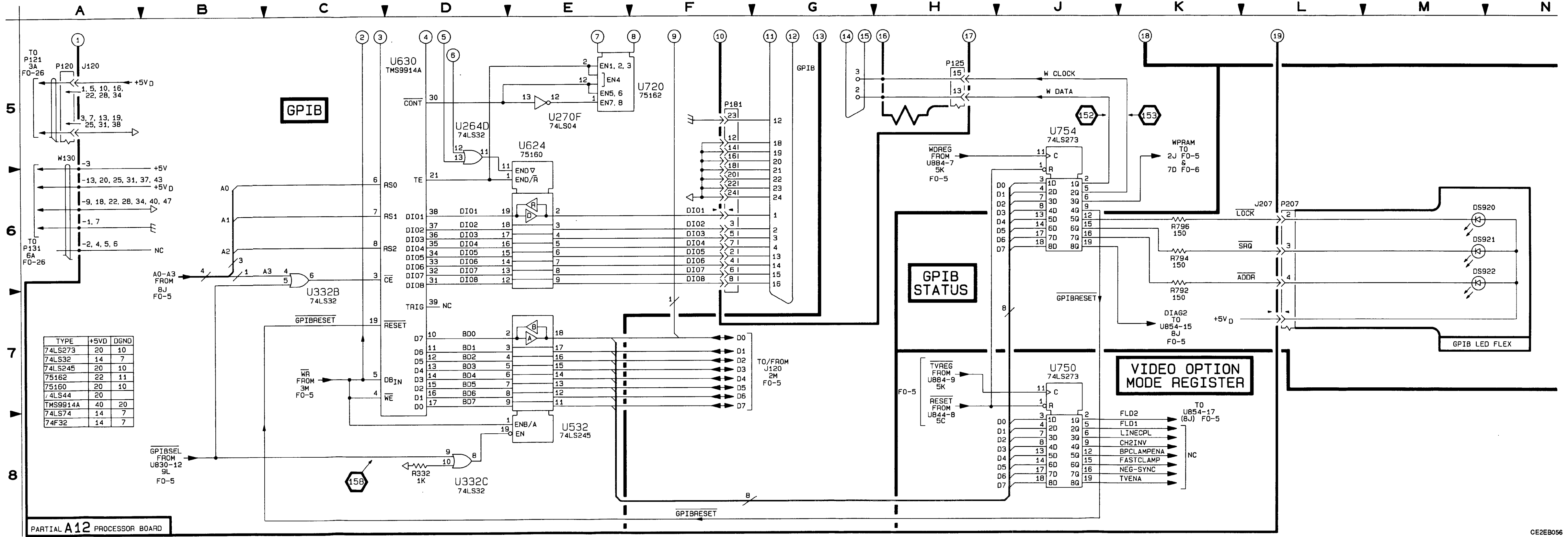
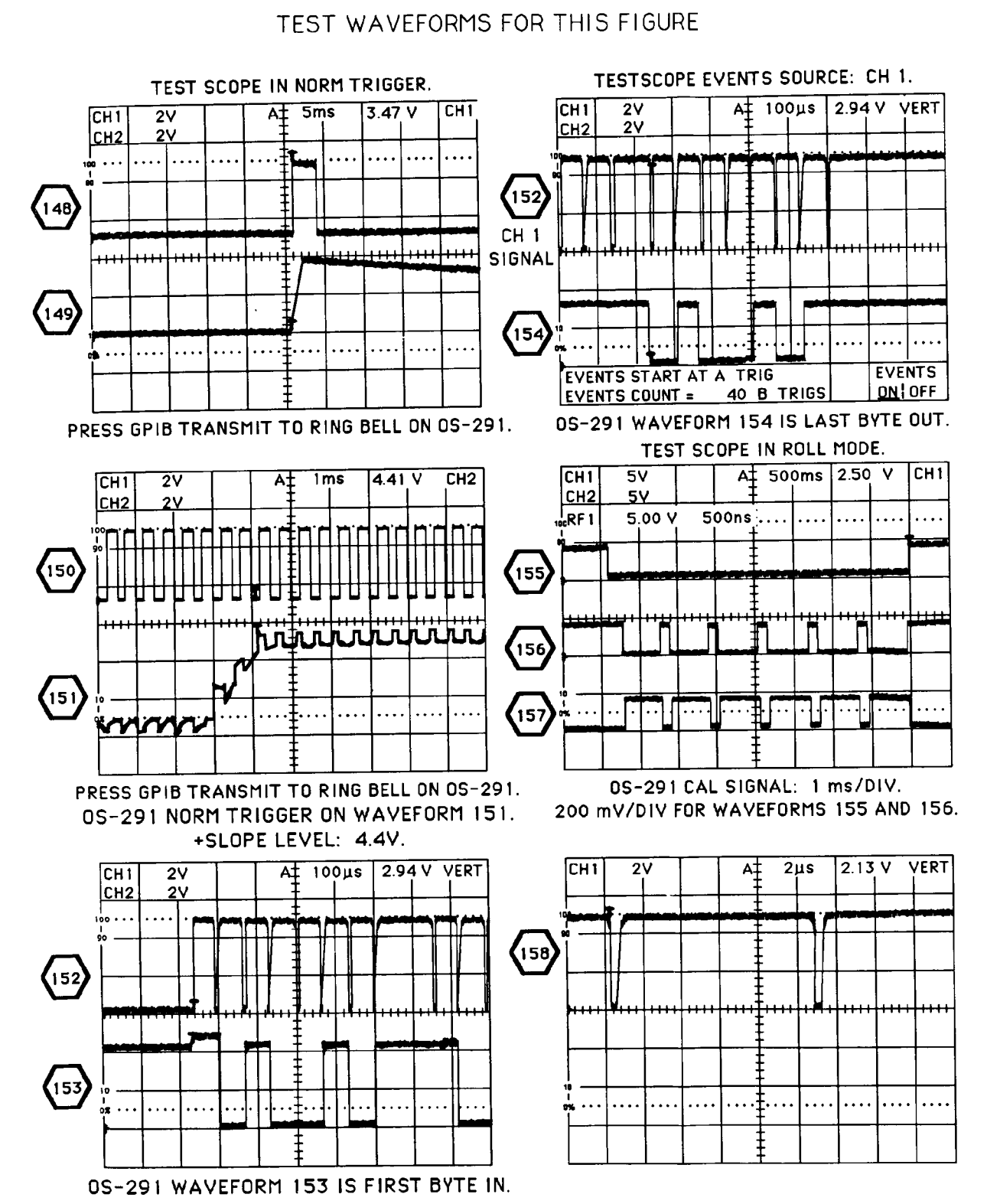
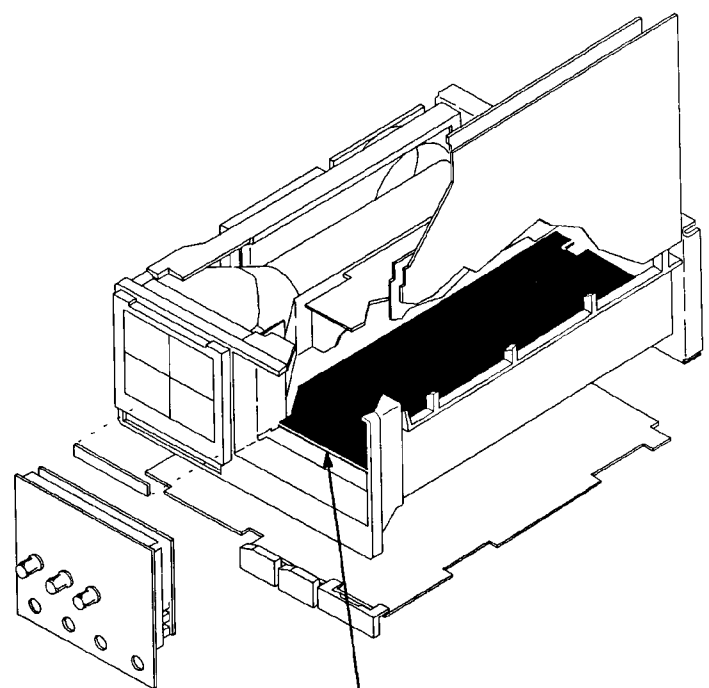


Figure FO-29. System I/O Schematic (Sheet 2 of 2). FP-111/(FP-112 blank)

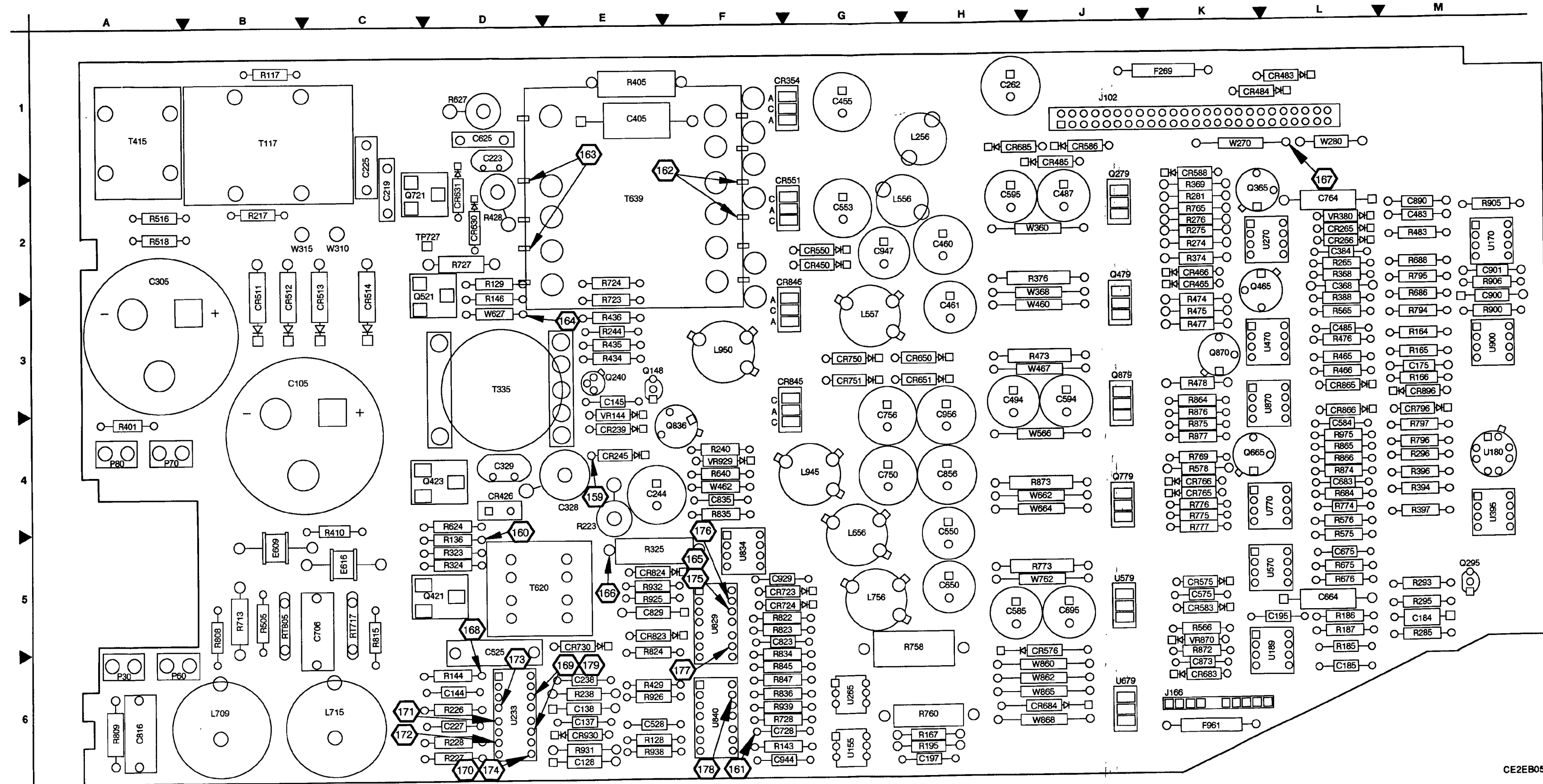


**A16 Low Voltage Power Supply Board  
Component-to-Schematic Cross Reference**

CIRCUIT NUMBER	FO NUMBER	CIRCUIT NUMBER	FO NUMBER	CIRCUIT NUMBER	FO NUMBER	CIRCUIT NUMBER	FO NUMBER	CIRCUIT NUMBER	FO NUMBER
C105	31	CR266	32	P80	31	I34	31	R805	32
C128	31	CR354	31			R436	31	R906	32
C137	31	CR426	31	Q148	31	R436	31	R925	31
C138	31	CR450	31	Q240	31	R465	32	R926	31
C144	31	CR465	32	Q279	32	R466	31	R931	31
C145	31	CR466	32	Q295	32	R473	32	R932	31
C175	32	CR483	32	Q365	32	R474	32	R938	31
C184	32	CR484	32	Q421	31	R475	32	R939	31
C185	32	CR485	32	Q423	31	R475	32	R975	32
C195	32	CR511	31	Q465	32	R477	32		
C197	32	CR512	31	Q479	32	R478	32	RT717	31
C219	31	CR513	31	Q521	31	R483	31	RT805	31
C223	31	CR514	31	Q665	32	R505	31		
C225	31	CR550	31	Q721	31	R516	31	T117	31
C227	31	CR551	31	Q779	32	R518	31	T335	31
C238	31	CR575	32	Q896	31	R565	32	T415	31
C244	31	CR576	32	Q870	32	R566	32	T620	31
C262	31	CR583	32	Q879	32	R575	32	T639	31
C305	31	CR586	32			R576	32	TP727	31
C328	31	CR588	32	R117	31	R576	32		
C368	32	CR630	31	R128	31	R624	31		
C384	32	CR631	31	R129	31	R627	31	U155	31
C405	31	CR650	31	R136	31	R640	31	U170	31
C455	31	CR651	31	R143	31	R675	32	U170	32
C460	31	CR683	32	R144	31	R676	32	U180	32
C461	31	CR684	32	R146	31	R684	32	U189	32
C483	31	CR685	32	R164	32	R686	32	U233	31
C485	32	CR723	31	R165	32	R688	32	U265	31
C487	32	CR724	31	R166	32	R713	31	U270	32
C494	32	CR730	31	R167	31	R723	31	U395	32
C525	31	CR750	31	R185	32	R724	31	U470	32
C528	31	CR751	31	R186	32	R727	31	U570	32
C550	31	CR755	32	R187	32	R728	31	U579	32
C553	31	CR766	32	R195	32	R758	32	U679	32
C575	32	CR796	32	R217	31	R760	32	U770	32
C584	32	CR823	31	R227	31	R765	32	U829	31
C585	32	CR824	31	R226	31	R765	32	U834	31
C594	32	CR845	31	R227	31	R773	32	U840	31
C595	32	CR846	31	R228	31	R774	32	U870	32
C625	31	CR865	32	R238	31	R775	32	U900	32
C650	31	CR866	32	R240	31	R776	32		
C664	32	CR896	32	R244	31	R777	32	VR144	31
C675	32	CR930	31	R265	32	R784	32	VR380	32
C683	32			R274	32	R795	32	VR870	32
C695	32	E609	31	R275	32	R796	32	VR929	31
C706	31	E616	31	R276	32	R797	32	W270	31
C728	31			R281	32	R808	31	W280	31
C759	31	F269	31	R285	32	R809	31	W310	31
C756	31	F961	32	R293	32	R815	31	W315	31
C764	32	J102	31	R295	32	R822	31	W315	31
C816	31	J102	31	R296	32	R823	31	W360	32
C823	31	J102	32	R323	31	R824	31	W368	32
C829	31	J166	32	R324	31	R834	31	W460	31
C835	31			R325	31	R835	31	W462	31
C856	31	L256	31	R369	32	R836	31	W462	31
C873	32	L556	31	R369	32	R845	31	W564	31
C890	32	L557	31	R374	32	R847	31	W564	31
C900	32	L656	31	R376	32	R864	32	W662	32
C901	32	L709	31	R388	32	R865	32	W664	31
C929	31	L715	31	R394	32	R866	32	W762	32
C944	31	L756	31	R396	32	R872	32	W860	32
C947	31	L945	31	R397	32	R873	32	W862	32
C956	31	L950	31	R401	31	R874	32	W865	32
				R405	31	R875	32	W868	32
CR238	31	P30	31	R410	31	R876	32		
CR245	31	P60	31	R428	31	R877	32		
CR265	32	P70	31	R429	31	R900	32		



A16-LOW VOLTAGE POWER SUPPLY BOARD



CE2E8057

Figure FO-30. A16 Low Voltage Power Supply Board  
Component Locator.  
FP-113/(FP-114 blank)

Location of the Components Shown in this Figure and in Figure FO-30.

CIRCUIT NUMBER	SCHEM LOCATION	BOARD LOCATION	CIRCUIT NUMBER	SCHEM LOCATION	BOARD LOCATION	CIRCUIT NUMBER	SCHEM LOCATION	BOARD LOCATION	CIRCUIT NUMBER	SCHEM LOCATION	BOARD LOCATION
<b>A16 LOW VOLTAGE POWER SUPPLY BOARD<sup>1</sup></b>											
C105	5C	3B	CR514	3B	2C	R117	3C	1B	R645	6D	6F
C128	4D	6D	CR550	8M	2D	R128	6D	6D	R647	6D	6F
C137	4E	6D	CR551	4L	5L	R129	5E	2D	R625	5E	5E
C138	4E	6D	CR552	4H	2D	R136	2D	2D	R626	5F	6D
C144	2H	6D	CR631	4J	2D	R143	2J	6F	R631	3E	6D
C145	8E	3E	CR650	5K	3H	R144	2H	6D	R632	5E	6D
C219	4C	2C	CR651	8K	3H	R146	2H	3D	R638	5E	6D
C223	4H	1C	CR723	5H	5F	R167	3H	8H	R639	6D	6F
C225	4C	1C	CR724	5H	5F	R217	3C	2D			
C227	4D	6D	CR730	6F	5E	R223	7D	4E	RT717	2B	5C
C238	3E	6D	CR750	5K	3G	R226	2D	6D	RT805	3B	5B
C244	8E	4E	CR751	8K	3G	R227	3D	6D			
C262	6N	1H	CR823	5G	5E	R228	3D	6D	T117	3C	1B
C305	4C	2A	CR824	5G	5E	R238	3E	6D	T335	2G	3D
C328	4C	4E	CR845	8L	3F	R240	8E	4F	T415	1C	1A
C405	7K	1E	CR846	5L	2F	R244	8E	3E	T820	1F	5D
C455	6M	1G	CR930	3E	6D	R323	2D	5D	T639	5J	2E
C460	7N	2H				R324	1F	5D			
C491	5N	3H	E608	4B	5B	R325	3G	5E	TP727	8H	2C
C483	1C	2L	E818	4B	5C	R401	4B	4A			
C525	2E	5D				R405	6K	1E	U155	2K	6D
C528	6D	6D	F269	6N	1K	R410	5C	4C	U170	1C	2M
C550	3N	4H				R428	3H	2D	U233	2E	6D
C553	7M	2G	J102	1D	1J	R429	5E	6D	U265	3G	6G
C625	4H	1D				R434	8E	3E	U829A	5G	5F
C650	8N	5H	L256	9M	1H	R435	7E	3E	U829B	6H	5F
C706	2B	5C	L556	7M	2C	R436	7D	3E	U834A	3F	4E
C728	6C	6F	L557	5M	3C	R483	1C	2L	U834B	3G	4F
C750	8M	4G	L656	5M	4G	R505	4B	5B	U840A	5F	6F
C756	5M	4G	L709	3B	6B	R516	1B	2A	U840B	6D	6F
C816	2B	6A	L715	2B	6C	R518	1B	2A	U840C	6D	6F
C823	7H	5F	L756	8M	5C	R524	1F	4D	U840D	6G	6F
C829	5F	5E	L945	7M	4G	R627	4H	1D			
C835	4G	4F	L950	5M	3F	R640	8E	4F	VR144	8E	3E
C856	7N	4H				R713	3B	5B	VR926	8E	4F
C829	8E	5F	P30	2B	6A	R723	6H	3E			
C944	2J	6F	P80	3B	6A	R724	6H	2E	W270	1D	1K
C947	5M	2G	P70	4A	4A	R727	6J	2D	W280	1C	1L
C856	6N	4H	P80	5A	4A	R728	6H	6F	W310	3C	2C
CR239	7E	4E	Q148	8E	3E	R808	3B	5B	W315	3C	2C
CR245	7D	4E	Q240	7E	3E	R809	2B	6A	W360	7N	2B
CR354	6K	1F	Q421	1F	5D	R815	2B	5C	W460	6N	3J
CR426	2D	4D	Q423	1F	4D	R822	5G	5F	W462	7F	4F
CR450	5M	2G	Q521	6H	2C	R823	7H	5F	W566	5N	3D
CR511	3B	2B	Q521	7H	2C	R824	5F	5E	W627	3H	3D
CR512	3B	2B	Q526	7F	4F	R834	2H	5F	W664	7N	4J
CR513	3B	2C				R836	6D	6F			
<b>CHASSIS PARTS (NOT MOUNTED ON ANY CIRCUIT BOARD)</b>											
F1000	1A	CHASSIS	J30	2A	CHASSIS	P102	1D	CHASSIS	S1000	4A	CHASSIS
FL100	1A	CHASSIS	J60	2A	CHASSIS	S1020	2A	CHASSIS	S1350	3C	1A
			J70	4A	CHASSIS	R1000					
			J80	5A	CHASSIS						

<sup>1</sup>A partial schematic of the A16 Low Voltage Power Supply Board is also shown in fig. FO-32. Component locations are shown in fig. FO-30.

**NOTE**

This circuit contains static-sensitive devices. See page C at the front of this manual for information on handling static-sensitive devices.

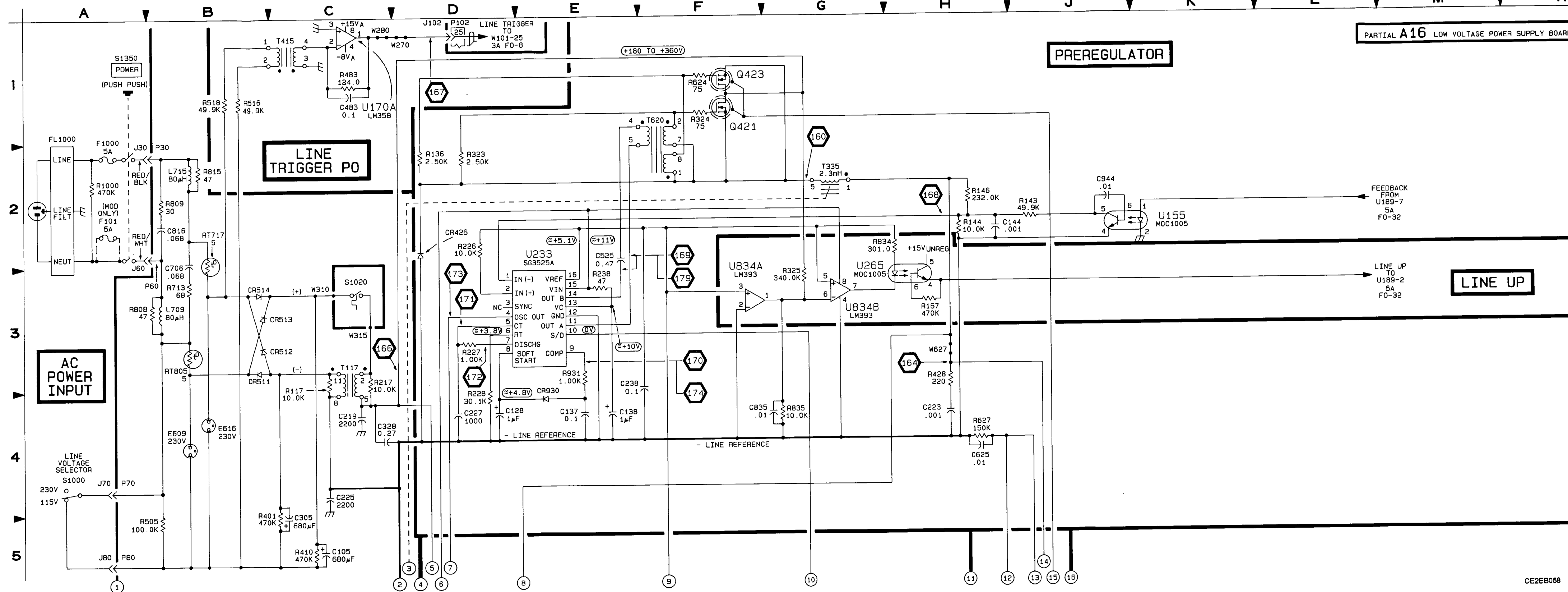
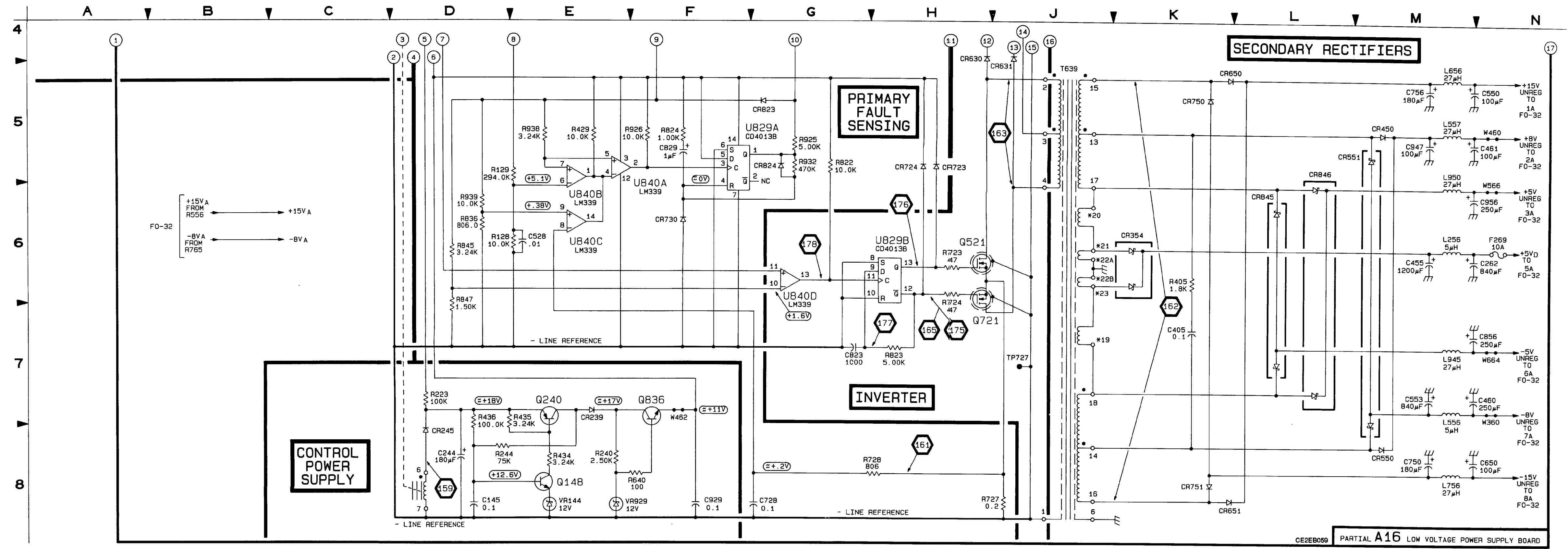


Figure FO-31. Low Voltage Power Supply Schematic (Sheet 1 of 3). FP-115/(FP-116 blank)





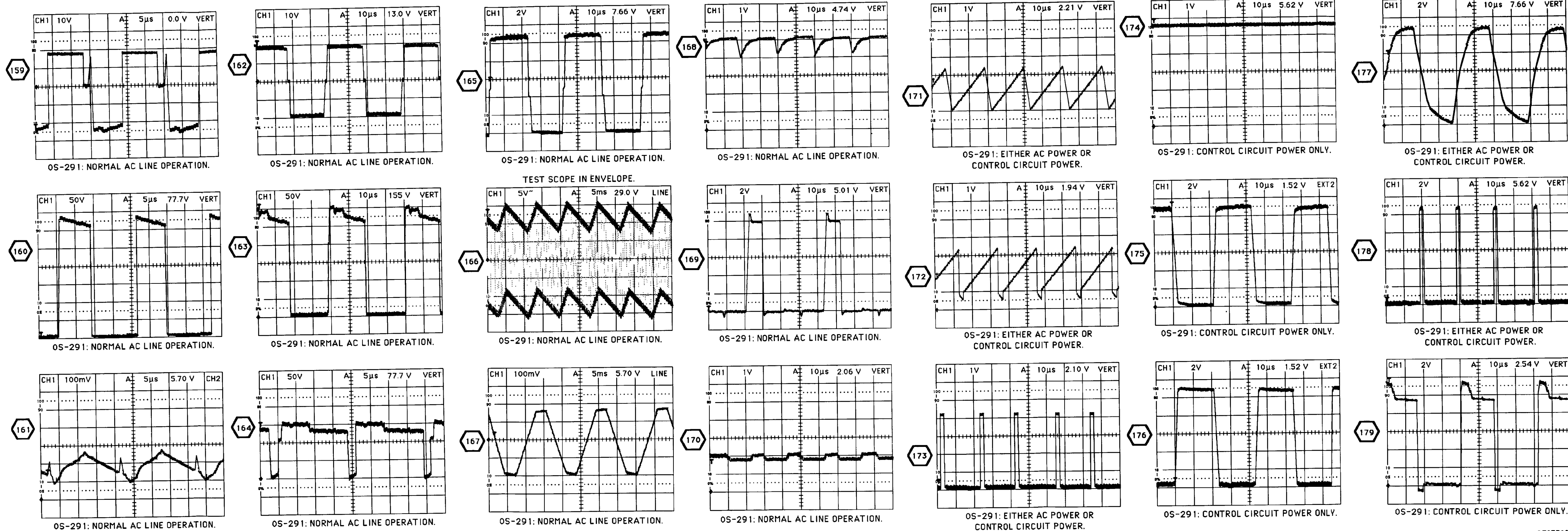
CE2EB059 PARTIAL A16 LOW VOLTAGE POWER SUPPLY BOARD

Figure FO-31. Low Voltage Power Supply Schematic (Sheet 2 of 3).  
FP-117/(FP-118 blank)

**WARNING**

Portions of the power supply are at the AC line potential. Use an isolation transformer.

TEST WAVEFORMS FOR THIS FIGURE



CE2EB060

Figure FO-31. Low Voltage Power Supply Schematic (Sheet 3 of 3). FP-119/(FP-120 blank)

Location of the Components Shown in this Figure and in Figure FO-30

CIRCUIT NUMBER	SCHEM LOCATION	BOARD LOCATION	CIRCUIT NUMBER	SCHEM LOCATION	BOARD LOCATION	CIRCUIT NUMBER	SCHEM LOCATION	BOARD LOCATION	CIRCUIT NUMBER	SCHEM LOCATION	BOARD LOCATION
<b>A16 LOW VOLTAGE POWER SUPPLY BOARD<sup>1</sup></b>											
C175	2J	3M	CR665	4D	3L	R295	5D	5M	R500	4H	4L
C184	5B	5M	CR668	4D	4L	R298	4C	4M	R572	5B	5B
C185	5B	5L	CR669	4C	3M	R300	5F	2L	R573	4J	4J
C186	6C	4L				R303	7D	2K	R574	4J	4L
C187	5B	6D	FR61	6K	6K	R374	2F	2K	R575	4J	4K
C399	6F	3L				R378	7F	2J	R576	4J	4K
C394	6C	2L	J102	1M	1J	R381	9D	3L	R577	4H	4K
C485	2C	3L	J102	1M	1J	R384	3D	4M	R580	2J	3M
C487	7D	2J	J102	3M	1J	R386	4C	4M	R585	2K	3M
C494	4K	3H	J102	4C	1J	R387	3D	4M	R586	2K	3M
C575	2B	5K	J102	4M	1J	R485	3D	4M	R605	2K	3M
C584	5H	4L	J102	5M	1J	R489	3E	3L	R675	5J	4L
C585	7D	5H	J106	1M	6K	R473	3F	3J	U170B	2K	2M
C594	5J	5J	J106	1M	6K	R474	3F	3K	U180	1H	4M
C595	5F	2H	J106	3M	6K	R475	3E	3K	U180A	5C	6L
C604	1A	5L	J106	4M	6K	R479	3F	3L	U180B	4B	5L
C675	6C	5L	J106	5M	6K	R477	3E	3K	U270A	6D	2L
C693	5H	4L	J106	6M	6K	R478	4H	3K	U270B	6D	2L
C695	1D	6J				R585	2D	3L	U355A	4D	4M
C704	7B	2L	Q279	7F	2J	R588	1A	5K	U355B	4D	4M
C873	6B	6K	Q295	5D	5M	R575	1C	5L	U470A	2E	3L
C900	2L	2M	Q485	7E	2K	R576	1C	4L	U470B	2E	3L
C901	2K	2M	Q479	2F	2J	R579	6L	4K	U470B	1C	5L
C9205	7E	2L	Q479	6H	4K	R679	7C	5L	U470B	1B	5J
C9206	6D	2L	Q470	3H	3K	R688	4B	3M	U470A	5H	4L
C9465	2C	3K	Q479	5J	3J	R689	4B	2M	U470B	5H	4L
C9466	2C	2K				R754	6K	5D	U470B	4H	3L
C9483	2L	1K	R164	2K	3M	R760	9K	5H	U470B	4H	3L
C9484	2L	1K	R165	2K	3M	R765	7B	2K	U470B	1K	3M
C9485	4K	1J	R166	2K	3M	R769	6D	4K			
C9575	1B	5K	R166	5B	5L	R773	5J	5J	VR560	7D	2L
C9576	1B	5J	R166	4C	5L	R774	5J	4L	VR570	6B	3K
C9583	1B	5K	R167	4C	5L	R775	5J	4K			
C9586	6L	1J	R166	6B	6D	R776	5J	4K	W308	7F	5J
C9588	7L	2K	R255	6F	2L	R777	5H	4K	W467	2H	4J
C9589	6D	6K	R274	7E	2K	R784	4B	3M	W462	4K	4J
C9594	6C	6J	R275	7F	2K	R786	4B	2M	W702	5K	5J
C9595	5C	5H	R276	7F	2K	R789	4C	4M	W890	1A	6J
C9795	5C	4K	R281	7F	2K	R797	4B	4M	W952	1C	6J
C9796	5C	4K	R285	5C	5M	R844	3D	3K	W955	6B	6J
C9798	4C	4M	R293	5C	5M	R885	4J	4L	W988	6E	6J
<b>CHASSIS PARTS (NOT MOUNTED ON ANY CIRCUIT BOARD)</b>											
P102	1M	CHASSIS	P102	4M	CHASSIS	P106	3M	CHASSIS			
P102	1M	CHASSIS	P102	5M	CHASSIS	P106	4M	CHASSIS			
P102	3M	CHASSIS	P106	1M	CHASSIS	P106	5M	CHASSIS			
P102	4C	CHASSIS	P106	1M	CHASSIS	P106	6M	CHASSIS			

<sup>1</sup>A partial schematic of the A16 Low Voltage Power Supply Board is also shown in fig FO-31  
Component locations are shown in fig FO-30

**NOTE**

This circuit contains static-sensitive devices. See page C at the front of this manual for information on handling static-sensitive devices.

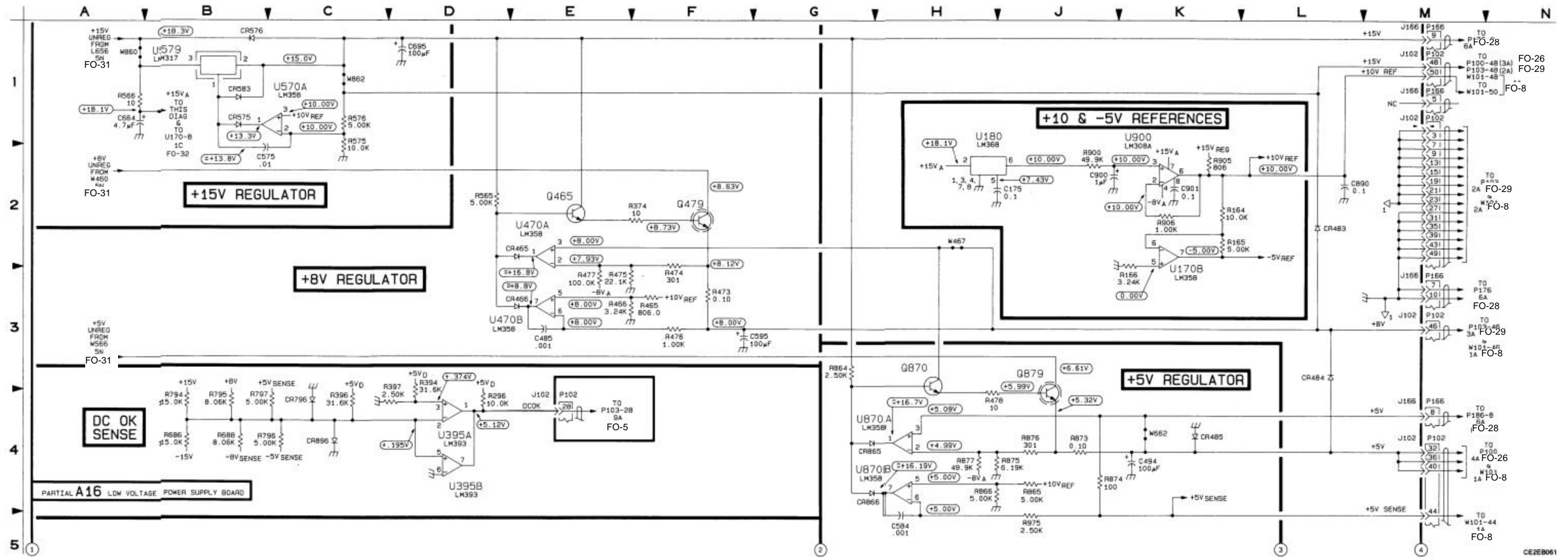
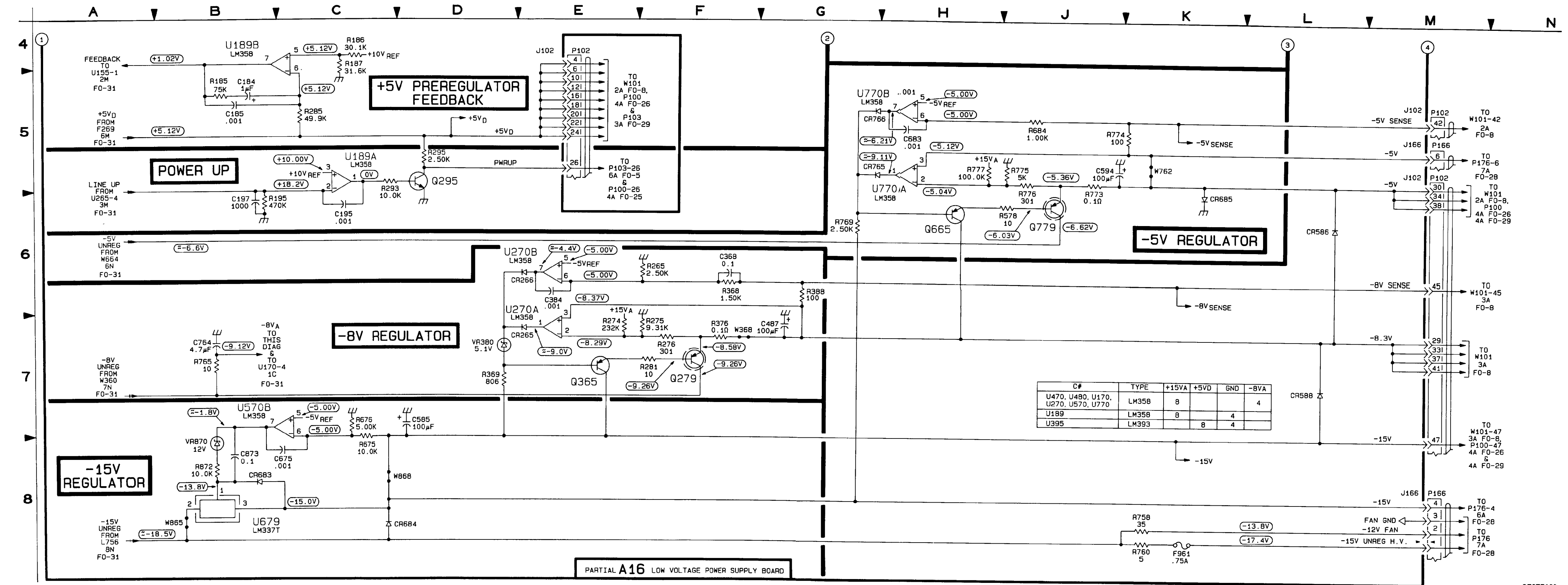


Figure FO-32. Low Voltage Regulators Schematic (Sheet 1 of 2).



PARTIAL A16 LOW VOLTAGE POWER SUPPLY BOARD

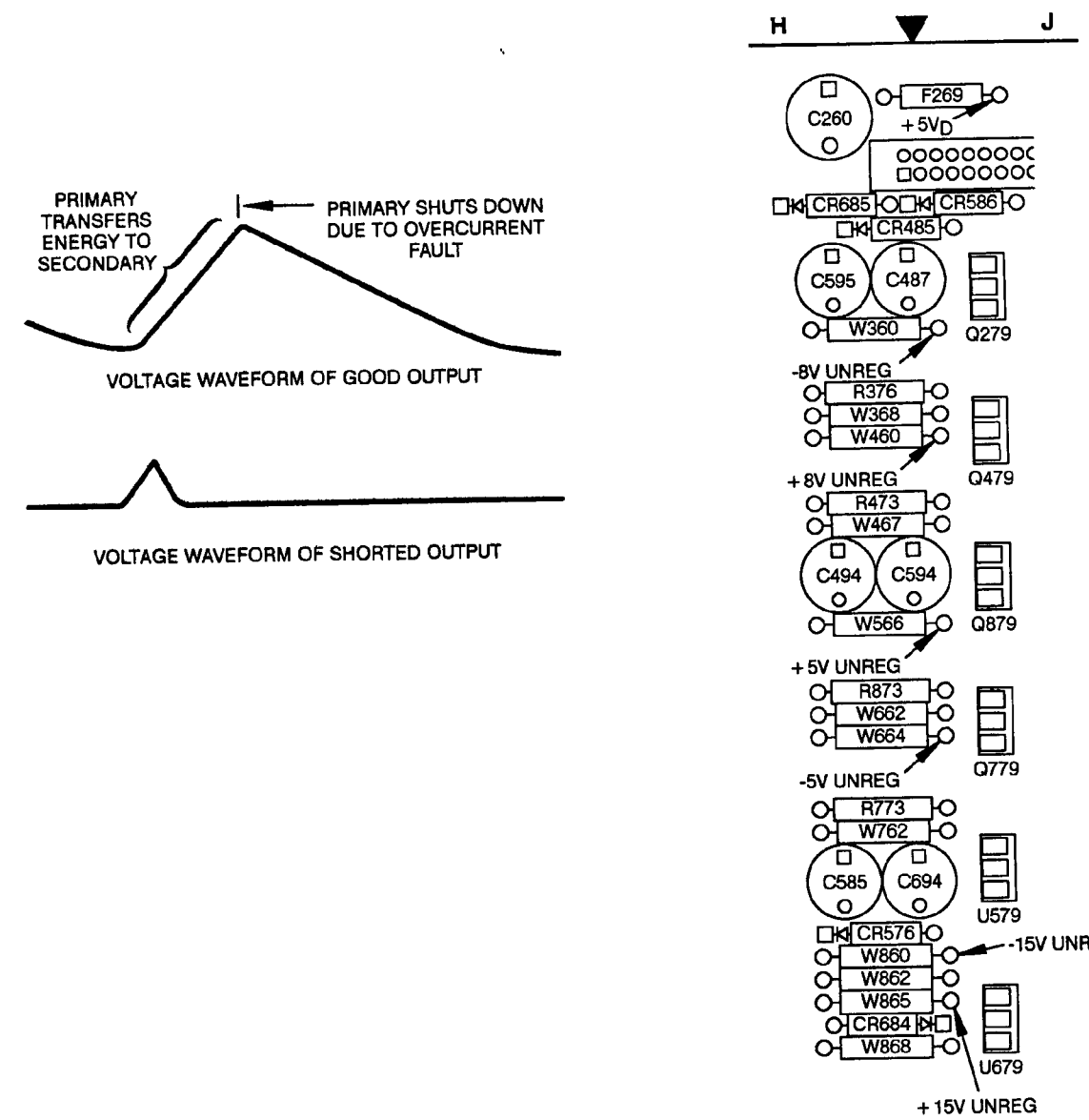
Figure FO-32. Low Voltage Regulators Schematic (Sheet 2 of 2).  
FP-123/(FP-124 blank)

### POWER SUPPLY OVERCURRENT FAULT

In the event of a shorted load on an unregulated voltage supply, the power supply will go into the "CHIRP" mode—so called because of the noise the power supply makes while in that mode. It continually starts up and shuts down in a repeated manner as the over-current sense circuit detects the excessive secondary loading. The voltage waveform present on the unregulated voltage lines gives an indication of whether the secondary is excessively loaded. Check the waveforms at the 0 Ω resistors indicated in the accompanying component location figure for an indication of excessive loading. A shorted secondary circuit is identified by a much smaller voltage waveform than seen on a good secondary circuit (see accompanying waveform illustration).

#### NOTE

A short on the +5 V<sub>D</sub> supply will blow fuse F269.



#### WARNING

Turn off all power before attempting to solder or replace components or to make resistance measurements.

### EXERCISE E/A (ERROR AMPLIFIER)

To verify the functional operation of the PWM (Pulse-Width Modulator) comparator, exercise the Error Amplifier output and the Slow Start input. Use the node between R845 and R847 as a source of +1.6 V to drive the Comp (pin 9) and Soft Start (pin 8) inputs of U233 in the following manner:

1. Monitor the drive waveforms to the gates of PWM FETs Q424 and Q421 to observe the changes that occur.
2. Connect the +1.6 V level to pin 8 of U233. Check that the drive waveform duty cycle decreases from approximately 45% to approximately 15%. Measure that the DC voltage on pin 9 of U233 is approximately 0.7 V more positive than pin 8 of U233.
3. Move the +1.6 V level to pin 9 of U233. Check that the drive waveform duty cycle again decreases from approximately 45% to approximately 15%.

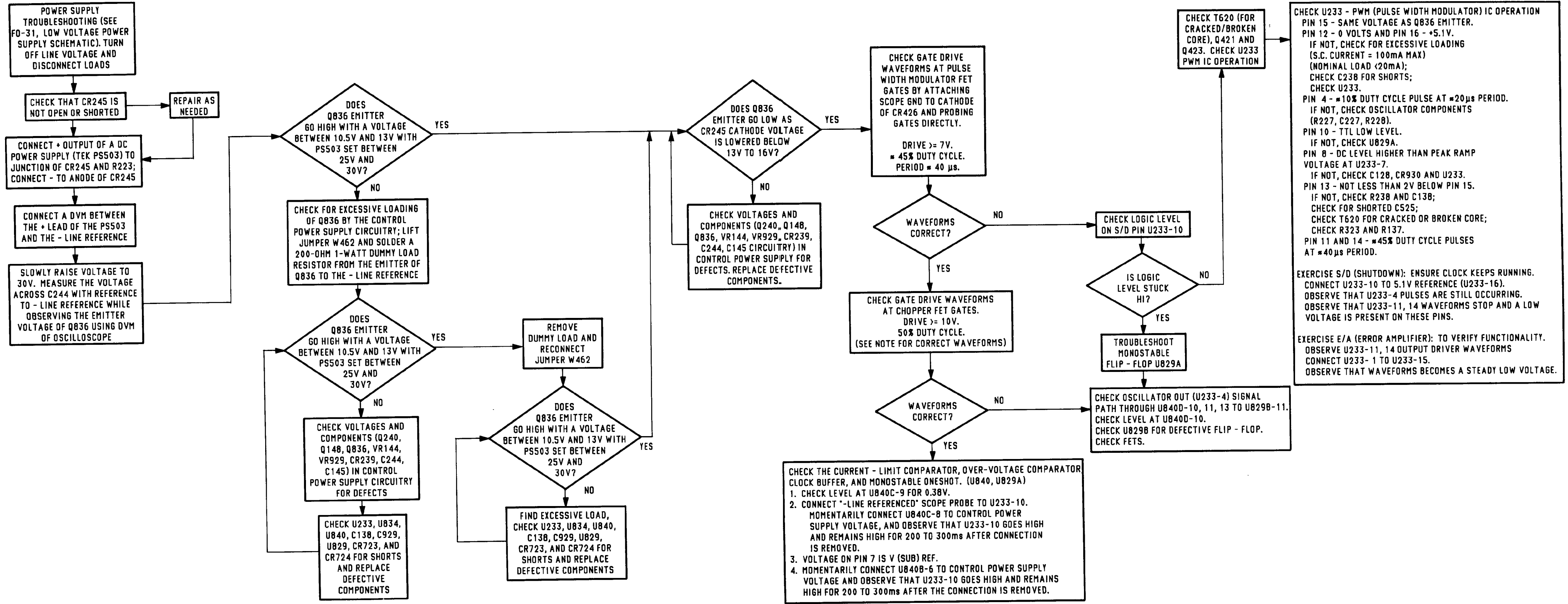


Figure FO-33. Power Supply Troubleshooting. FP-125/(FP-126 blank)

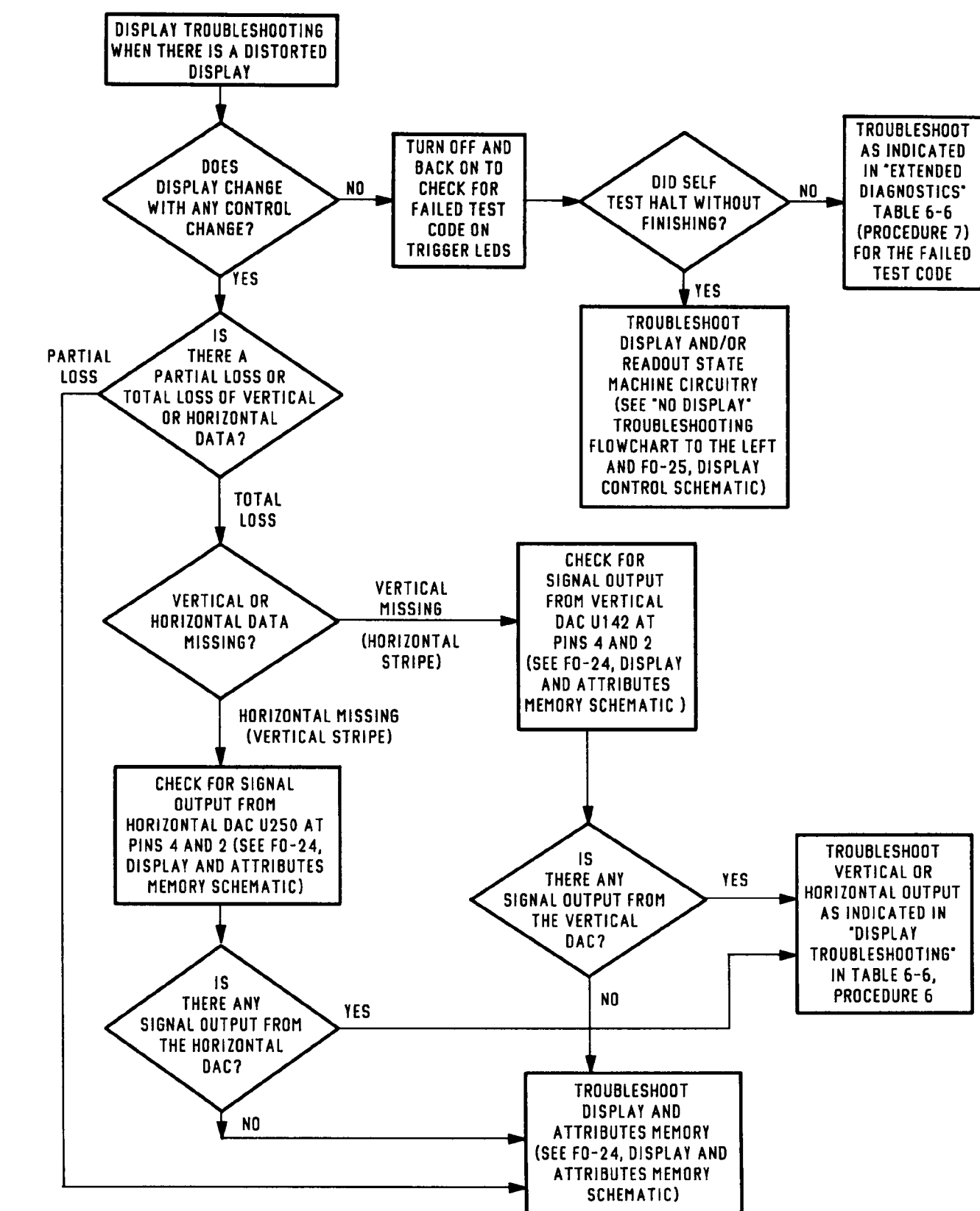
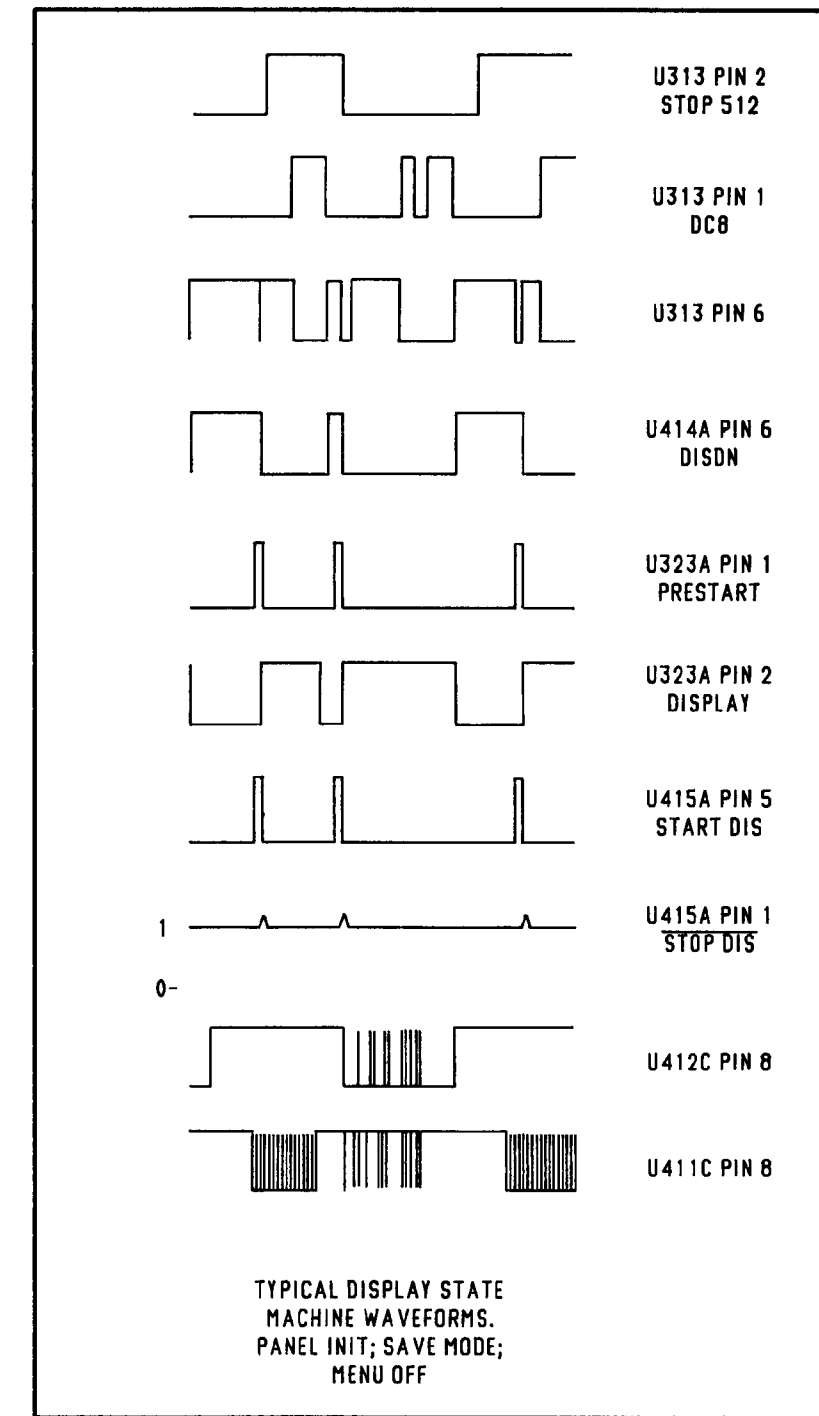
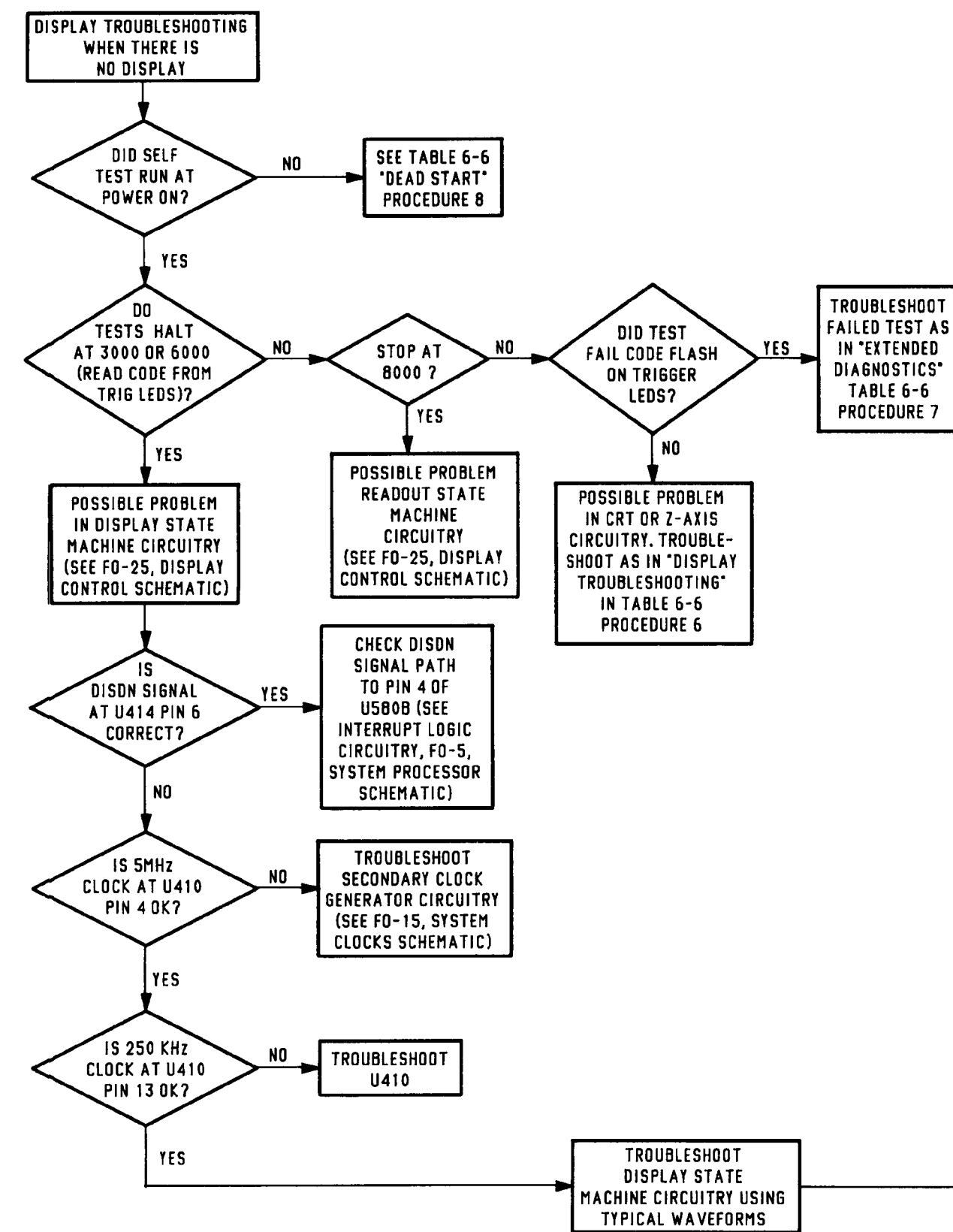


Figure FO-34. Display Troubleshooting. FP-127/(FP-128 blank)

CE2EB064

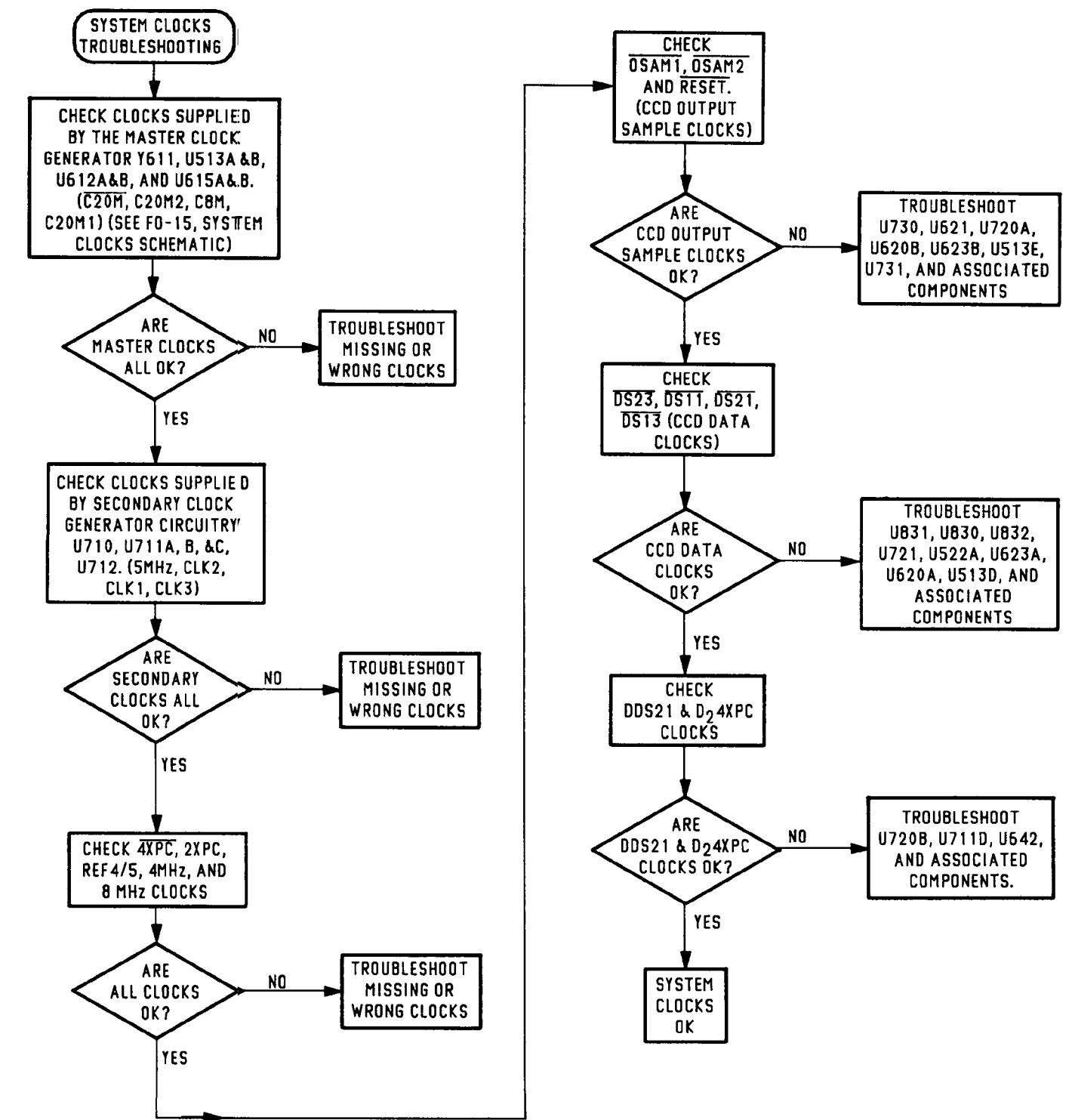


Figure FO-35. System Clocks Troubleshooting. FP-129/(FP-130 blank)





