

28 EXHAUST MANIFOLD (C:2 VALVE)

Ref.No.	Part No.	Description	QTY C
1	14111-60X51	MANIFOLD, EXHAUST	1
2	14140-60A20	GASKET, EXHAUST MANIFOLD	1
3	01500-08253	BOLT	5
4-1	01500-08353	BOLT	1
4-2	01550-08353	BOLT	1
5-1	01421-08253	STUD BOLT	2
5-2	01421-08253	STUD BOLT	7
6-1	08310-00083	NUT	2
6-2	08310-00083	NUT	7
7	08322-01083	WASHER, MANIFOLD	6
8	11851-73001	HOOK, ENGINE	1
9	14120-61A00	COVER, MANIFOLD UPPER	1
10	14130-60A00	COVER, MANIFOLD LOWER	1

Top of List

24 Records

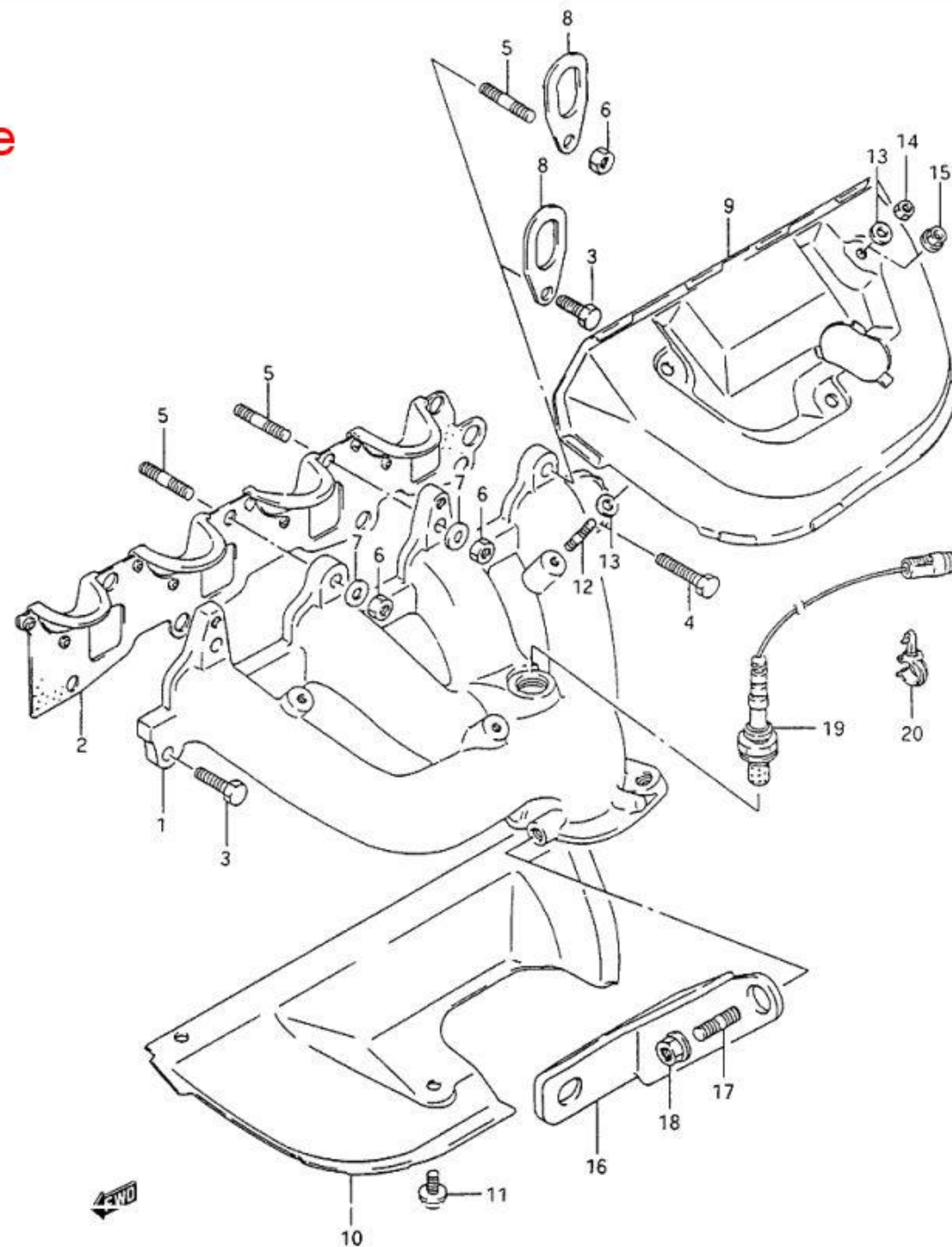
Image 1 of 1

Catalog
SE416 (MY:92-95) E03,33,63

Group
1-28

Callout>

8Valve
only



4 door only

Ref.No.	Part No.	Description	QTY V
1	14111-57X50	MANIFOLD, EXHAUST	1
2	14140-58B01	GASKET, EXHAUST MANIFOLD	1
3	01500-08253	BOLT	3
4	01500-08253	BOLT	1
5-1	01421-08253	STUD BOLT	3
5-2	01421-08253	STUD BOLT	7
6-1	08310-00083	NUT	3
6-2	08310-00083	NUT	7
7	08322-01083	WASHER	6
8-1	01421-08403	STUD BOLT	2
8-2	01421-08353	STUD BOLT	2
9	08310-00087	NUT	2
10	11851-57B02	HOOK, ENGINE	1

Top of List

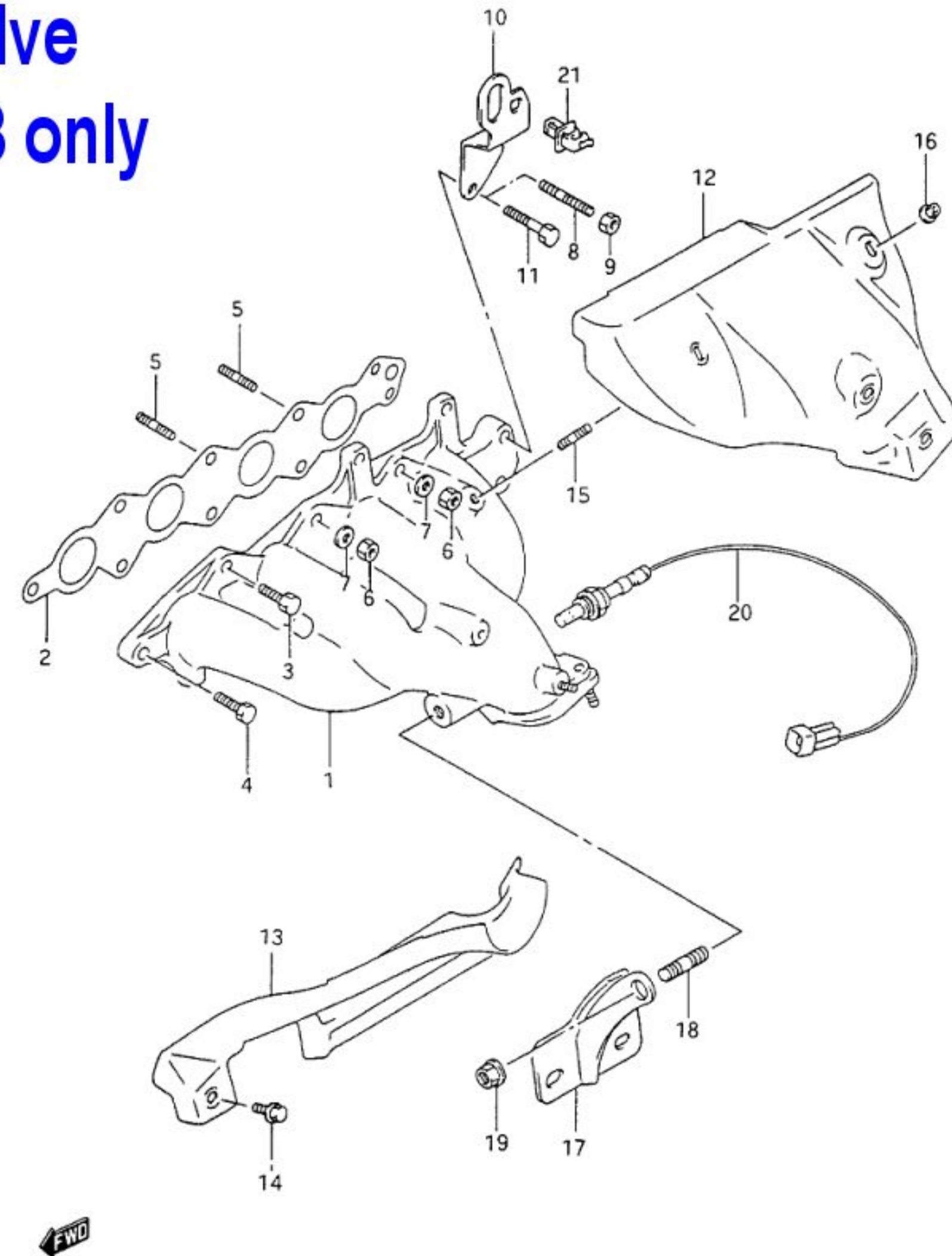
24 Records

Image 1 of 1

Catalog
SE416 (MY:92-95) E03,33,63

Group
1-30

Callout> ■

**16valve
92/93 only****Cast Iron
shorty**

31 EXHAUST MANIFOLD (V:93 MODEL:E33)

Ref.No.	Part No.	Description	QTY
1	14111-58B01	MANIFOLD, EXHAUST	1
2	14140-58B01	GASKET, EXHAUST MANIFOLD	1
3	01421-08253	STUD BOLT	7
4	08310-00083	NUT	7
5	08322-01083	WASHER	6
6	01421-08353	STUD BOLT	2
7	08310-00087	NUT	2
8	11851-57B02	HOOK, ENGINE	1
9	14120-58B01	COVER, MANIFOLD UPPER	1
10	14130-58B00	COVER, MANIFOLD LOWER	1
11	09103-06168	BOLT (6X10)	3
12	01411-06123	STUD BOLT	2
13	08316-10063	NUT	2
14	09103-06168	BOLT (6X10)	3
15	14270-58B00	STIFFENER, MANIFOLD	1
16	01411-10163	STUD BOLT	1

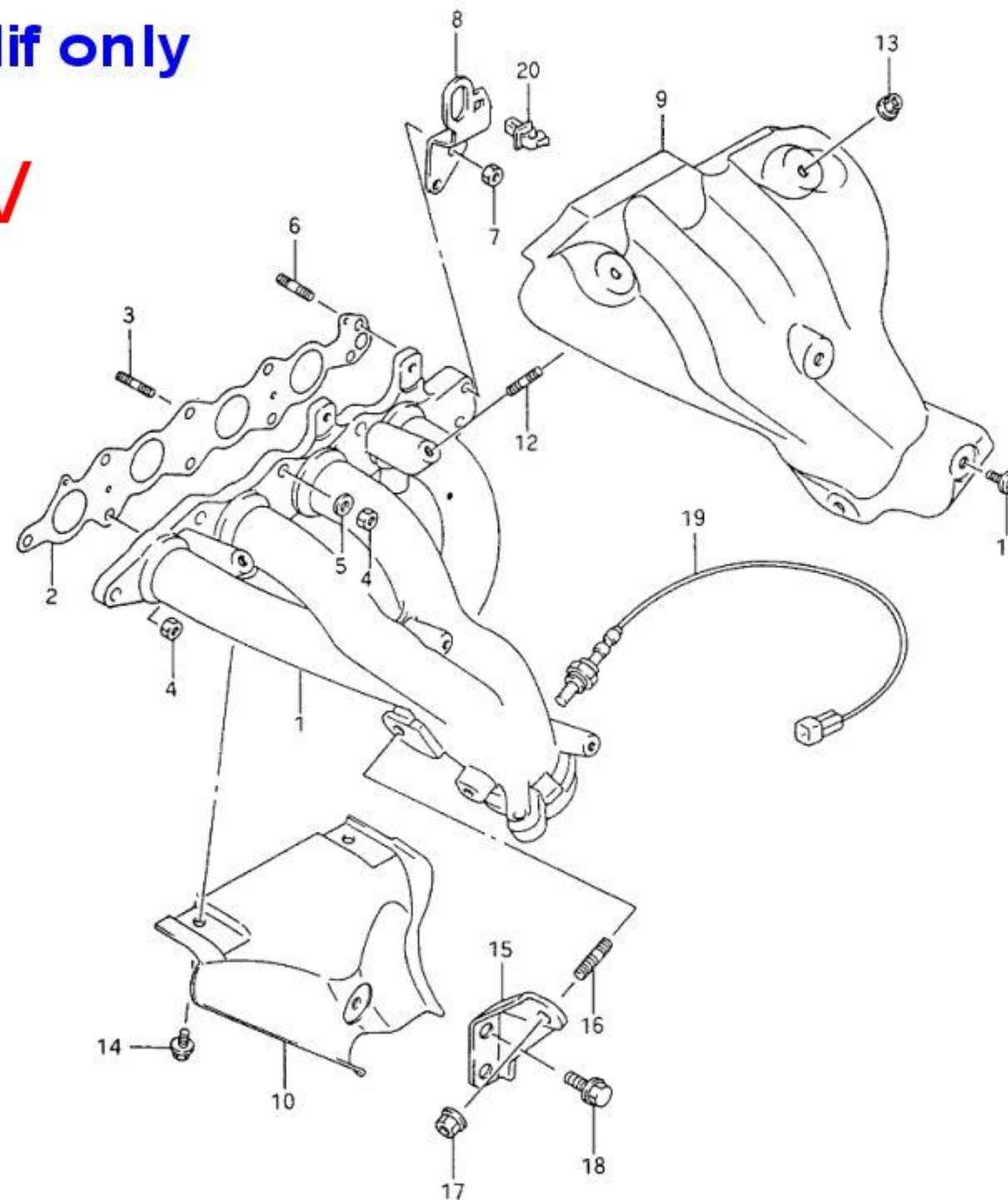
Top of List 20 Records Image 1 of 1

Catalog SE416 (MY:92-95) E03,33,63 Group 1-31

Callout> █

4dr Calif only

16V



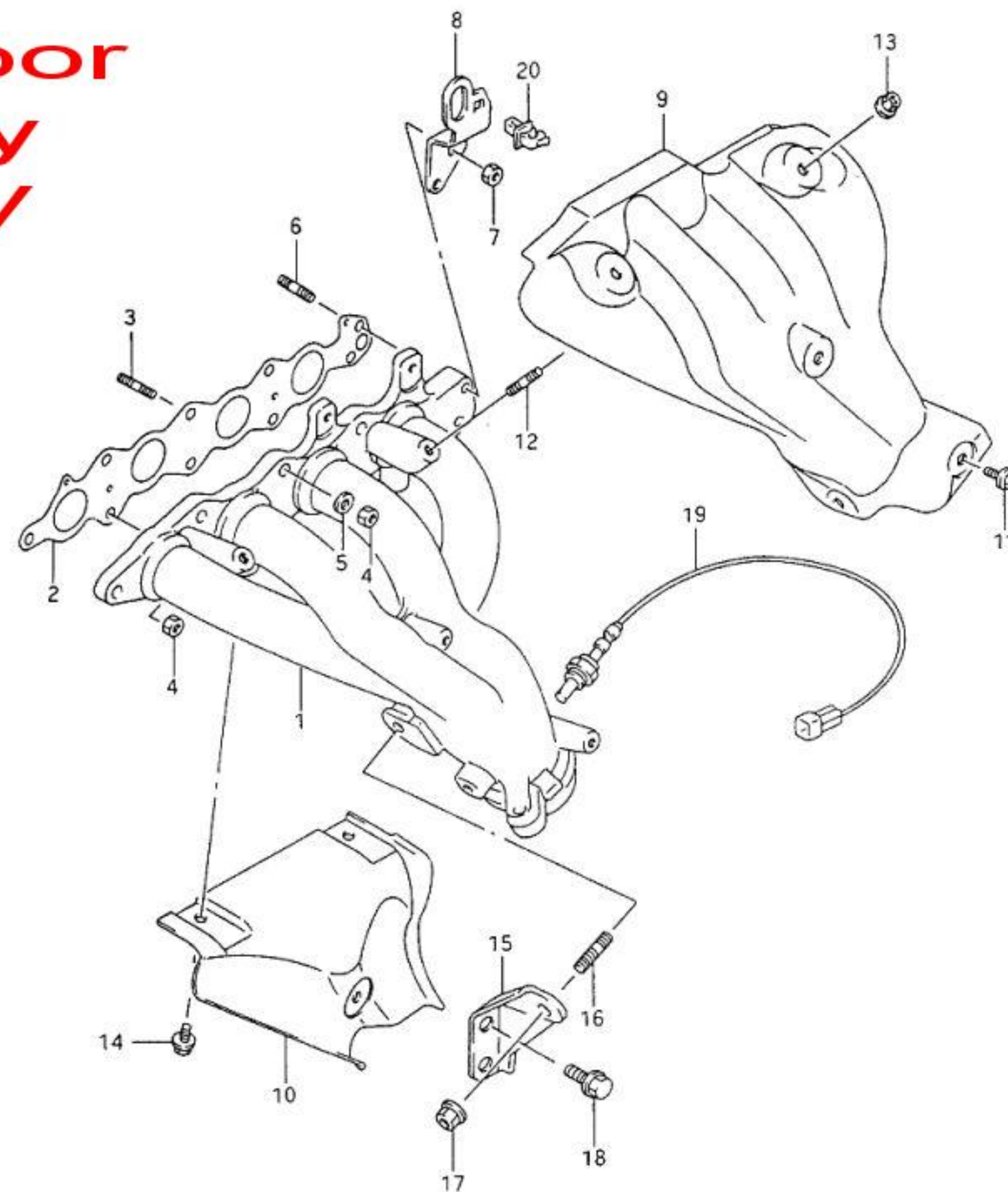
29 EXHAUST MANIFOLD (C:4 VALVE)

Ref.No.	Part No.	Description	QTY C
1	14111-58B01	MANIFOLD, EXHAUST	1
2	14140-58B01	GASKET, EXHAUST MANIFOLD	1
3	01421-08253	STUD BOLT	7
4	08310-00083	NUT	7
5	08322-01083	WASHER	6
6	01421-08353	STUD BOLT	2
7	08310-00083	NUT	2
8	11851-57B02	HOOK, ENGINE	1
9	14120-58B01	COVER, MANIFOLD UPPER	1
10	14130-58B00	COVER, MANIFOLD LOWER	1
11	09103-06168	BOLT (6X10)	3
12	01411-06123	STUD BOLT	2
13	08316-10063	NUT	2
14	09103-06168	BOLT (6X10)	3
15	14270-58B00	STIFFENER, MANIFOLD	1
16	01411-10163	STUD BOLT	1

Top of List 20 Records Image 1 of 1

Catalog SE416 (MY:92-95) E03,33,63 Group 1-29

2door
only
16V



35 MUFFLER (V:92,93 MODEL)

V = 4DR 16V

Ref.No.	Part No.	Description	QTY
1	14190-57B13	PIPE, EXHAUST NO.1 OLD	1
2	14181-60A20	GASKET, EXHAUST MANIFOLD	1
3	09108-10122	STUD BOLT	3
4	09159-10098	NUT	3
5	09159-10049	NUT	3
6	14250-56B02	PIPE, EXHAUST NO.2	1
7	14182-57B00	GASKET, EXHAUST PIPE	1
8-1	14284-57B30	BRACKET, EXHAUST PIPE	1
8-2	14284-57B00	BRACKET, EXHAUST PIPE	1
9	14284-57B11	BRACKET, EXHAUST PIPE	1
10	01997-10253	BOLT	2
11	08316-10103	NUT	2
12	14300-57B12	MUFFLER	1
13	14183-60A11	RING, SEAL	1
14	09119-10042	BOLT	2
15	14492-82600	SPRING	2

Top of List 21 Records

Image 1 of 1

Catalog SE416 (MY:92-95) E03,33,63

Group 1-35

Callout>

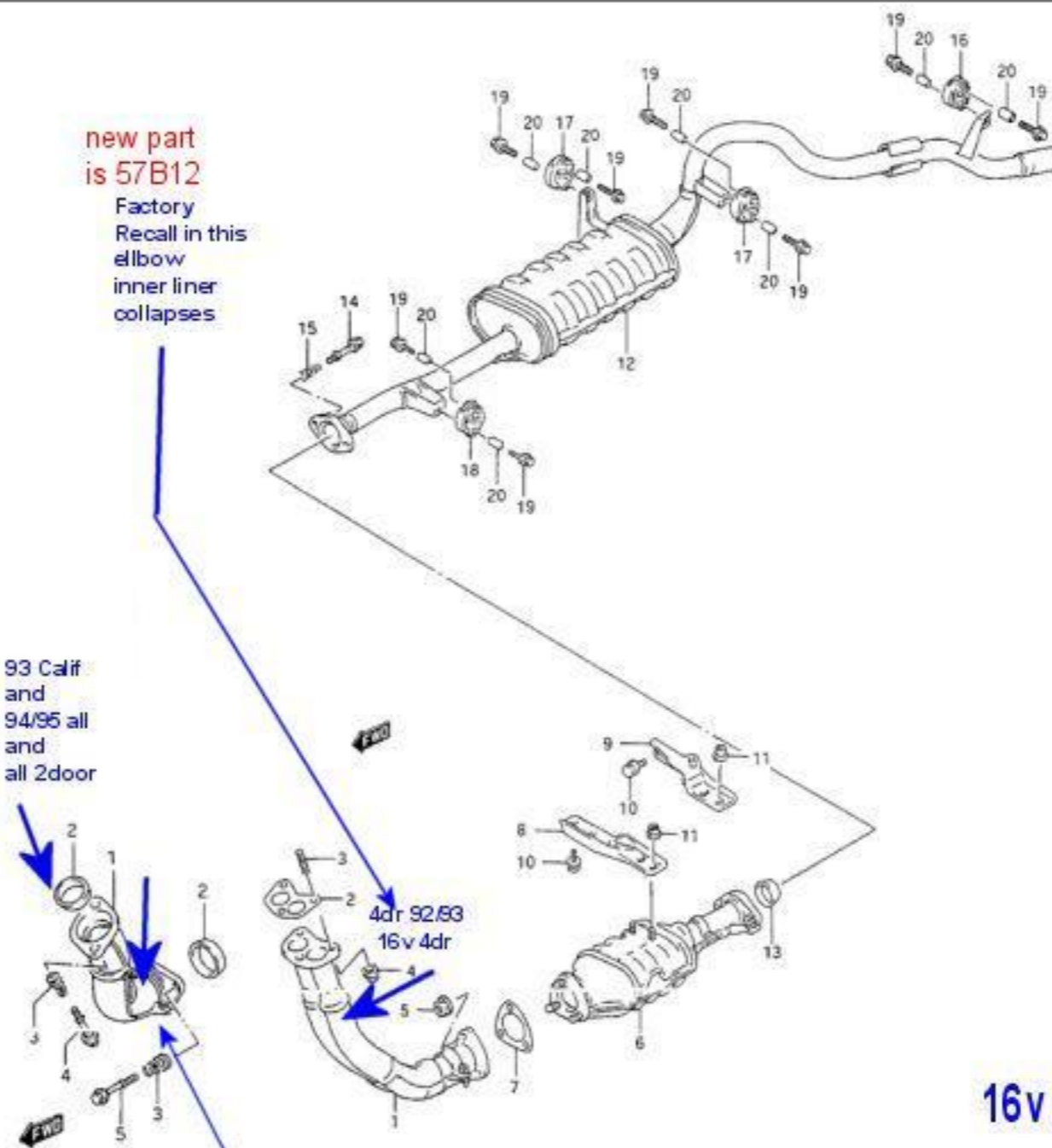
new part is 57B12
Factory Recall in this elbow inner liner collapses

93 Calif and 94/95 all and all 2door

4dr 92/93 16v 4dr

58B01

16v ONLY



Suzuki TSB SC-01 oct 92

32 EXHAUST MANIFOLD (V:94,95 MODEL)

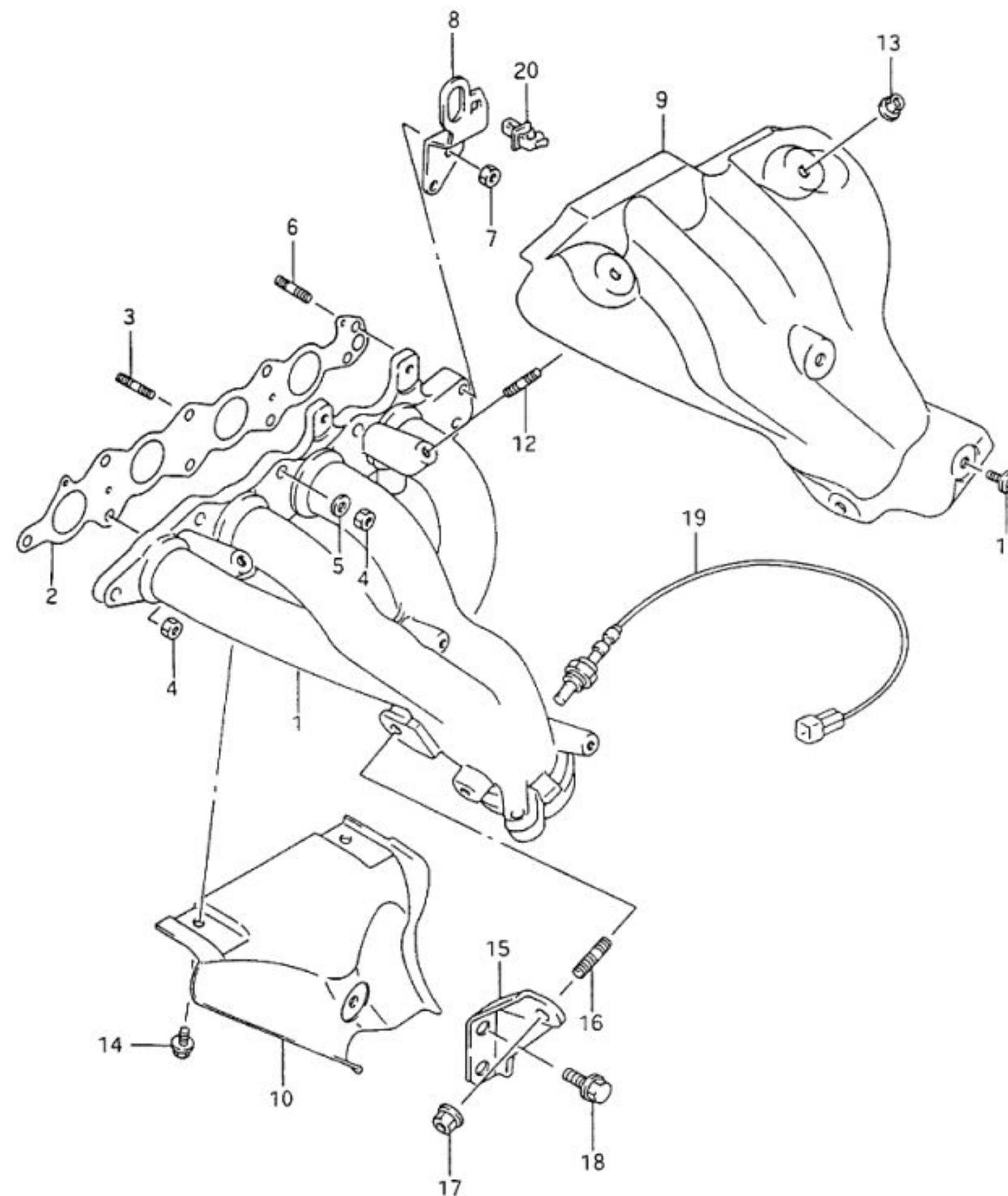
Ref.No.	Part No.	Description	QTY V
1	14111-58B01	MANIFOLD, EXHAUST	1
2	14140-58B01	GASKET, EXHAUST MANIFOLD	1
3	01421-08253	STUD BOLT	7
4	08310-00083	NUT	7
5	08322-01083	WASHER	6
6	01421-08353	STUD BOLT	2
7	08310-00083	NUT	2
8	11851-57B02	HOOK, ENGINE	1
9	14120-58B01	COVER, MANIFOLD UPPER	1
10	14130-58B00	COVER, MANIFOLD LOWER	1
11	09103-06168	BOLT (6X10)	3
12	01411-06123	STUD BOLT	2
13	08316-10063	NUT	2
14	09103-06168	BOLT (6X10)	3
15	14270-58B00	STIFFENER, MANIFOLD	1
16	01411-10163	STUD BOLT	1

Top of List 20 Records Image 1 of 1

Catalog SE416 (MY:92-95) E03,33,63 Group 1-32

Callout>

**4dr
16v**



**Long tubes
not cast iron**

1996-98 16v 2/4 doors

29 EXHAUST MANIFOLD (SE416)

Ref.No.	Part No.	Description	QTY	
			C	V
1	14111-58BV0	MANIFOLD, EXHAUST	1	1
2	14140-52G00	GASKET, EXHAUST MANIFOLD	1	1
3	01421-08253	STUD BOLT	7	7
4	08310-00083	NUT	7	7
5	08322-01083	WASHER	6	6
6	01421-08353	STUD BOLT	2	2
7	08310-00083	NUT	2	2
8	11851-66D01	HOOK, ENGINE	1	1
9	14120-58B02	COVER, MANIFOLD UPPER	1	1
10	14130-58B00	COVER, MANIFOLD LOWER	1	1
11	09103-06168	BOLT (6X10)	3	3
12	01411-06123	STUD BOLT	2	2
13	08316-10063	NUT	2	2
14	09103-06168	BOLT (6X10)	3	3
15	14270-58B00	STIFFENER, MANIFOLD	1	1
16	01411-10163	STUD BOLT	1	1

Top of List

20 Records

Image 1 of 1

Catalog
SE416 (MY:96-98) E03,33,63

Group
1-29

Callout>

